



US00D611292S

(12) **United States Design Patent**
Chung

(10) **Patent No.:** **US D611,292 S**
(45) **Date of Patent:** **** Mar. 9, 2010**

(54) **BARBECUE GRILL**

D549,038 S * 8/2007 Chung D7/337
D573,399 S * 7/2008 Chung D7/337

(76) Inventor: **Kiosky Chung**, No. 72, Chaoguei Rd.,
Situn District, Taichung City 407 (TW)

* cited by examiner

(**) Term: **14 Years**

Primary Examiner—Ruth McInroy
(74) *Attorney, Agent, or Firm*—Banger Shia

(21) Appl. No.: **29/341,365**

(57) **CLAIM**

(22) Filed: **Aug. 4, 2009**

I claim the ornamental design for a barbecue grill, as shown and described.

(51) **LOC (9) Cl.** **15-05**

(52) **U.S. Cl.** **D7/337**

(58) **Field of Classification Search** D7/402,
D7/403, 407, 409, 332, 337; 126/40, 43,
126/44, 50, 9 R, 25 A, 41 R; 99/445, 448
See application file for complete search history.

DESCRIPTION

FIG. 1 is a perspective view of a barbecue grill, showing my new design;

FIG. 2 is a front elevational view thereof;

FIG. 3 is a rear elevational view thereof;

FIG. 4 is a left side elevational view thereof;

FIG. 5 is a right side elevational view thereof;

FIG. 6 is a top plan view thereof; and,

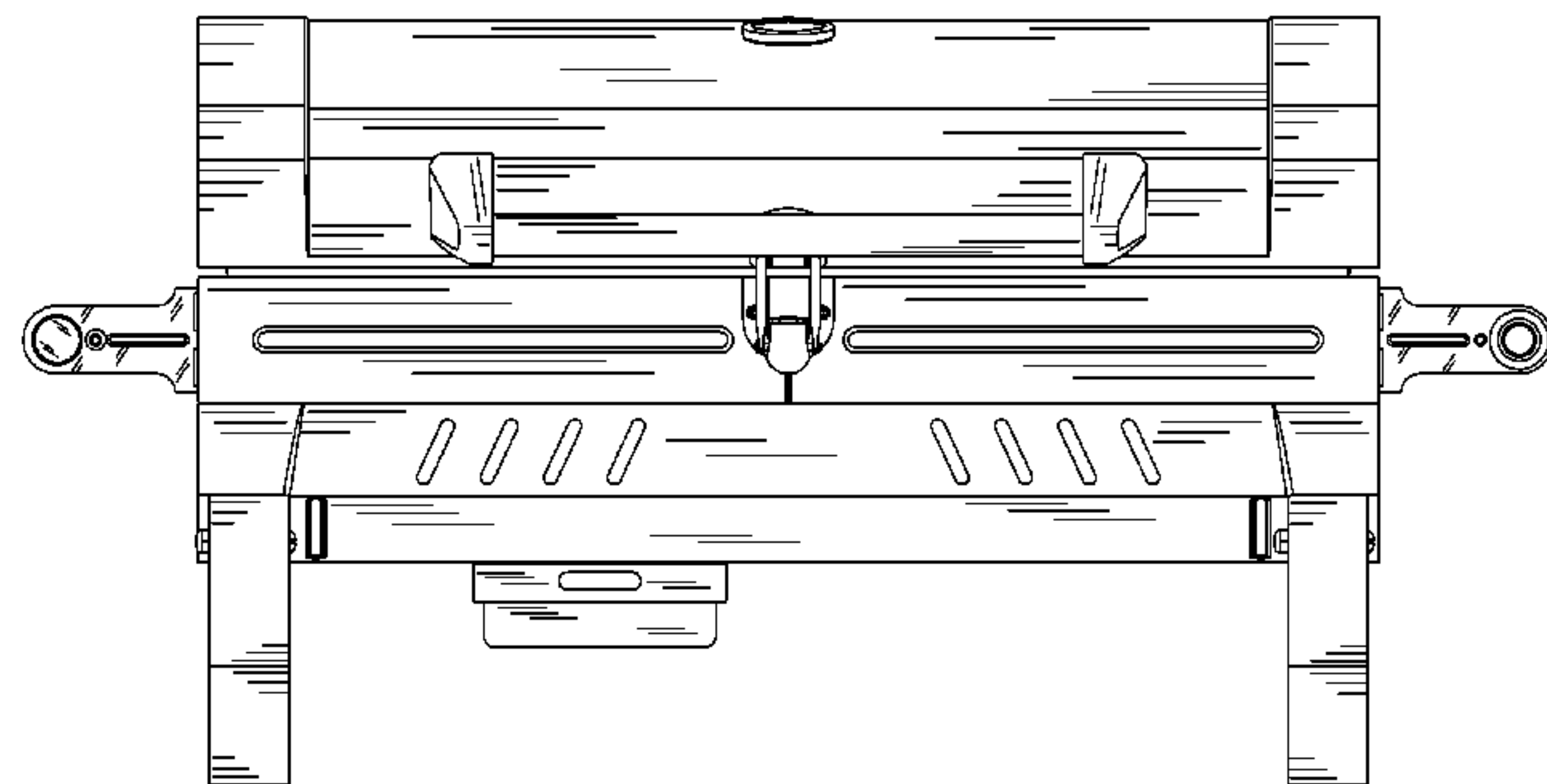
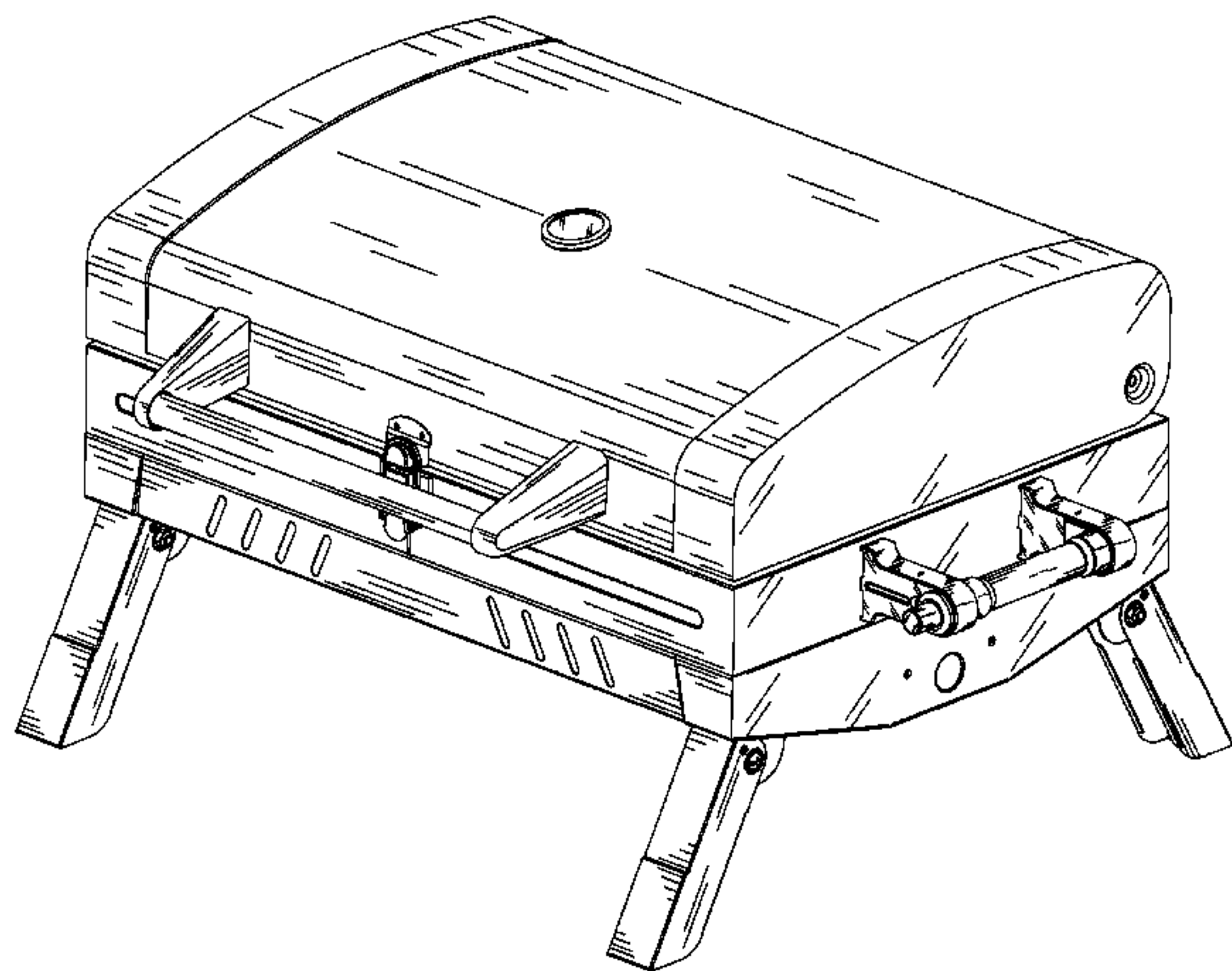
FIG. 7 is a bottom plan view thereof.

(56) **References Cited**

U.S. PATENT DOCUMENTS

D455,598 S * 4/2002 Pai D7/337
D498,113 S * 11/2004 Zhang D7/332
D499,299 S * 12/2004 Zhang D7/337
D511,433 S * 11/2005 Zhang D7/337
D516,368 S * 3/2006 Zhang D7/337

1 Claim, 7 Drawing Sheets



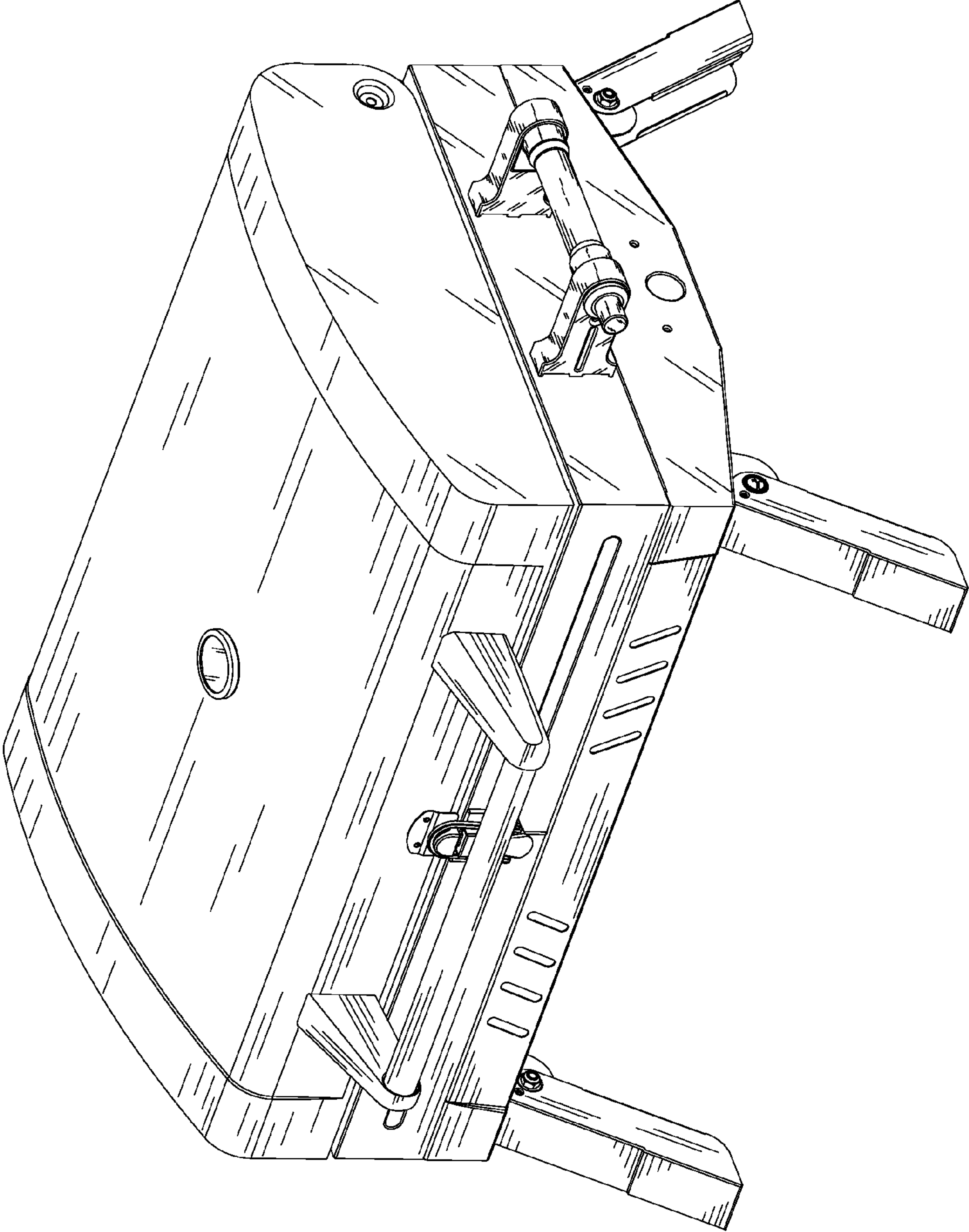


FIG. 1

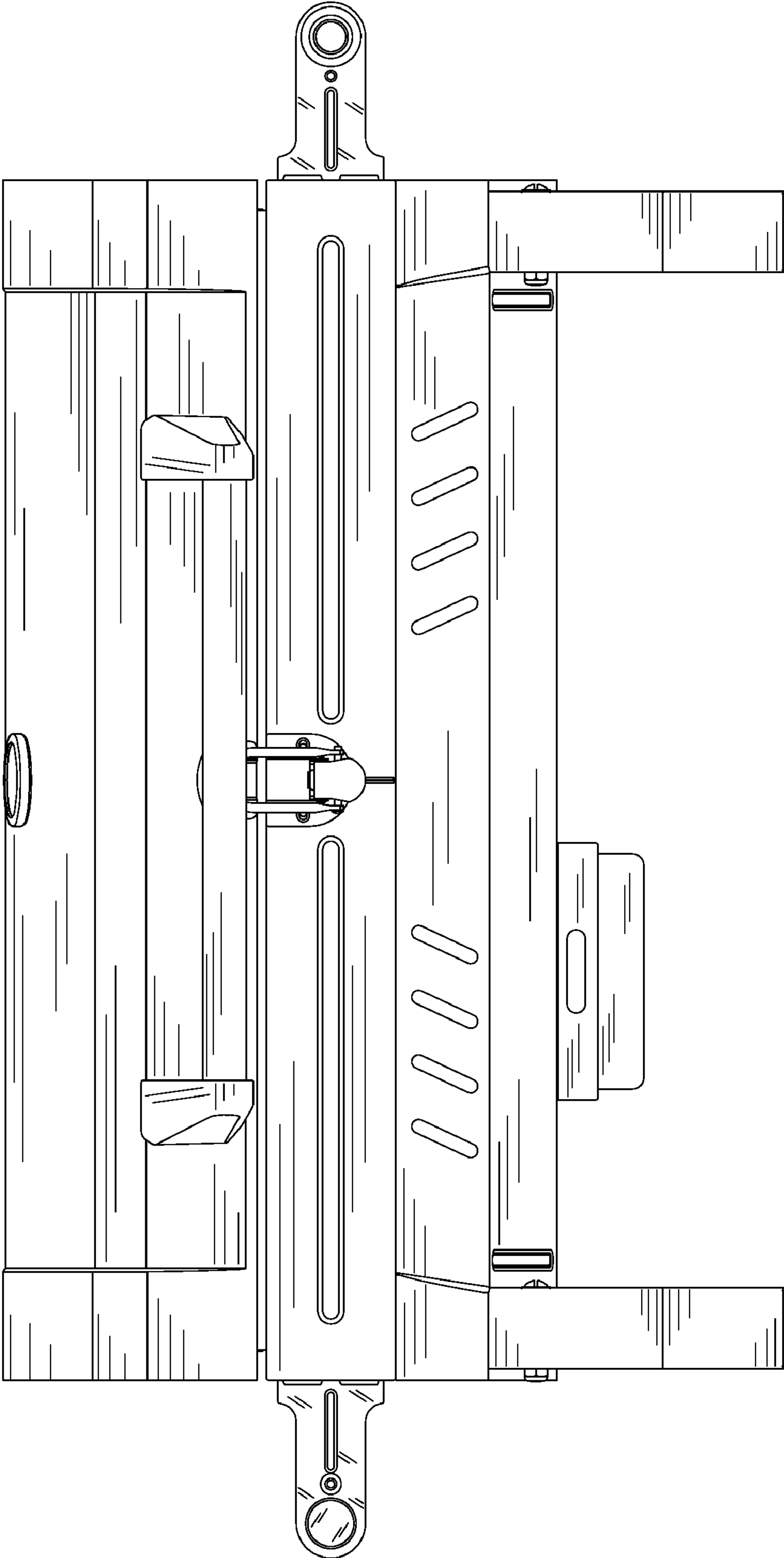


FIG. 2

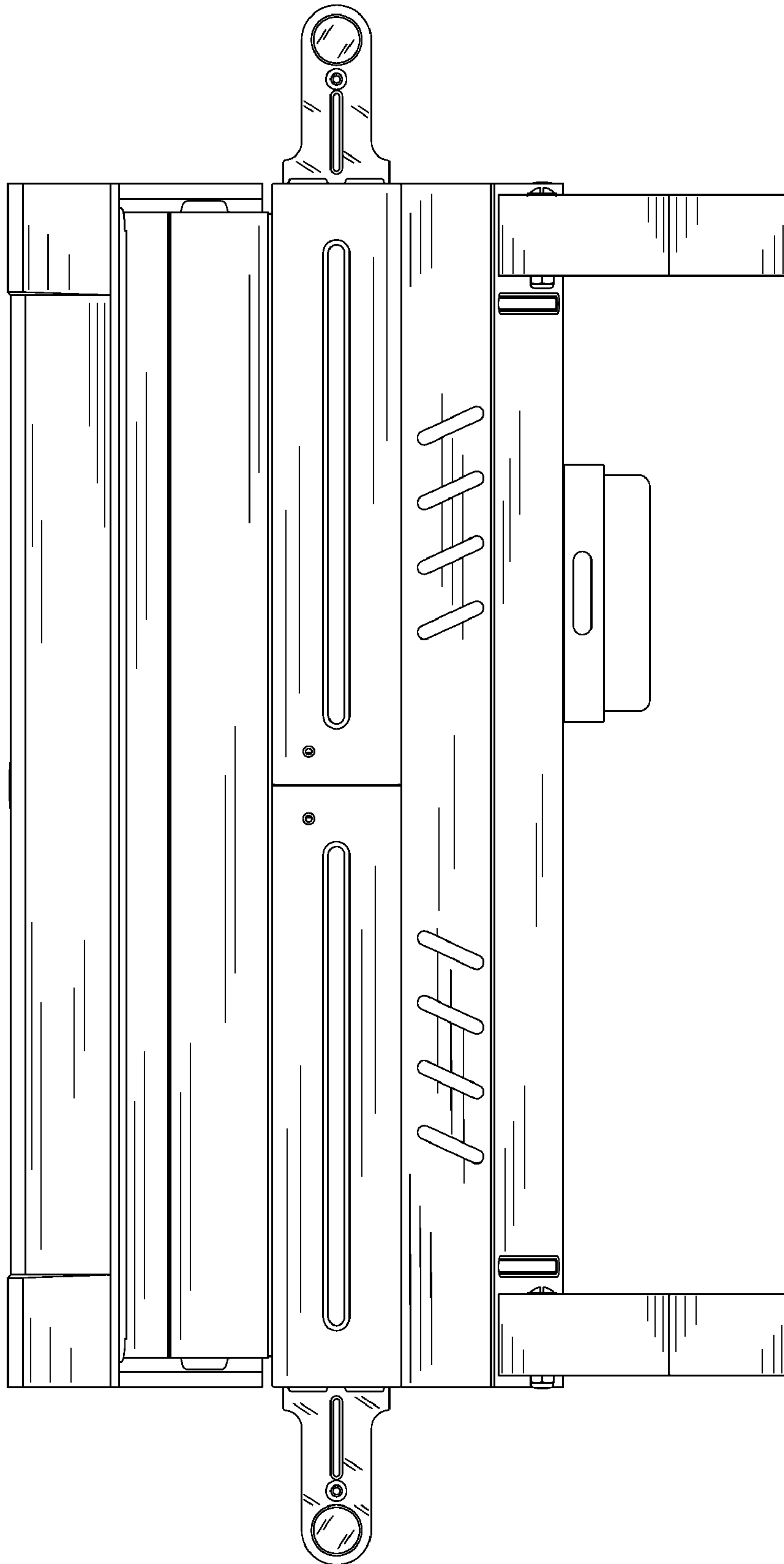


FIG. 3

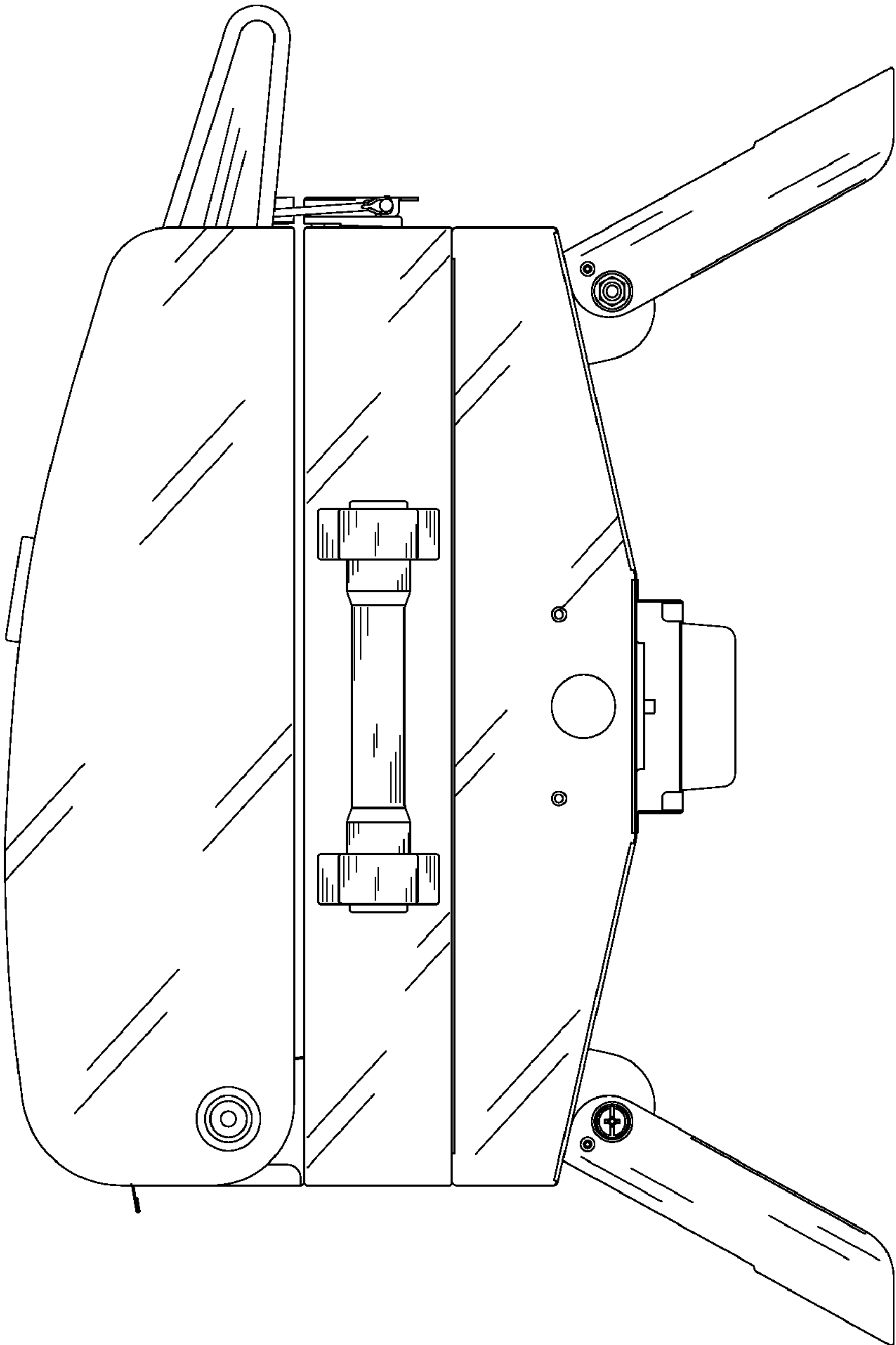


FIG. 4

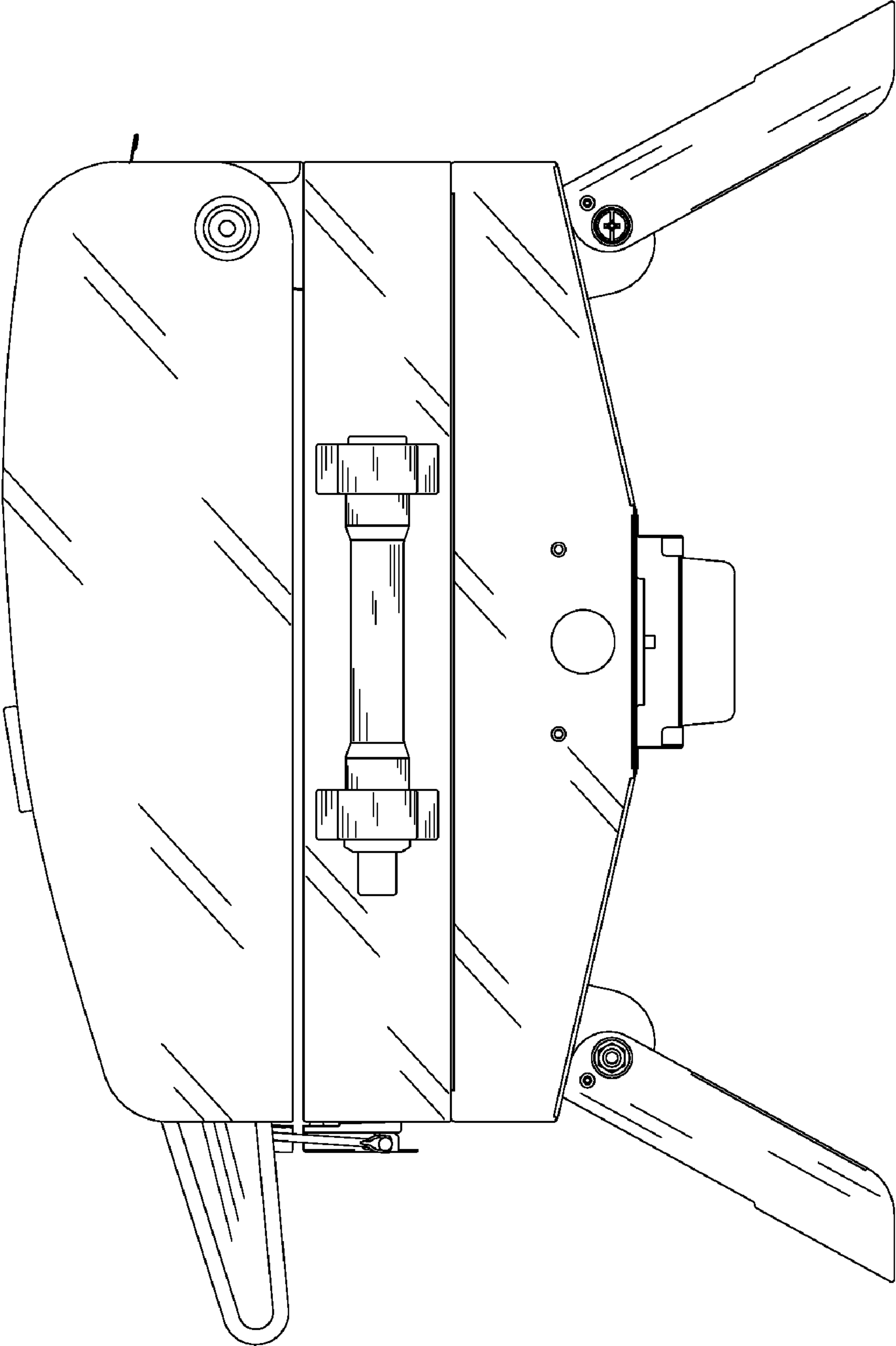


FIG. 5

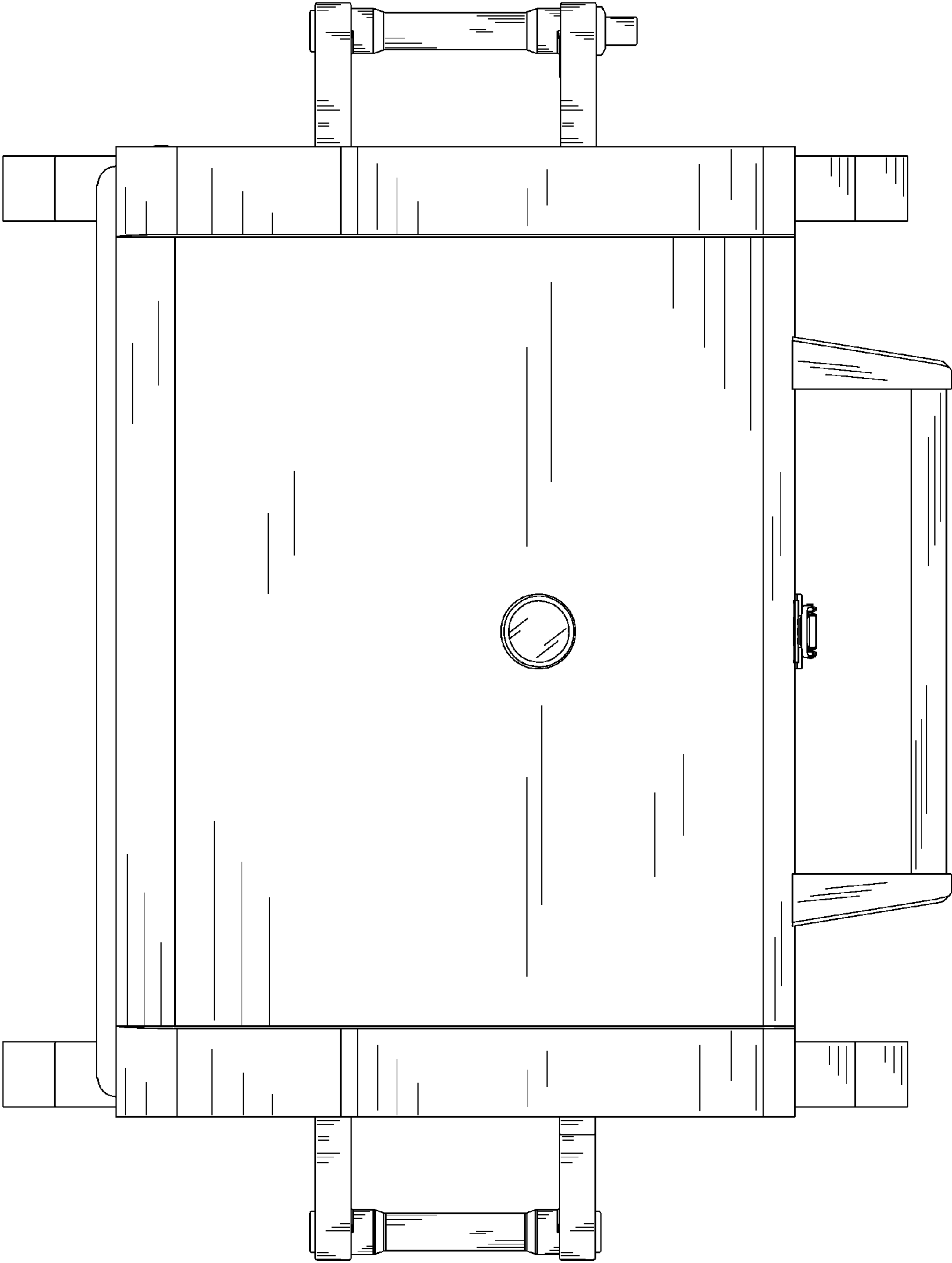


FIG. 6

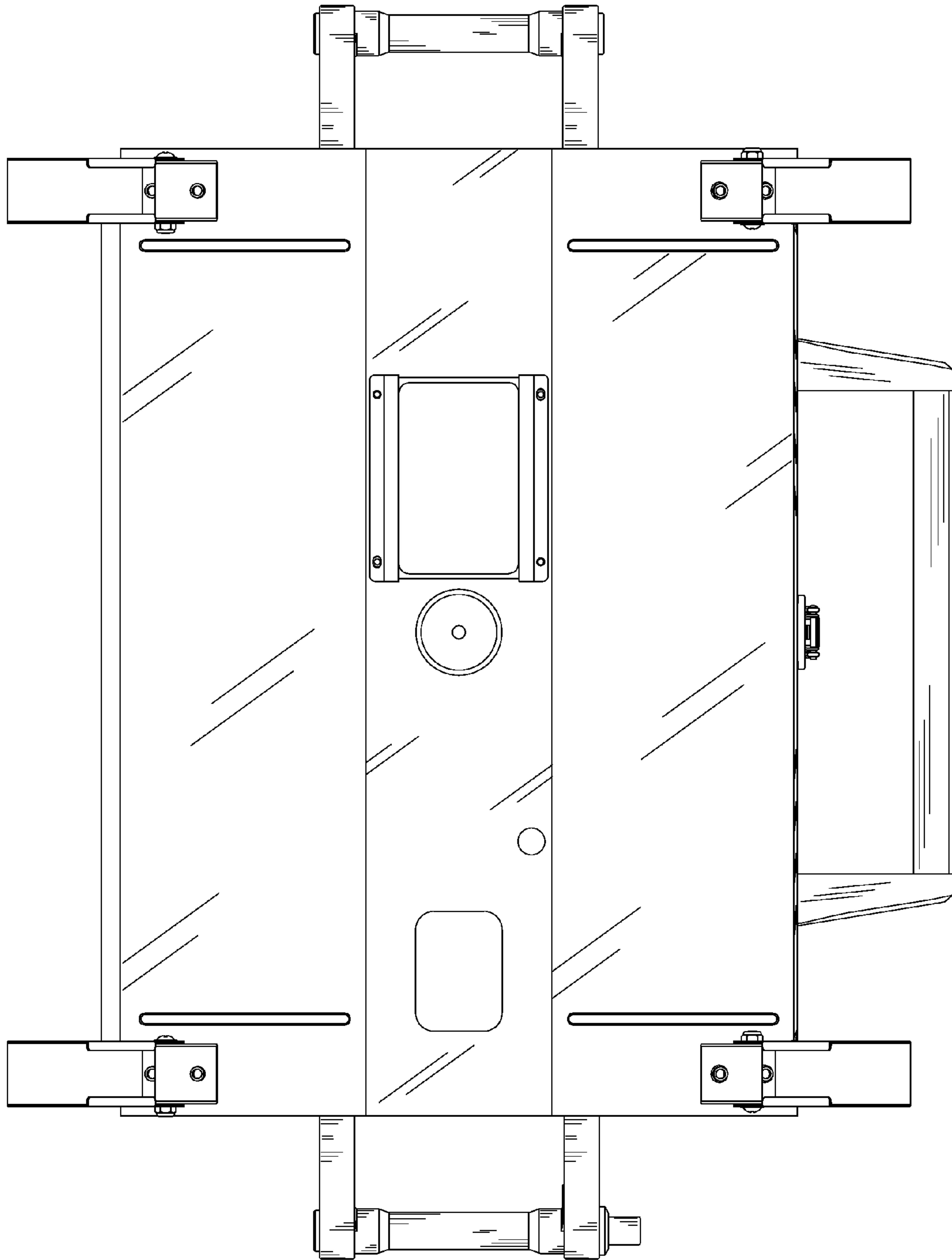


FIG. 7