



US00D611291S

(12) **United States Design Patent**
Chung

(10) **Patent No.:** **US D611,291 S**
(45) **Date of Patent:** **** Mar. 9, 2010**

(54) **BARBECUE GRILL**

(76) Inventor: **Kiosky Chung**, No. 72, Chaoguei Rd.,
Situn District, Taichung City 407 (TW)

(**) Term: **14 Years**

(21) Appl. No.: **29/341,357**

(22) Filed: **Aug. 4, 2009**

(51) **LOC (9) Cl.** **15-05**

(52) **U.S. Cl.** **D7/337**

(58) **Field of Classification Search** D7/402,
D7/403, 407, 409, 332, 337; 126/40, 43,
126/44, 50, 9 R, 25 A, 41 R; 99/445, 448,
99/450, 372

See application file for complete search history.

(56) **References Cited**

U.S. PATENT DOCUMENTS

| | | | | | |
|-----------|-----|---------|--------------|-------|----------|
| 1,540,434 | A * | 6/1925 | Stone | | 126/9 R |
| 2,959,165 | A * | 11/1960 | Mark | | 126/9 R |
| 3,306,281 | A * | 2/1967 | Hoebel | | 126/25 R |
| 3,375,816 | A * | 4/1968 | Chesnut, Jr. | | 126/25 R |
| 3,438,363 | A * | 4/1969 | Milbrandt | | 126/9 R |
| 3,828,759 | A * | 8/1974 | Cooper | | 126/9 R |
| D274,686 | S * | 7/1984 | Ambler | | D7/337 |
| 4,457,290 | A * | 7/1984 | Edwards | | 126/9 R |
| 4,475,528 | A * | 10/1984 | Kuchenbrod | | 126/9 R |
| D277,541 | S * | 2/1985 | Espinda | | D7/337 |
| D285,401 | S * | 9/1986 | Erickson | | D7/332 |

| | | | | | |
|----------|-----|---------|----------------|-------|--------|
| D290,923 | S * | 7/1987 | Erickson | | D7/337 |
| D337,477 | S * | 7/1993 | Garza | | D7/332 |
| D356,005 | S * | 3/1995 | Goble | | D7/337 |
| D362,585 | S * | 9/1995 | Thompson | | D7/337 |
| D370,387 | S * | 6/1996 | Dorvall et al. | | D7/332 |
| D423,867 | S * | 5/2000 | Cael et al. | | D7/332 |
| D569,180 | S * | 5/2008 | Rathburn | | D7/409 |
| D579,260 | S * | 10/2008 | Zischke | | D7/332 |
| D586,610 | S * | 2/2009 | Hu | | D7/337 |

* cited by examiner

Primary Examiner—Ruth McInroy

(74) *Attorney, Agent, or Firm*—Banger Shia

(57) **CLAIM**

I claim the ornamental design for a barbecue grill, as shown and described.

DESCRIPTION

FIG. 1 is a perspective view of a barbecue grill, showing my new design;

FIG. 2 is a front elevational view thereof;

FIG. 3 is a rear elevational view thereof;

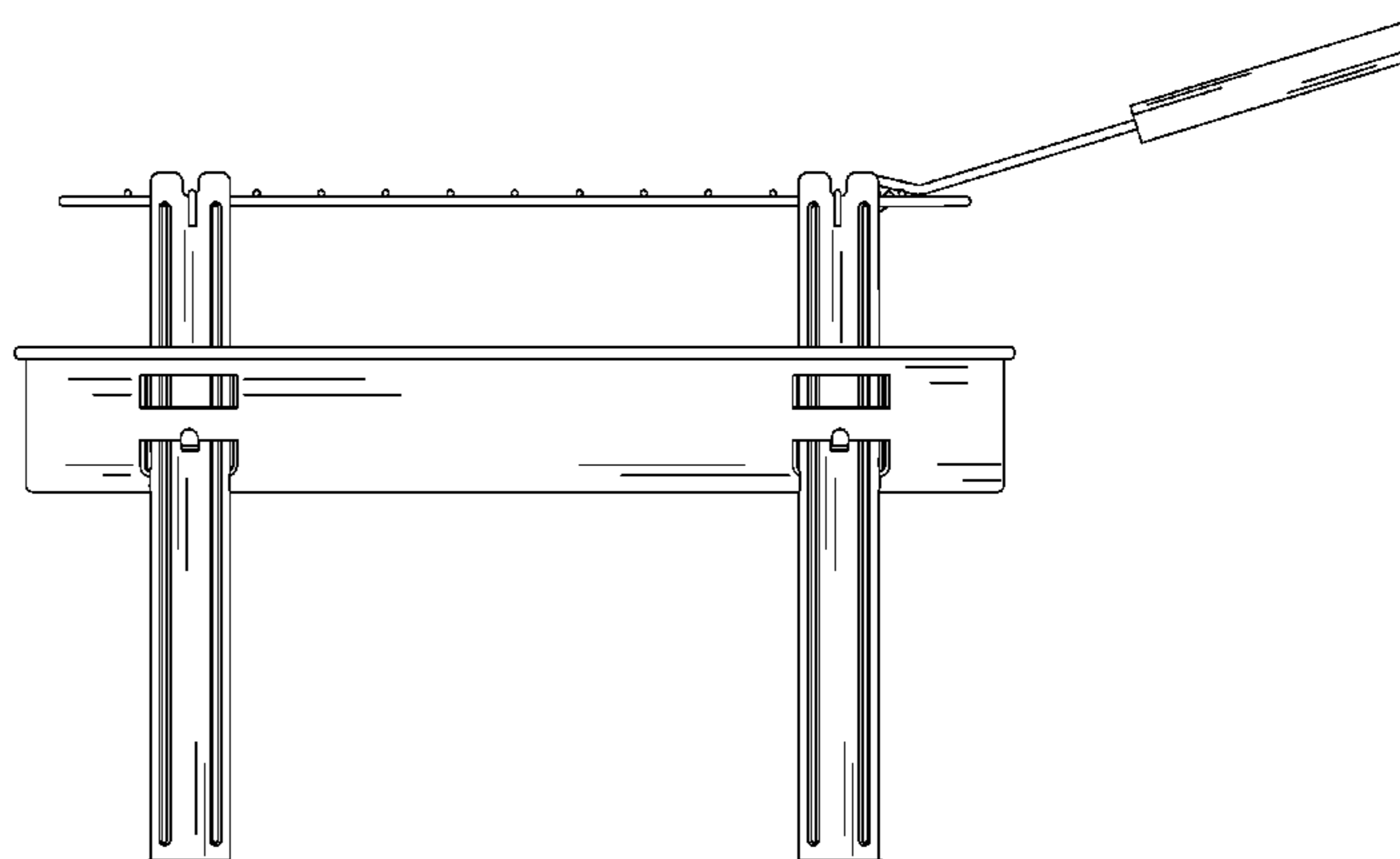
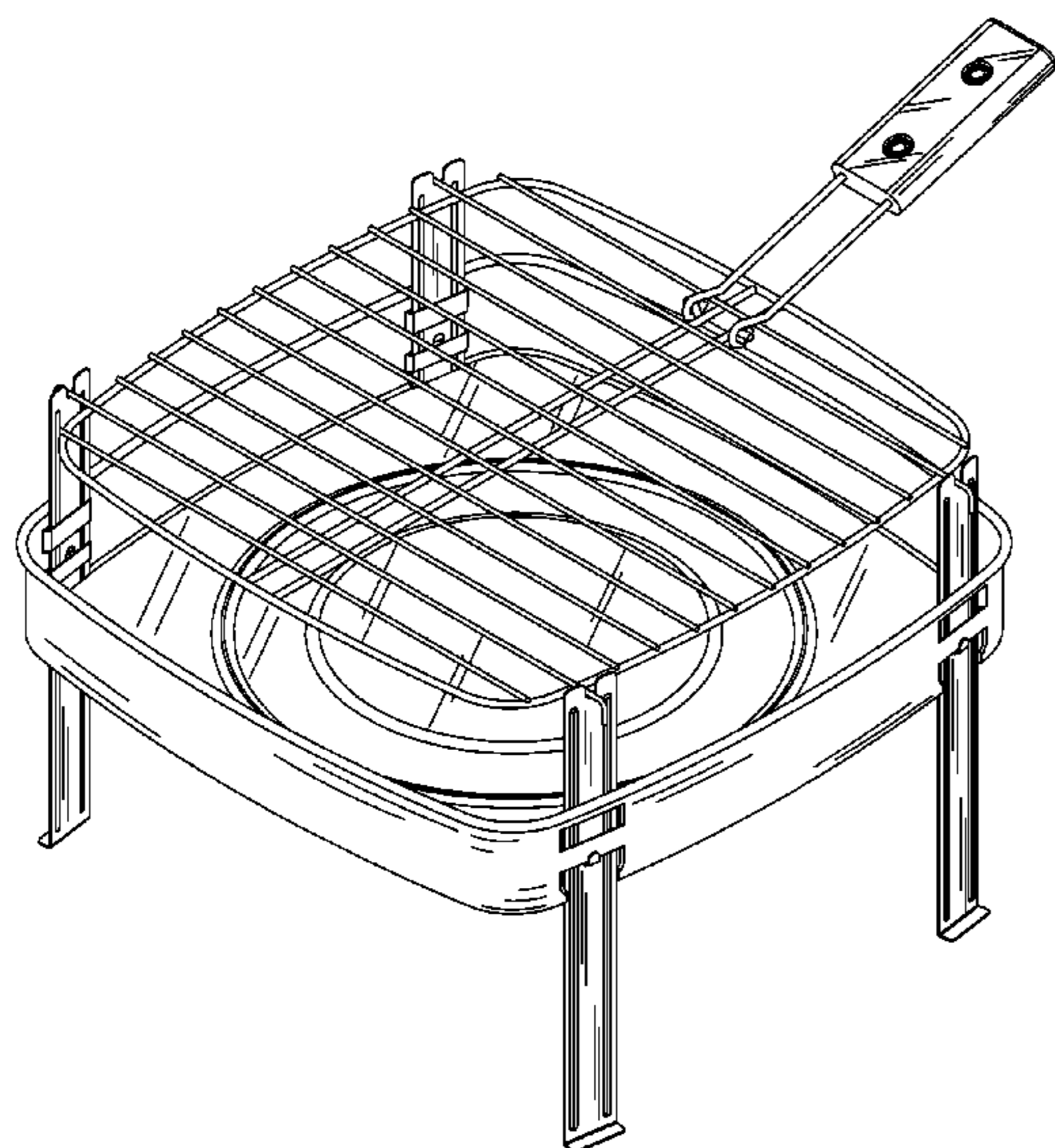
FIG. 4 is a left side elevational view thereof;

FIG. 5 is a right side elevational view thereof;

FIG. 6 is a top plan view thereof; and,

FIG. 7 is a bottom plan view thereof.

1 Claim, 7 Drawing Sheets



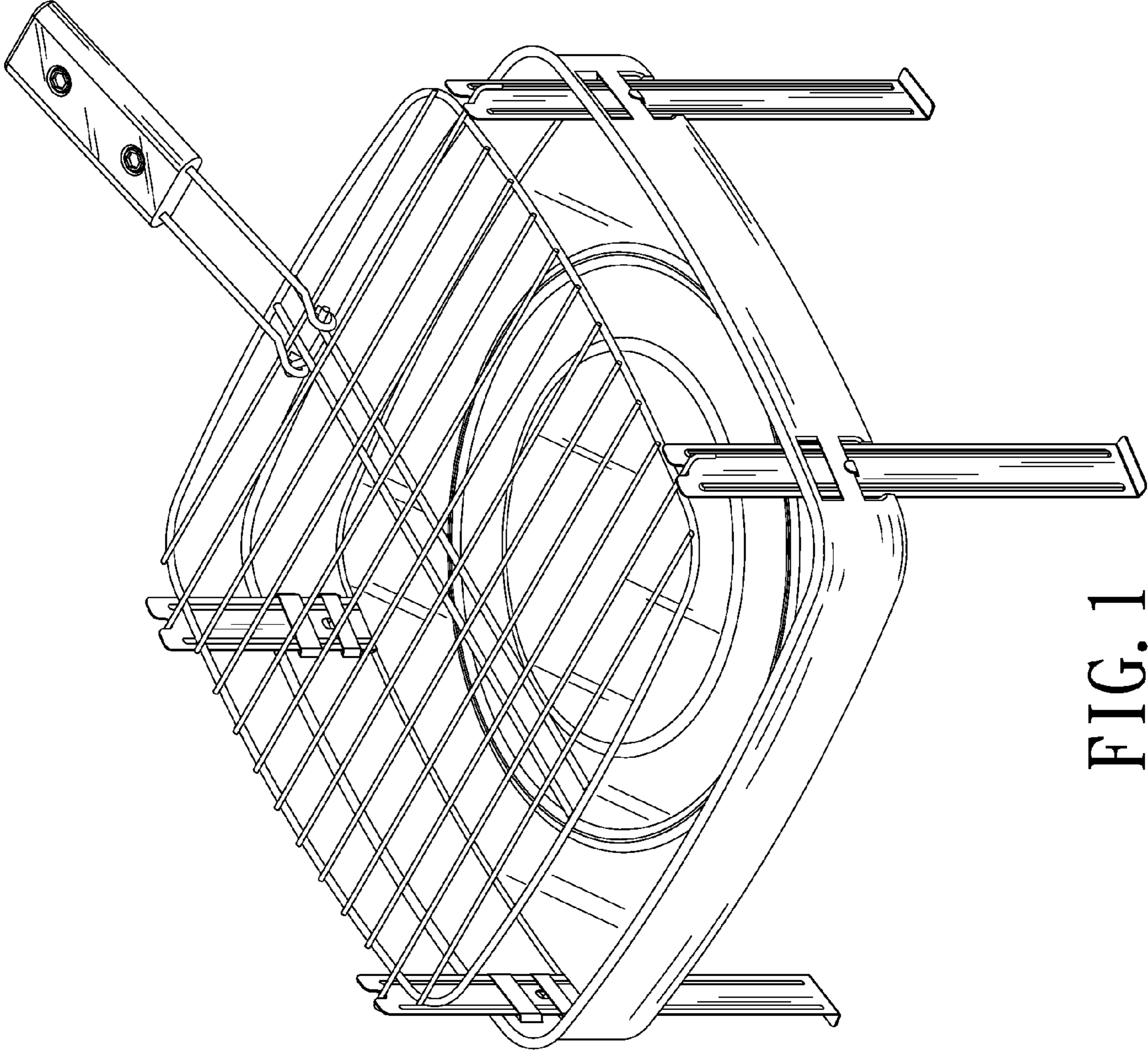


FIG. 1

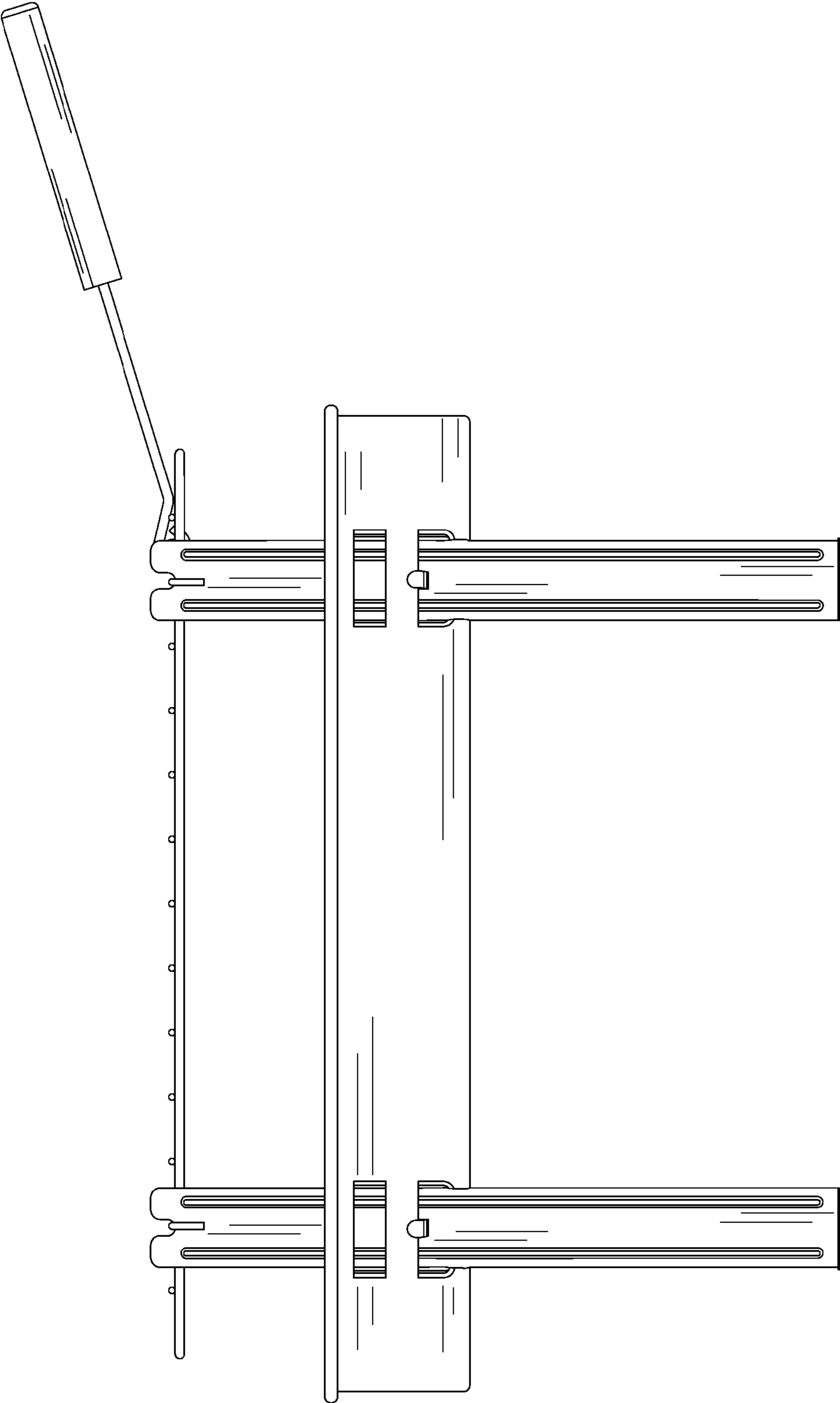


FIG. 2

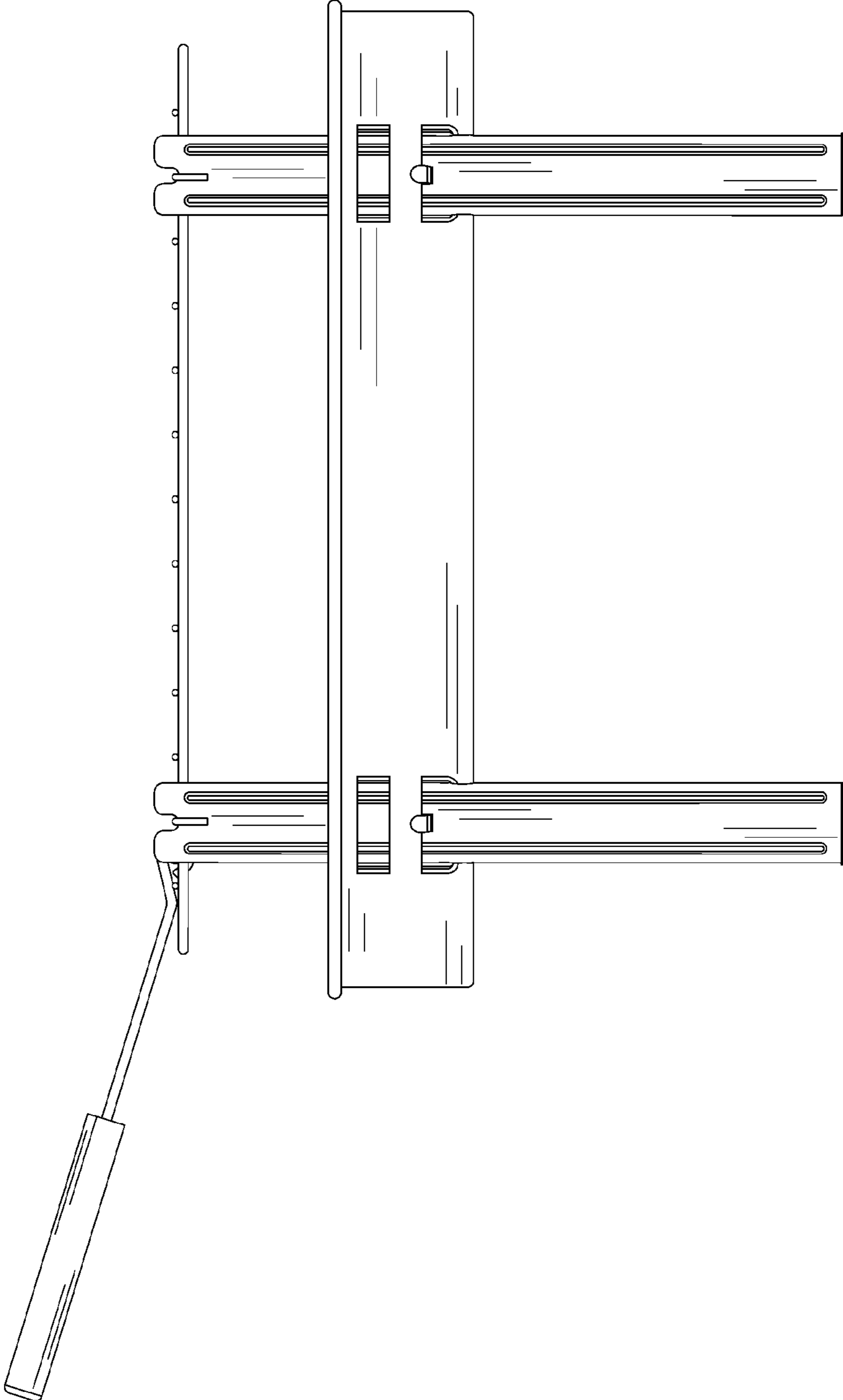


FIG. 3

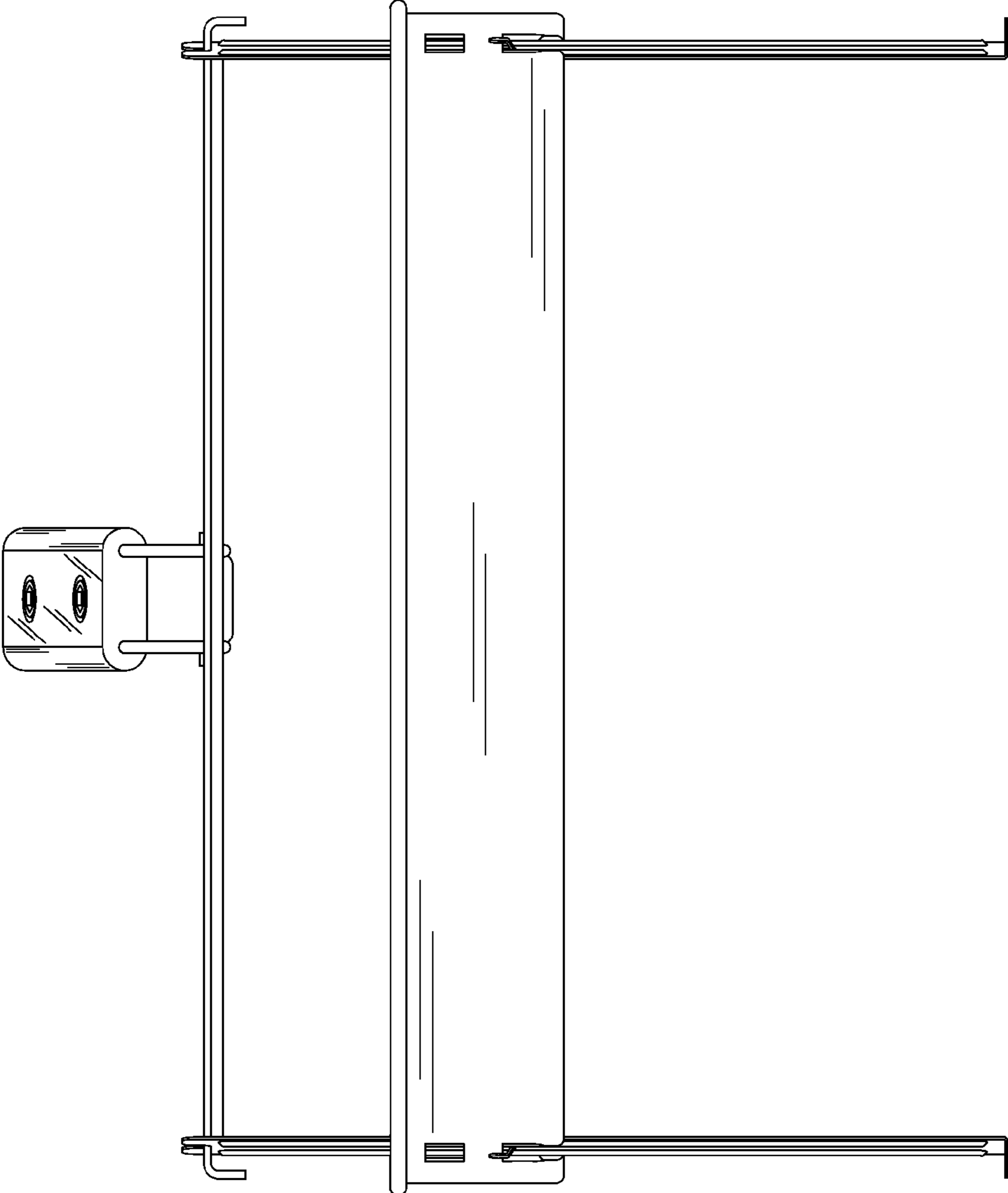


FIG. 4

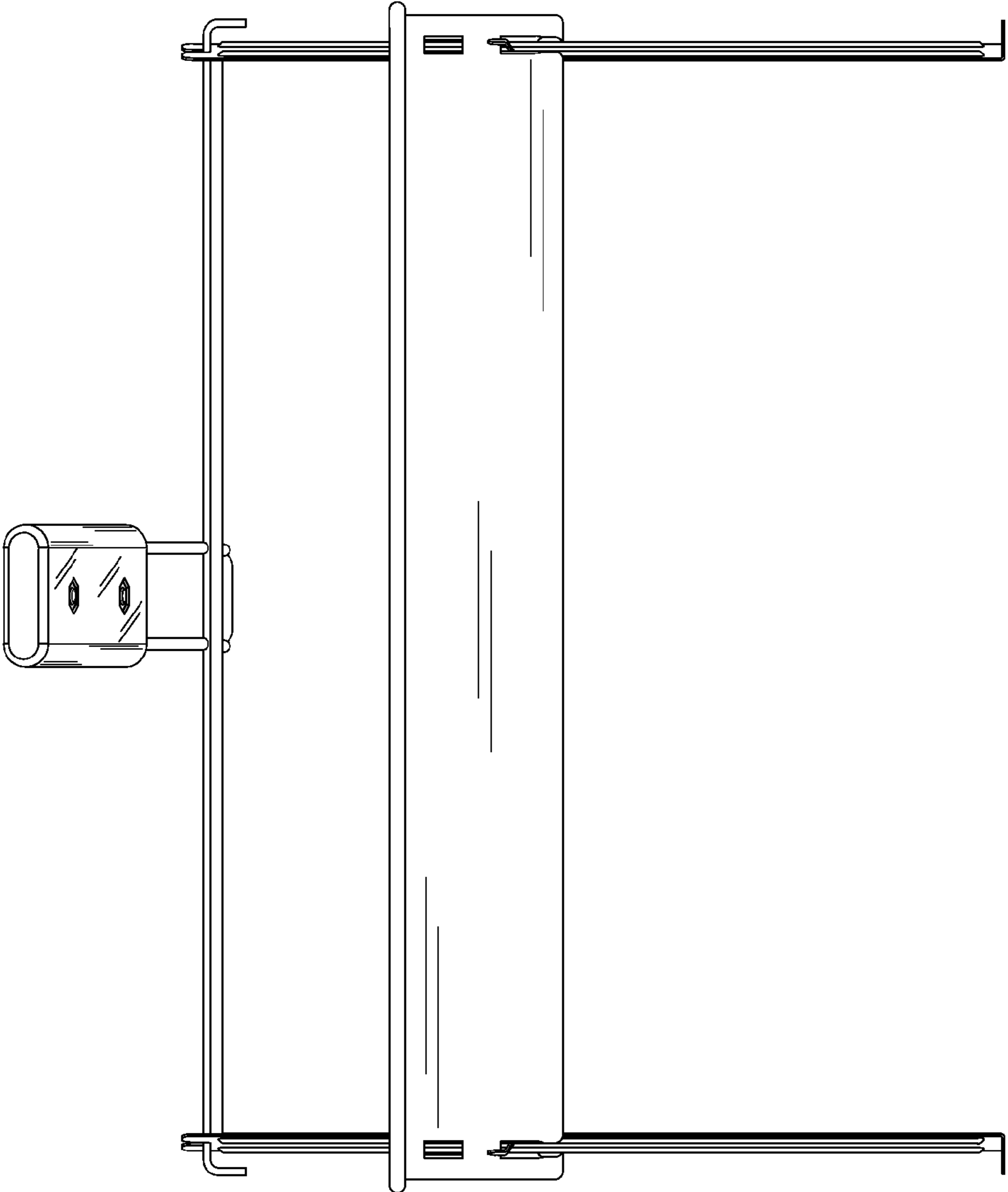


FIG. 5

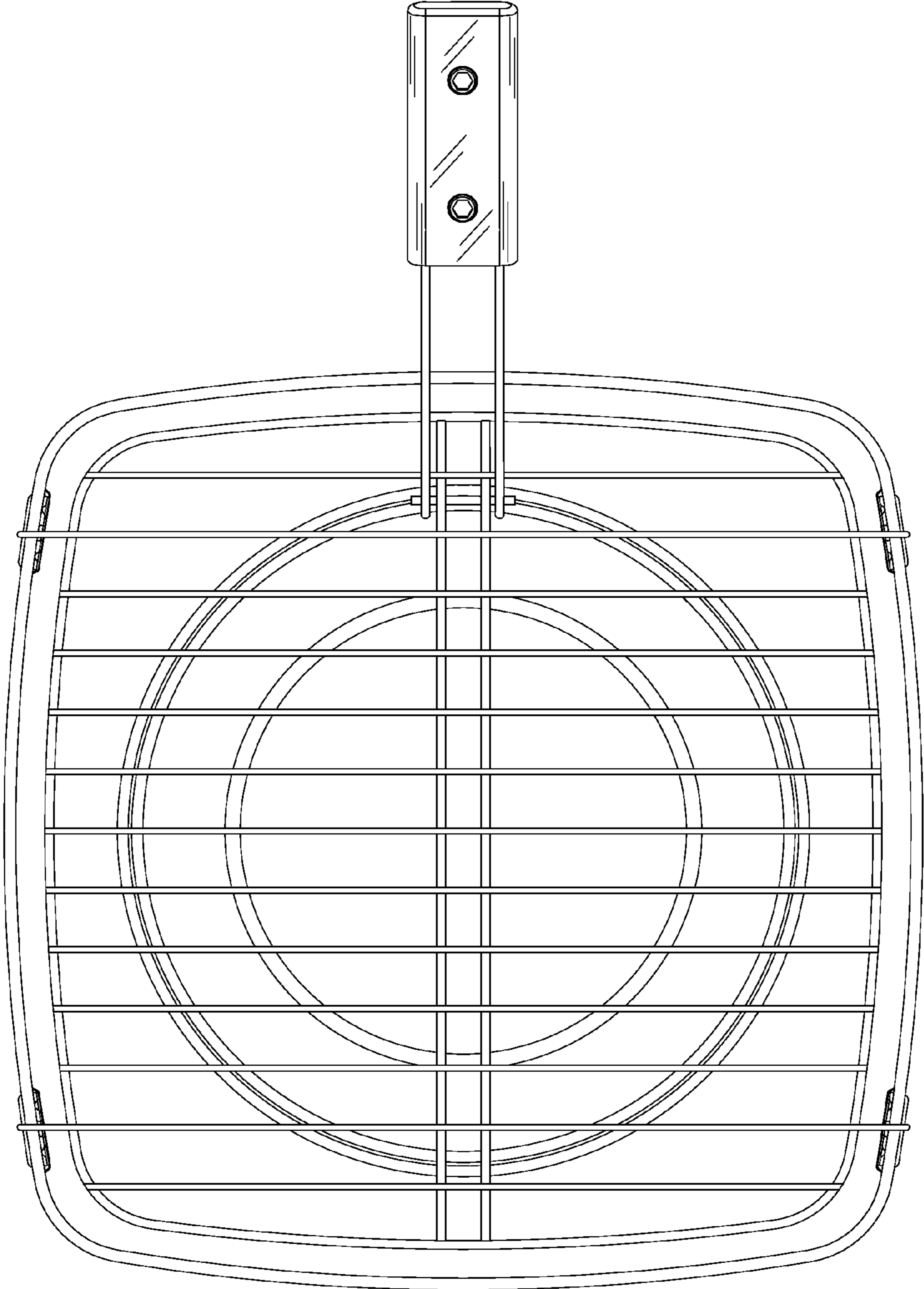


FIG. 6

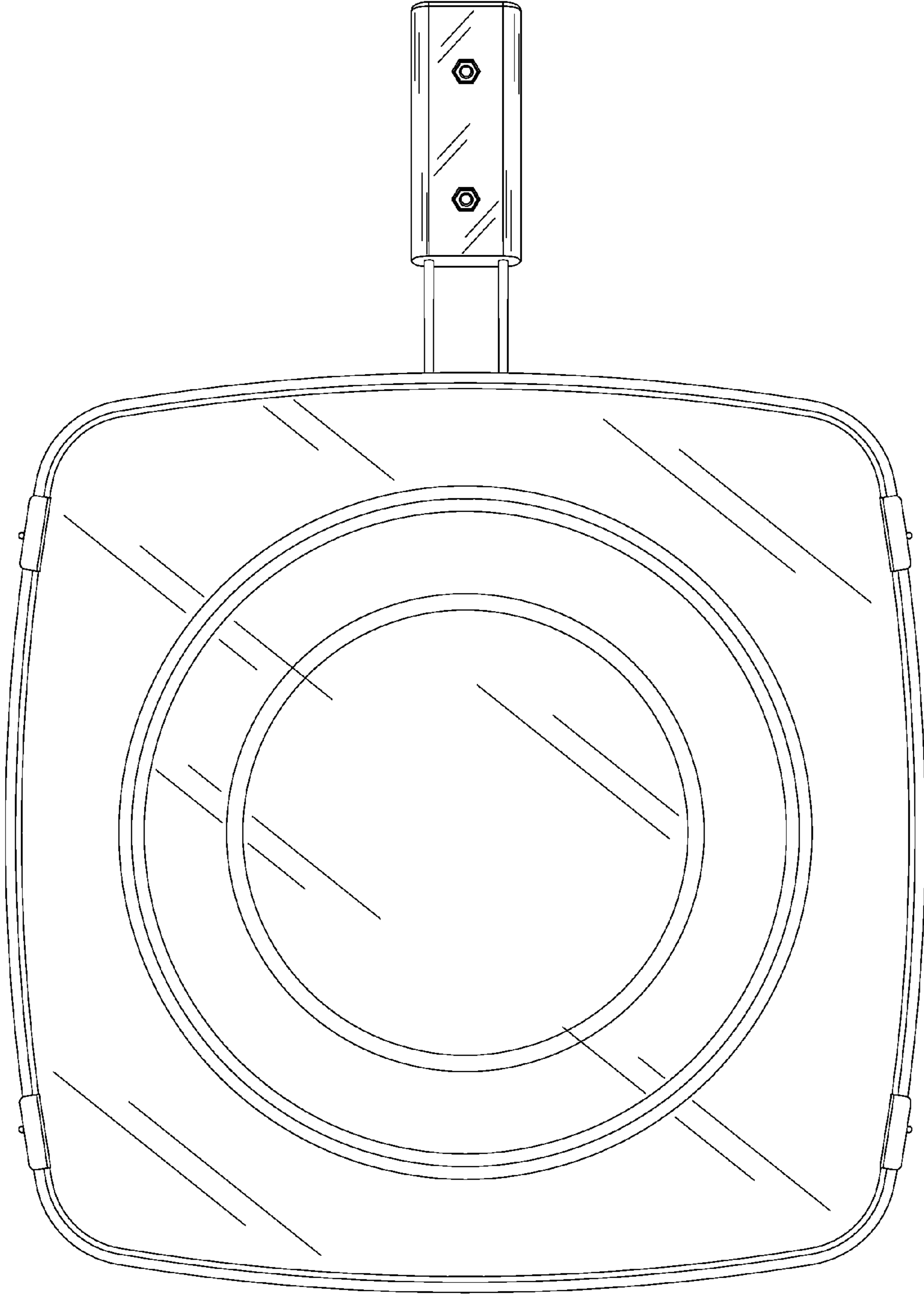


FIG. 7