



US00D611289S

(12) **United States Design Patent**
de Visser

(10) **Patent No.:** **US D611,289 S**
(45) **Date of Patent:** **** Mar. 9, 2010**

(54) **COFFEE MAKER**

(75) Inventor: **Alexander Paul Johannus de Visser**,
Vierhouten (NL)

(73) Assignees: **Koninklijke Philips Electronics N.V.**,
Eindhoven (NL); **Sara Lee/DE N.V.**,
Utrecht (NL)

(**) Term: **14 Years**

(21) Appl. No.: **29/334,203**

(22) Filed: **Mar. 23, 2009**

(51) **LOC (9) Cl.** **07-01**

(52) **U.S. Cl.** **D7/309; D7/311**

(58) **Field of Classification Search** **D7/309-311,**
D7/397, 399, 305-308; 99/286, 287, 289 R
See application file for complete search history.

(56) **References Cited**

U.S. PATENT DOCUMENTS

D525,469 S *	7/2006	Hansen	D7/309
D533,389 S *	12/2006	Hansen	D7/309
D536,917 S *	2/2007	McWilliam	D7/309
D538,577 S *	3/2007	Glucksman et al.	D7/306

7,210,401 B1 *	5/2007	Rolfes et al.	99/289 R
7,357,071 B2 *	4/2008	Geroult et al.	99/285
D584,096 S *	1/2009	Lutz	D7/307
D586,603 S *	2/2009	Borin	D7/309
D586,604 S *	2/2009	Buttler	D7/309
D587,511 S *	3/2009	Buttler	D7/309
D595,991 S *	7/2009	Zimmerman	D7/307

* cited by examiner

Primary Examiner—Marianne Pandozzi

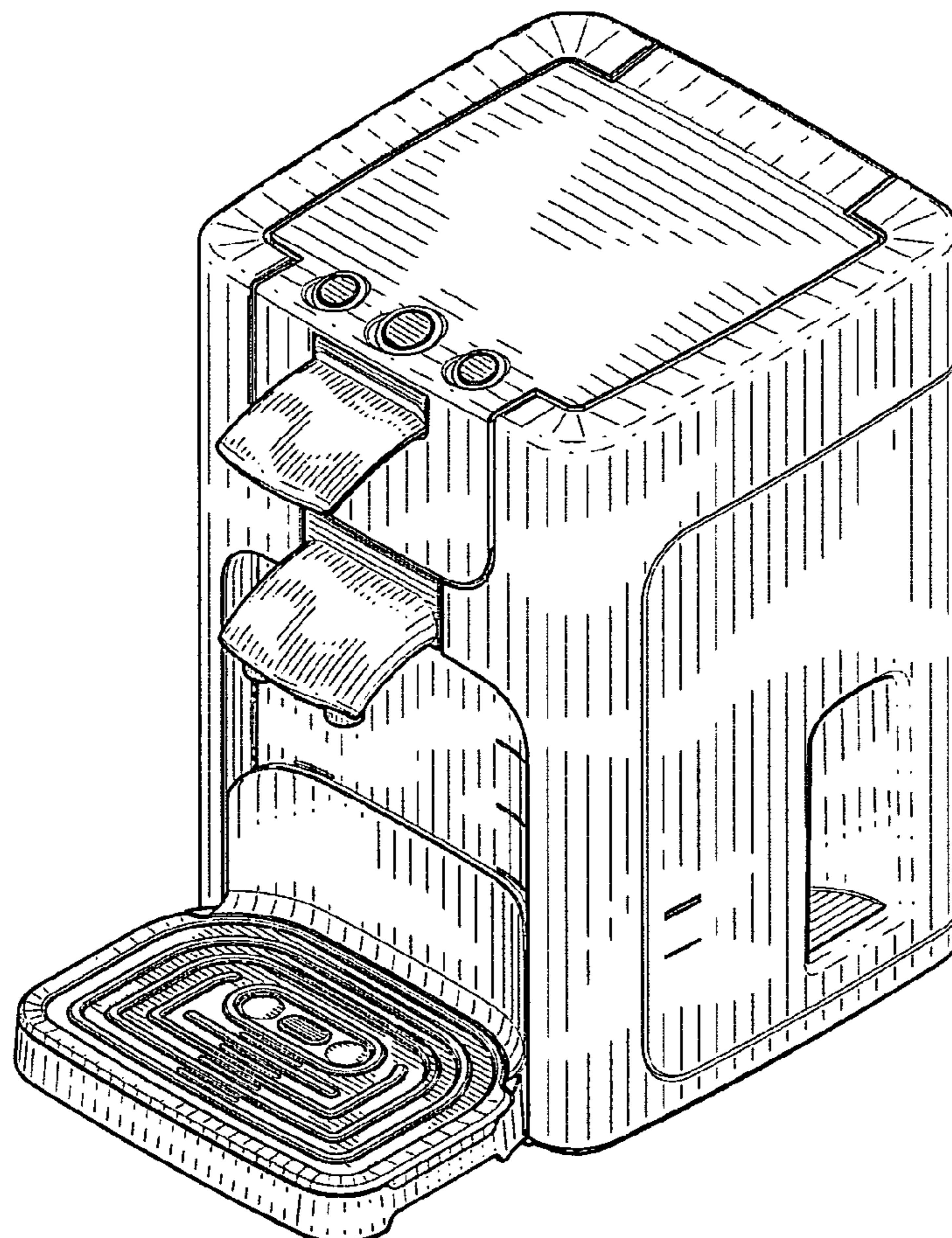
(57) **CLAIM**

The ornamental design for a coffee maker, as shown.

DESCRIPTION

FIG. 1 is a perspective view showing my design;
FIG. 2 is a front elevational view thereof;
FIG. 3 is a rear elevational view thereof;
FIG. 4 is a right side elevational view thereof;
FIG. 5 is a left side elevational view thereof;
FIG. 6 is a top plan view thereof; and,
FIG. 7 is a bottom plan view thereof.

1 Claim, 5 Drawing Sheets



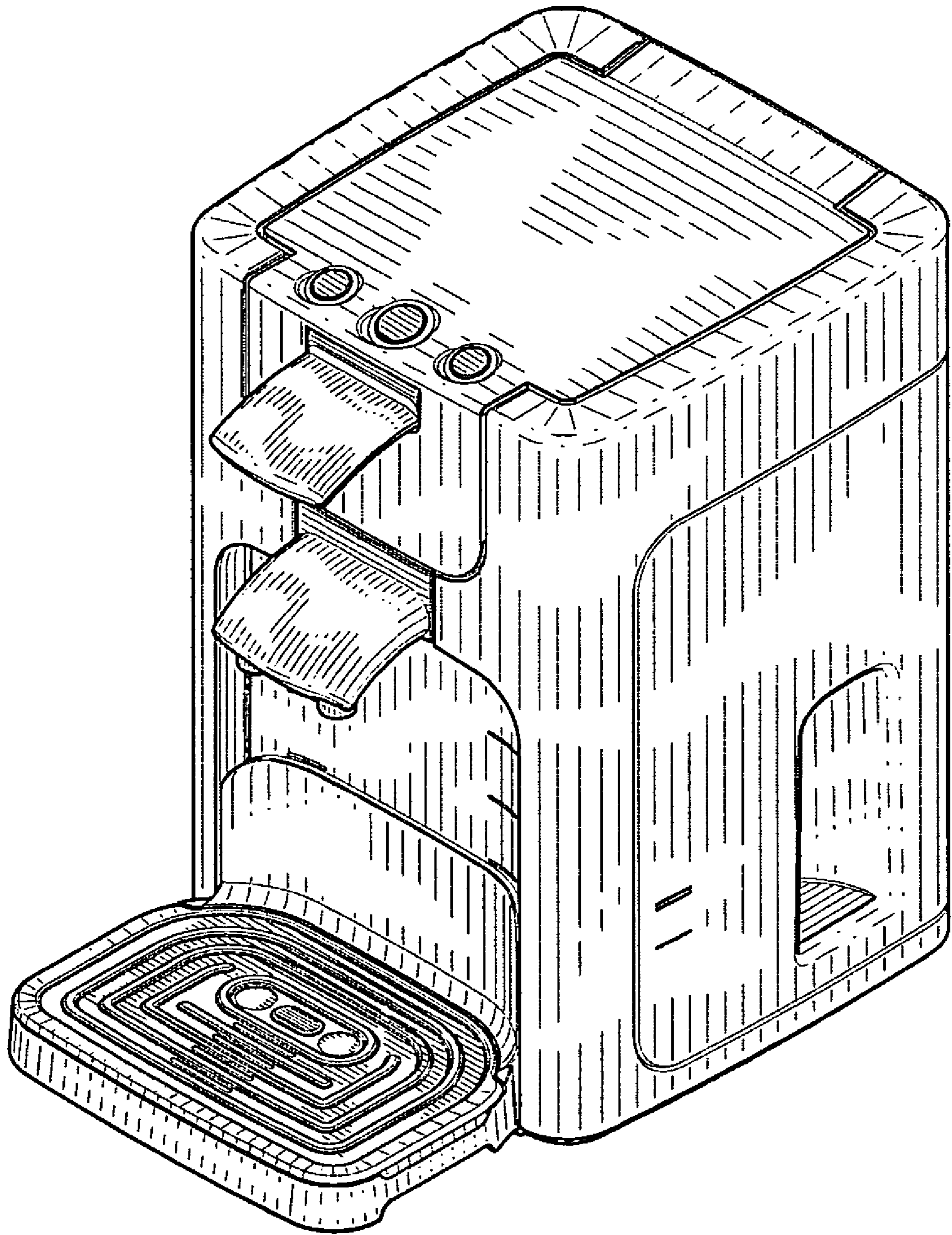


FIG. 1

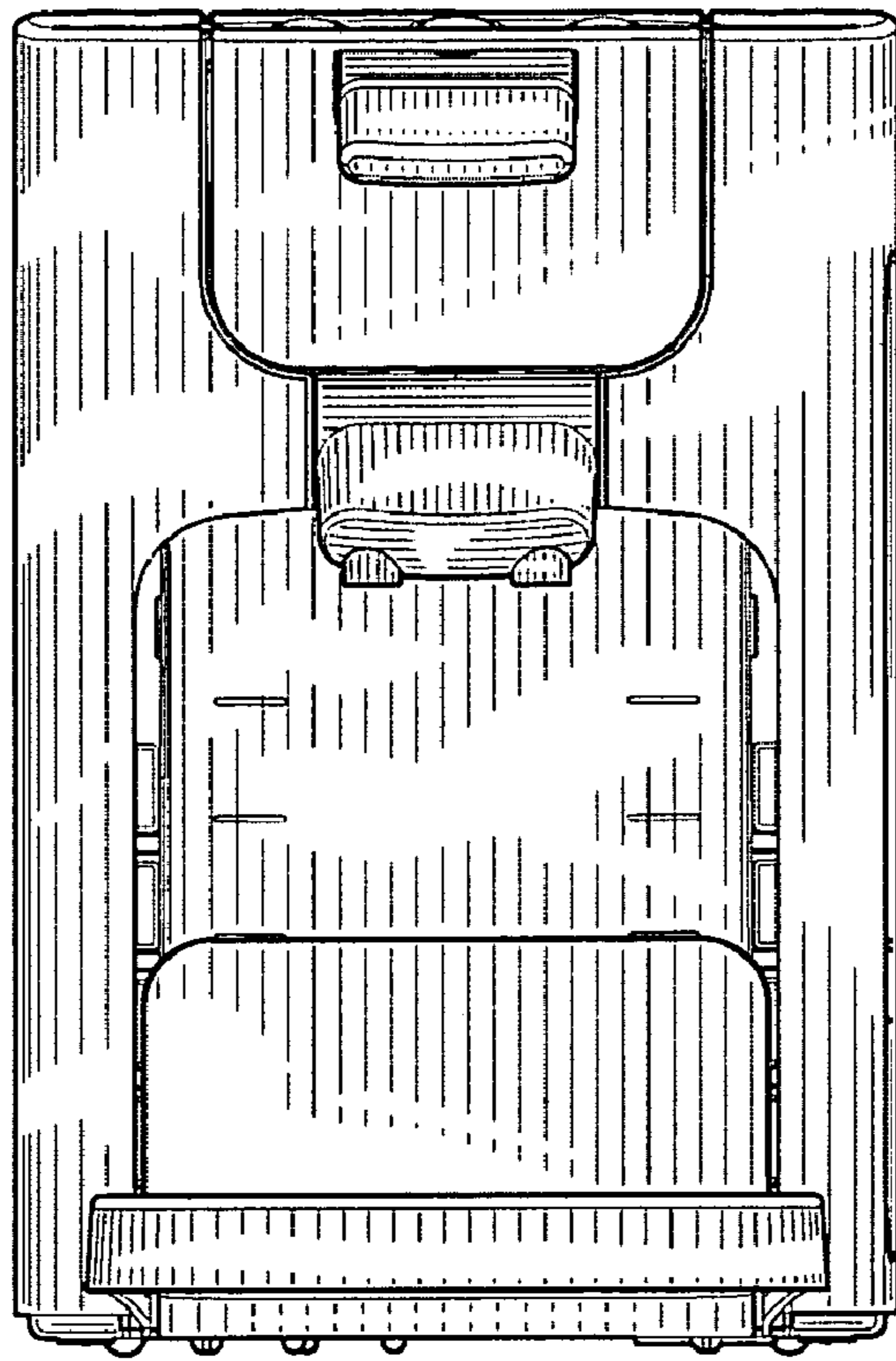


FIG. 2

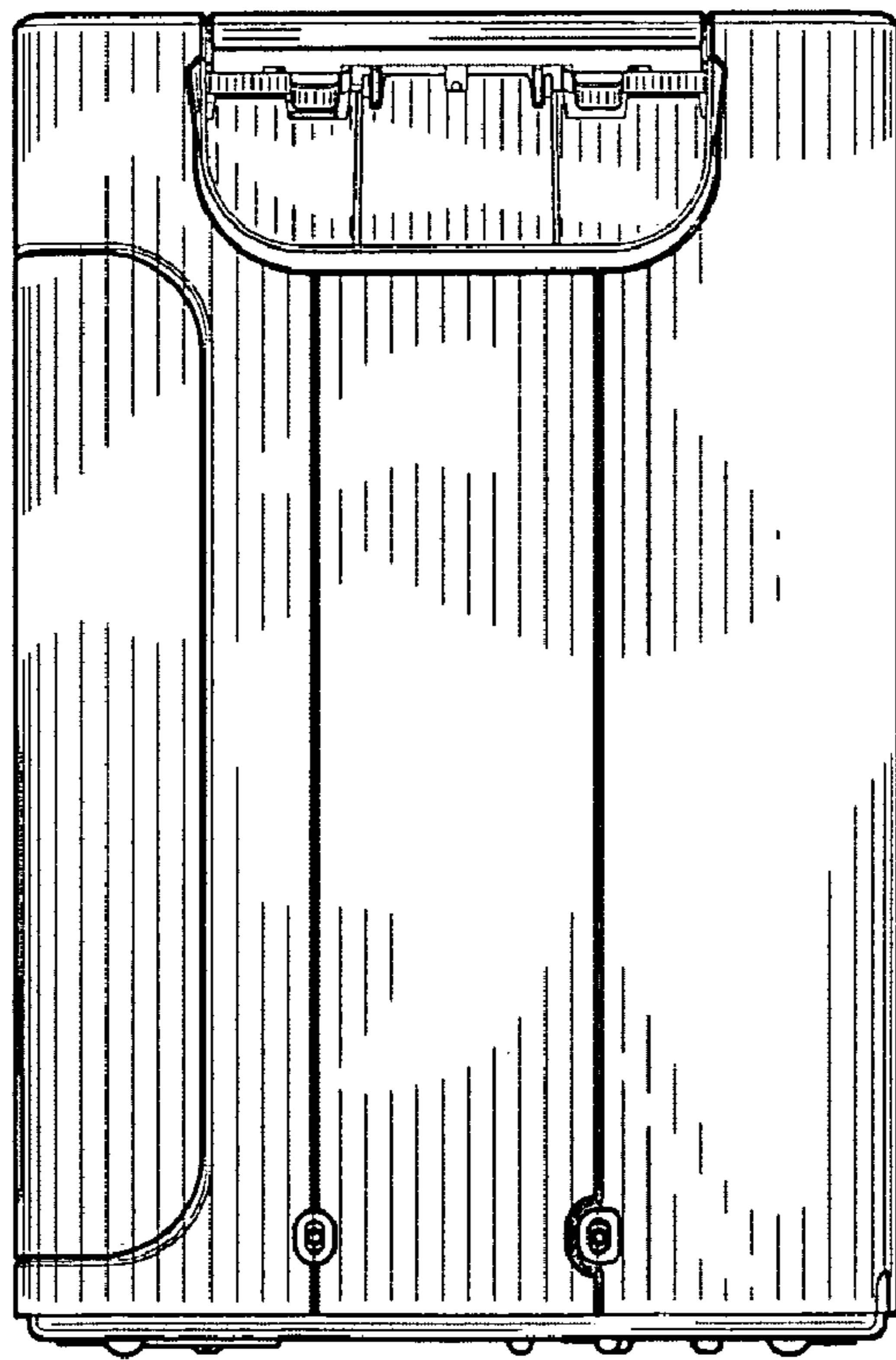


FIG. 3

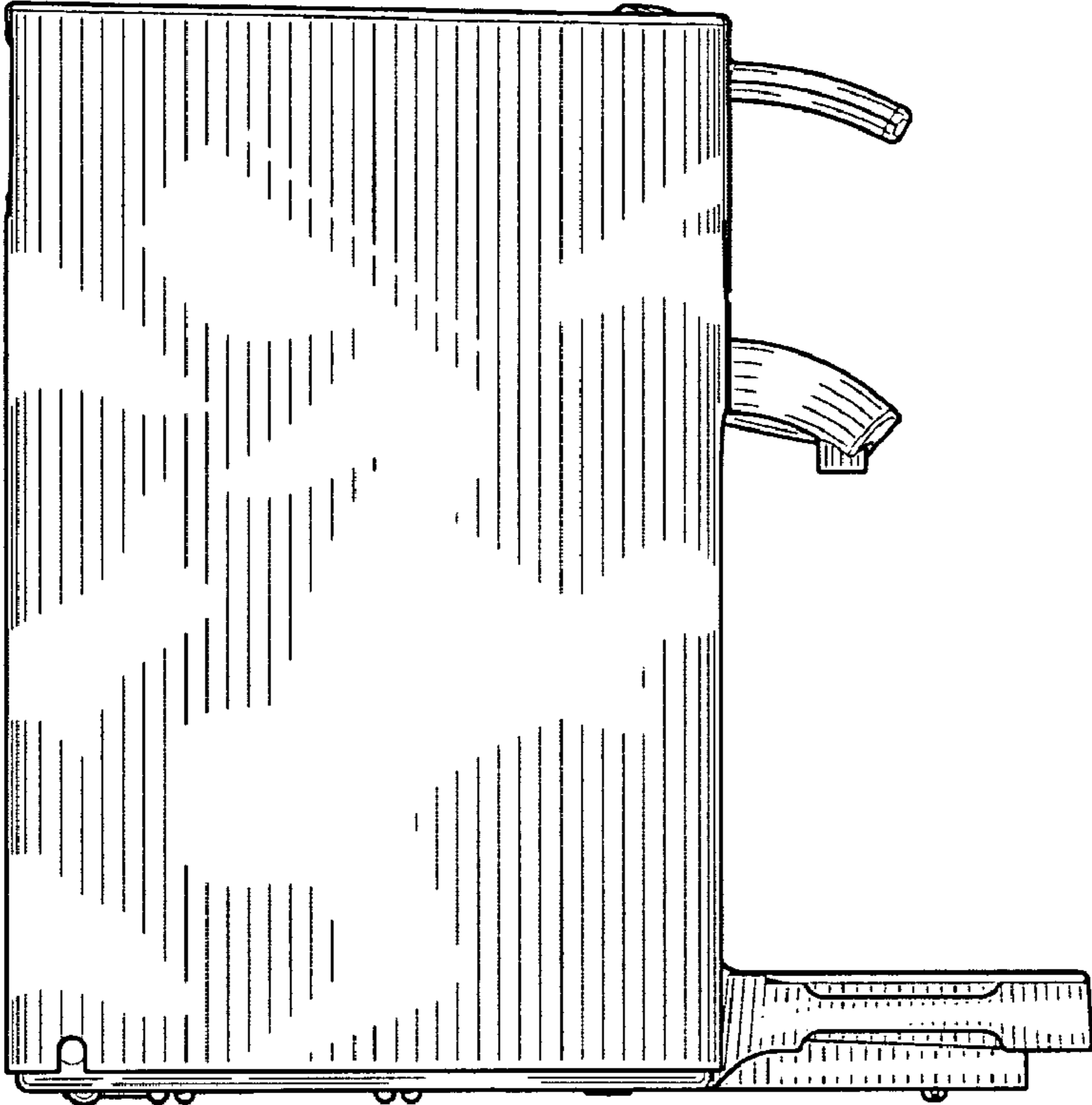


FIG. 4

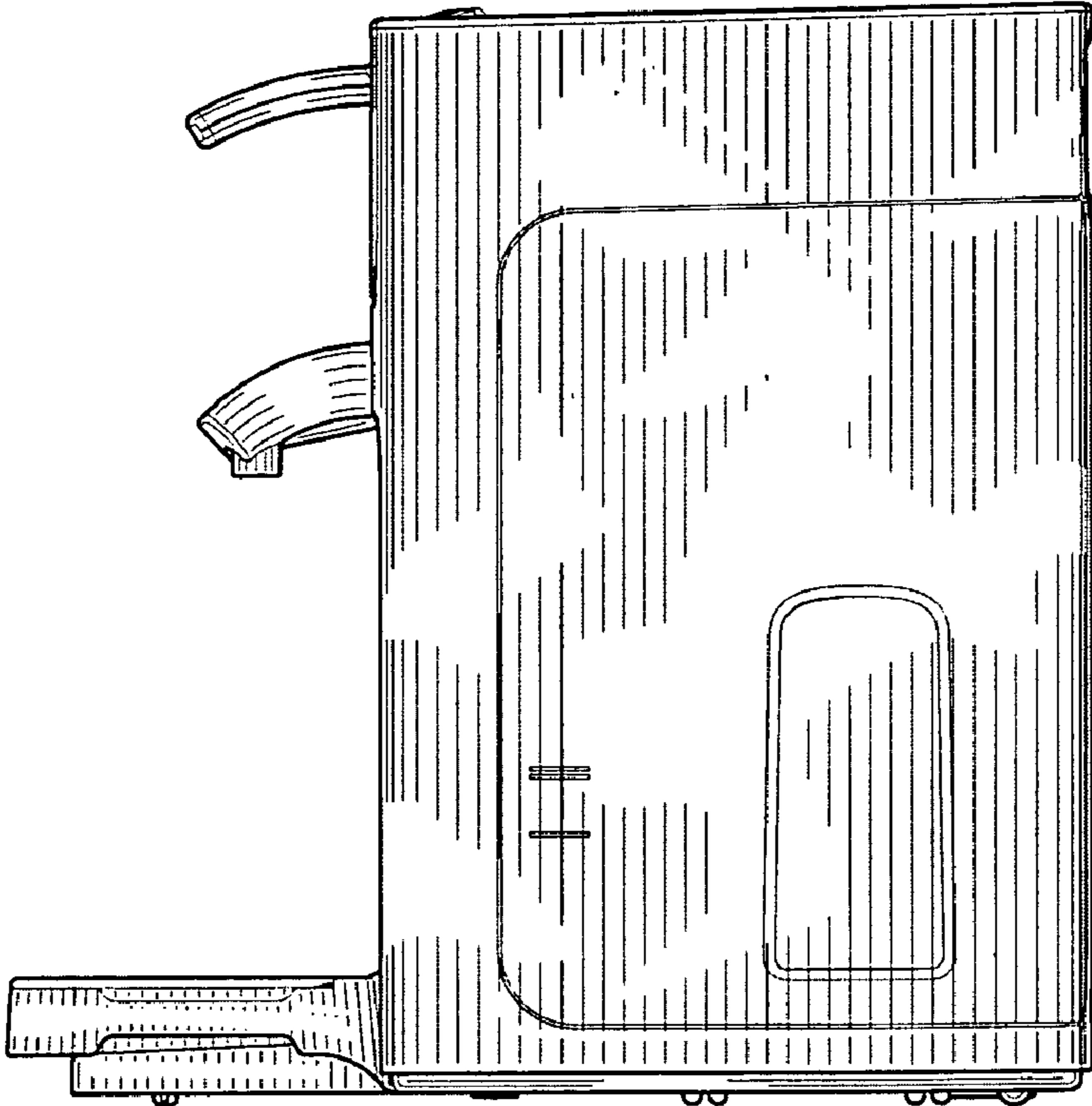


FIG. 5

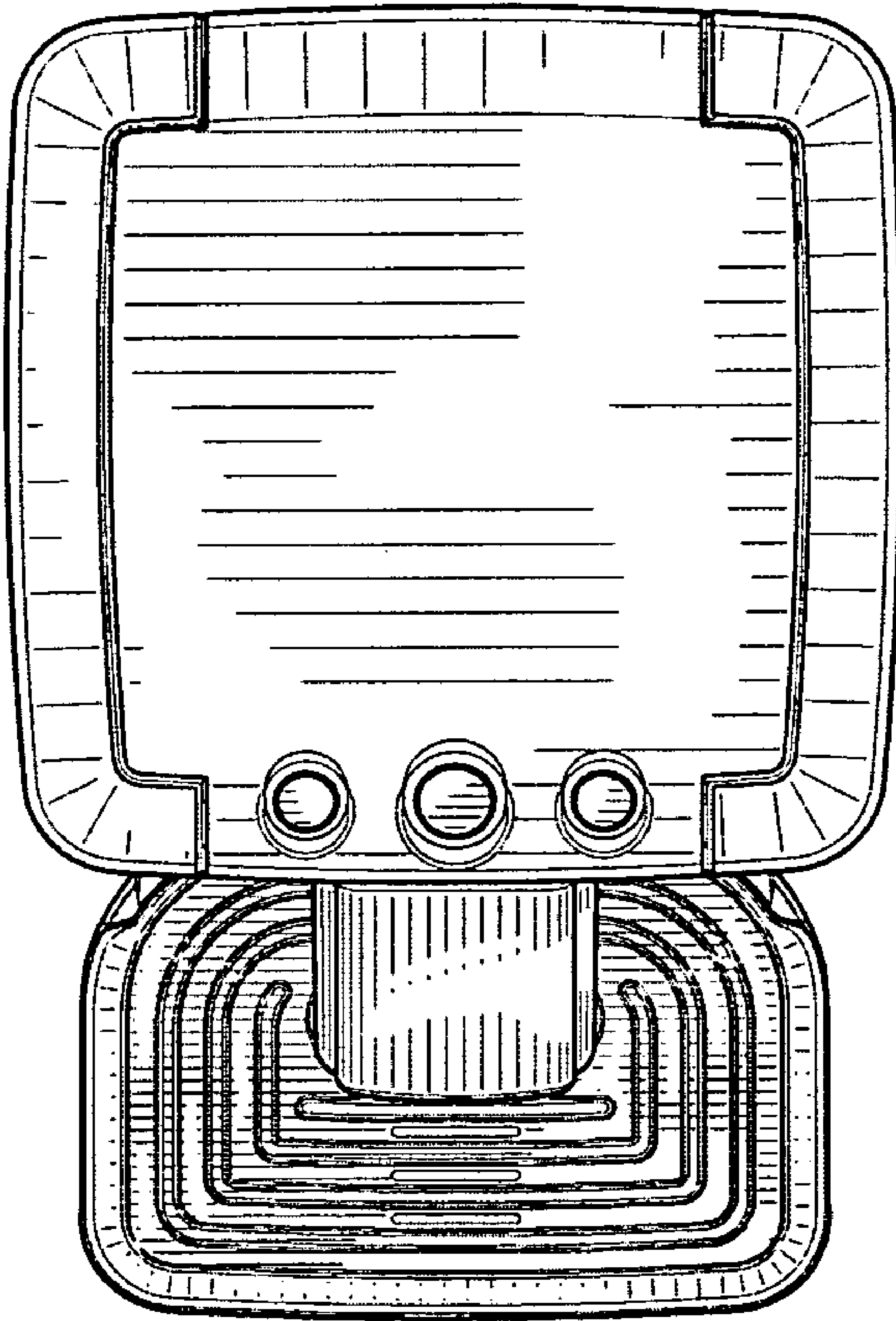


FIG. 6

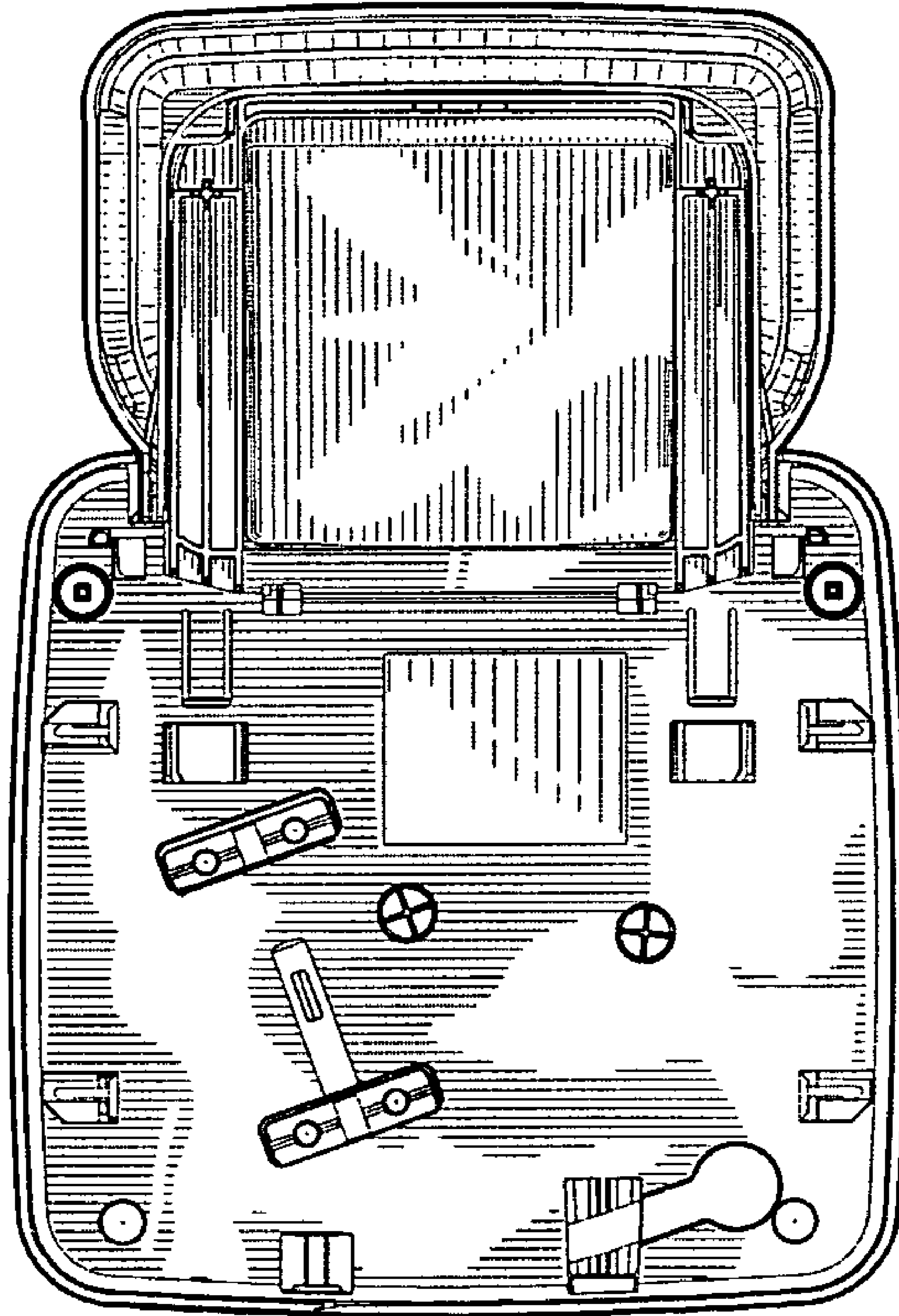


FIG. 7