



US00D611288S

(12) **United States Design Patent**
Bodum

(10) **Patent No.:** **US D611,288 S**
(45) **Date of Patent:** **** Mar. 9, 2010**

(54) **ELECTRIC KETTLE AND BASE THEREFORE**

(75) Inventor: **Jorgen Bodum**, Meggen (CH)

(73) Assignee: **Pi-Design AG**, Triengen (CH)

(**) Term: **14 Years**

(21) Appl. No.: **29/340,761**

(22) Filed: **Jul. 24, 2009**

(30) **Foreign Application Priority Data**

Feb. 9, 2009 (WO) DM/071 324

(51) **LOC (9) Cl.** **07-01**

(52) **U.S. Cl.** **D7/305; D7/317; D7/319**

(58) **Field of Classification Search** D7/300,
D7/316-319, 305, 397, 399, 387, 507, 536,
D7/510, 511; 99/295, 299; 222/129.1
See application file for complete search history.

(56) **References Cited**

U.S. PATENT DOCUMENTS

D259,168 S * 5/1981 Petrie D7/367
D276,785 S * 12/1984 Cleland D7/399
D367,201 S * 2/1996 Joergensen D7/305
D398,474 S * 9/1998 Wagner D7/305
6,079,316 A * 6/2000 Barden et al. 99/297
D448,235 S * 9/2001 Jørgensen D7/319
D494,417 S * 8/2004 Lee D7/507
6,797,304 B2 * 9/2004 McGonagle 426/431
D497,079 S * 10/2004 Paggio D7/507

D545,111 S * 6/2007 Brown D7/317
D584,570 S * 1/2009 Bodum D7/608
D588,857 S * 3/2009 Bodum D7/319
D598,696 S * 8/2009 Bodum D7/319

FOREIGN PATENT DOCUMENTS

WO DM/069 077 1/2008

OTHER PUBLICATIONS

Breville BKE820XL Variable Temperature Water Kettle, retrieved on Sep. 24, 2009 from www.thegreenhead.com 1 page total.

* cited by examiner

Primary Examiner—Marianne Pandozzi

(74) *Attorney, Agent, or Firm*—Sughrue Mion, PLLC

(57) **CLAIM**

The ornamental design for a electric kettle and base therefore, as shown and described.

DESCRIPTION

FIG. 1 is a first perspective view of the electric kettle and base therefore;

FIG. 2 is a front view thereof;

FIG. 3 is a back view thereof;

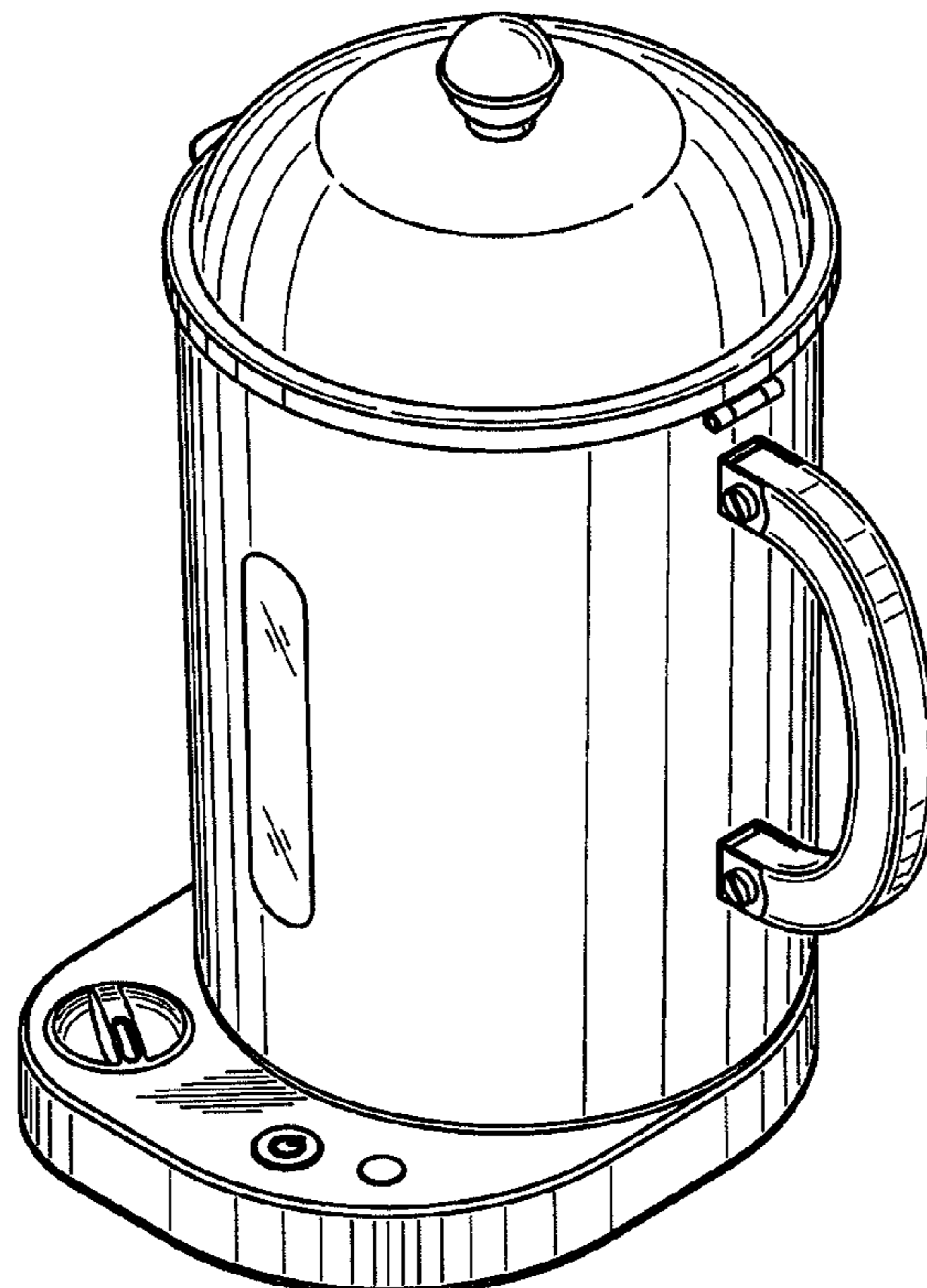
FIG. 4 is a right side view thereof;

FIG. 5 is a left side view thereof;

FIG. 6 is a top view thereof; and,

FIG. 7 is a bottom view thereof.

1 Claim, 7 Drawing Sheets



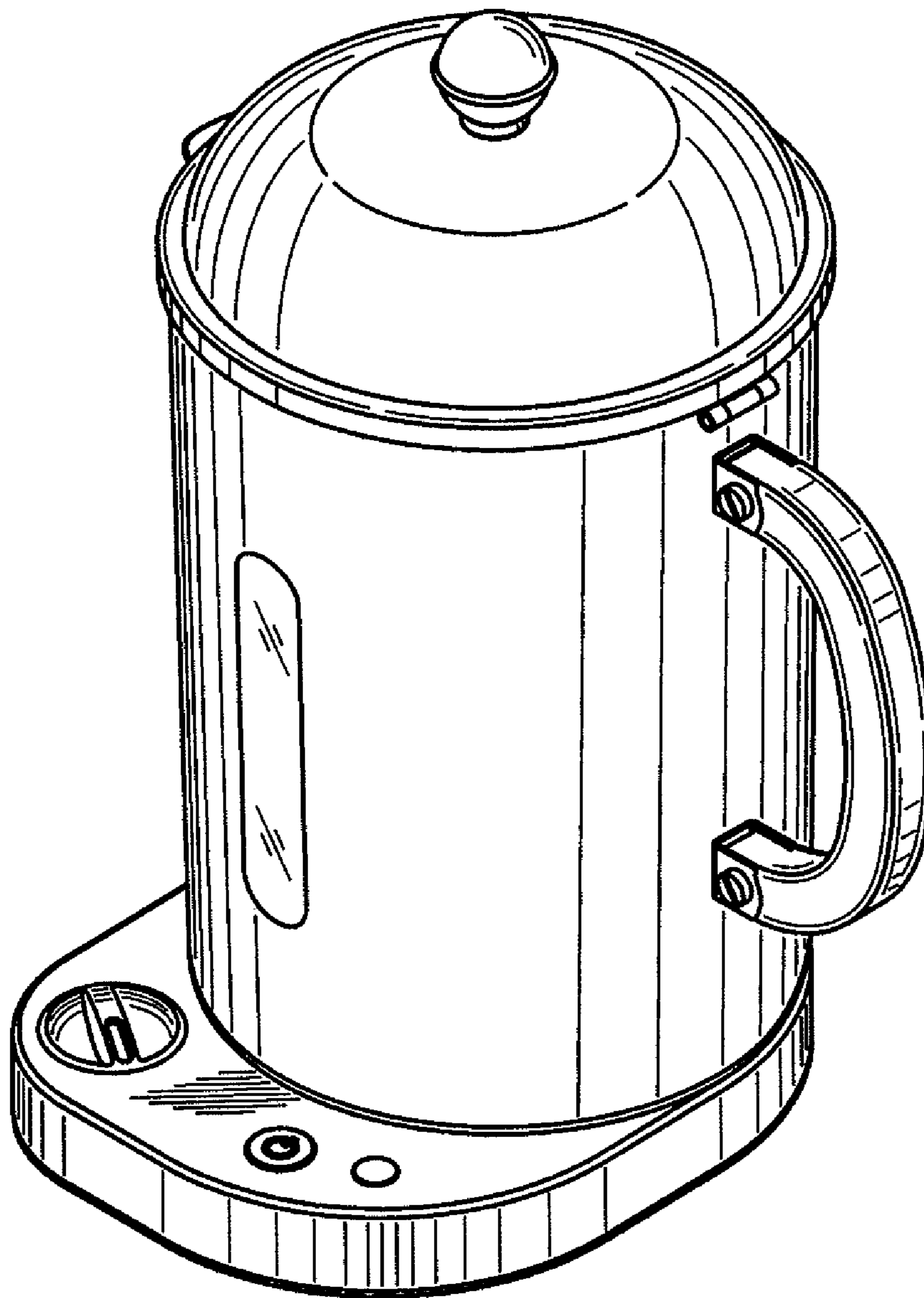


Figure 1

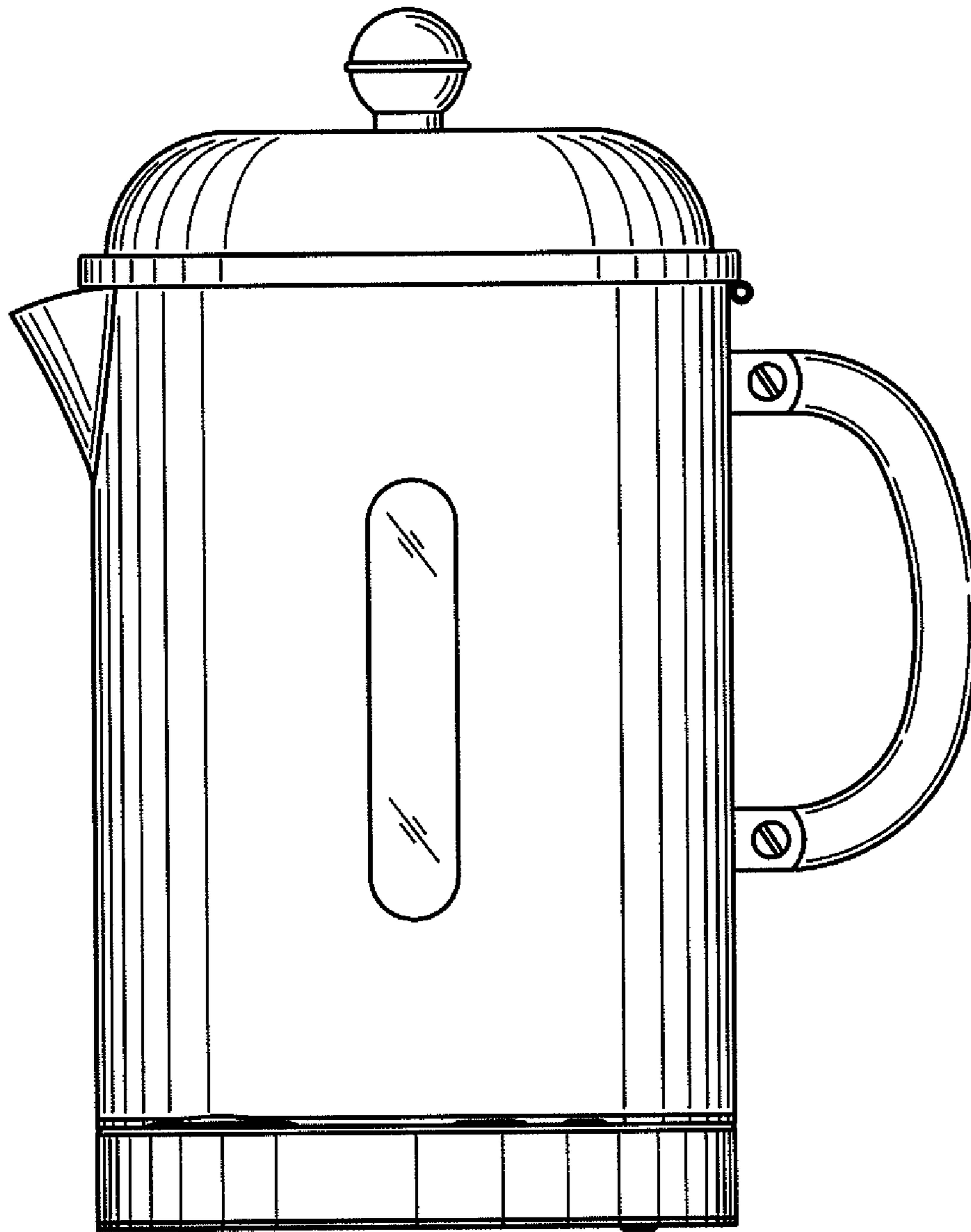


Figure 2

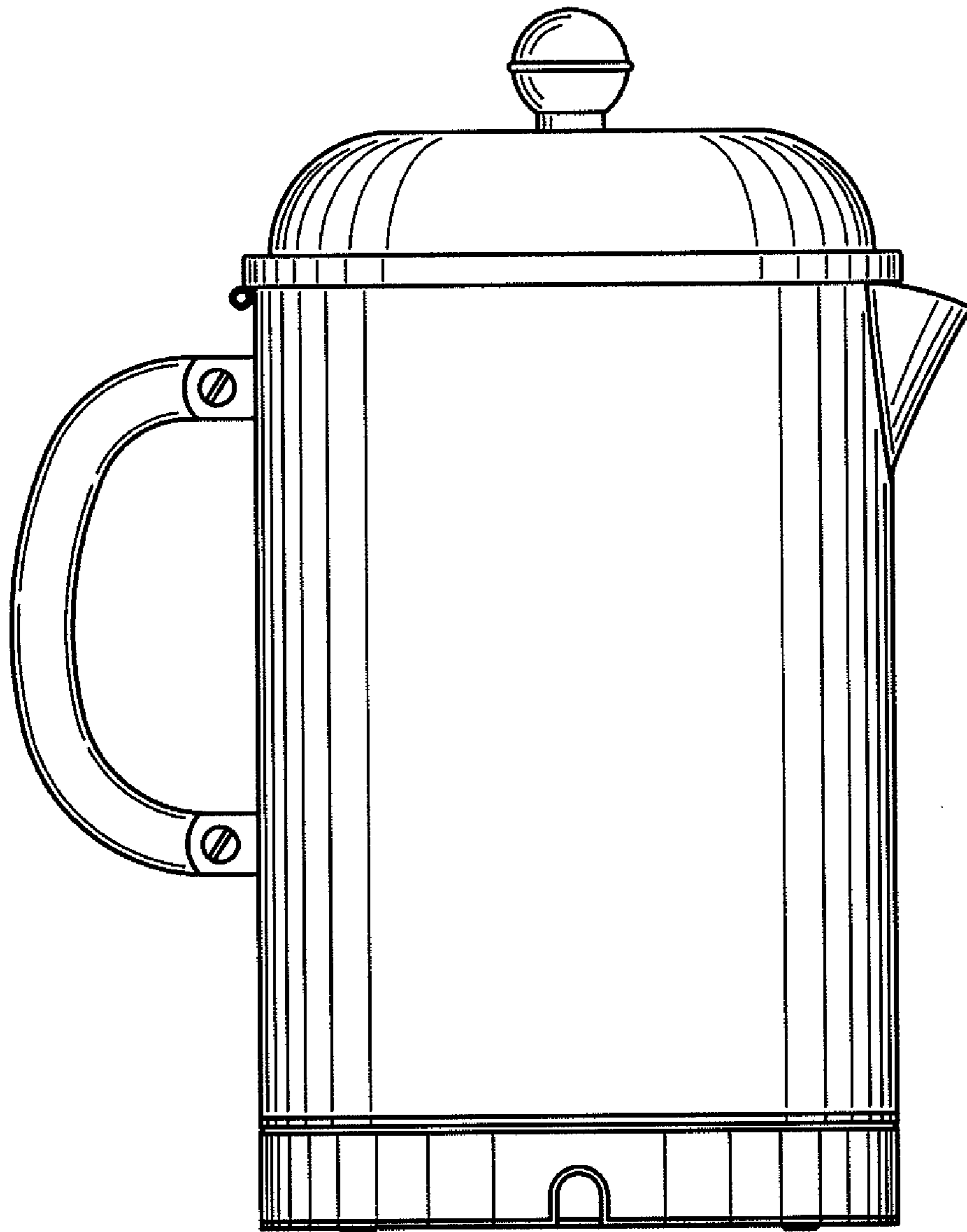


Figure 3

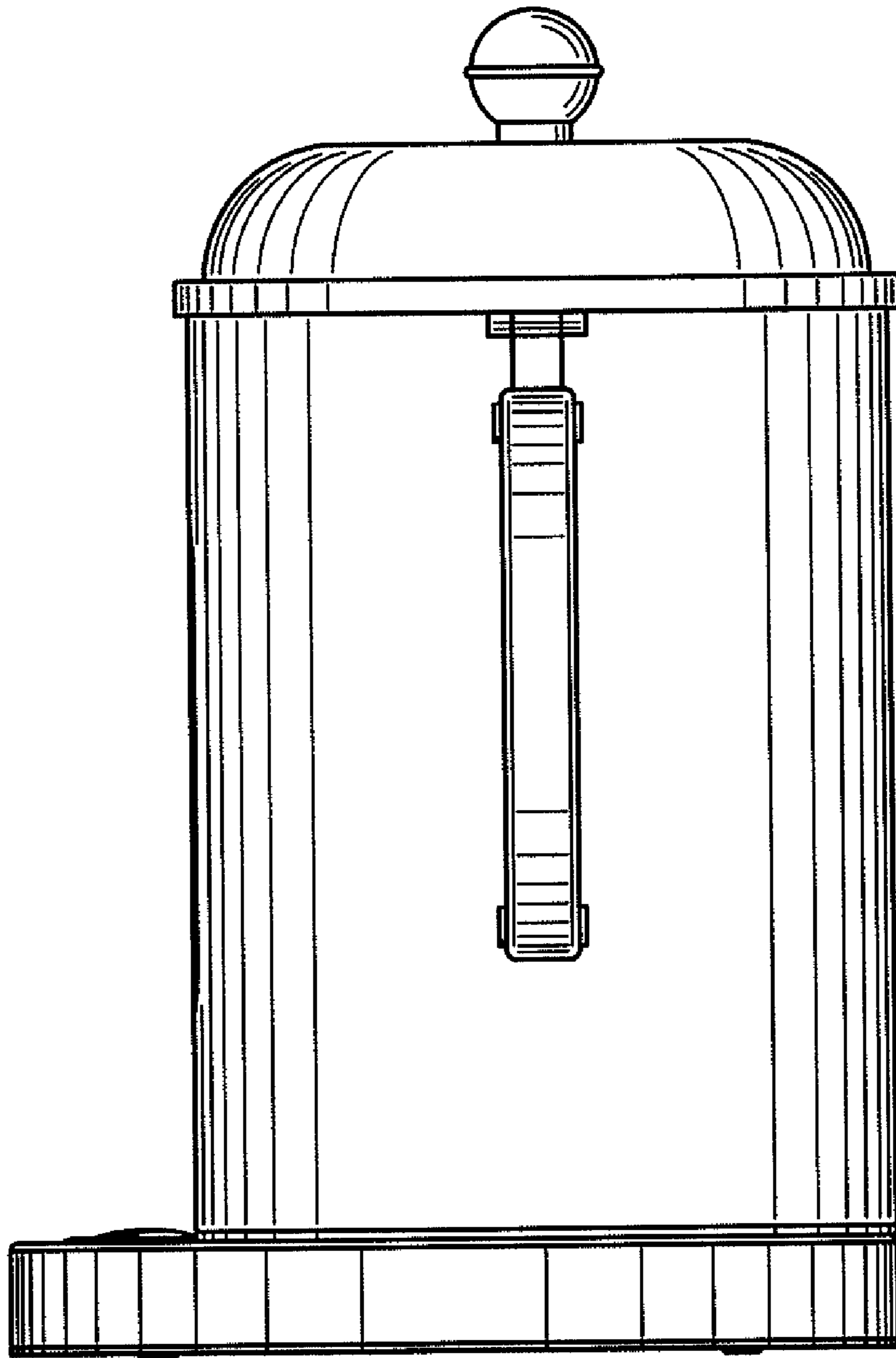


Figure 4

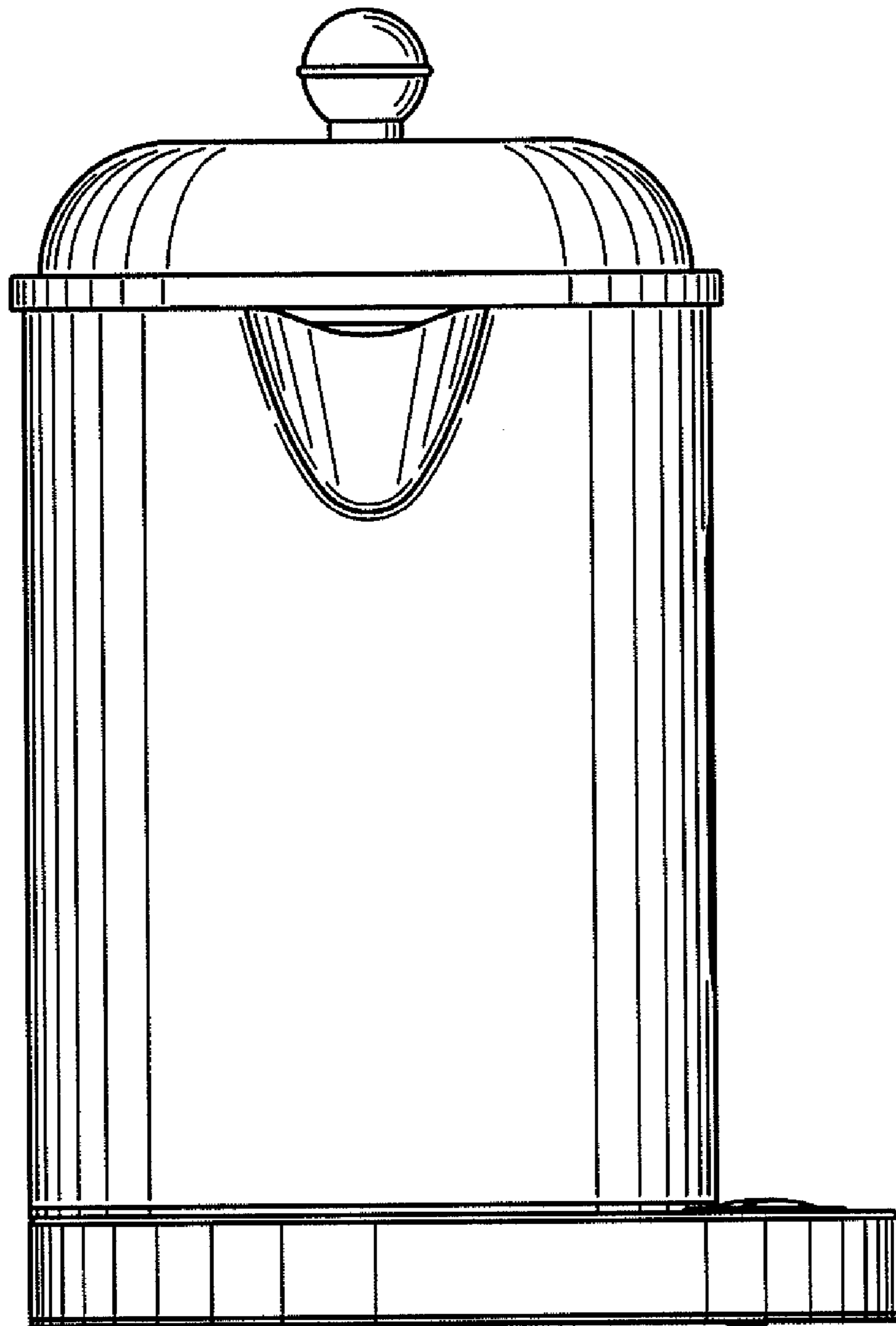


Figure 5

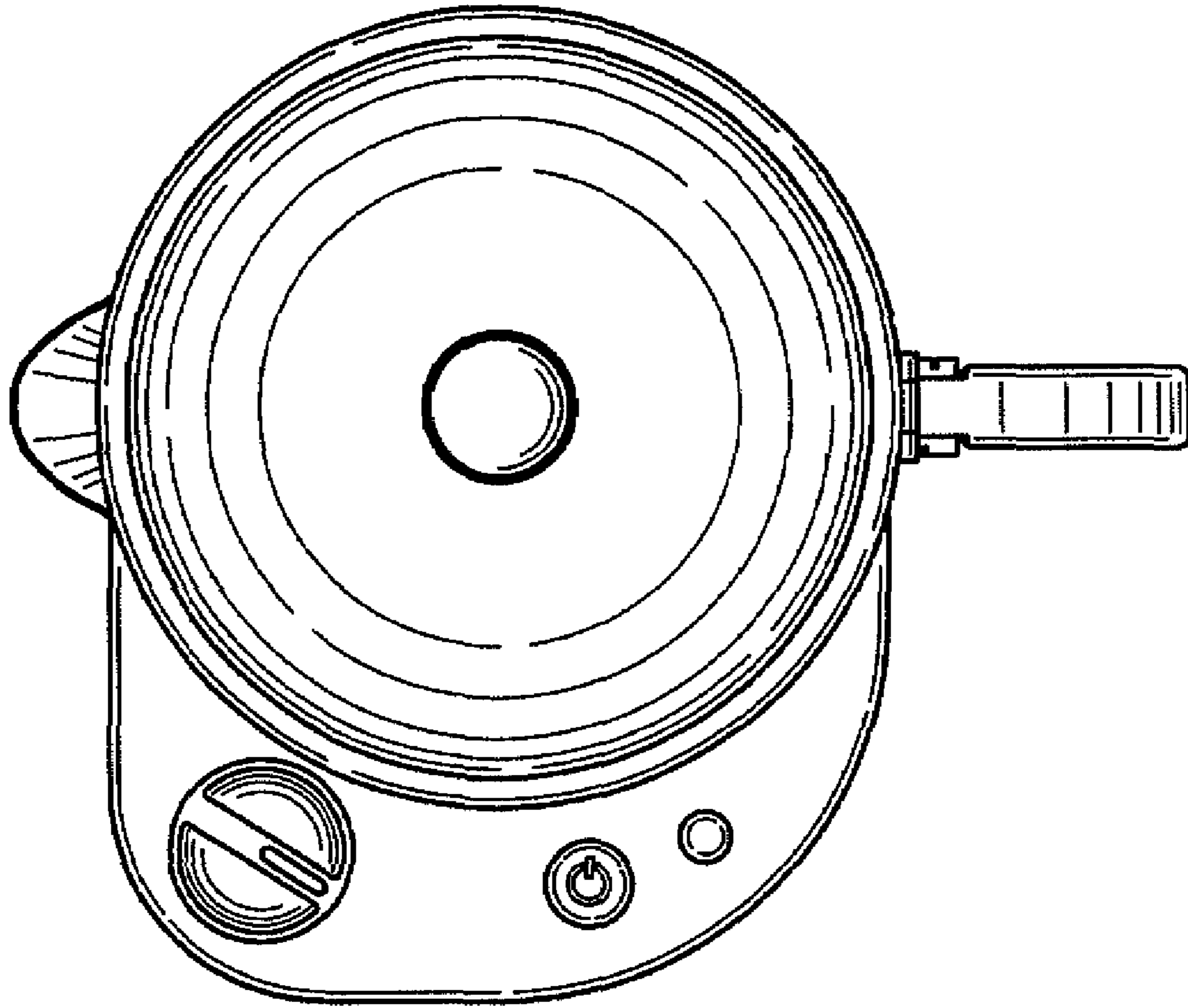


Figure 6

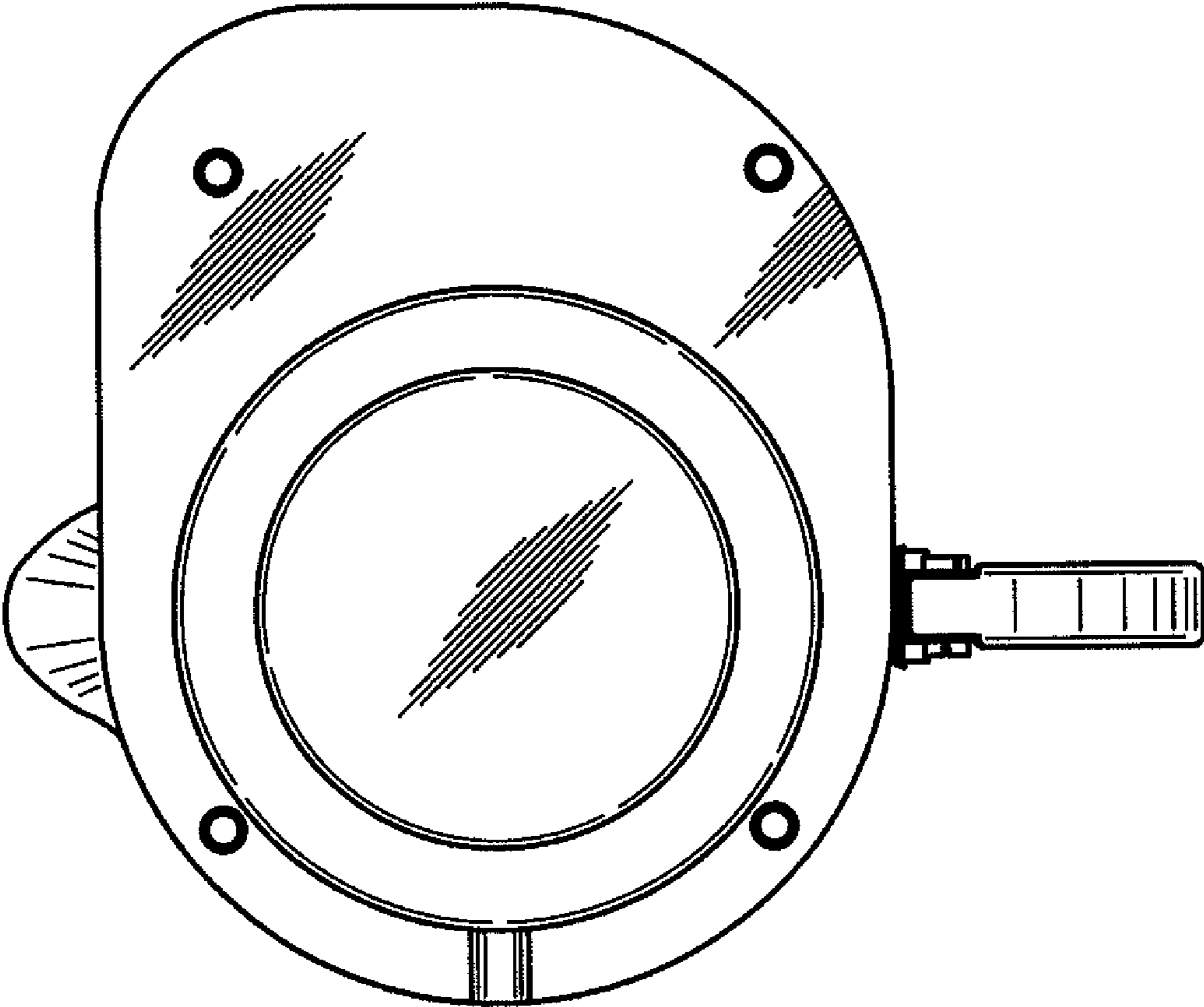


Figure 7