



US00D611283S

(12) **United States Design Patent**
Pettigrew

(10) **Patent No.:** **US D611,283 S**

(45) **Date of Patent:** **** Mar. 9, 2010**

(54) **HOLDER FOR PAPER ROLLS**

(76) Inventor: **Errol L. Pettigrew**, 2287 106th Ave.,
Elmont, NY (US) 11003

(**) Term: **14 Years**

(21) Appl. No.: **29/345,574**

(22) Filed: **Oct. 19, 2009**

Related U.S. Application Data

(62) Division of application No. 29/339,529, filed on Jul. 1, 2009, which is a division of application No. 29/330,678, filed on Jan. 13, 2009, now Pat. No. Des. 597,355, which is a division of application No. 29/302,934, filed on Jan. 29, 2008, now Pat. No. Des. 584,549, which is a division of application No. 29/276,290, filed on Jan. 22, 2007, now Pat. No. Des. 564,813.

(51) **LOC (9) Cl.** **20-02**

(52) **U.S. Cl.** **D6/520**

(58) **Field of Classification Search** D6/515-523,
D6/546-550; 206/389; 221/282-283; 312/34.8;
242/570, 590, 598, 560
See application file for complete search history.

(56) **References Cited**

U.S. PATENT DOCUMENTS

D482,916 S * 12/2003 Smurlick et al. D6/518
D486,332 S * 2/2004 Hoernig D6/520

D486,681 S * 2/2004 Hoernig D6/523
D506,632 S * 6/2005 Holsclaw D6/520
D513,680 S * 1/2006 Snell D6/523
D540,591 S * 4/2007 Snell D6/523
D540,593 S * 4/2007 Hoernig D6/523
D541,089 S * 4/2007 Massaud D6/523
D547,985 S * 8/2007 Kubota D6/522
D550,489 S * 9/2007 Williams et al. D6/523

* cited by examiner

Primary Examiner—Brian N Vinson

(74) *Attorney, Agent, or Firm*—Scully, Scott, Murphy & Presser, P.C.

(57) **CLAIM**

The ornamental design for a holder for paper rolls, as shown and described.

DESCRIPTION

FIG. 1 is a front elevational view of the holder for paper rolls showing my new and ornamental design;

FIG. 2 is a rear side elevational view thereof;

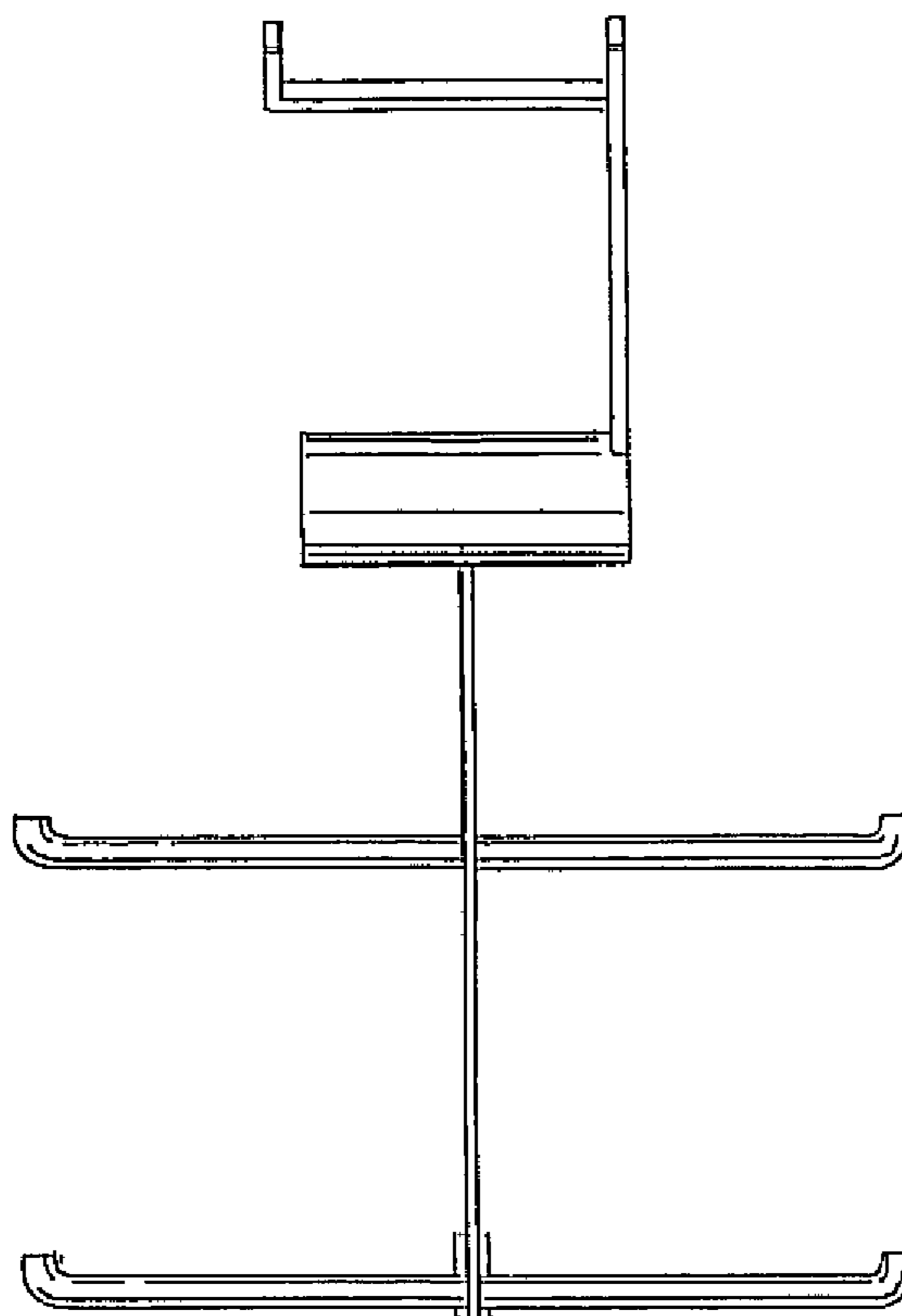
FIG. 3 is a right side elevational view thereof;

FIG. 4 is a left plan side view thereof;

FIG. 5 is a top plan view thereof; and,

FIG. 6 is a bottom plan view thereof.

1 Claim, 1 Drawing Sheet



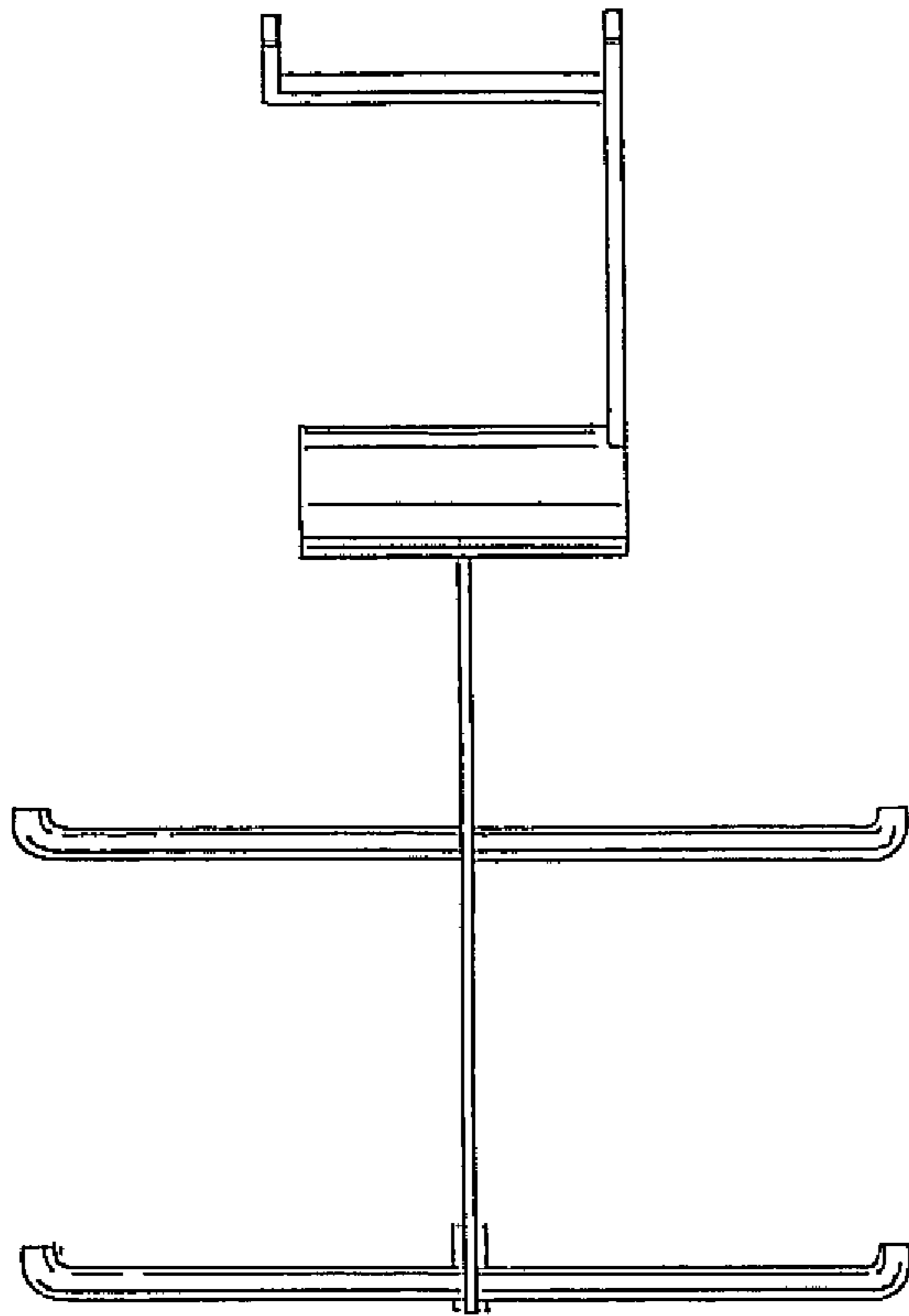


FIGURE 1

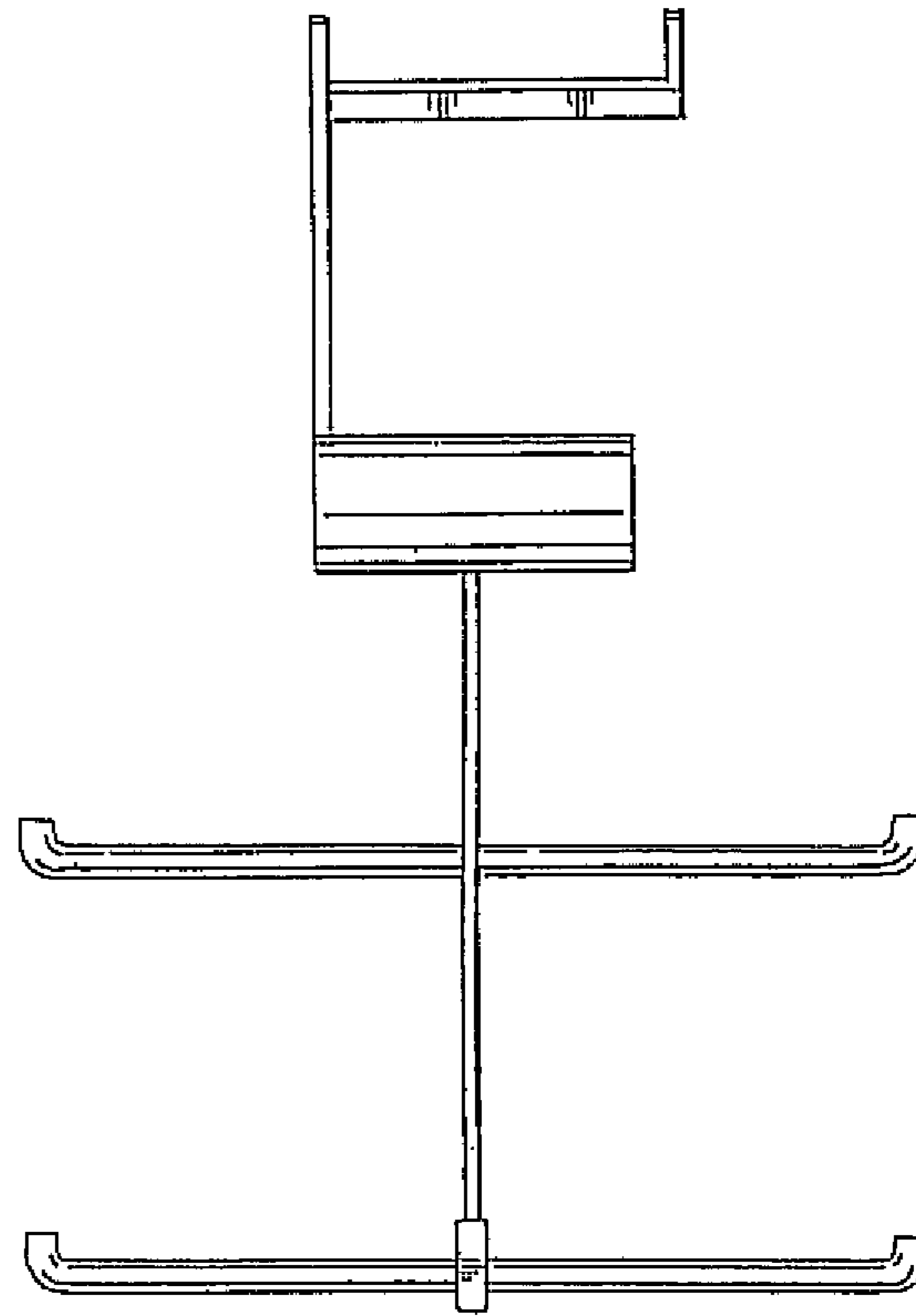


FIGURE 2

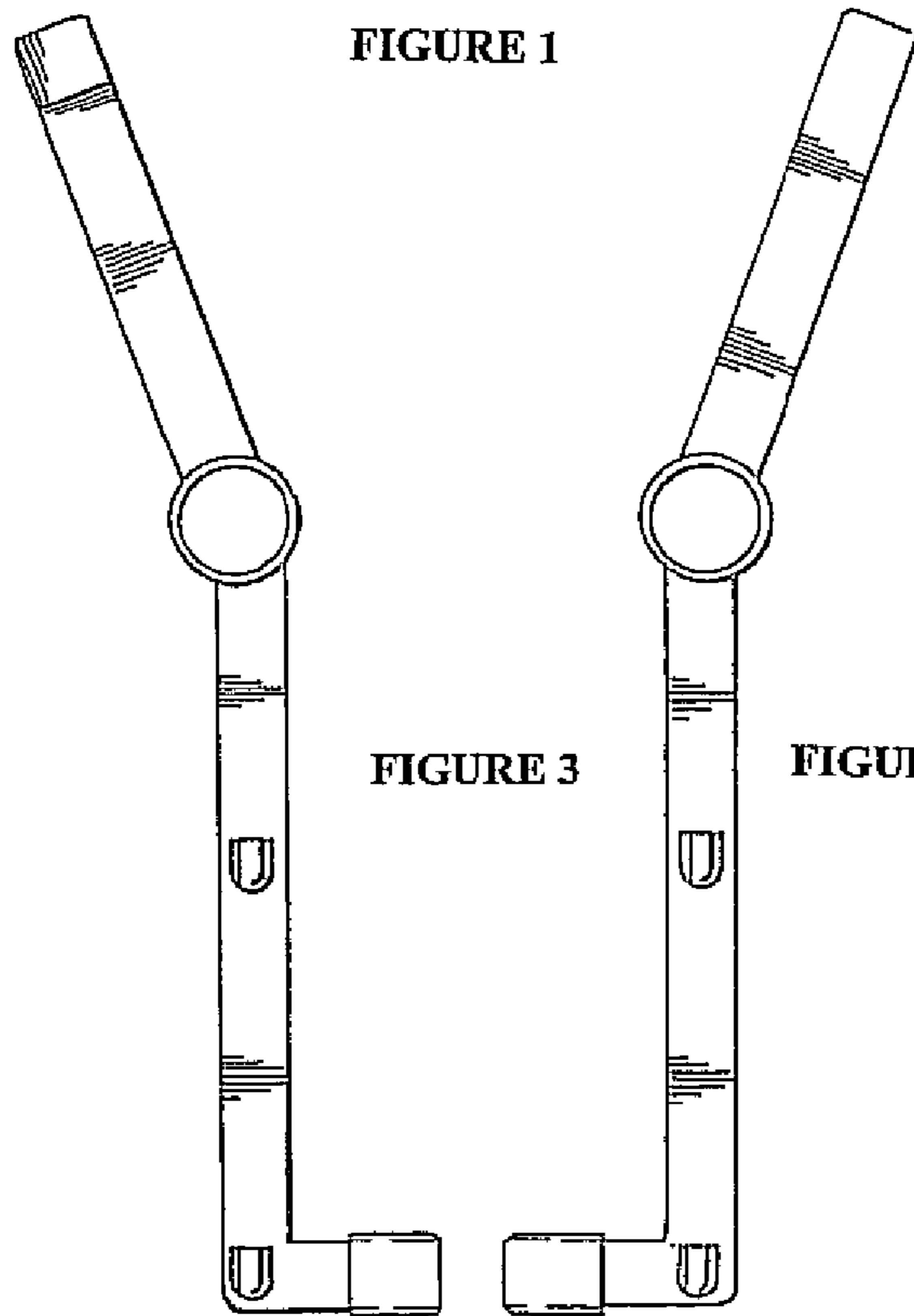


FIGURE 3

FIGURE 4

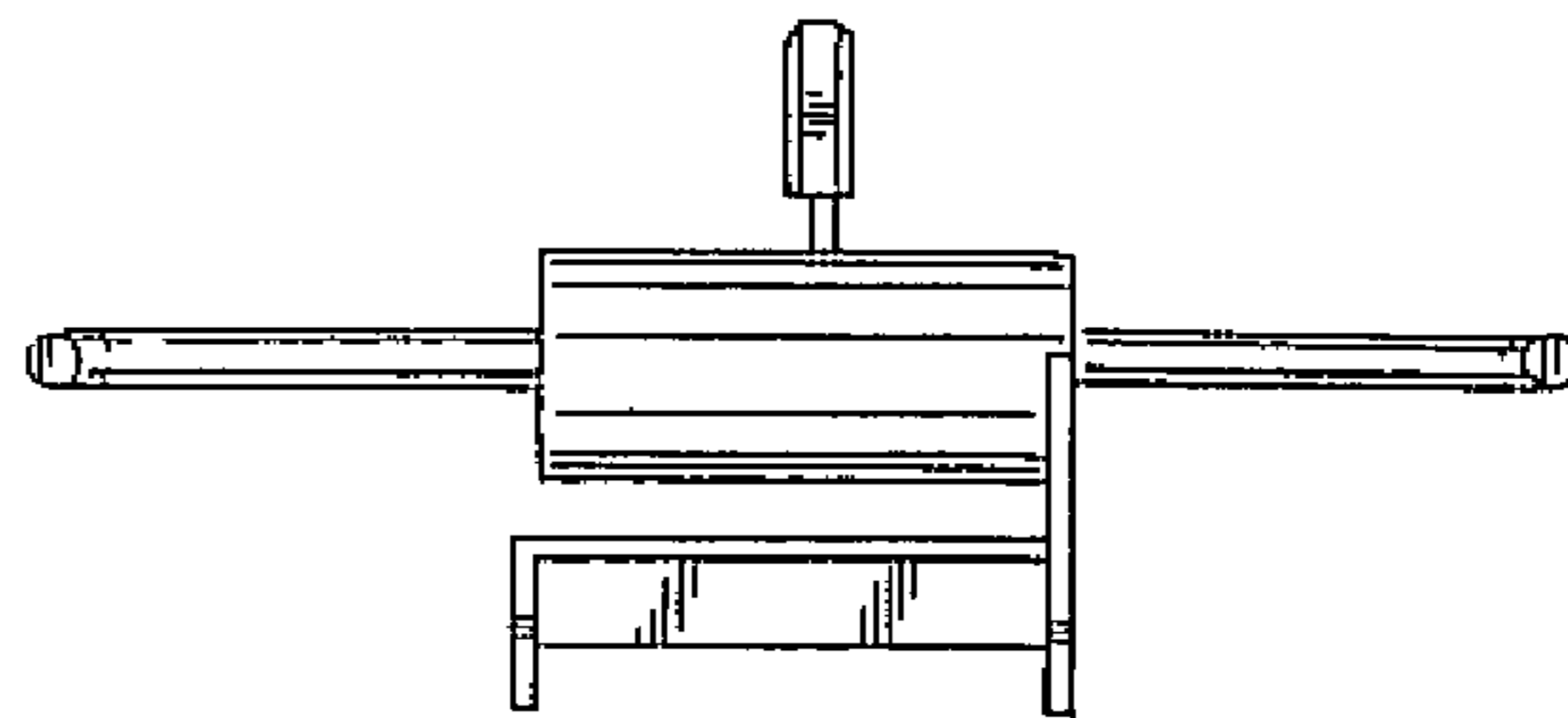


FIGURE 5

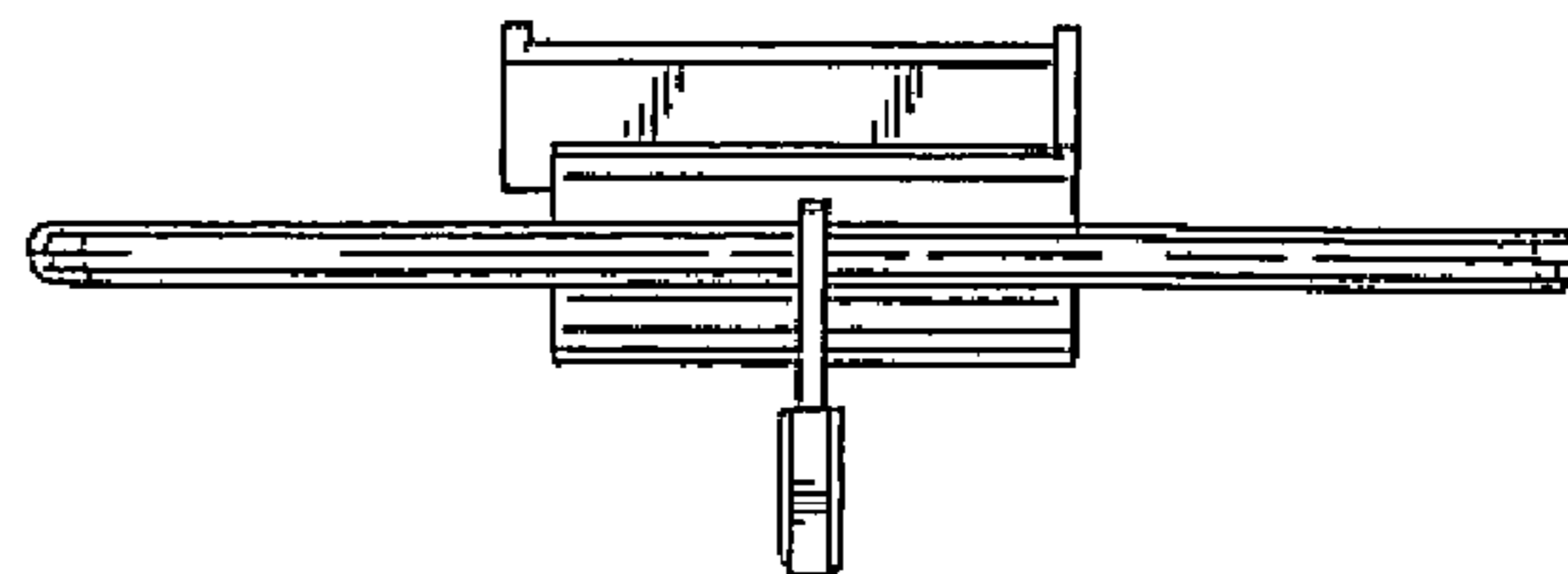


FIGURE 6