



US00D611282S

(12) **United States Design Patent**
Gehring et al.

(10) **Patent No.:** **US D611,282 S**
(45) **Date of Patent:** **** Mar. 9, 2010**

(54) **WIPES CONTAINER**

D598,687 S * 8/2009 Serfaty D6/518

(75) Inventors: **Debra Gay Gehring**, Cincinnati, OH (US); **Sarah Louise Thielman**, Cincinnati, OH (US)

* cited by examiner

Primary Examiner—Brian N Vinson
(74) *Attorney, Agent, or Firm*—John G. Powell

(73) Assignee: **The Procter & Gamble Co.**, Cincinnati, OH (US)

(57) **CLAIM**

(**) Term: **14 Years**

The ornamental design for a wipes container, as shown and described.

(21) Appl. No.: **29/342,796**

DESCRIPTION

(22) Filed: **Sep. 1, 2009**

FIG. 1 is a perspective view of a wipes container showing my new design;

(51) **LOC (9) Cl.** **20-02**

FIG. 2 is a front elevational view thereof;

(52) **U.S. Cl.** **D6/518**

FIG. 3 is a rear elevational view thereof;

(58) **Field of Classification Search** D6/518-523;

FIG. 4 is a side elevational view thereof;

206/389, 390, 395; 221/282-283; 312/34.8;

FIG. 5 is an opposite side elevational view thereof;

242/570, 560, 590, 597.7, 598; D9/516,

FIG. 6 is top plan view thereof; and,

D9/549, 423; D3/294, 318

FIG. 7 is a bottom plan view thereof.

See application file for complete search history.

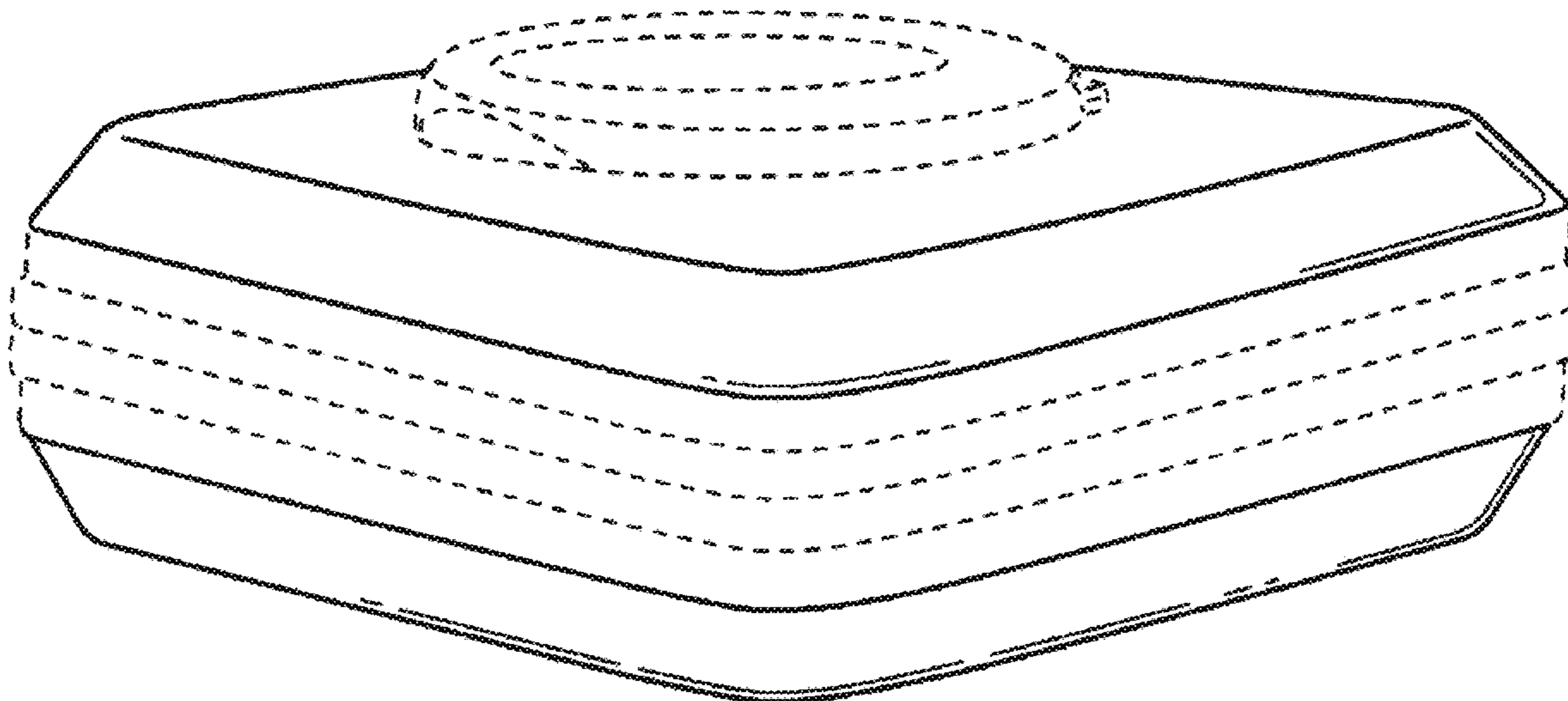
The broken-line disclosure in the views is understood to represent portions of the article in which the claimed design is embodied, but which form no part of the claimed design, and where a broken line abuts a claimed surface, it is understood to represent an unclaimed boundary between claimed and unclaimed surfaces.

(56) **References Cited**

1 Claim, 3 Drawing Sheets

U.S. PATENT DOCUMENTS

- D496,964 S * 10/2004 Thompson et al. D6/518
- D520,277 S * 5/2006 Smiley et al. D6/518
- D545,097 S * 6/2007 Schlaupitz et al. D6/518
- D546,602 S * 7/2007 Chasid et al. D6/518
- D564,812 S * 3/2008 Tomic et al. D6/518
- D579,702 S * 11/2008 McArdle D6/515



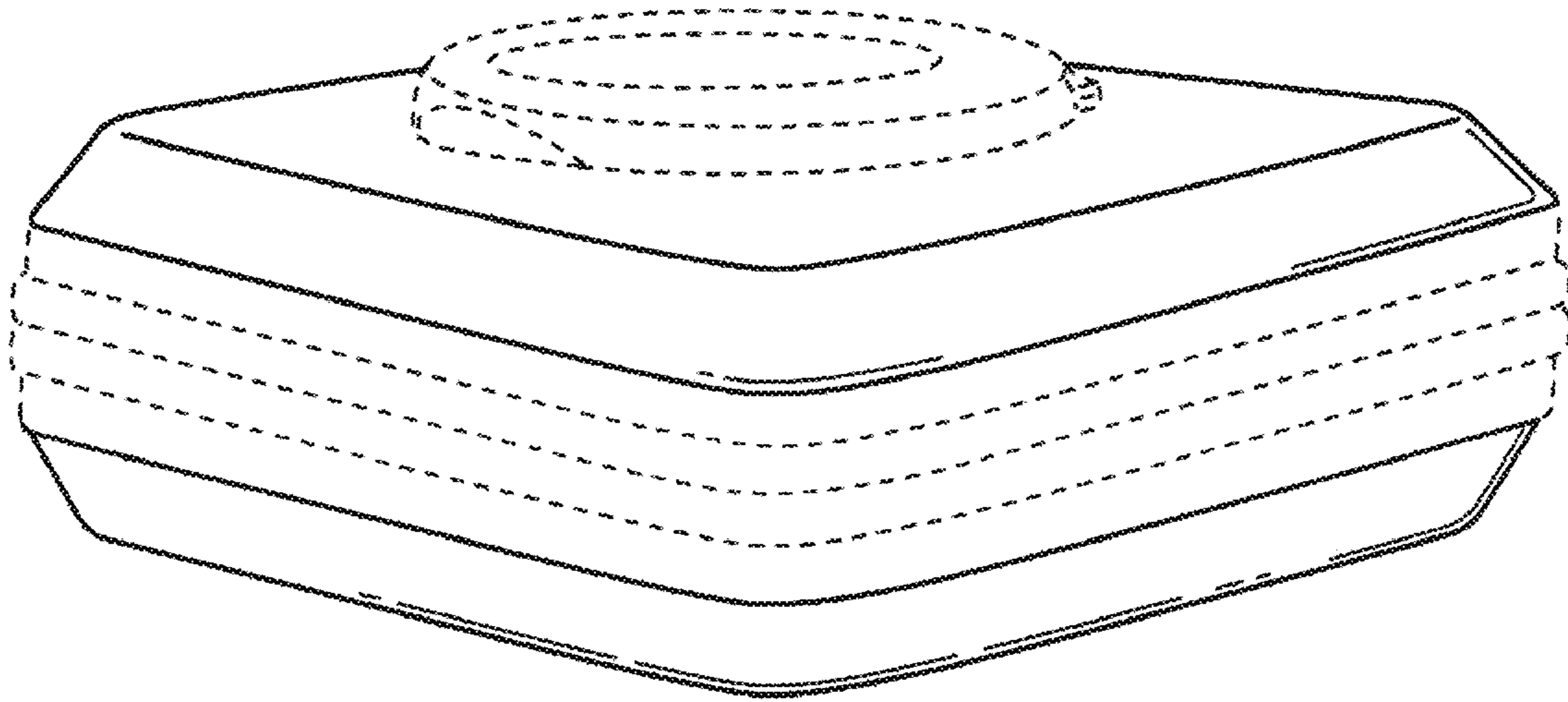


Fig. 1

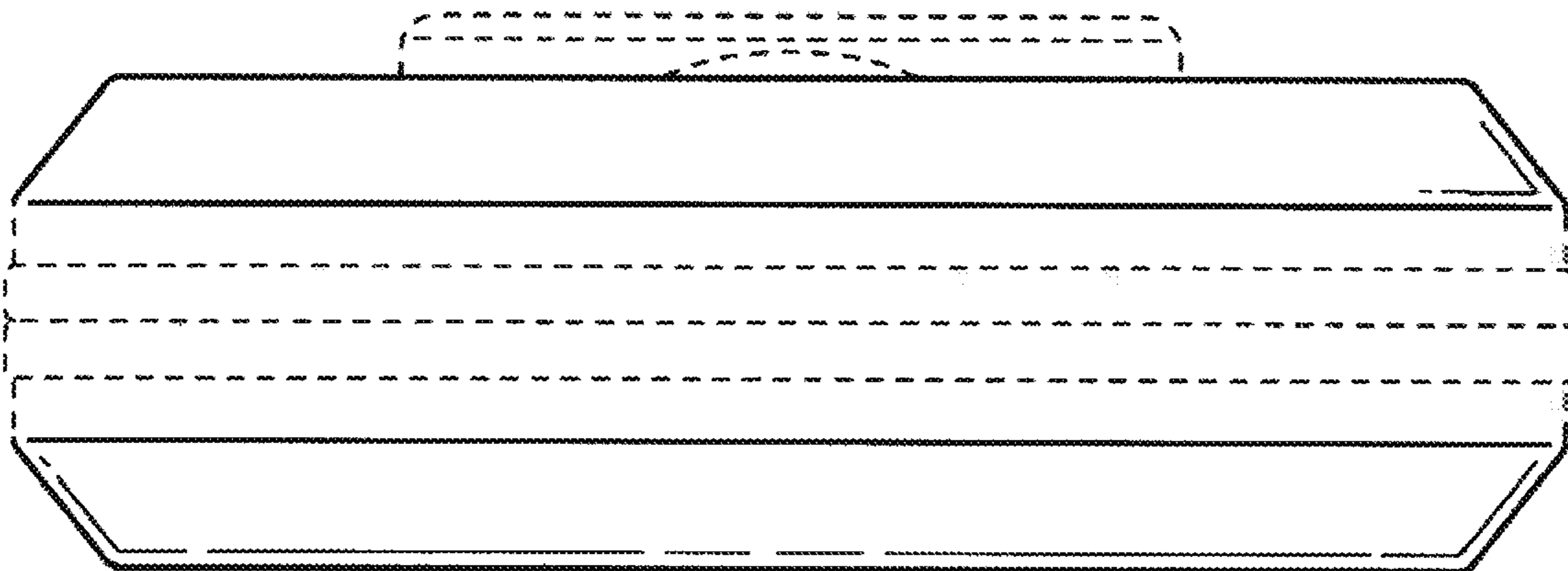


Fig. 2

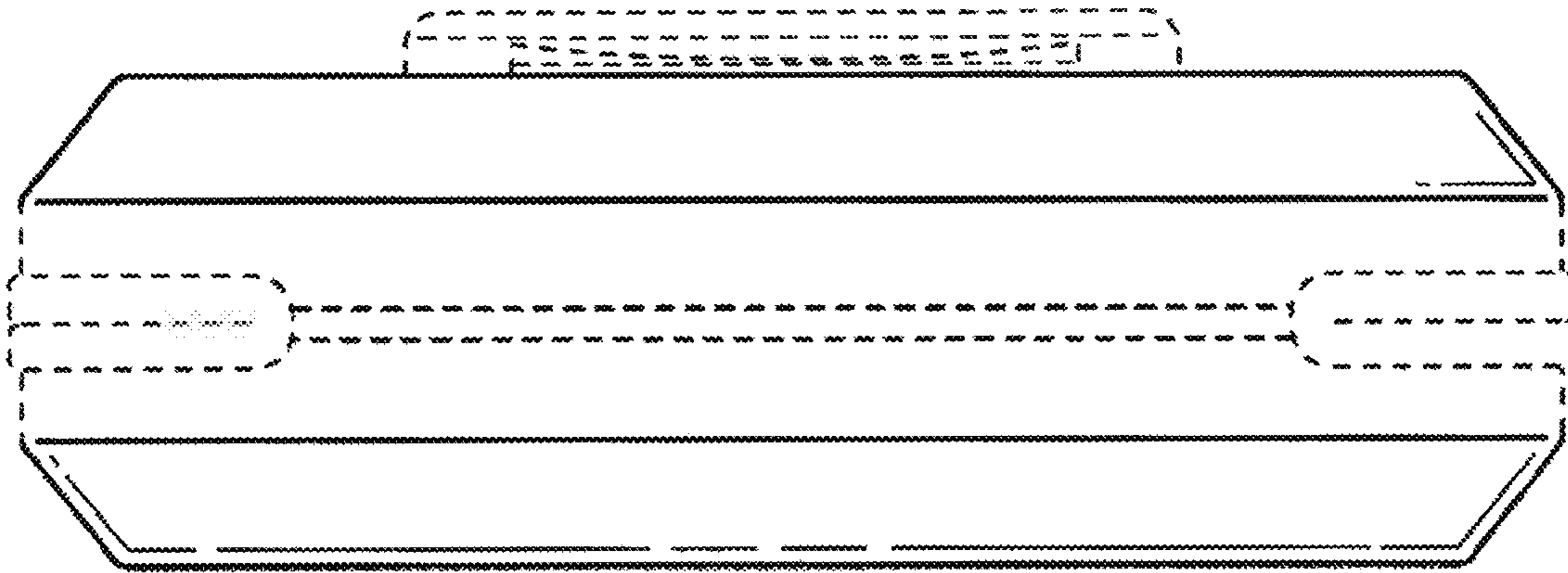


Fig. 3

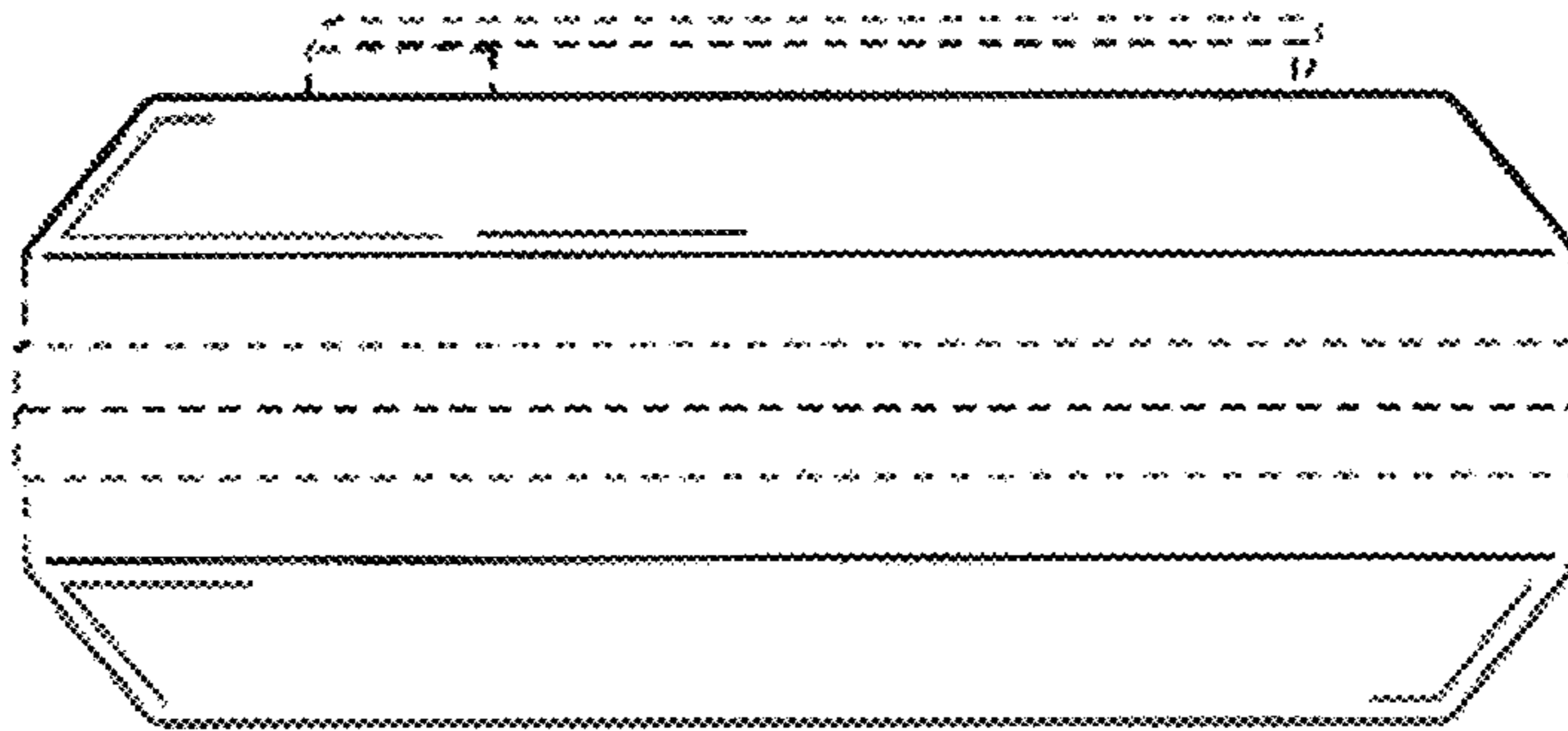


Fig. 4

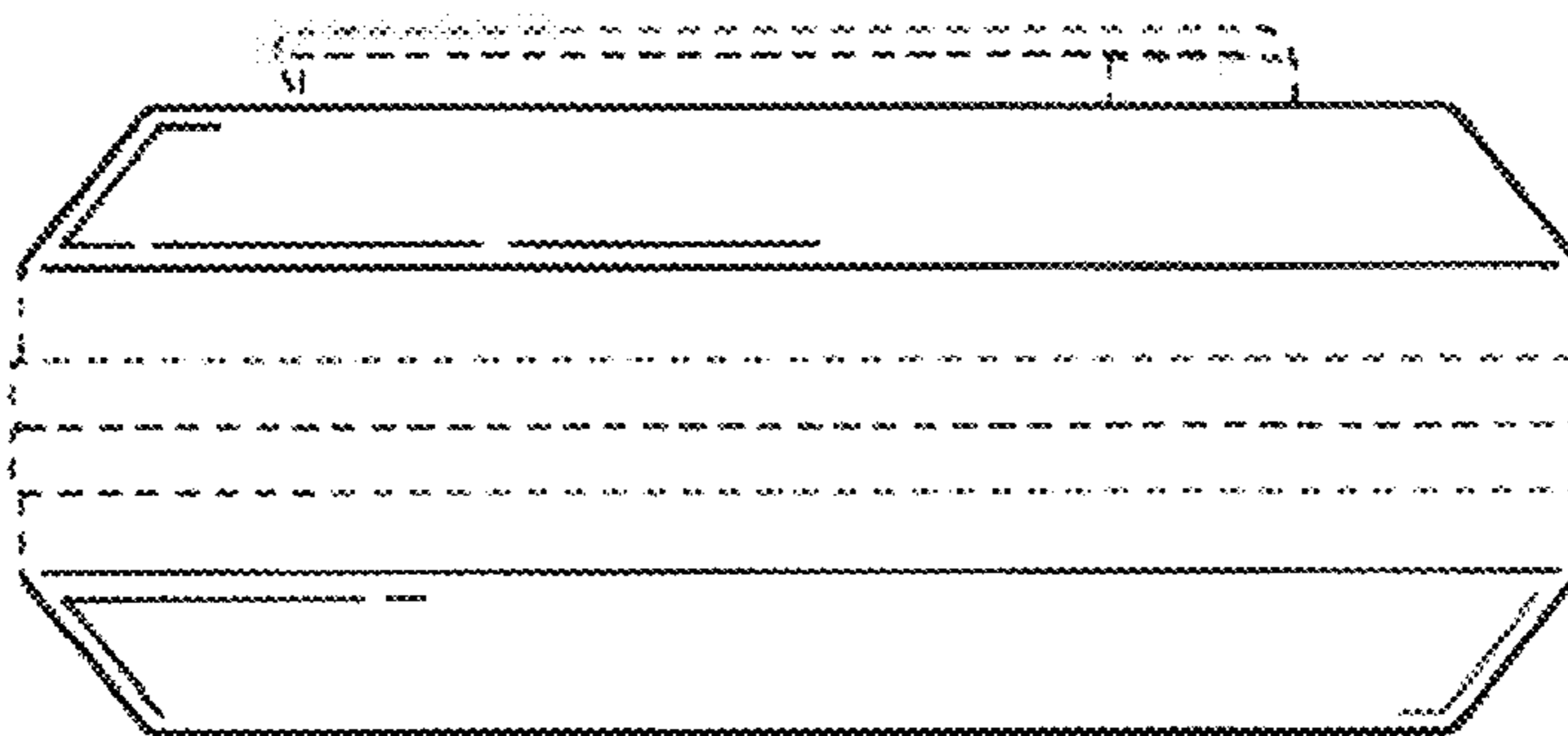


Fig. 5

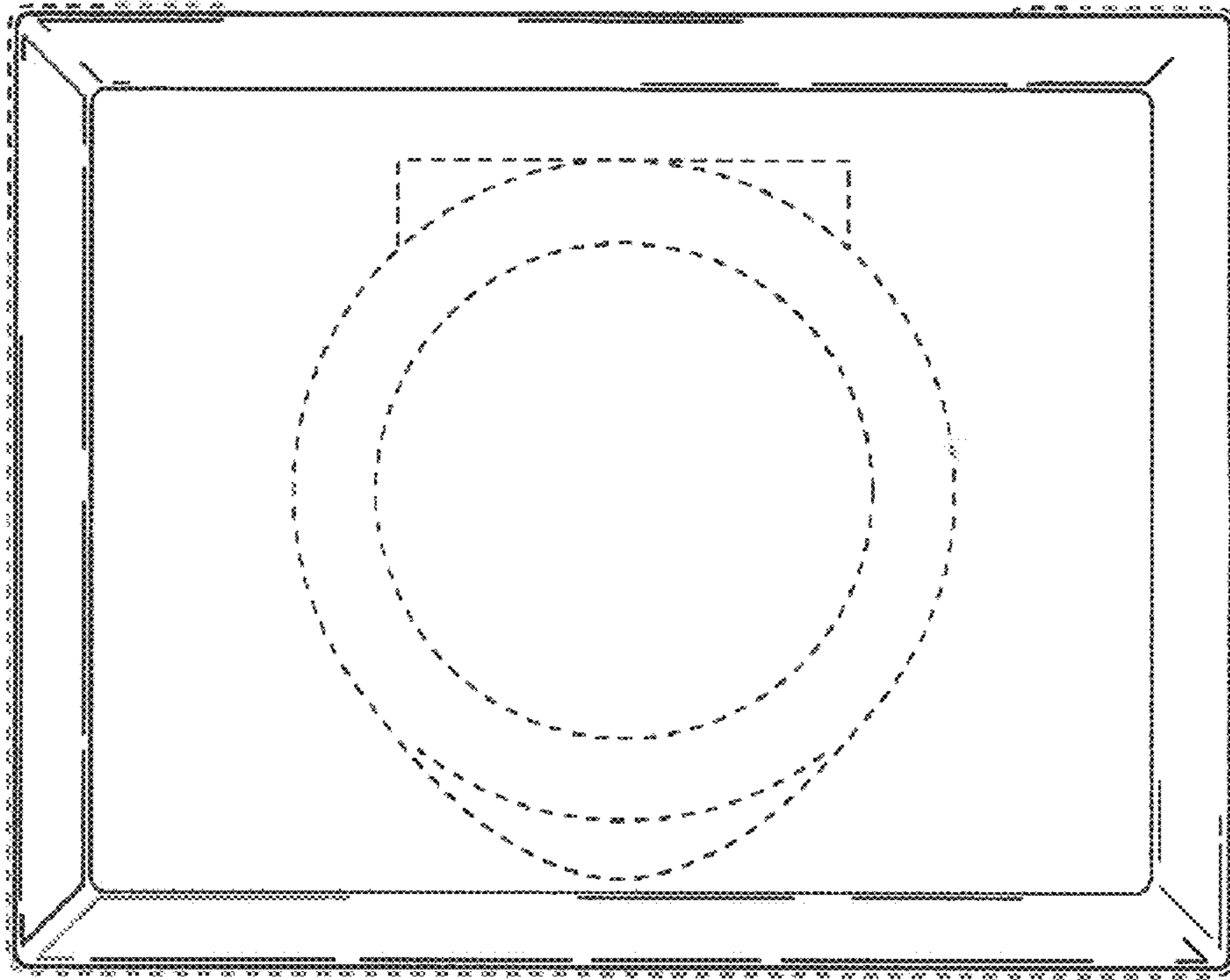


Fig. 6

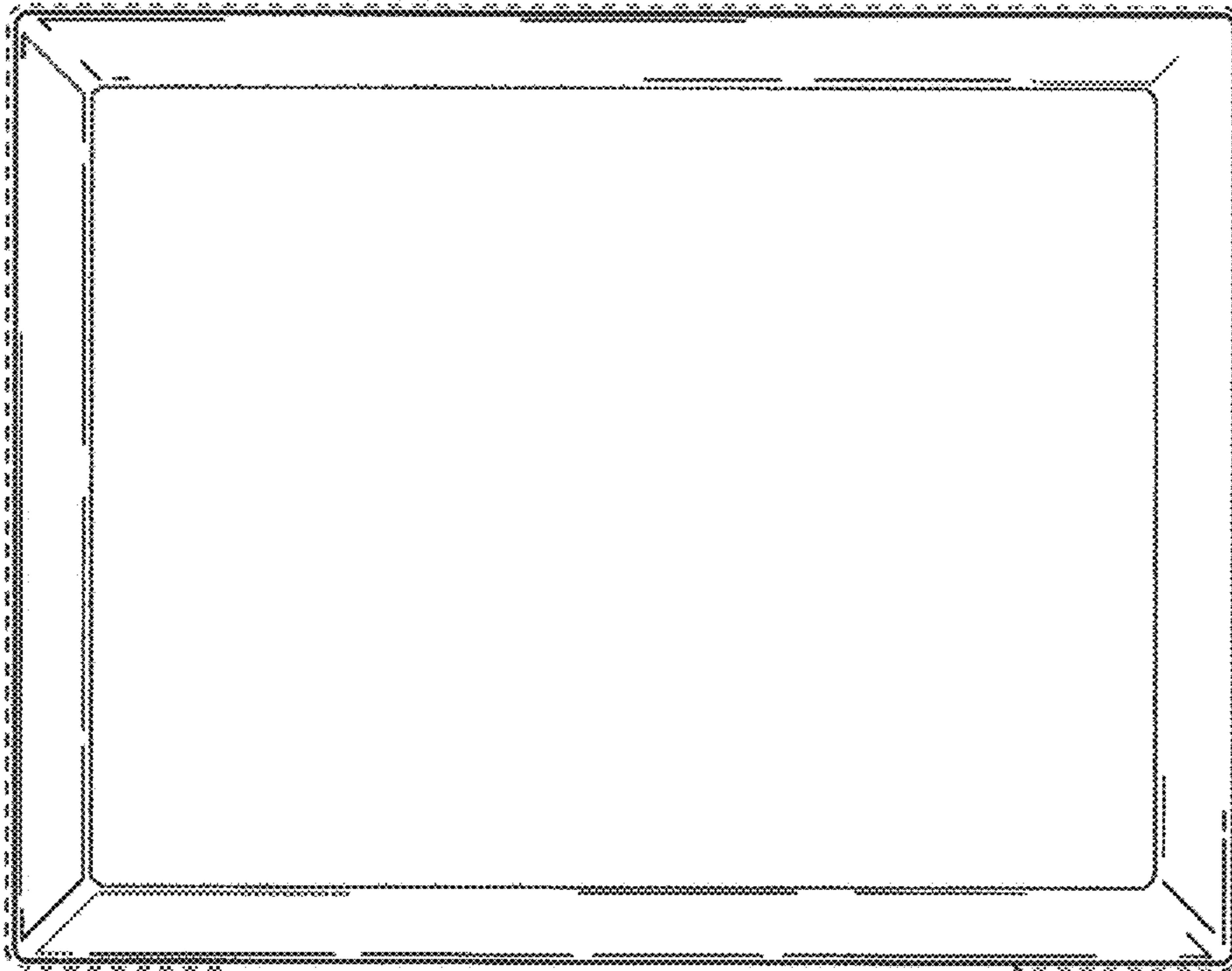


Fig. 7