



US00D611280S

(12) **United States Design Patent**  
**Goldberg**

(10) **Patent No.:** **US D611,280 S**  
(45) **Date of Patent:** **\*\* \*Mar. 9, 2010**

(54) **SHOP DESK WITH HUTCH**

FOREIGN PATENT DOCUMENTS

(75) Inventor: **Mark A. Goldberg**, Lido Beach, NY  
(US)

JP 404005910 A 1/1992

(73) Assignee: **Global Equipment Company Inc.**, Port  
Washington, NY (US)

OTHER PUBLICATIONS

(\* ) Notice: This patent is subject to a terminal dis-  
claimer.

Jacobs Gardner, 1999, p. 44, workstation hutch, right and 2nd from  
bottom.

(\*\*) Term: **14 Years**

*Primary Examiner*—Janice E Seeger

(21) Appl. No.: **29/336,186**

(74) *Attorney, Agent, or Firm*—Davidoff Malito & Hutcher  
LLP

(22) Filed: **Apr. 29, 2009**

(57) **CLAIM**

**Related U.S. Application Data**

The ornamental design for a shop desk with hutch, as shown  
and described.

(63) Continuation of application No. 11/360,228, filed on  
Feb. 23, 2006.

(51) **LOC (9) Cl.** ..... **06-06**

(52) **U.S. Cl.** ..... **D6/511; D6/426**

(58) **Field of Classification Search** ..... D6/510,  
D6/511, 420-426, 491; 312/194-196, 330.1;  
108/50.01, 50.02, 60

See application file for complete search history.

**DESCRIPTION**

(56) **References Cited**

**U.S. PATENT DOCUMENTS**

688,104 A	12/1901	Lohrman	
D121,622 S	7/1940	Bojesen	D6/420
D128,791 S	8/1941	Ullery	D6/426
D133,524 S	8/1942	Bergen	D6/425
D157,078 S	1/1950	Nemes	
D161,959 S	2/1951	Park	D6/397
2,903,316 A	9/1959	Schmidt	
D188,200 S	6/1960	Swarts et al.	D6/511
3,588,210 A	6/1971	Des Marias et al.	312/196
D239,350 S	3/1976	Vogt	D6/426

FIG. 1 is an isometric view of a shop desk with hutch, with the  
hutch in an upside down reversed orientation, middle posi-  
tioning on an underside of the shop desk.

FIG. 2 is an isometric view of the shop desk with hutch of  
FIG. 1, that is horizontally rotated 90° from the angle of the  
shop desk with hutch shown in FIG. 1.

FIG. 3 is a front view of the shop desk with hutch of FIGS. 1  
and 2.

FIG. 4 is a top plan view of the shop desk with hutch of FIGS.  
1 and 2.

FIG. 5 is a right side view of the shop desk with hutch of  
FIGS. 1 and 2 that is symmetric to the left side view thereof.

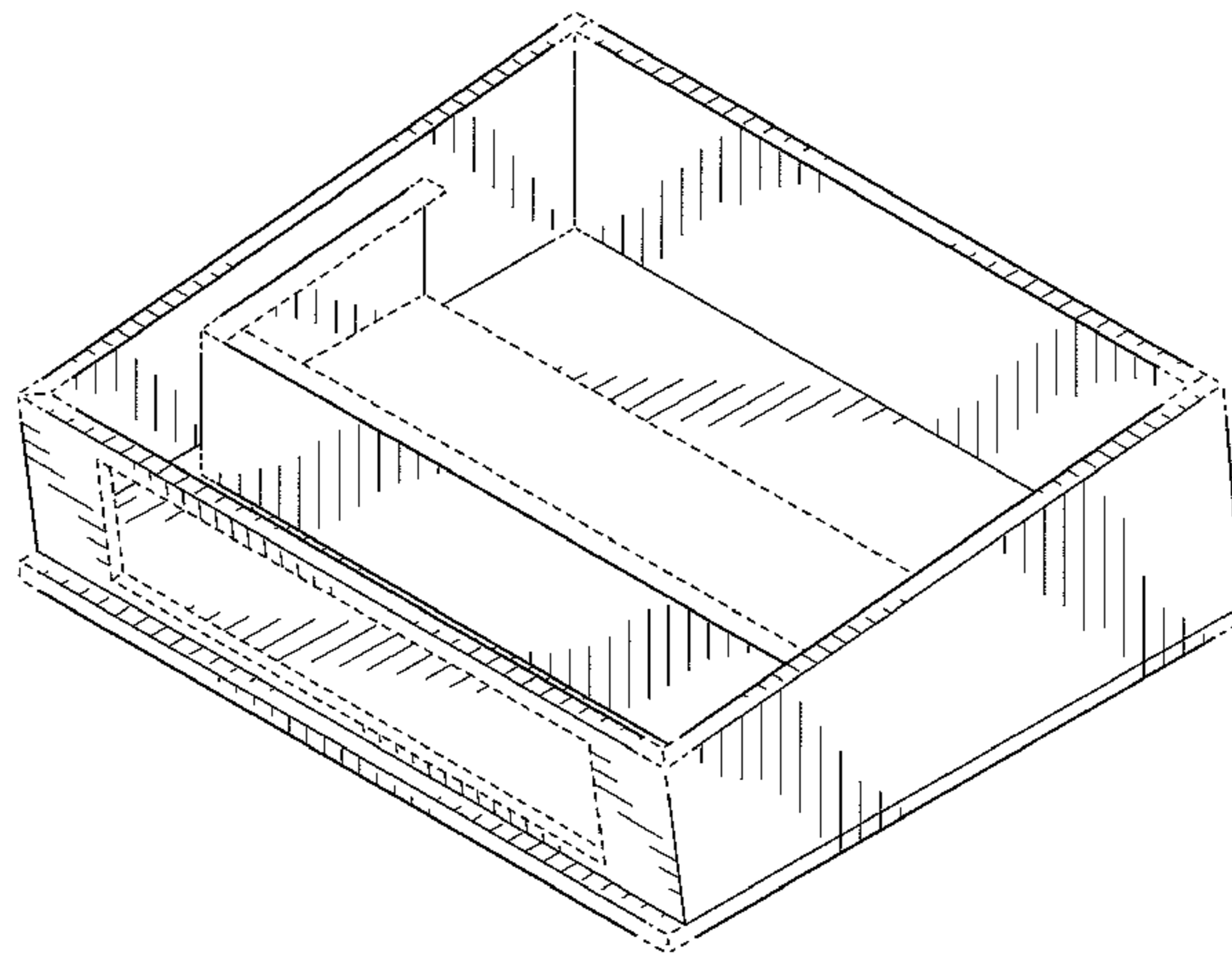
FIG. 6 is a rear view of the shop desk with hutch of FIGS. 1  
and 2; and,

FIG. 7 is a bottom plan view of the shop desk with hutch of  
FIGS. 1 and 2.

The broken lines form no part of the claimed design.

(Continued)

**1 Claim, 7 Drawing Sheets**



# US D611,280 S

Page 2

---

## U.S. PATENT DOCUMENTS

D247,866 S	5/1978	Sandoval .....	D6/503	D318,961 S *	8/1991	Edelson .....	D6/406.4
4,418,967 A	12/1983	Winkelman et al. ....	312/107	D335,591 S	5/1993	Lechman .....	D6/426
D294,440 S	3/1988	Werner .....	D6/422	D351,079 S *	10/1994	Brown .....	D6/510
4,870,630 A	9/1989	Blake		D472,399 S	4/2003	Casteel .....	D6/425
4,905,609 A	3/1990	Haskins		6,840,180 B2	1/2005	Ulmer	
D311,292 S	10/1990	Ennis, Jr. ....	D6/510	D534,750 S	1/2007	Emerson .....	D6/510
				D588,850 S	3/2009	Goldberg .....	D6/511

\* cited by examiner

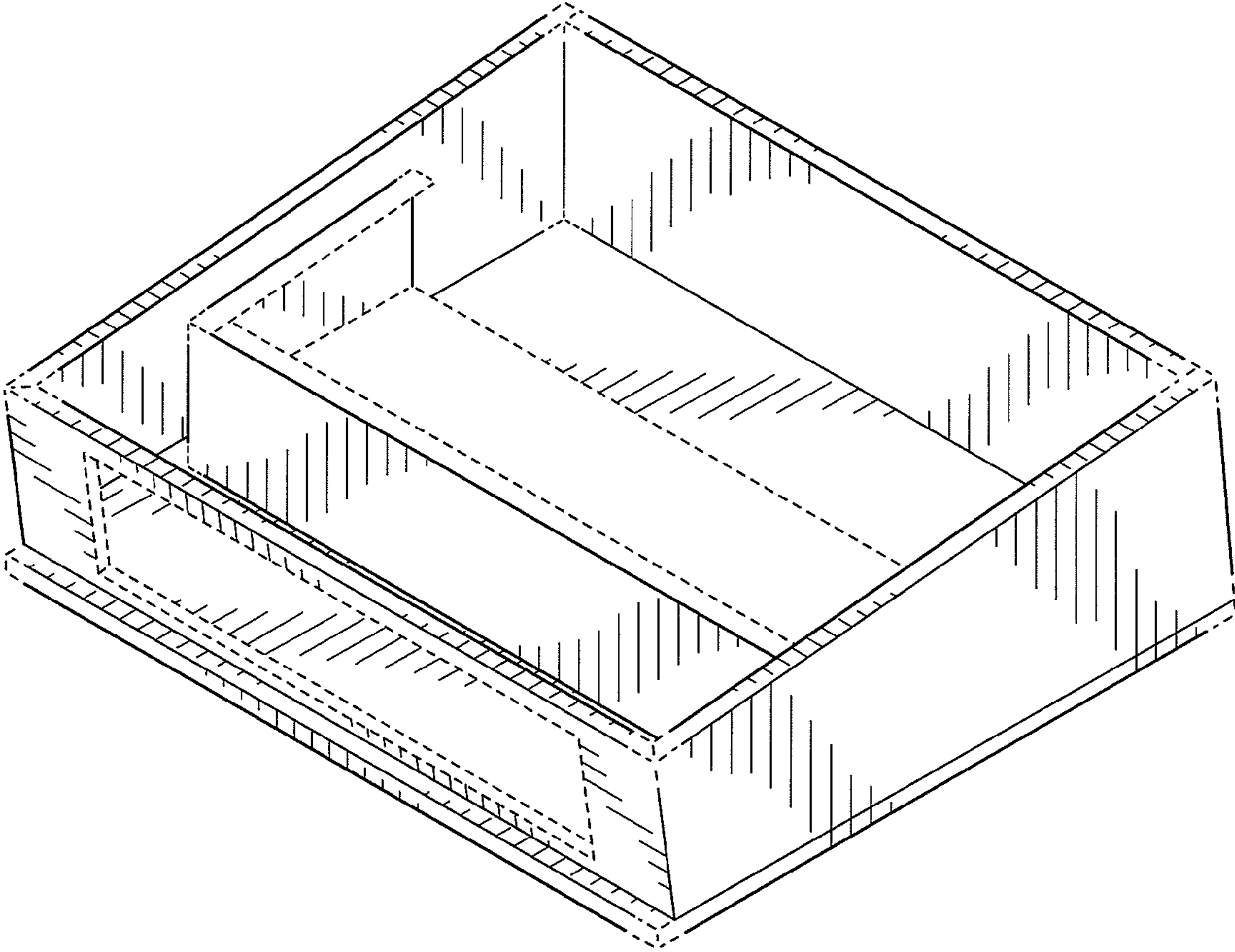


FIG. 1

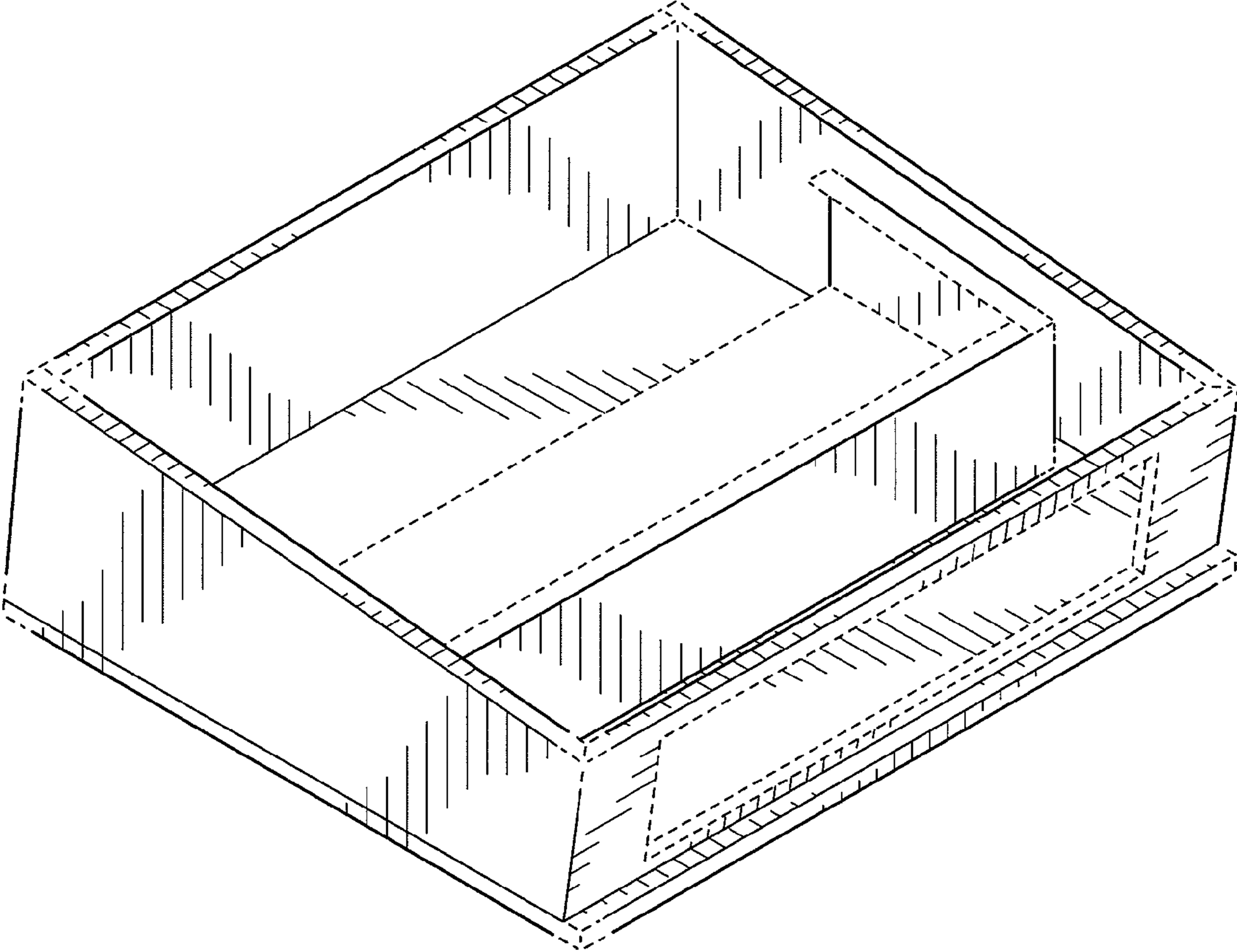


FIG. 2

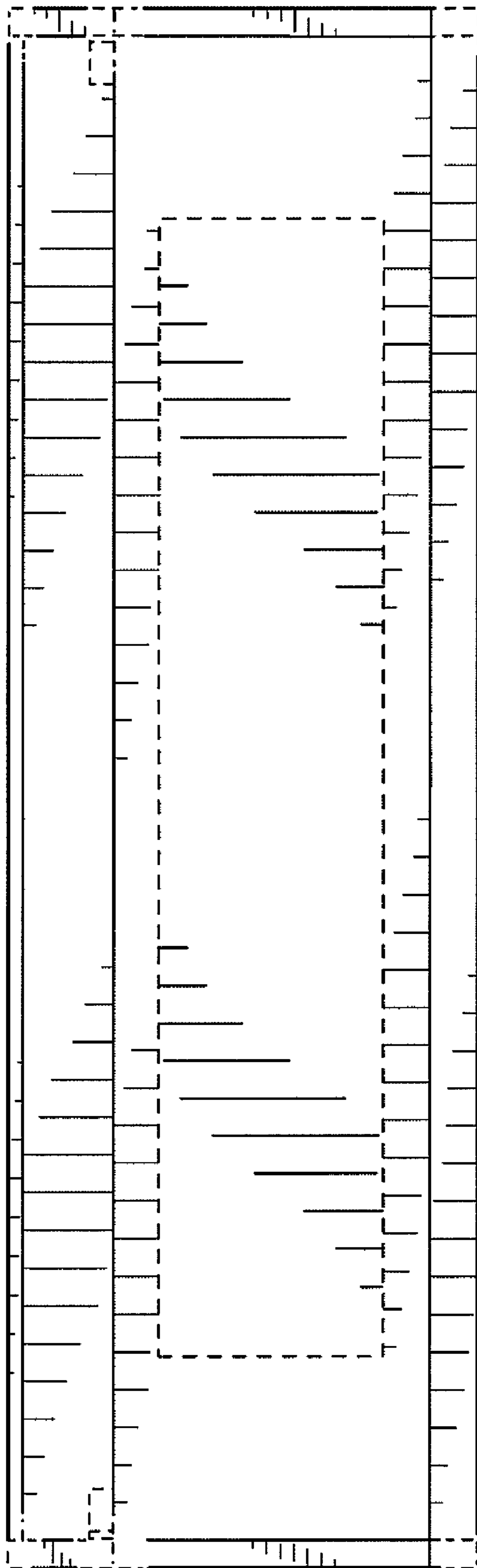


FIG. 3

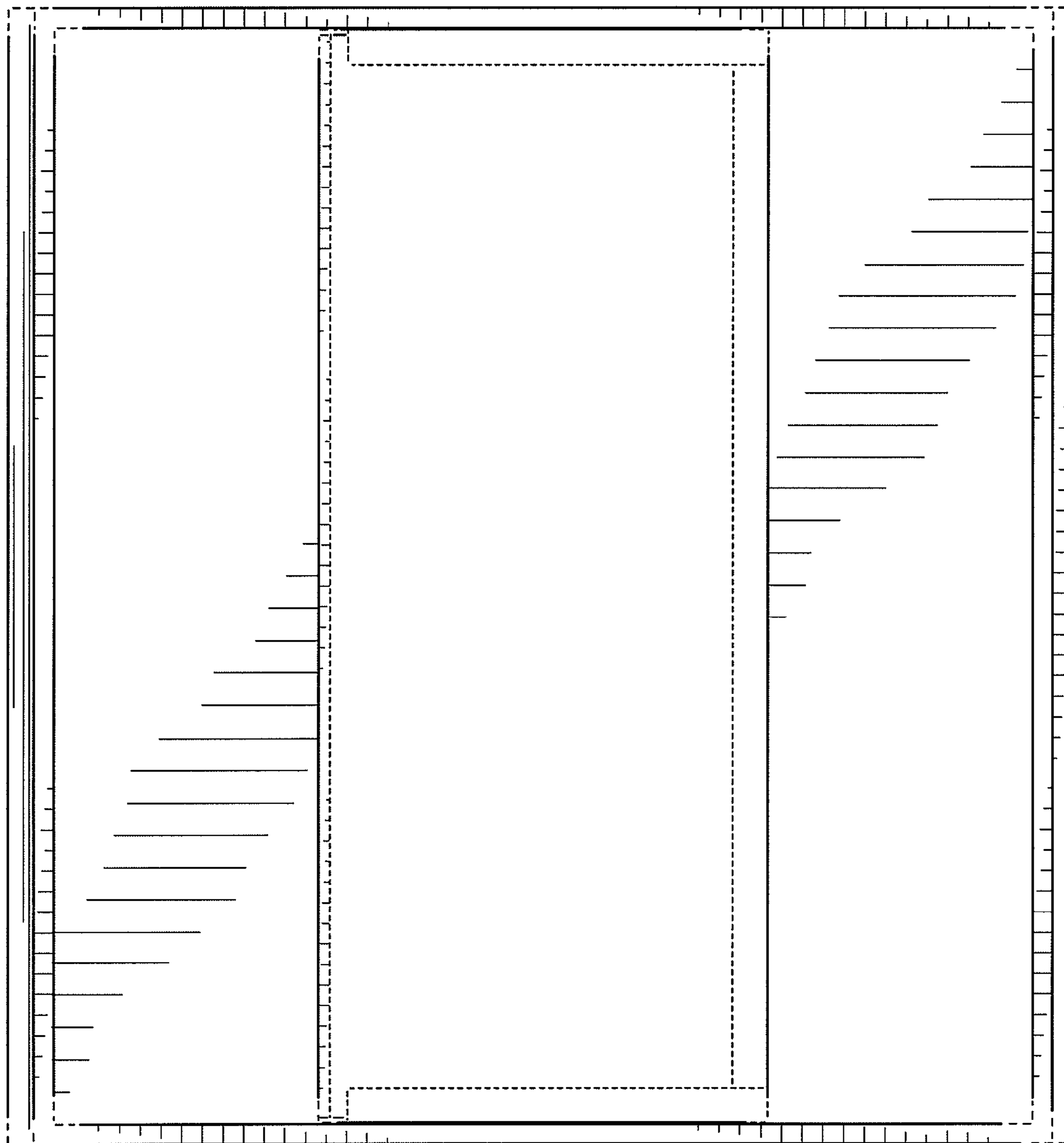


FIG. 4



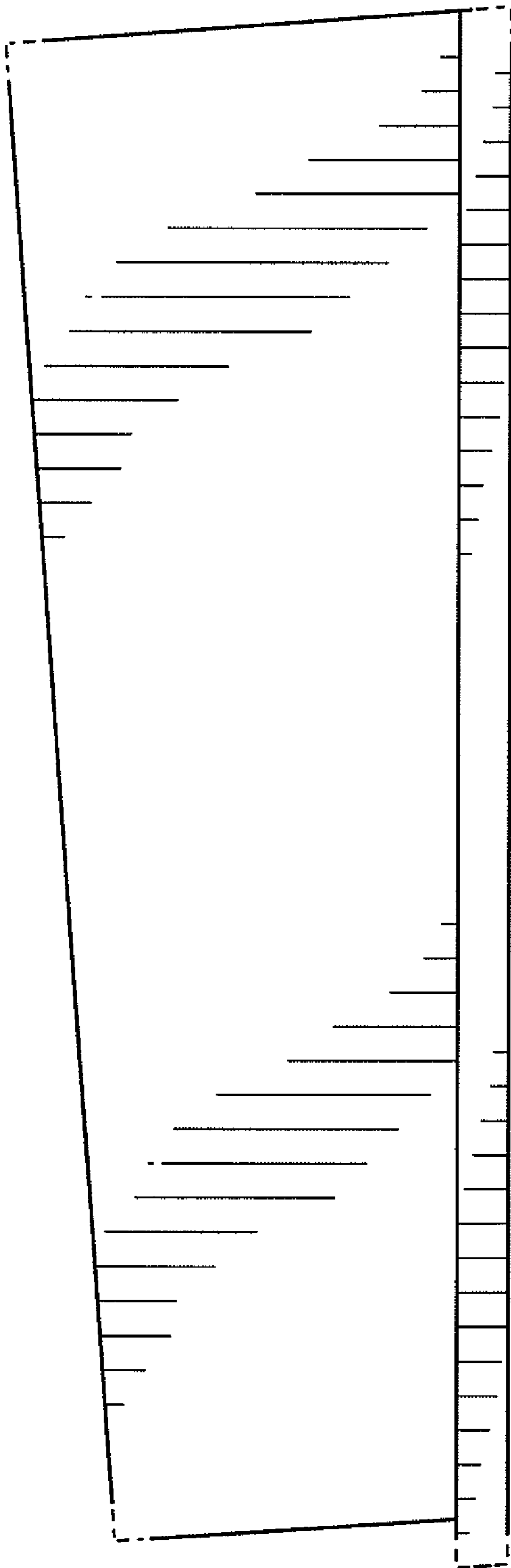


FIG. 5

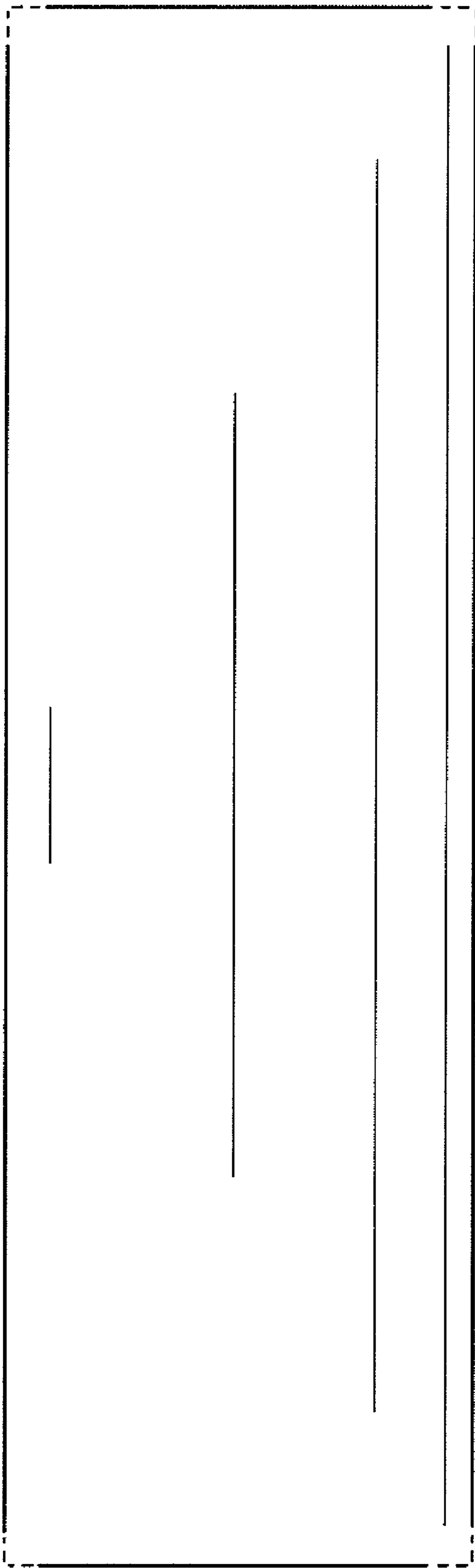


FIG. 6



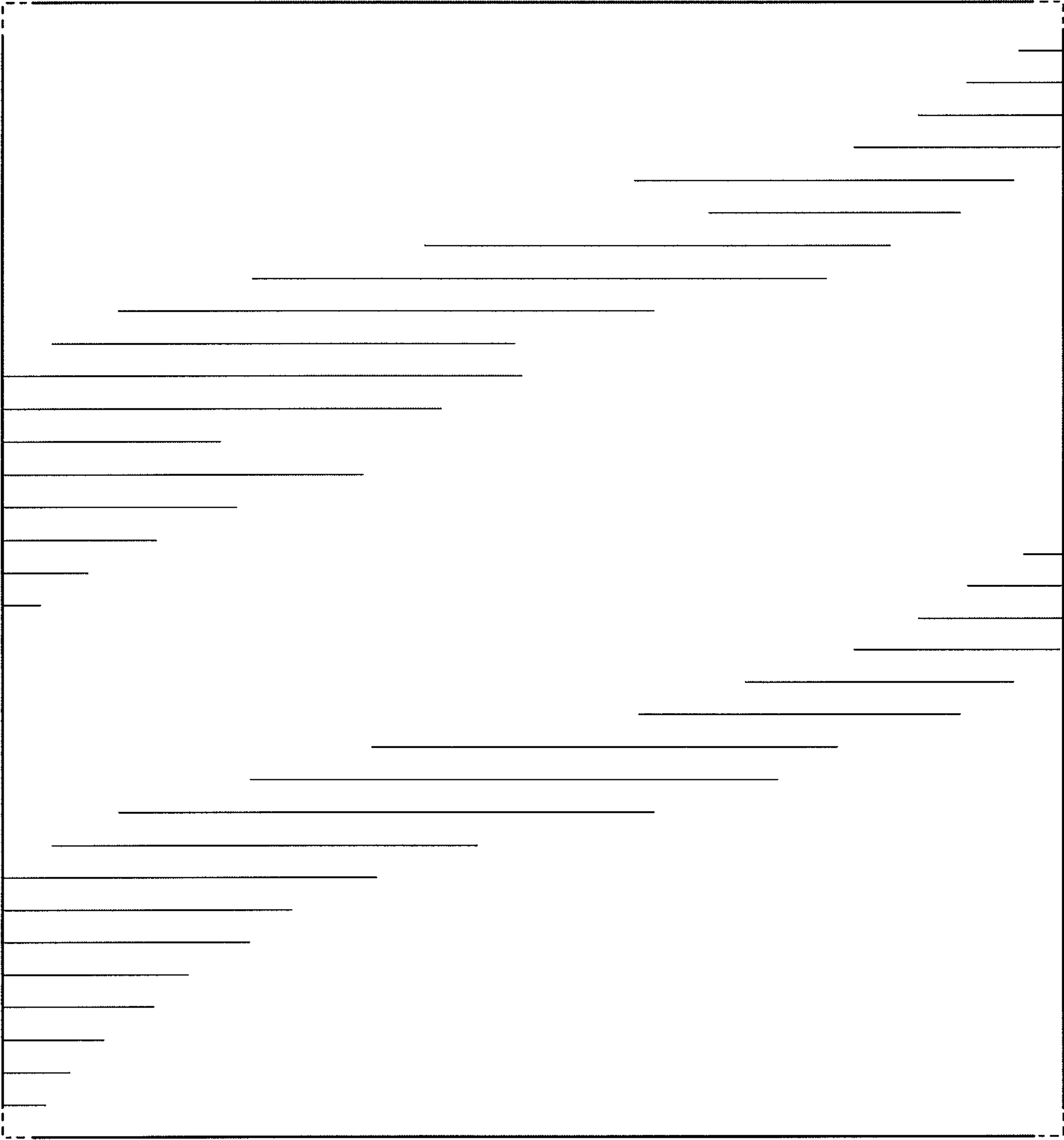


FIG. 7