



US00D611279S

(12) **United States Design Patent**  
**Goldberg**

(10) **Patent No.:** **US D611,279 S**  
(45) **Date of Patent:** **\*\* \*Mar. 9, 2010**

(54) **SHOP DESK WITH HUTCH**

FOREIGN PATENT DOCUMENTS

(75) Inventor: **Mark A. Goldberg**, Lido Beach, NY  
(US)

JP 404005910 A 1/1992

(73) Assignee: **Global Equipment Company, Inc.**, Port  
Washington, NY (US)

OTHER PUBLICATIONS

(\* ) Notice: This patent is subject to a terminal dis-  
claimer.

Jacobs Gardner, 1999, p. 44, workstation hutch, right and 2nd from  
bottom.

(\*\*) Term: **14 Years**

*Primary Examiner*—Janice E Seeger

(21) Appl. No.: **29/336,148**

(74) *Attorney, Agent, or Firm*—Davidoff Malito & Hutcher  
LLP

(22) Filed: **Apr. 29, 2009**

(57) **CLAIM**

**Related U.S. Application Data**

The ornamental design for a shop desk with hutch, as shown  
and described.

(63) Continuation of application No. 11/360,228, filed on  
Feb. 23, 2006.

(51) **LOC (9) Cl.** ..... **06-06**

**DESCRIPTION**

(52) **U.S. Cl.** ..... **D6/511; D6/426**

(58) **Field of Classification Search** ..... D6/510,  
D6/511, 420-426, 491; 312/194-196, 330.1;  
108/50.01, 50.02, 60

FIG. 1 is an isometric view of a shop desk with hutch, with the  
hutch in an upside down forward orientation, middle posi-  
tioning on an underside of the shop desk.

See application file for complete search history.

FIG. 2 is an isometric view of the shop desk with hutch of  
FIG. 1, that is horizontally rotated 90° from the angle of the  
shop desk with hutch shown in FIG. 1.

(56) **References Cited**

**U.S. PATENT DOCUMENTS**

|             |         |                   |         |
|-------------|---------|-------------------|---------|
| 688,104 A   | 12/1901 | Lohrman           |         |
| D121,622 S  | 7/1940  | Bojesen           | D6/420  |
| D128,791 S  | 8/1941  | Ullery            | D6/426  |
| D133,524 S  | 8/1942  | Bergen            | D6/425  |
| D157,078 S  | 1/1950  | Nemes             |         |
| D161,959 S  | 2/1951  | Park              | D6/397  |
| 2,903,316 A | 9/1959  | Schmidt           |         |
| D188,200 S  | 6/1960  | Swarts et al.     | D6/511  |
| 3,588,210 A | 6/1971  | Des Marias et al. | 312/196 |
| D239,350 S  | 3/1976  | Vogt              | D6/426  |

FIG. 3 is a front view of the shop desk with hutch of FIGS. 1  
and 2.

FIG. 4 is a top plan view of the shop desk with hutch of FIGS.  
1 and 2.

FIG. 5 is a right side view of the shop desk with hutch of  
FIGS. 1 and 2 that is symmetric to the left side view thereof.

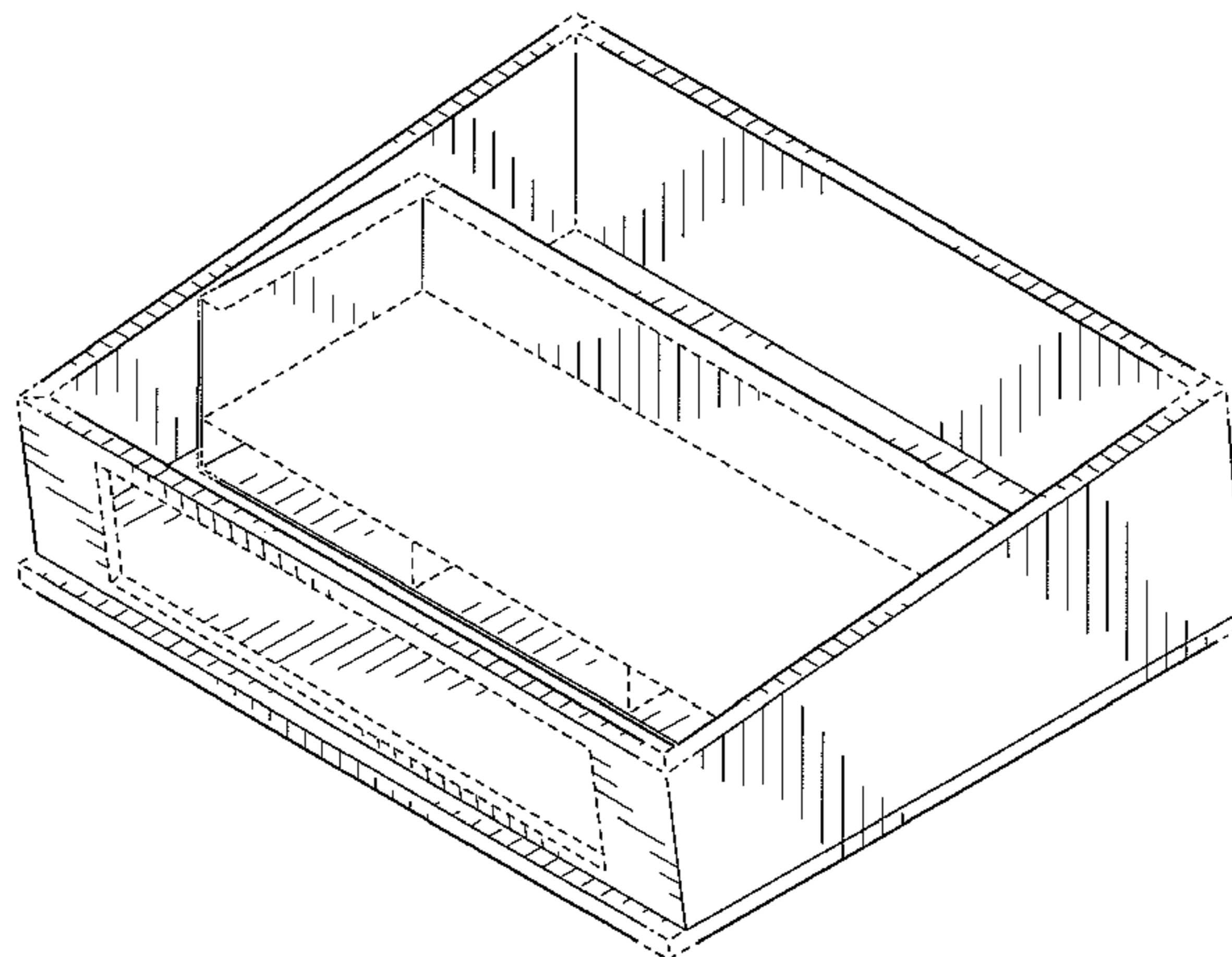
FIG. 6 is a rear view of the shop desk with hutch of FIGS. 1  
and 2; and,

FIG. 7 is a bottom plan view of the shop desk with hutch of  
FIGS. 1 and 2.

The broken lines form no part of the claimed design.

(Continued)

**1 Claim, 7 Drawing Sheets**



# US D611,279 S

Page 2

---

## U.S. PATENT DOCUMENTS

|             |         |                       |         |              |         |                |          |
|-------------|---------|-----------------------|---------|--------------|---------|----------------|----------|
| D247,866 S  | 5/1978  | Sandoval .....        | D6/503  | D318,961 S * | 8/1991  | Edelson .....  | D6/406.4 |
| 4,418,967 A | 12/1983 | Winkelman et al. .... | 312/107 | D335,591 S   | 5/1993  | Lechman .....  | D6/426   |
| D294,440 S  | 3/1988  | Werner .....          | D6/422  | D351,079 S * | 10/1994 | Brown .....    | D6/510   |
| 4,870,630 A | 9/1989  | Blake                 |         | D472,399 S   | 4/2003  | Casteel .....  | D6/425   |
| 4,905,609 A | 3/1990  | Haskins               |         | 6,840,180 B2 | 1/2005  | Ulmer          |          |
| D311,292 S  | 10/1990 | Ennis, Jr. ....       | D6/510  | D534,750 S   | 1/2007  | Emerson .....  | D6/510   |
|             |         |                       |         | D588,850 S   | 3/2009  | Goldberg ..... | D6/511   |

\* cited by examiner

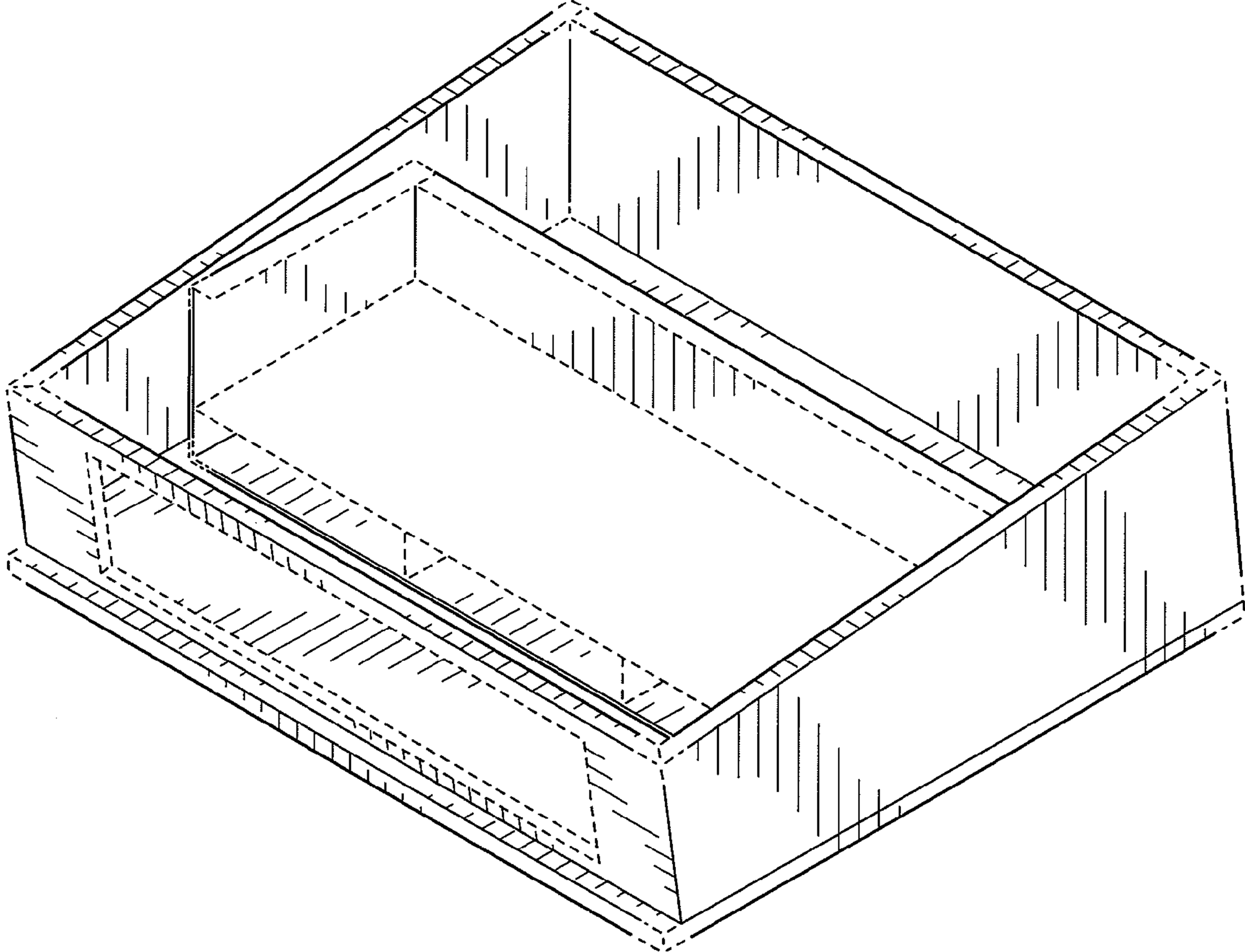


FIG. 1

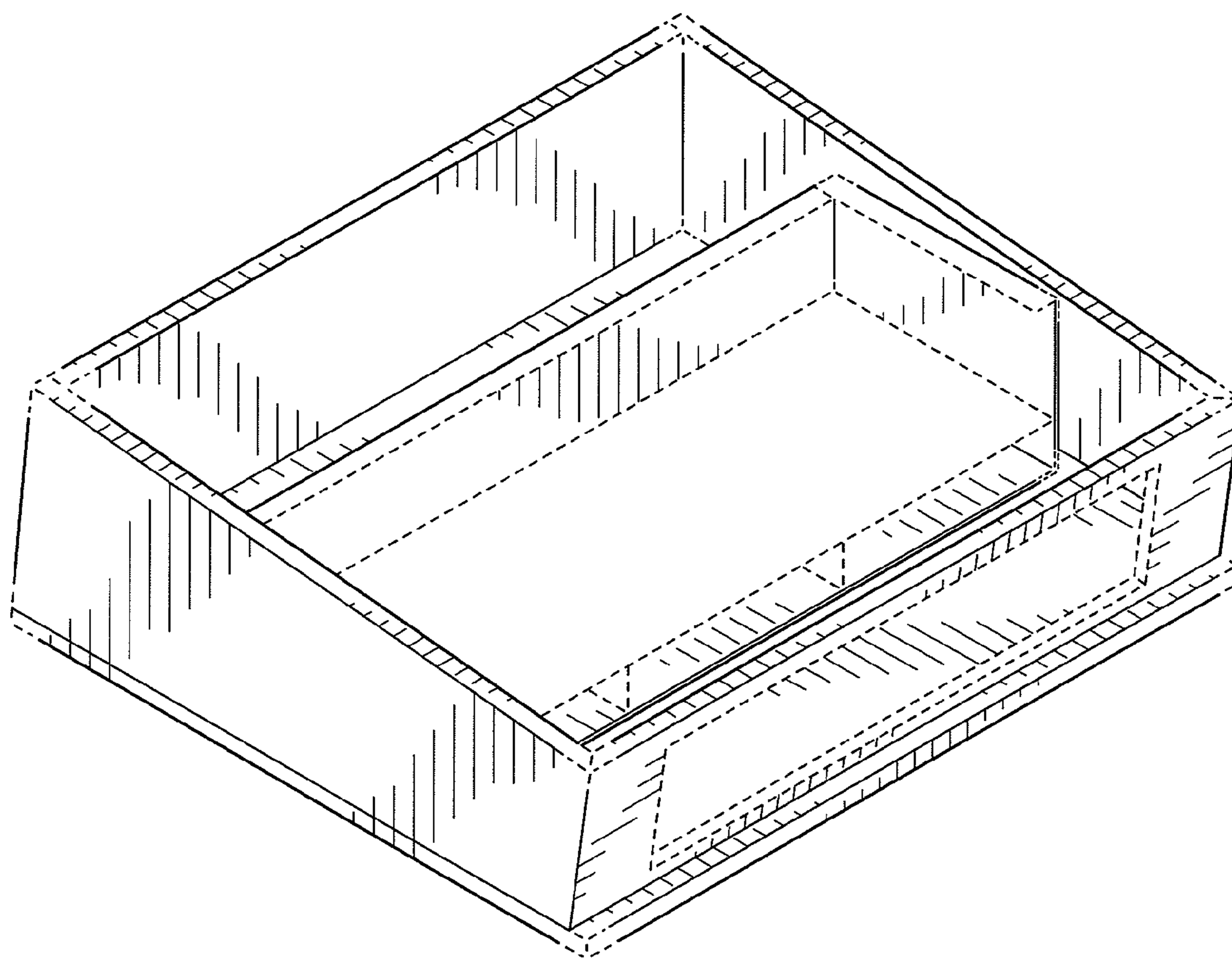


FIG. 2

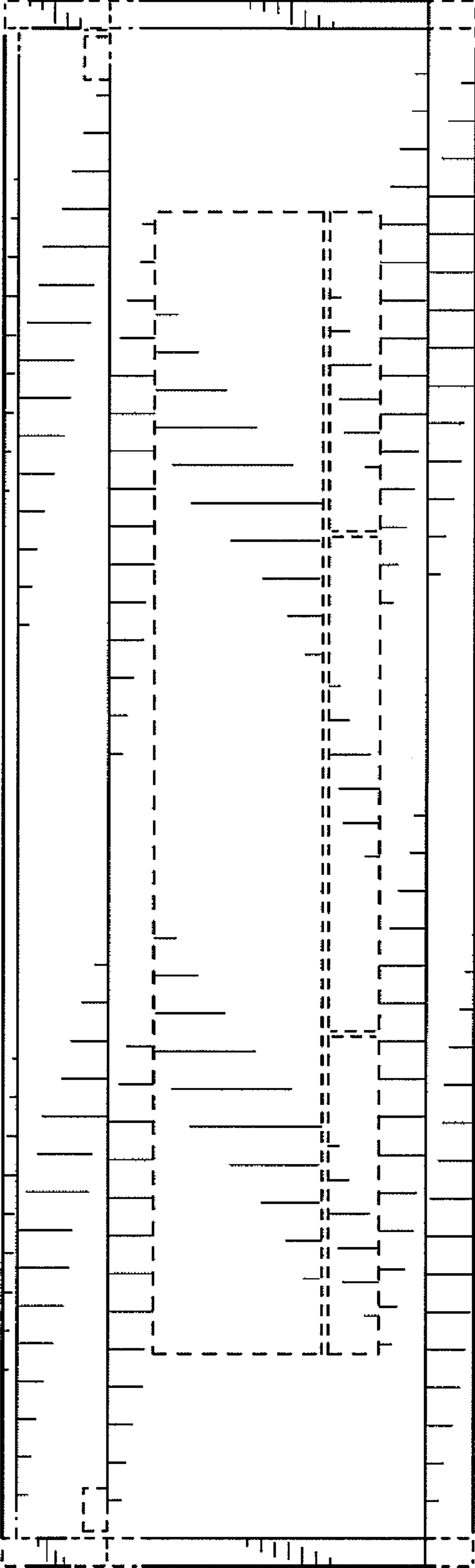


FIG. 3

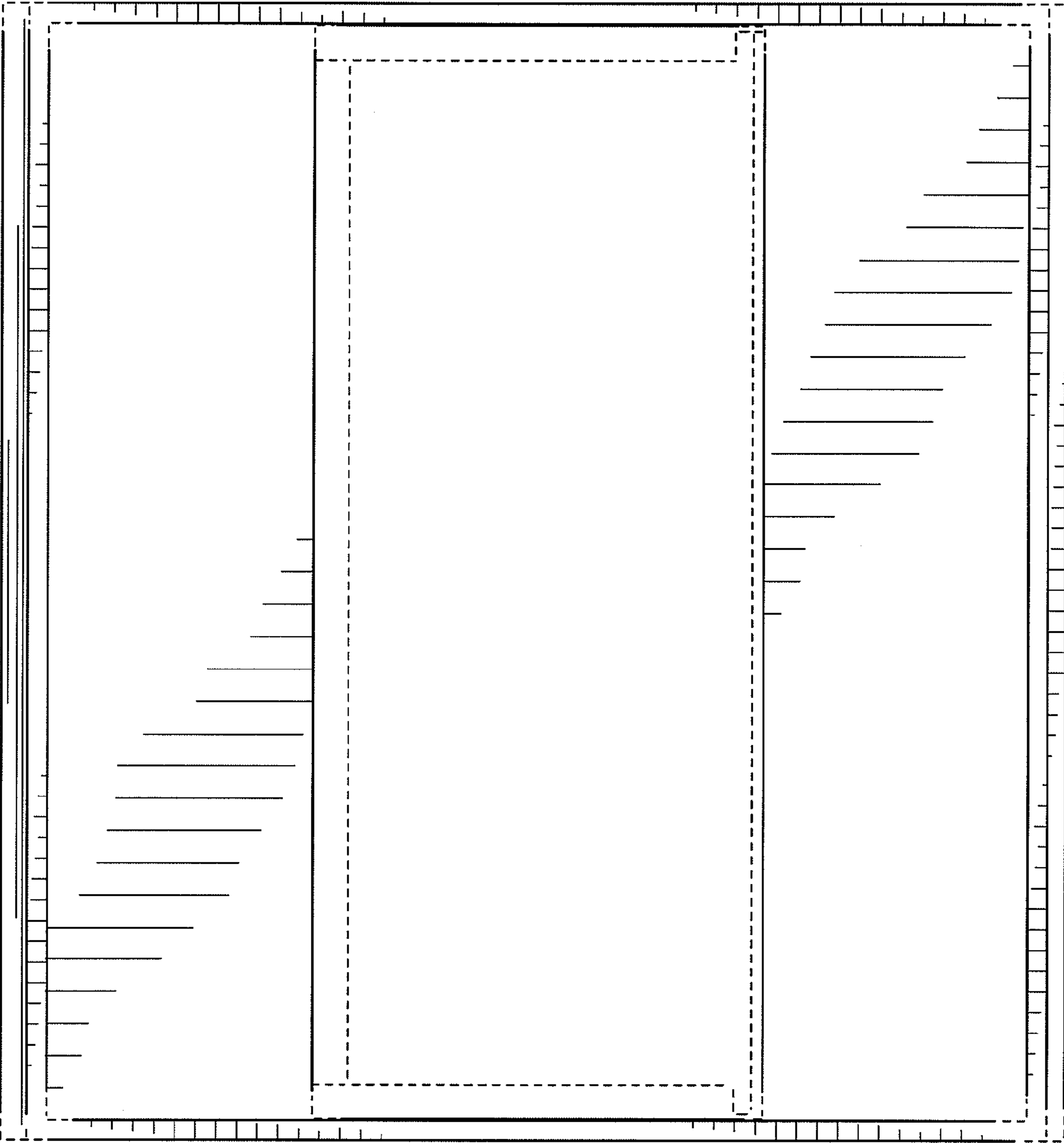


FIG. 4

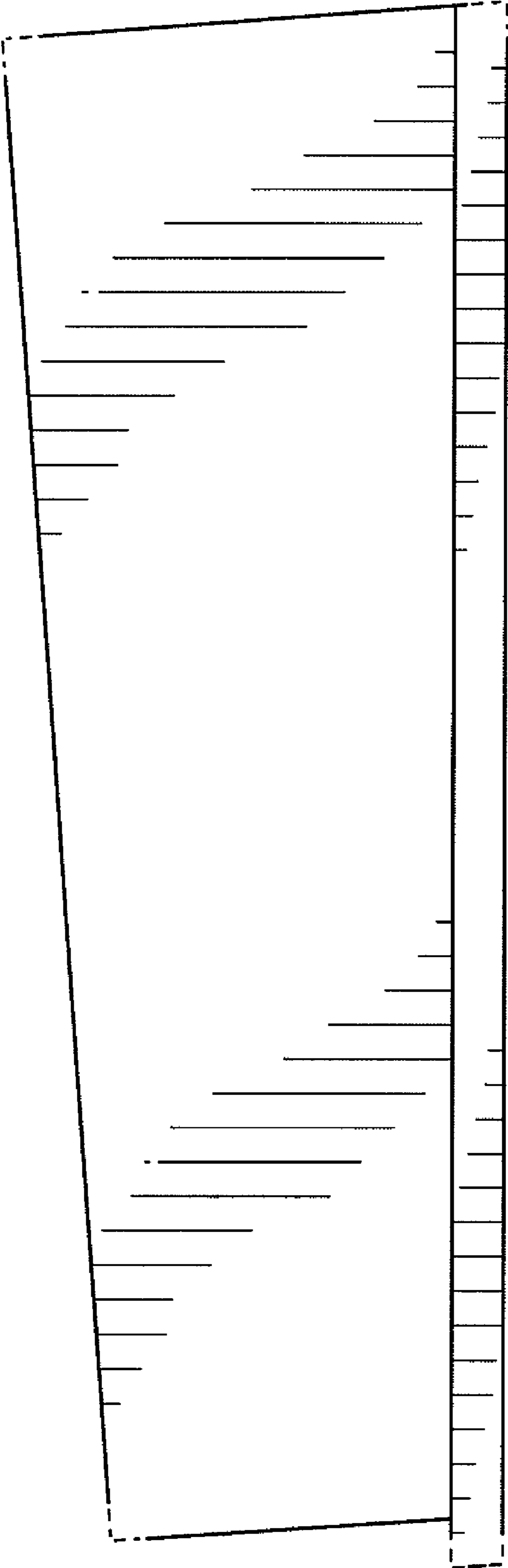


FIG. 5

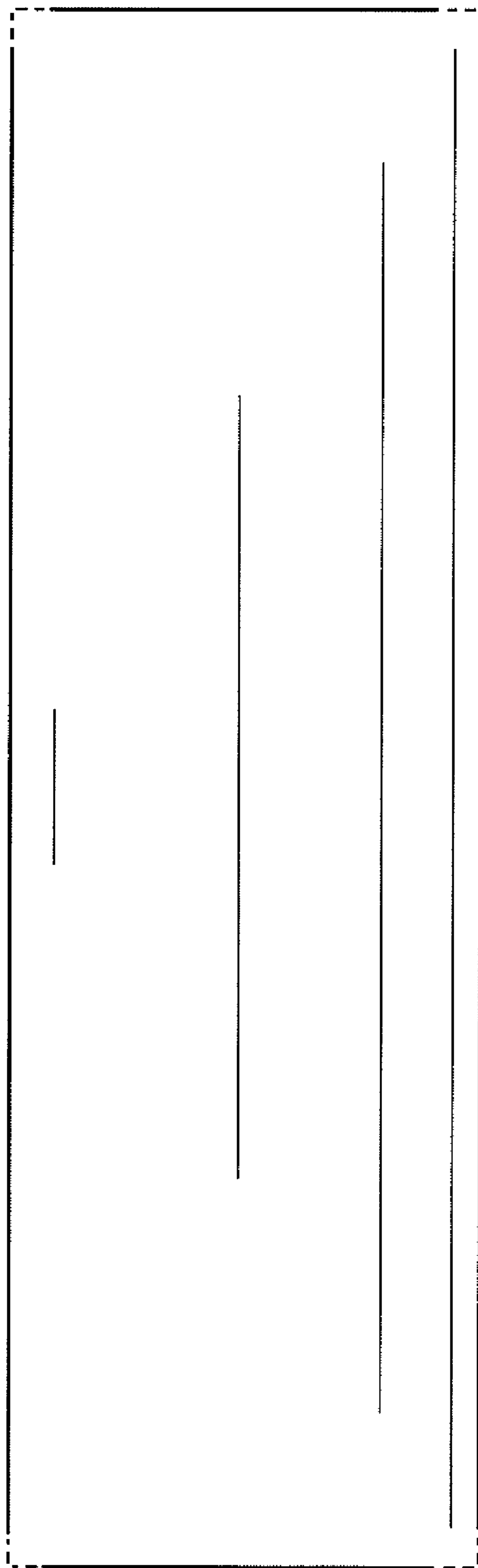


FIG. 6



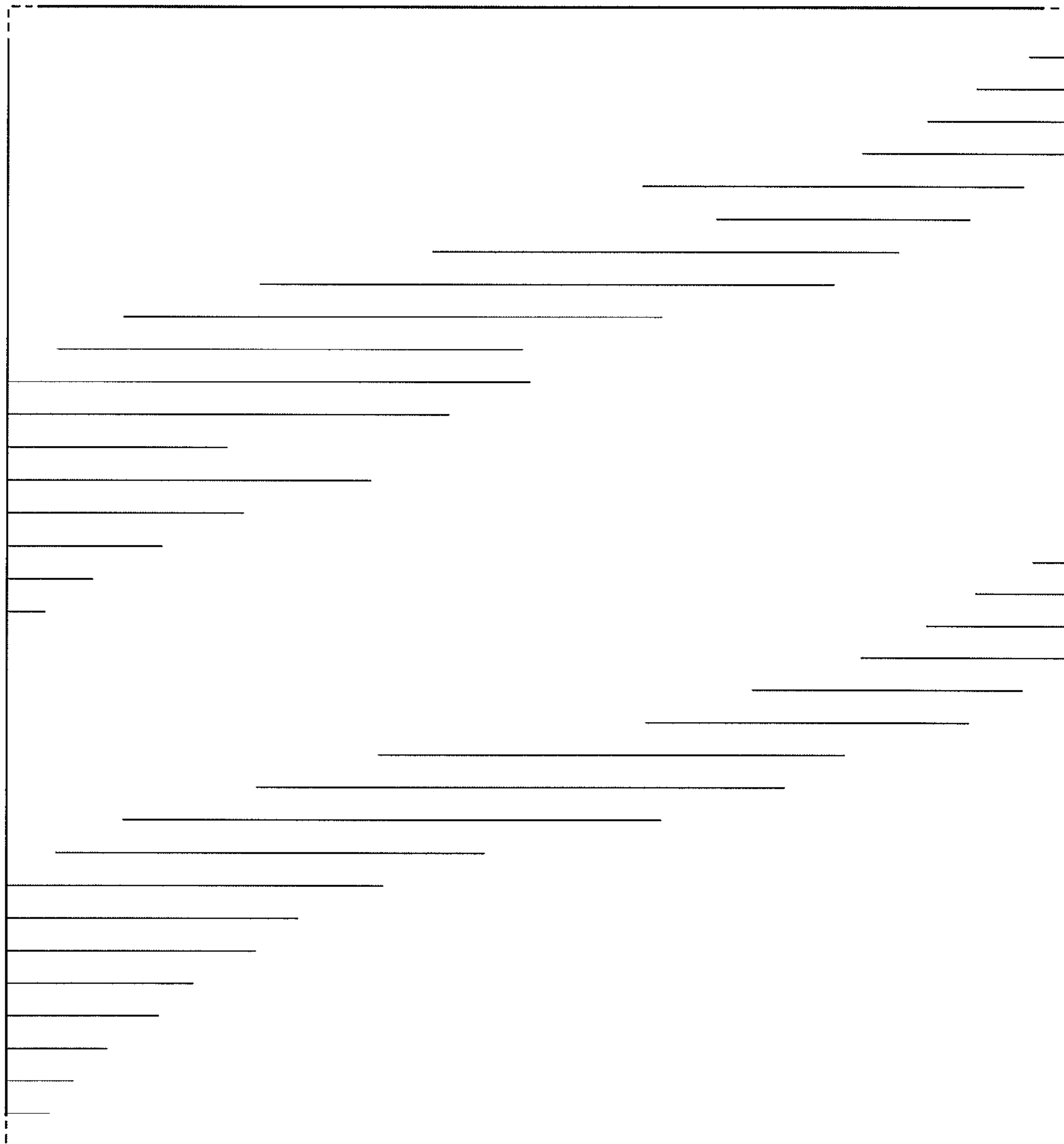


FIG. 7