



US00D611278S

(12) **United States Design Patent**
Haaf et al.

(10) **Patent No.:** **US D611,278 S**
(45) **Date of Patent:** **** Mar. 9, 2010**

(54) **BENCH SEAT**

(75) Inventors: **James Haaf**, Tampa, FL (US); **Charles Rocker**, Tampa, FL (US); **Andrew Moos**, Tampa, FL (US)

(73) Assignee: **Metropolitan Advertising Company**, Tampa, FL (US)

(**) Term: **14 Years**

(21) Appl. No.: **29/321,169**

(22) Filed: **Jul. 11, 2008**

(51) **LOC (9) Cl.** **06-01**

(52) **U.S. Cl.** **D6/502**

(58) **Field of Classification Search** D6/334,
D6/349, 355, 359, 369, 370, 371, 381-383,
D6/491, 492, 500-503; 297/94, 181, 233,
297/234, 235, 283.2, 311, 351, 353, 354.1,
297/354.12, 354.13, 445.1, 451.1, 451.8,
297/451.9; 5/12.1, 12.2

See application file for complete search history.

(56) **References Cited**

U.S. PATENT DOCUMENTS

D354,630 S * 1/1995 Tomczak D6/364

D512,229 S * 12/2005 Reza-Hadden D6/355

D516,337 S * 3/2006 Reza-Hadden D6/381

* cited by examiner

Primary Examiner—Sandra Snapp

(74) *Attorney, Agent, or Firm*—Eric R. Pellenbarg

(57) **CLAIM**

The ornamental design for a bench seat, as shown and described.

DESCRIPTION

FIG. 1 is a perspective view of a bench seat comprising our design;

FIG. 2 is a perspective view of a bench seat comprising our design;

FIG. 3 is a top plan view comprising our design;

FIG. 4 is a front elevation view comprising our design;

FIG. 5 is a bottom plan view comprising our design;

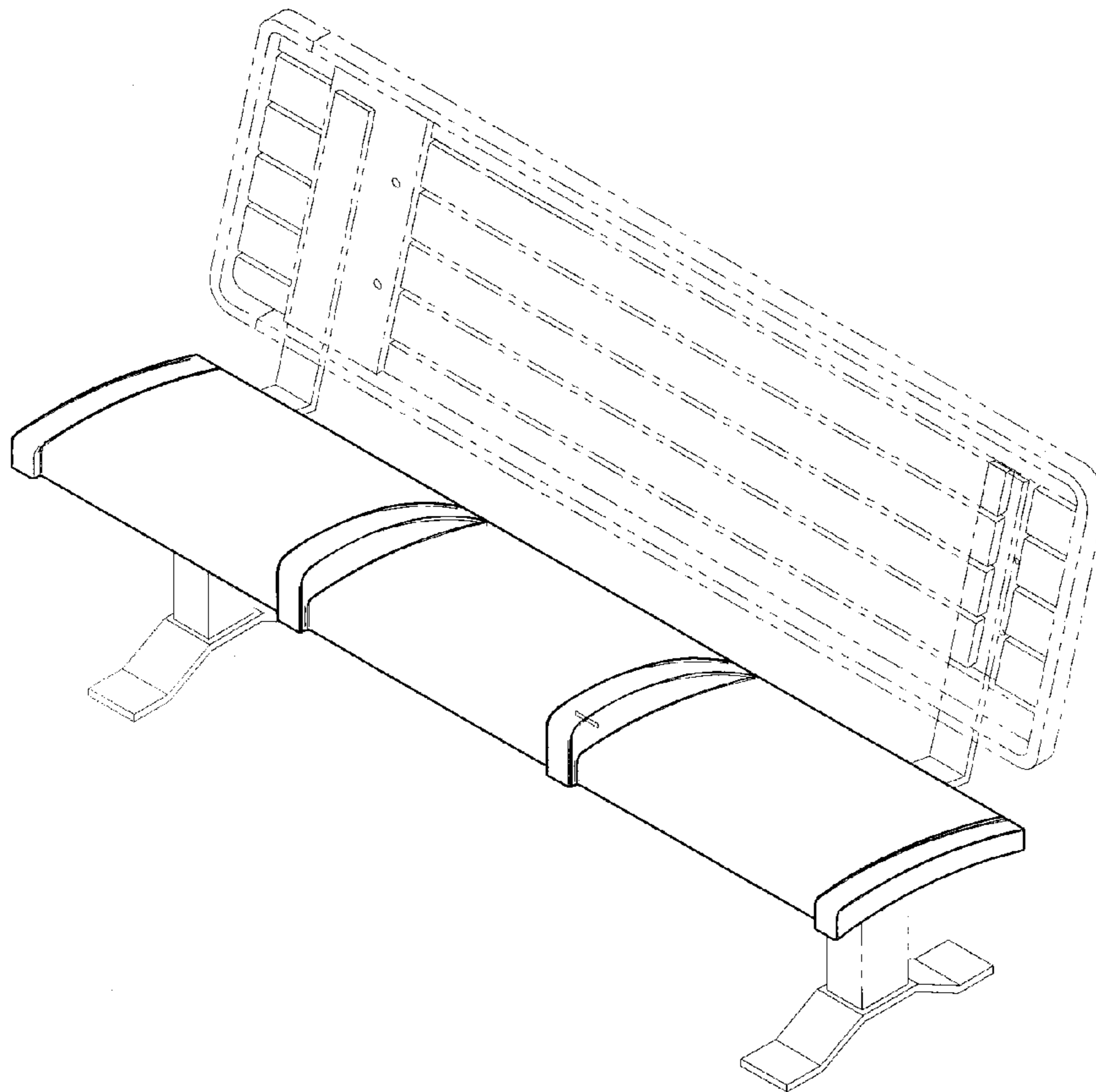
FIG. 6 is a rear elevation view comprising our design;

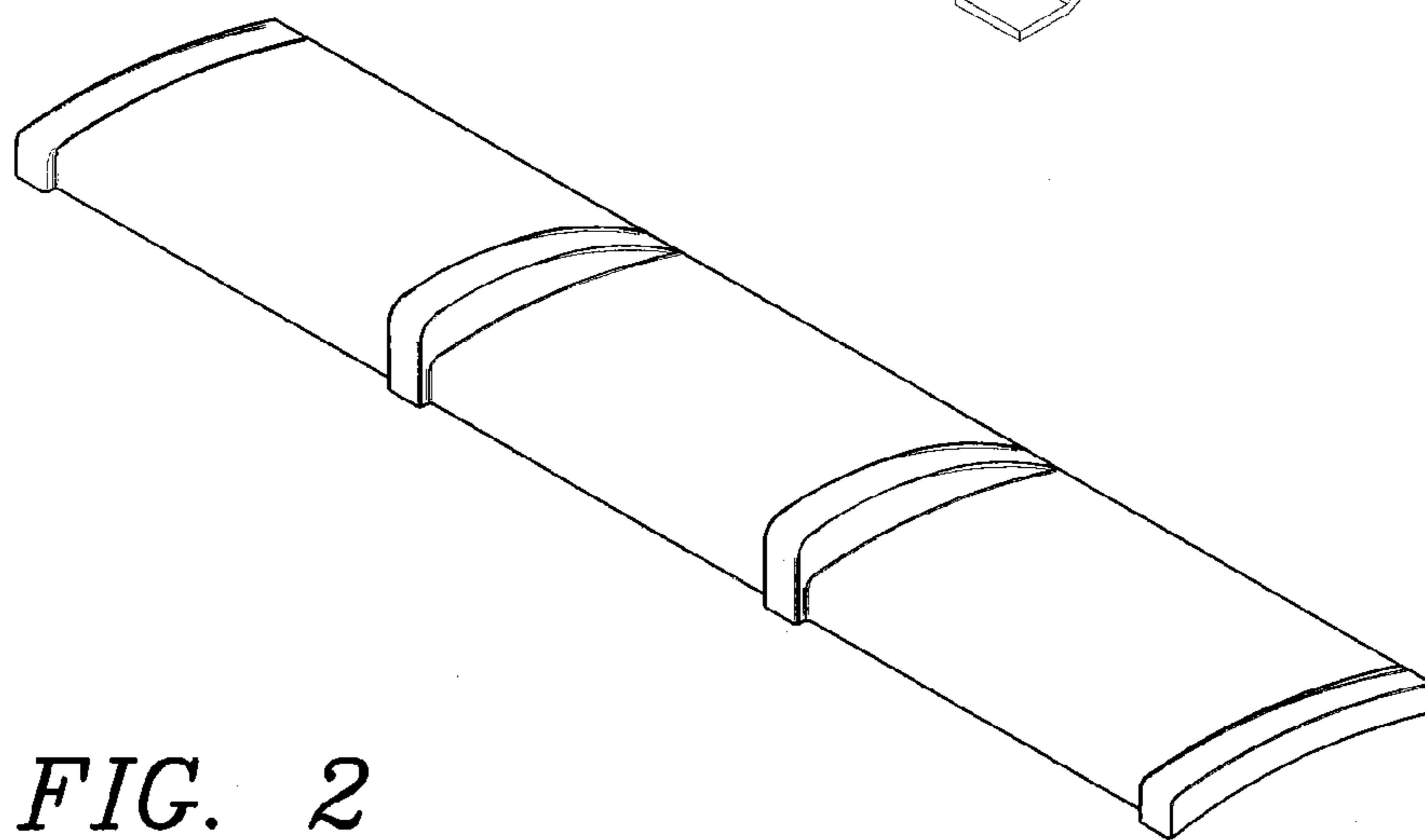
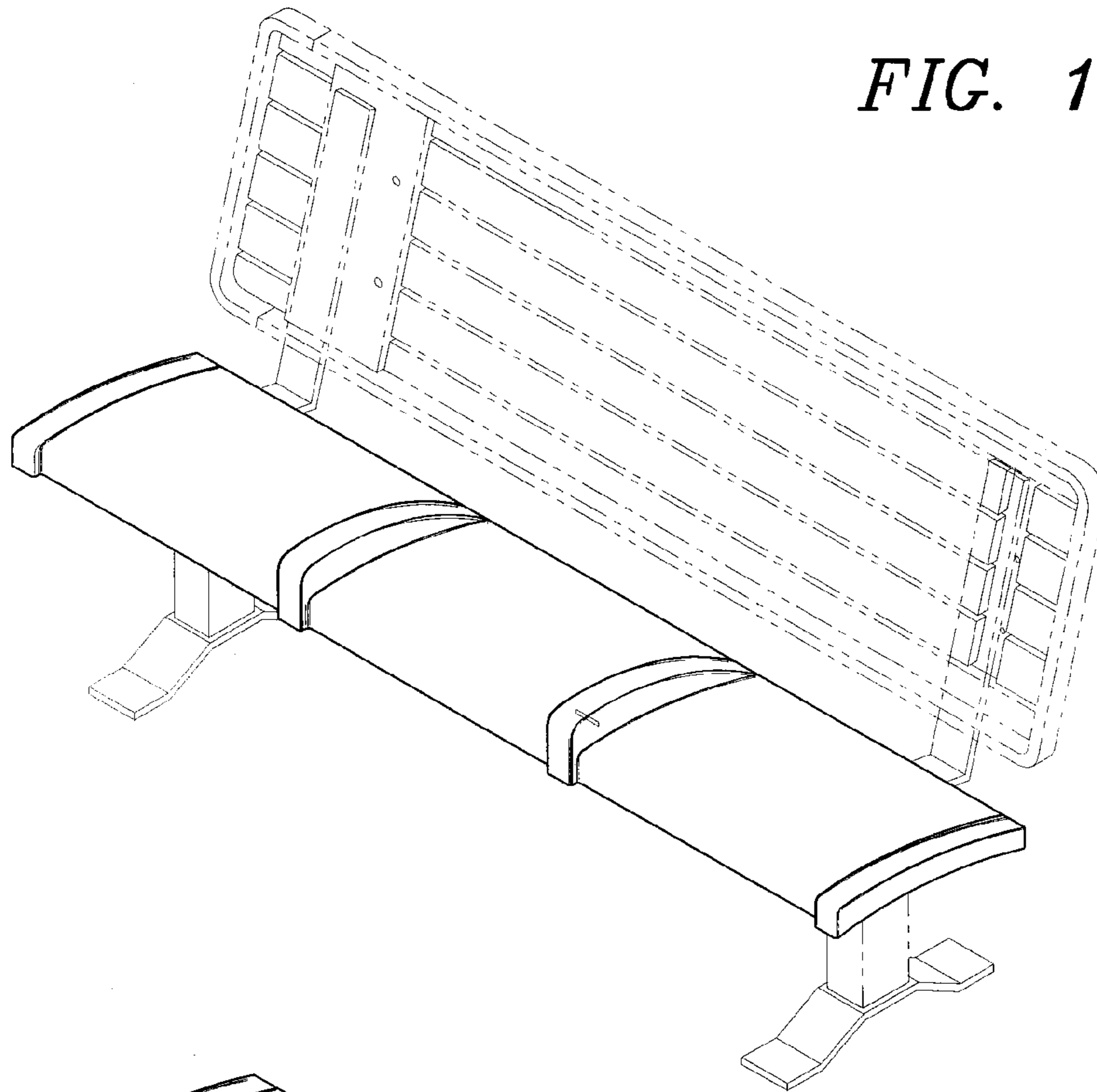
FIG. 7 is a left side elevation view comprising our design; and,

FIG. 8 is a right side elevation view comprising our design.

The broken line showing of the bench back and bench frame in FIG. 1 is included for the purpose of illustrating environmental structure and forms no part of the claimed design.

1 Claim, 2 Drawing Sheets





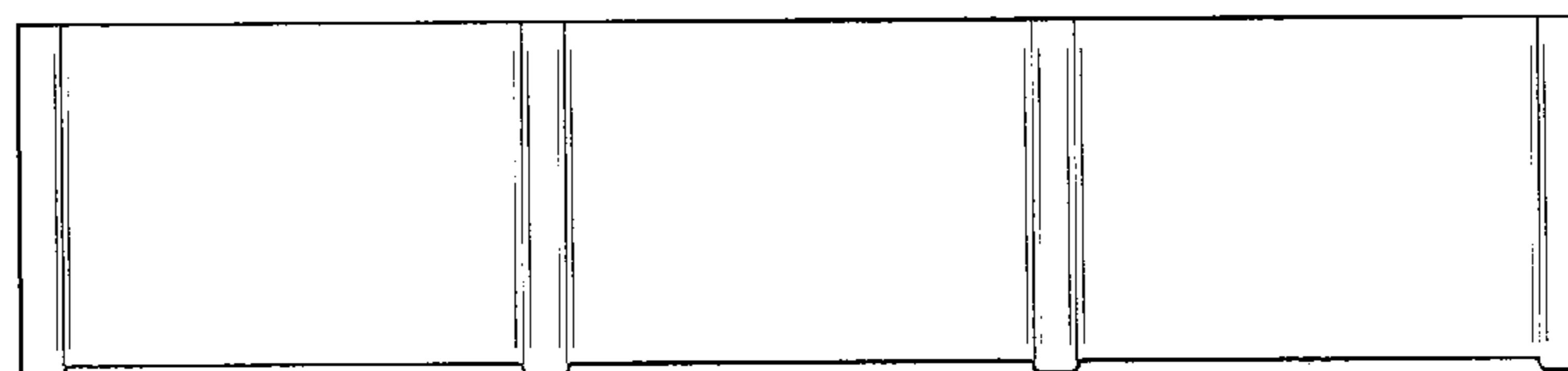


FIG. 3

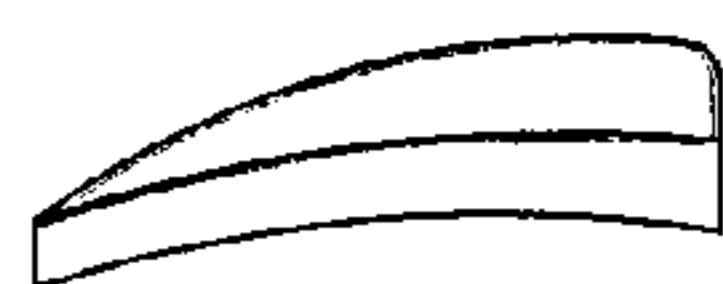


FIG. 7

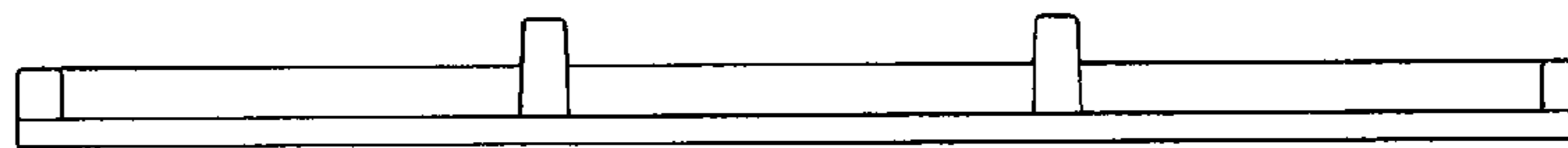


FIG. 4

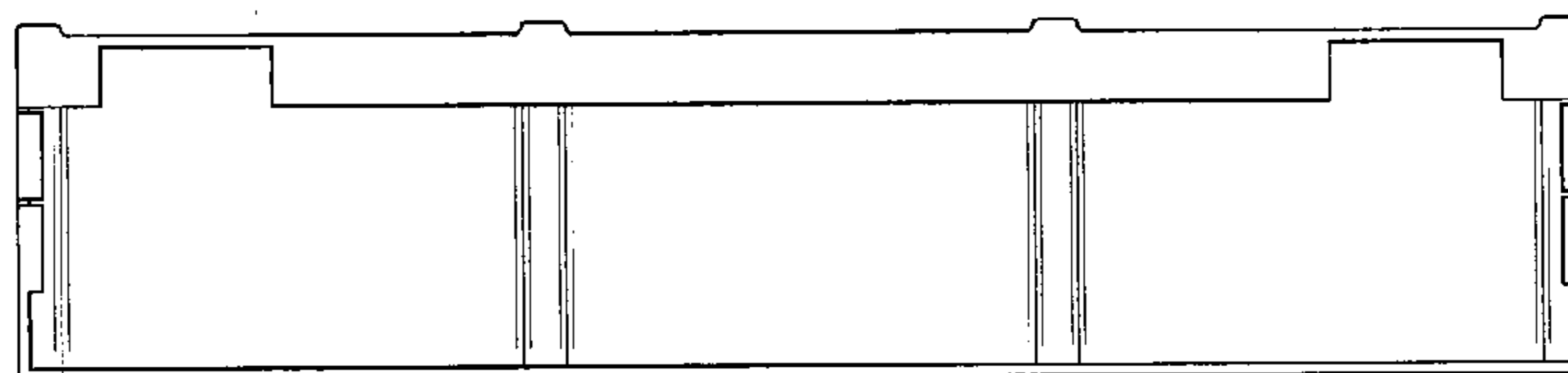


FIG. 5

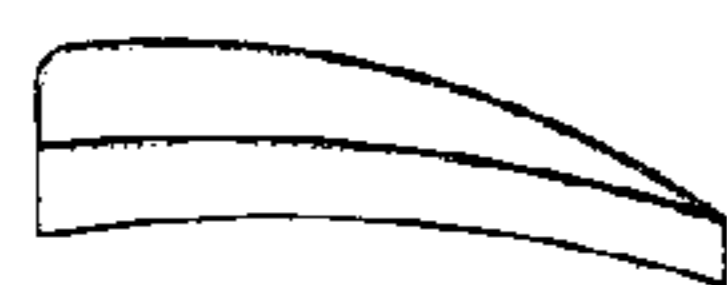


FIG. 8

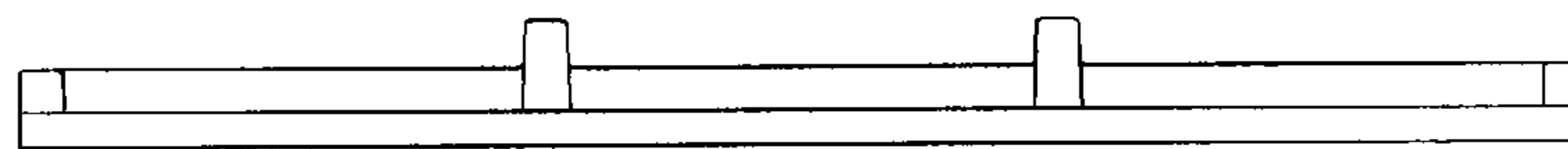


FIG. 6