



US00D611273S

(12) **United States Design Patent**
Kohagen et al.

(10) **Patent No.:** **US D611,273 S**

(45) **Date of Patent:** **** *Mar. 9, 2010**

(54) **CHEST PANEL**

(75) Inventors: **Steven Frederick Kohagen**, Waverly, IA (US); **Jim Hand**, Glen Ellyn, IL (US); **Eric Hyman**, South Grafton, MA (US); **Greg Holderfield**, Oak Park, IL (US)

(73) Assignee: **Waterloo Industries, Inc.**, Oak Creek, WI (US)

(*) Notice: This patent is subject to a terminal disclaimer.

(**) Term: **14 Years**

(21) Appl. No.: **29/280,761**

(22) Filed: **Jun. 6, 2007**

(51) **LOC (9) Cl.** **06-04**

(52) **U.S. Cl.** **D6/492; D3/297; D3/905; D3/318; D6/445**

(58) **Field of Classification Search** D3/260, D3/272-275, 276, 283, 294-297, 318, 321-322, D3/903, 905; D6/300, 310, 396-397, 432-448, D6/491-494, 509-510, 559-561; D8/313; D13/184; D32/25; D34/12; 206/349, 372-373, 206/376-379; 312/107, 117, 125, 198, 204, 312/209, 224, 249.1, 249.11, 249.12, 257.1, 312/278-279, 282, 308, 332.1, 351, 902; 361/695

See application file for complete search history.

(56) **References Cited**

U.S. PATENT DOCUMENTS

D356,703 S * 3/1995 Dickinson D6/439
5,482,162 A * 1/1996 Dickinson 206/373
D471,366 S * 3/2003 Park D6/310
D488,015 S * 4/2004 Brandon D6/510

D528,309 S * 9/2006 Schwind D6/300
D532,384 S * 11/2006 Aupperle D13/184
D554,370 S * 11/2007 Hand D3/297
D554,864 S * 11/2007 Hand D3/297
D563,103 S * 3/2008 Hand D3/297
D563,119 S * 3/2008 Malley et al. D6/445
D563,120 S * 3/2008 Malley et al. D6/445
D568,608 S * 5/2008 Hand D3/297
2007/0274042 A1 * 11/2007 Jackson et al. 361/695

* cited by examiner

Primary Examiner—Caron Veynar

Assistant Examiner—Ricky Pham

(74) *Attorney, Agent, or Firm*—Calfee, Halter & Griswold LLP

(57) **CLAIM**

The ornamental design for a chest panel, as shown and described.

DESCRIPTION

FIG. 1 is a perspective view of the new, original, and ornamental design for a chest panel, wherein the chest panel, is attached to a chest;

FIG. 2 is a front elevational view of the chest panel of FIG. 1;

FIG. 3 is a rear elevational view of the chest panel of FIG. 1;

FIG. 4 is a right side elevational view of the chest panel of FIG. 1;

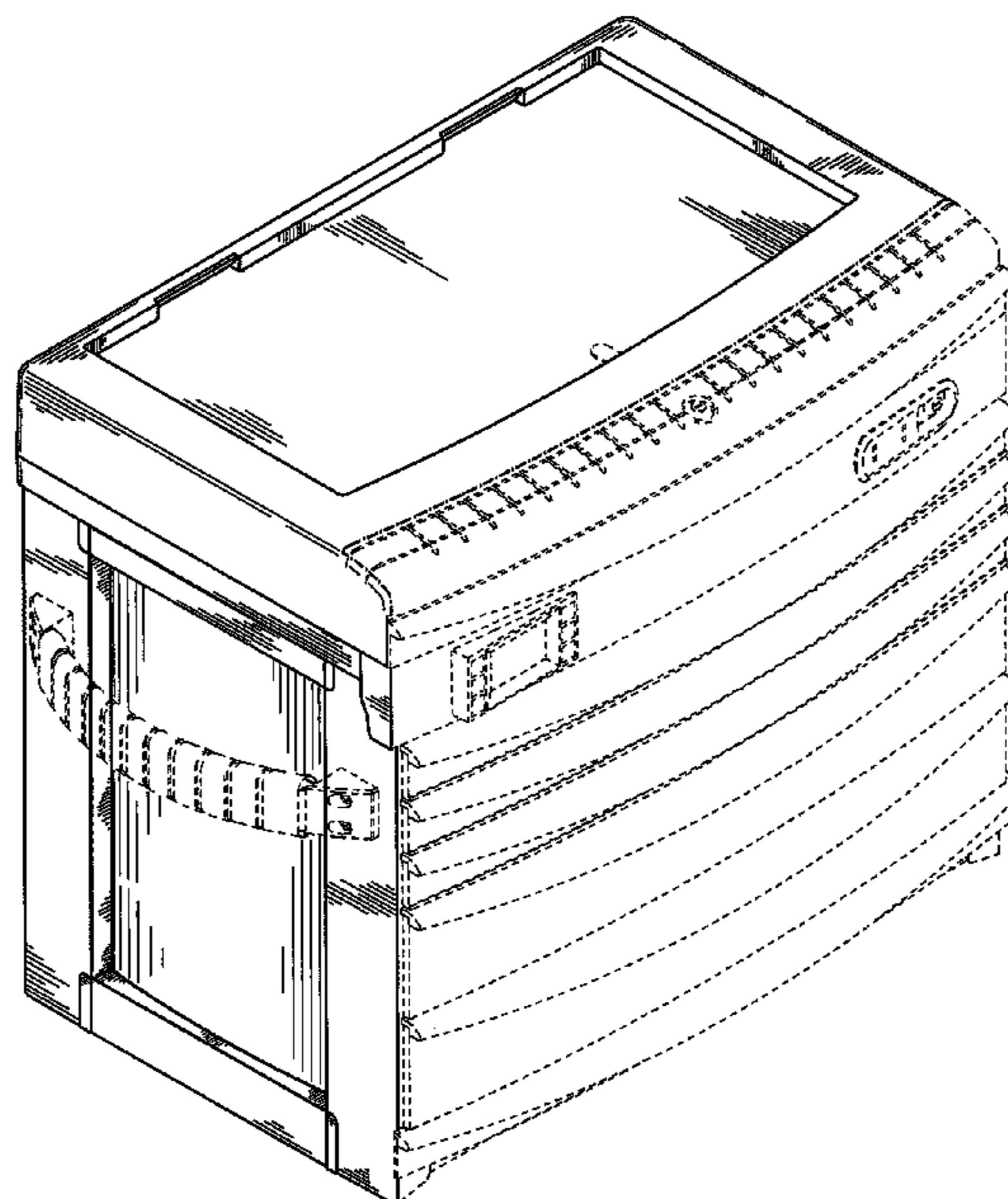
FIG. 5 is a left side elevational view of the chest panel of FIG. 1;

FIG. 6 is a top plan view of the chest panel, of FIG. 1; and,

FIG. 7 is a bottom plan view of the chest panel of FIG. 1.

The portions of the Figures shown in broken lines are not part of the claimed design and are for illustration only.

1 Claim, 5 Drawing Sheets



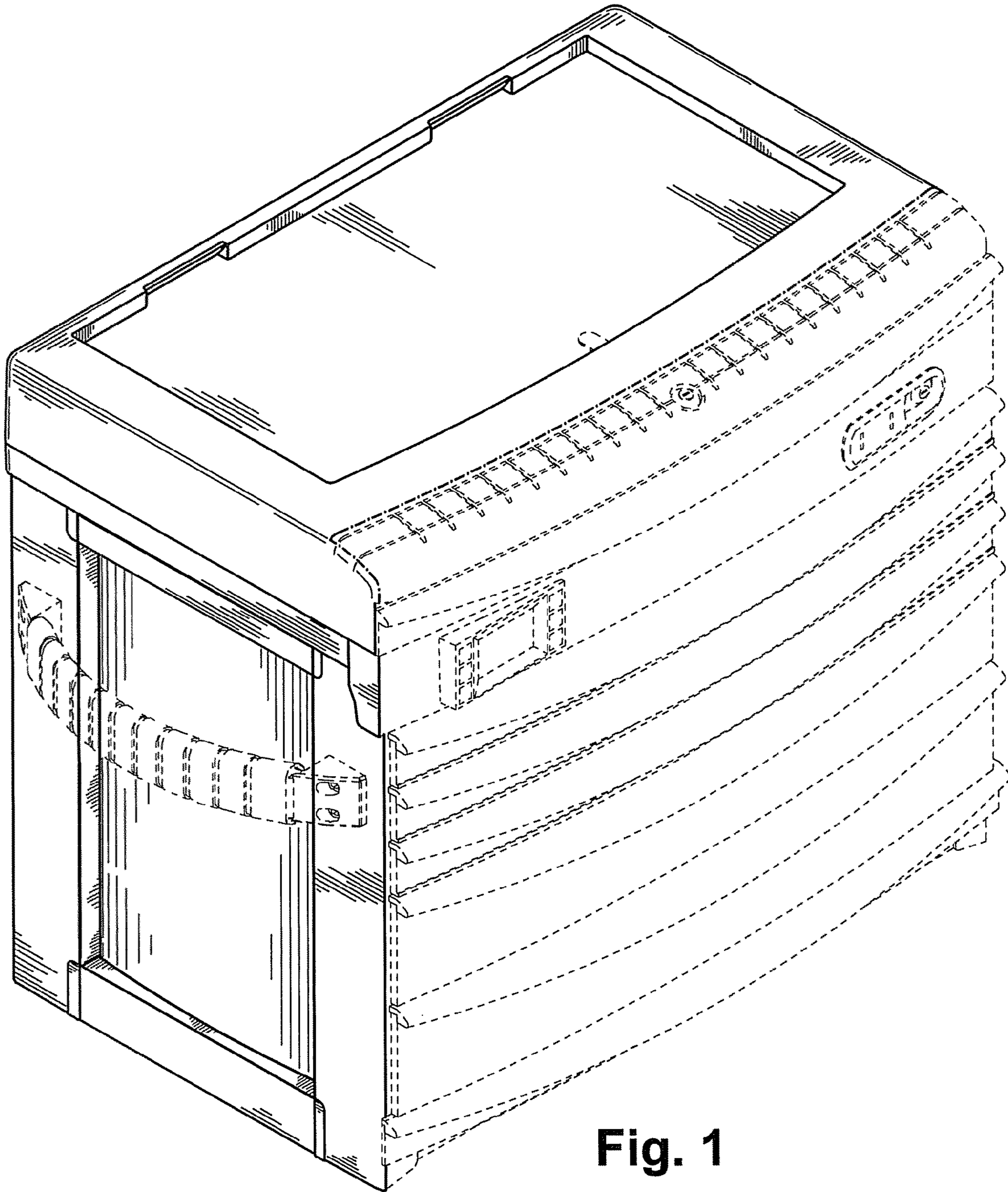


Fig. 1

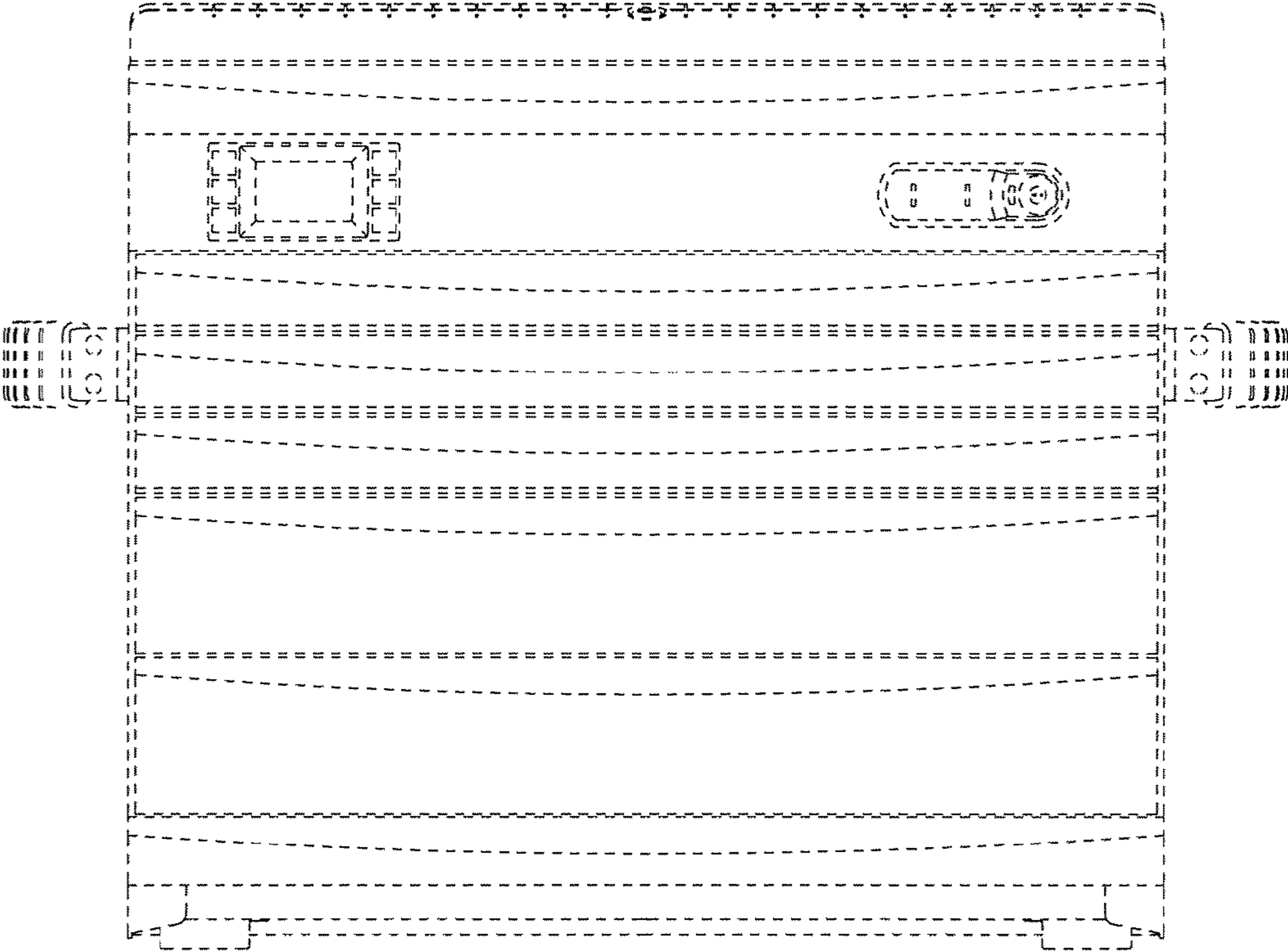


Fig. 2

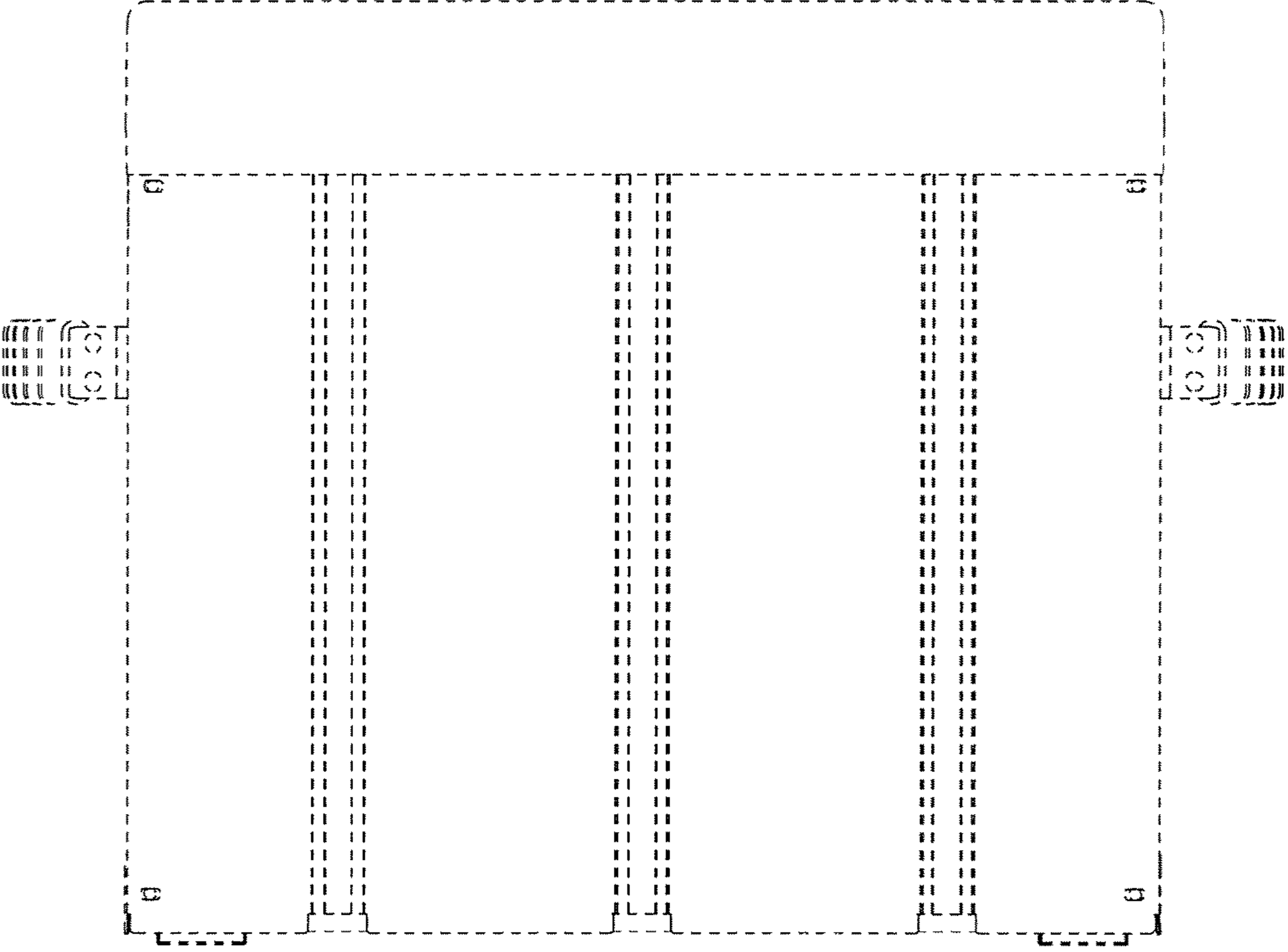


Fig. 3

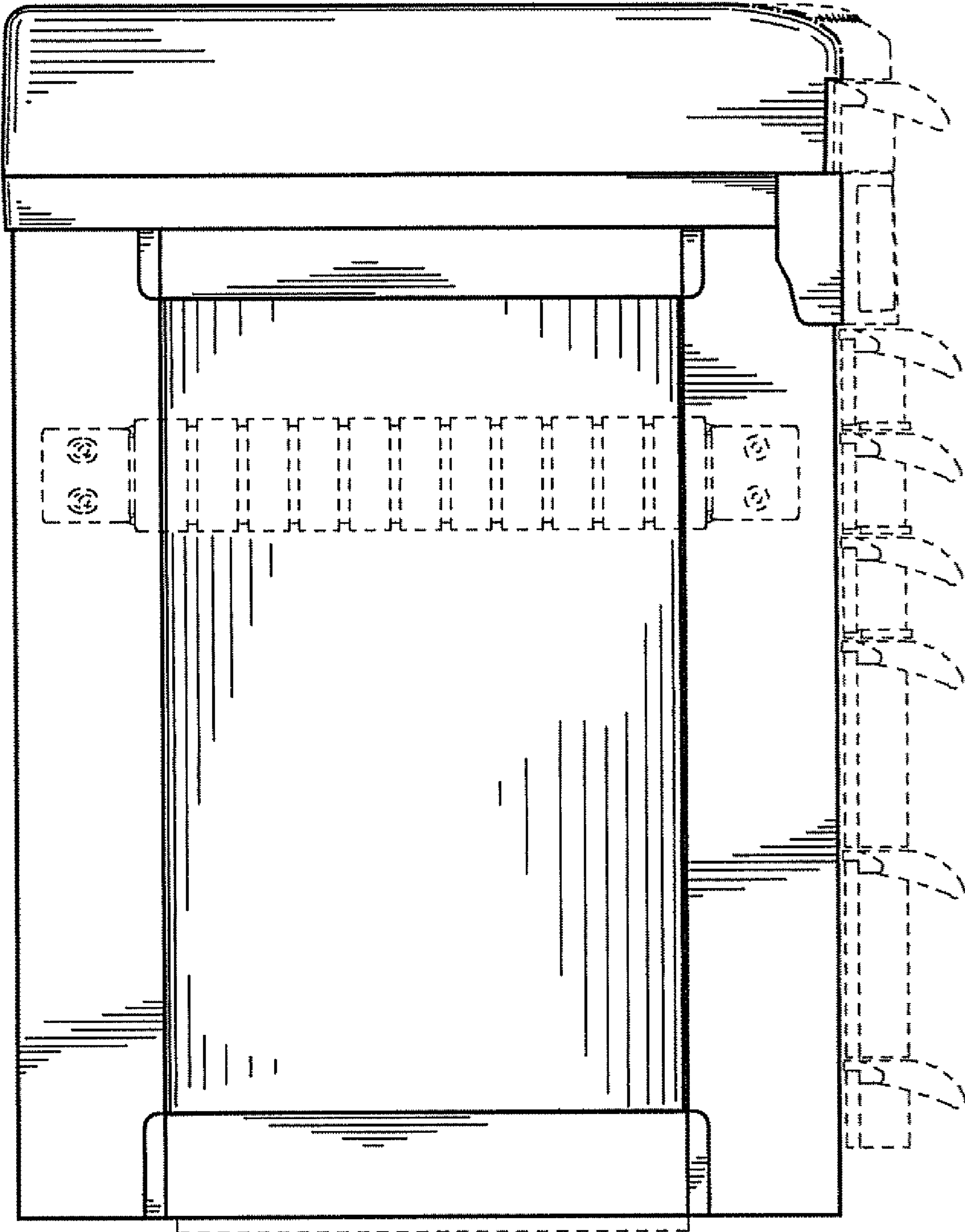


Fig. 4

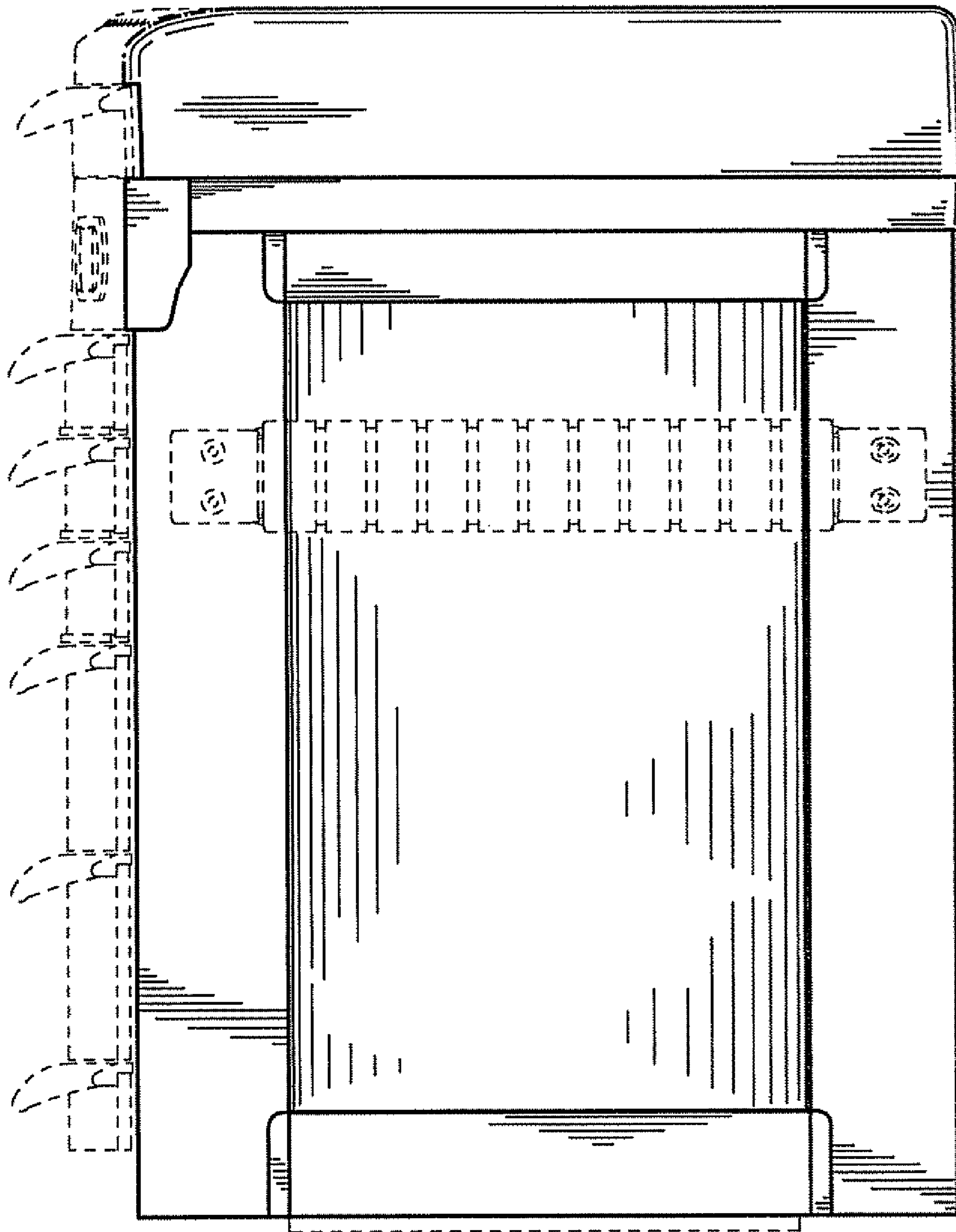


Fig. 5

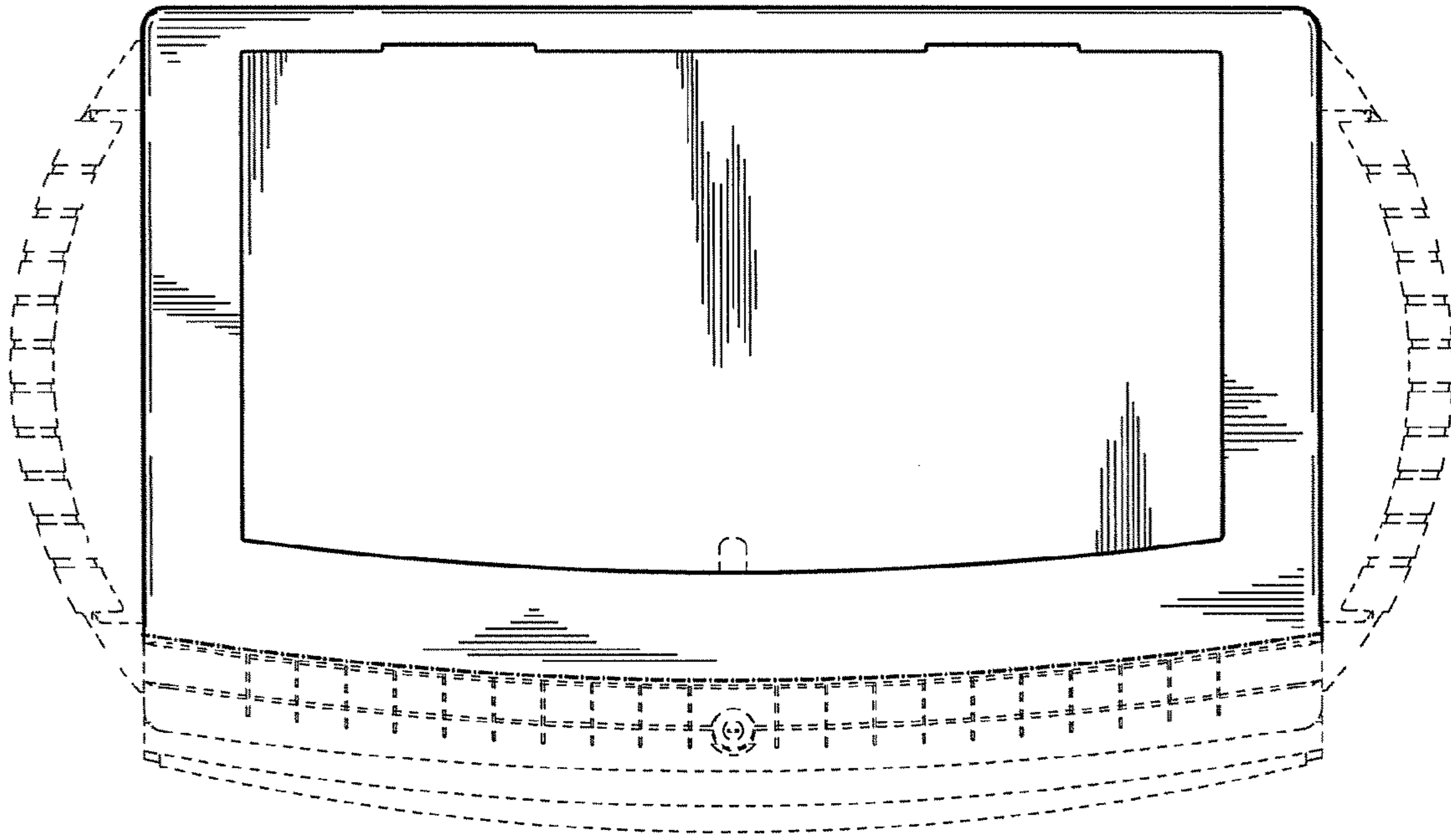


Fig. 6

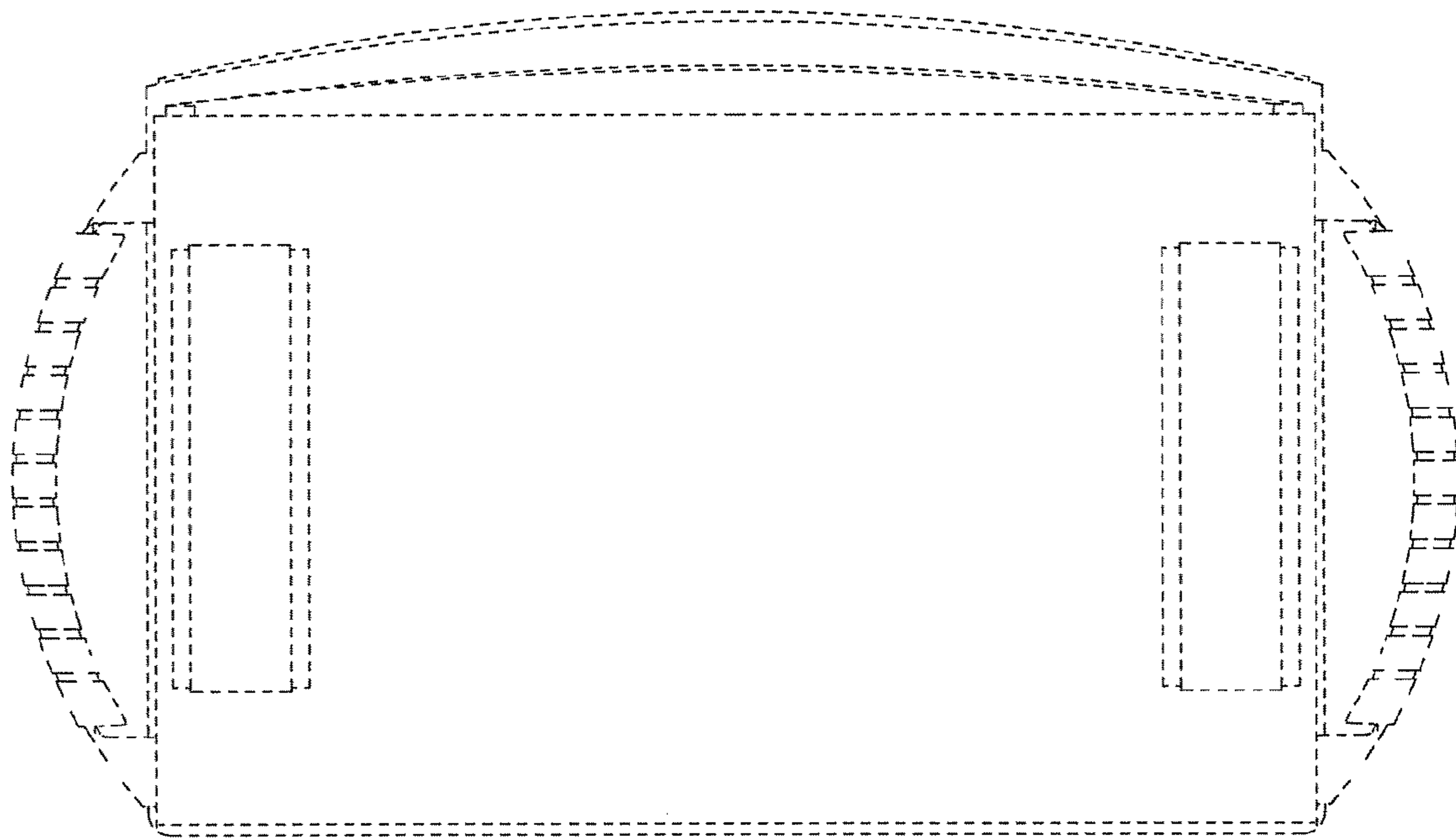


Fig. 7