



US00D611272S

(12) **United States Design Patent**
Daino

(10) **Patent No.:** **US D611,272 S**
(45) **Date of Patent:** **** Mar. 9, 2010**

(54) **RAIL**
(75) Inventor: **Franco Fabio Daino**, Muskego, WI (US)
(73) Assignee: **Master Lock Company LLC**, Oak Creek, WI (US)
(**) Term: **14 Years**
(21) Appl. No.: **29/295,861**
(22) Filed: **Oct. 9, 2007**

4,809,479 A 3/1989 Tierno et al.
4,825,601 A 5/1989 Halverson
4,891,897 A 1/1990 Gieske et al.
4,932,538 A 6/1990 Gambello

(Continued)

Primary Examiner—Janice E Seeger
Assistant Examiner—Sydney R Buffalow
(74) *Attorney, Agent, or Firm*—Calfee, Halter & Griswold LLP

(51) **LOC (9) Cl.** **06-06**
(52) **U.S. Cl.** **D6/491; D25/123**
(58) **Field of Classification Search** ... D6/491.509–511;
D25/123, 138, 119, 122, 124; 211/94.01,
211/187, 193; 248/235, 241, 243, 220, 22.51;
52/483.1, 38, 588.1, 36.4–36.6
See application file for complete search history.

(57) **CLAIM**

I claim the ornamental design for a rail, as shown and described.

(56) **References Cited**
U.S. PATENT DOCUMENTS

DESCRIPTION

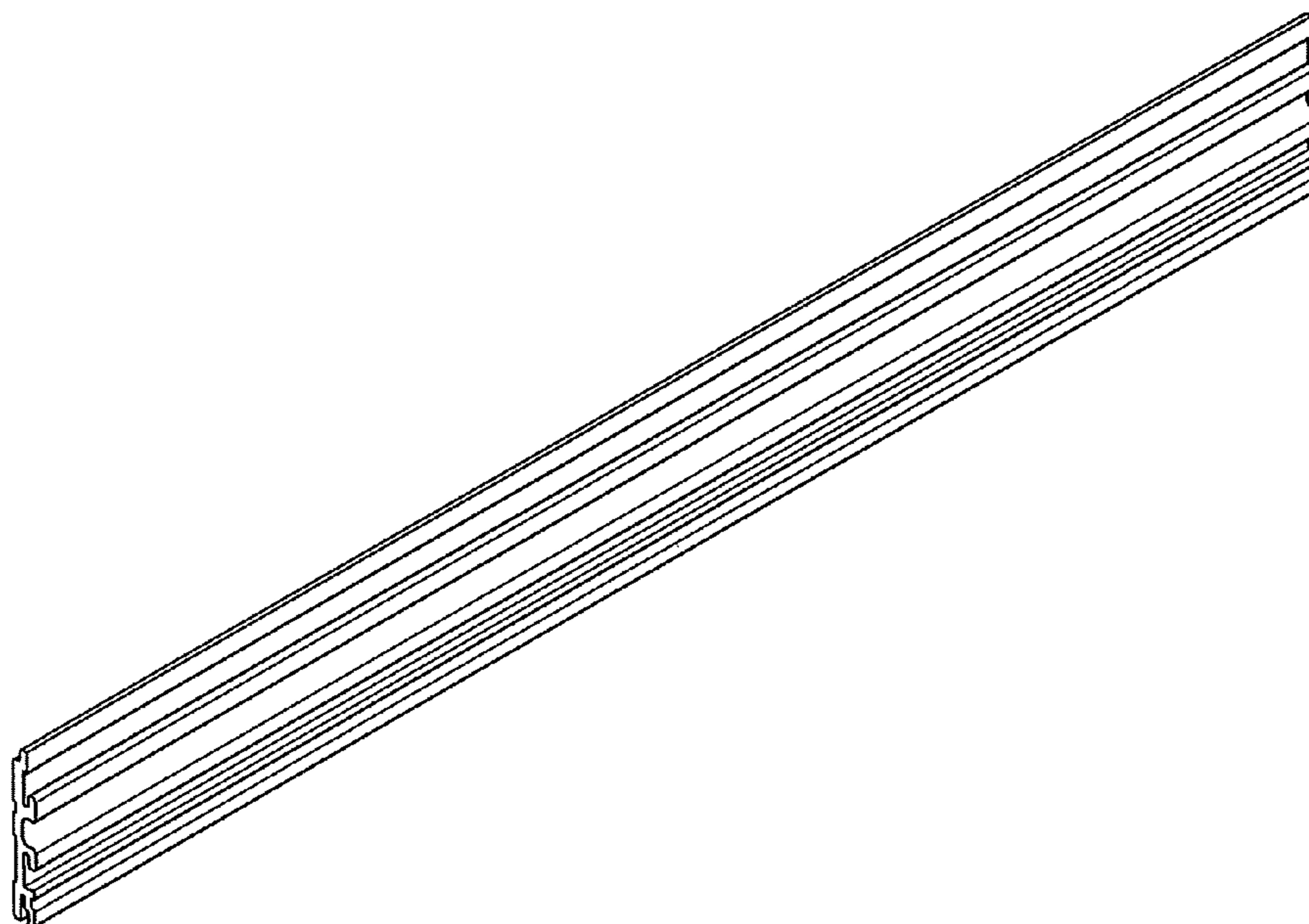
FIG. 1 is a front perspective view of a rail made in accordance with an embodiment of the new design;
FIG. 2 is a front broken view of the rail of FIG. 1;
FIG. 3 is a front exploded broken view of the rail of FIG. 1;
FIG. 4 is a left side view of the rail of FIG. 1;
FIG. 5 is a right side view of the rail of FIG. 1;
FIG. 6 is a rear exploded broken view of the rail of FIG. 1;
FIG. 7 is a rear broken view of the rail of FIG. 1;
FIG. 8 is a front exploded perspective broken view of the rail of FIG. 1; and,
FIG. 9 is a rear exploded perspective broken view of the rail of FIG. 1.

1,800,387 A 4/1931 Greist
3,045,961 A 7/1962 Cygan
3,698,565 A 10/1972 Weber
4,509,648 A 4/1985 Govang et al.
4,572,381 A 2/1986 Breakey et al.
4,591,058 A 5/1986 Amstutz et al.
4,607,753 A 8/1986 Radek
4,615,448 A 10/1986 Johnstonbaugh
4,629,076 A 12/1986 Amstutz et al.
4,674,240 A 6/1987 Strausheim
4,678,151 A 7/1987 Radek
4,694,965 A 9/1987 Parnell
4,718,562 A 1/1988 Winkler, Jr.
4,726,554 A 2/1988 Sorrell
4,752,010 A 6/1988 Holztrager
4,805,783 A 2/1989 Mayer
4,805,863 A 2/1989 Armstrong et al.

The views are shown broken away to indicate and indeterminate length.

Any portions of the Figures shown in broken lines are not part of the claimed design and are for illustration only.

1 Claim, 3 Drawing Sheets



US D611,272 S

Page 2

U.S. PATENT DOCUMENTS

4,944,416 A	7/1990	Petersen et al.	6,164,467 A	12/2000	DePottay et al.
4,961,295 A	10/1990	Kosch, Sr. et al.	6,185,899 B1	2/2001	De Niet
5,018,323 A	5/1991	Clausen	6,206,212 B1	3/2001	Loew
5,101,989 A	4/1992	Jones	6,325,223 B1	12/2001	Hannem
5,138,803 A	8/1992	Grossen	6,349,507 B1	2/2002	Muellerleile
D338,076 S	8/1993	Current	6,363,645 B1	4/2002	Hunter
5,299,509 A	4/1994	Ballard	D471,993 S *	3/2003	Holztrager D25/123
5,360,121 A	11/1994	Sothman	D473,664 S	4/2003	Perkins et al.
5,409,120 A	4/1995	Miller et al.	D482,802 S	11/2003	Yates, Jr.
5,412,912 A	5/1995	Alves	D482,803 S	11/2003	Yates, Jr.
5,484,067 A	1/1996	Sothman	D489,465 S *	5/2004	Allsopp D25/119
5,485,933 A	1/1996	Crooymans	6,772,890 B2	8/2004	Campbell et al.
5,529,192 A	6/1996	Conen et al.	6,811,043 B2 *	11/2004	Perkins et al. 211/94.01
5,655,674 A	8/1997	Holztrager	6,837,384 B2	1/2005	Secondino
5,711,115 A	1/1998	Wirt	D502,778 S	3/2005	Fischer
D393,907 S	4/1998	Current	D507,060 S	7/2005	Fischer
D393,909 S	4/1998	Current	D507,355 S	7/2005	Fischer
D395,089 S	6/1998	Current	6,929,131 B1	8/2005	Landi
5,775,521 A	7/1998	Tisbo	6,945,414 B1	9/2005	Stevens et al.
5,791,093 A	8/1998	Diamond	D511,390 S	11/2005	Schuberth
D397,803 S	9/1998	Current	D511,581 S	11/2005	Holztrager
D399,010 S	9/1998	Current	6,971,614 B2	12/2005	Fischer et al.
D399,012 S	9/1998	Current	D513,535 S	1/2006	Fischer
D400,270 S *	10/1998	Current D25/123	D520,148 S *	5/2006	Kendall et al. D25/138
5,819,490 A	10/1998	Current	7,086,542 B2	8/2006	Tomonari et al.
D403,085 S	12/1998	Current	7,104,023 B1	9/2006	Holztrager
D404,148 S	1/1999	Laskowski et al.	D532,120 S *	11/2006	Holztrager D25/123
5,857,578 A	1/1999	Fishman	D533,283 S	12/2006	Holztrager
D408,558 S	4/1999	Levy	D551,470 S	9/2007	Loew
5,899,344 A	5/1999	Current et al.	D551,781 S	9/2007	Abdullah
5,921,044 A *	7/1999	Holztrager 52/483.1	2004/0111980 A1	6/2004	Kosch
5,941,026 A	8/1999	Eisenreich et al.	2004/0159067 A1	8/2004	Perkins et al.
5,944,203 A	8/1999	Vlah et al.	2004/0222176 A1	11/2004	Campbell et al.
D414,567 S *	9/1999	Burt et al. D25/123	2005/0193641 A1	9/2005	Fischer
5,983,574 A *	11/1999	Holztrager 52/36.5	2006/0091094 A1	5/2006	Schuberth
6,050,426 A	4/2000	Leurdijk	2006/0180561 A1	8/2006	Wisnoski et al.
D425,734 S *	5/2000	Bauer D6/491	2006/0266901 A1	11/2006	Tallman
6,068,135 A	5/2000	Holztrager	2007/0012636 A1	1/2007	Wisnoski et al.
6,116,435 A	9/2000	Young	2007/0079561 A1	4/2007	Hopkins
6,119,878 A	9/2000	Zen	2007/0181517 A1	8/2007	Perkins et al.
6,134,846 A	10/2000	Lamb			

* cited by examiner

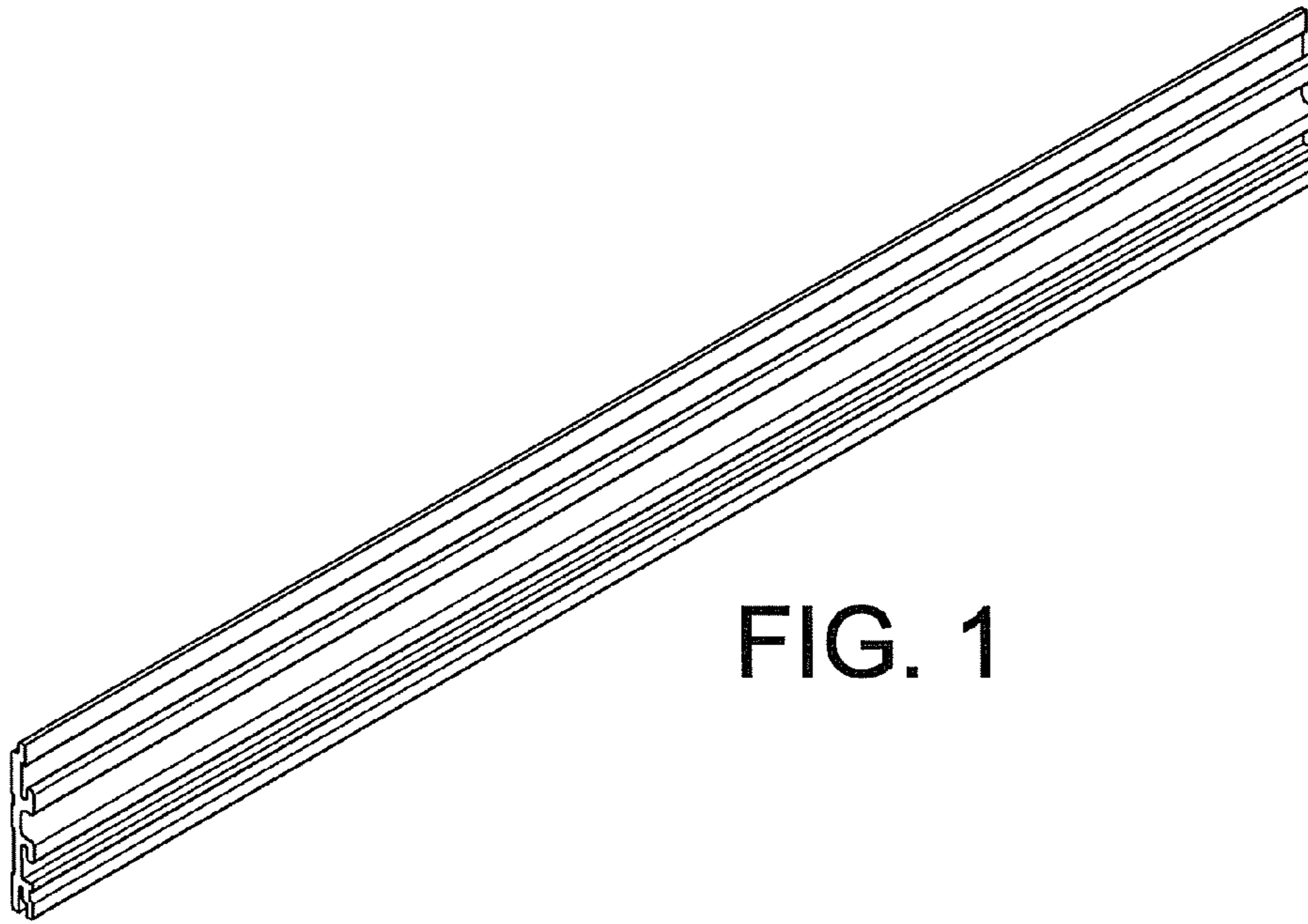


FIG. 1

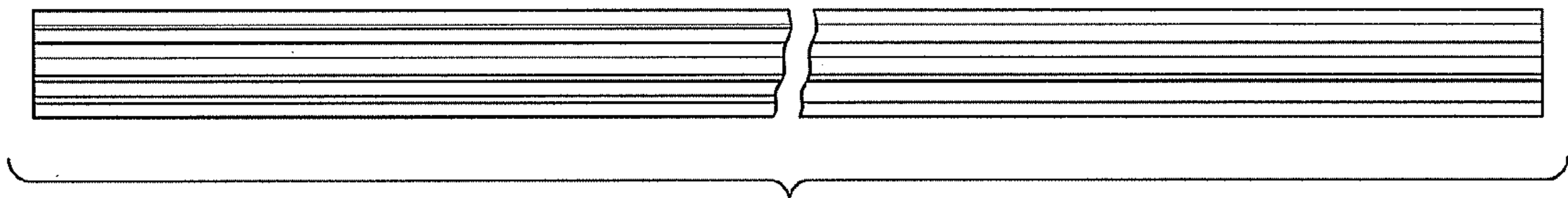


FIG. 2

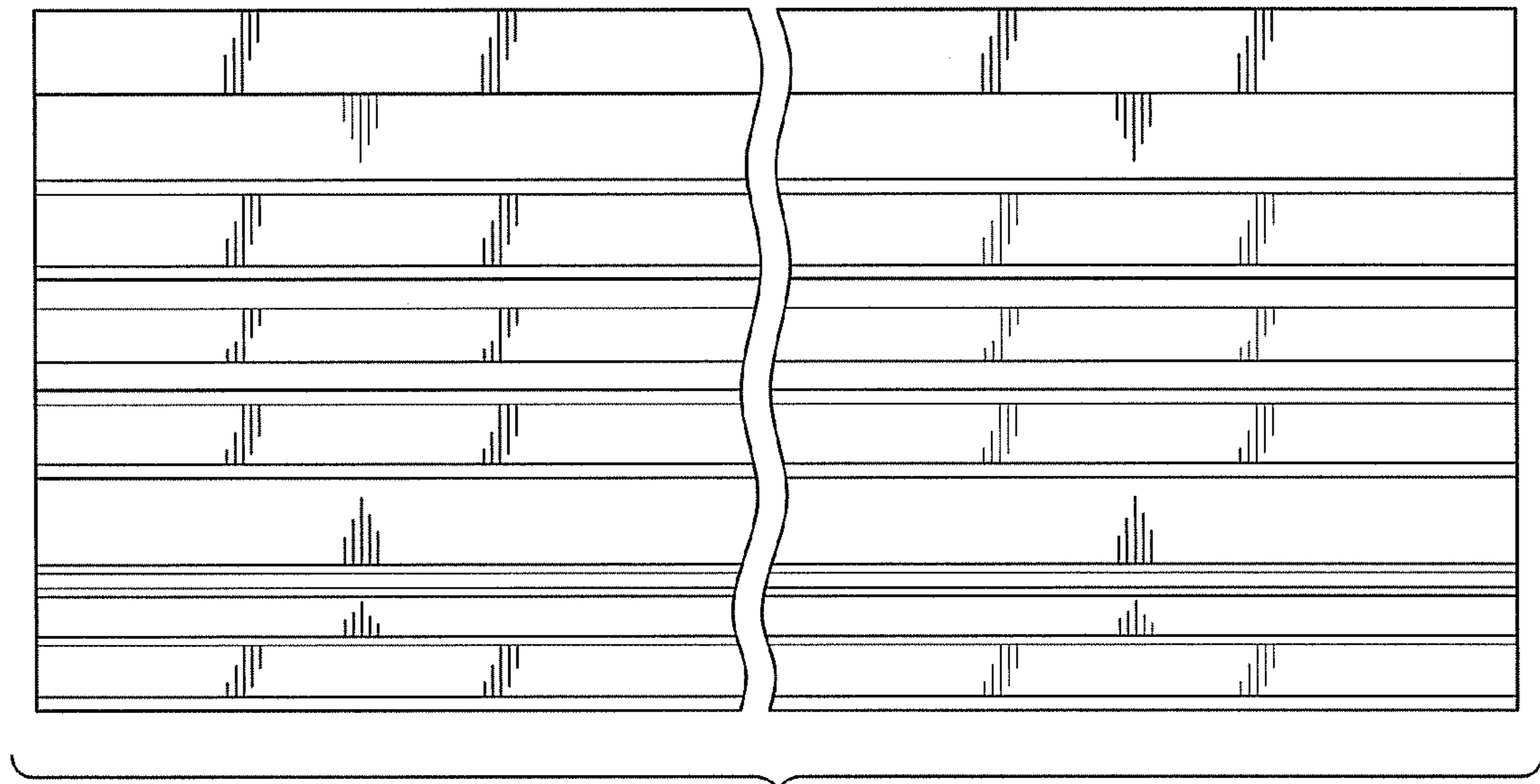


FIG. 3

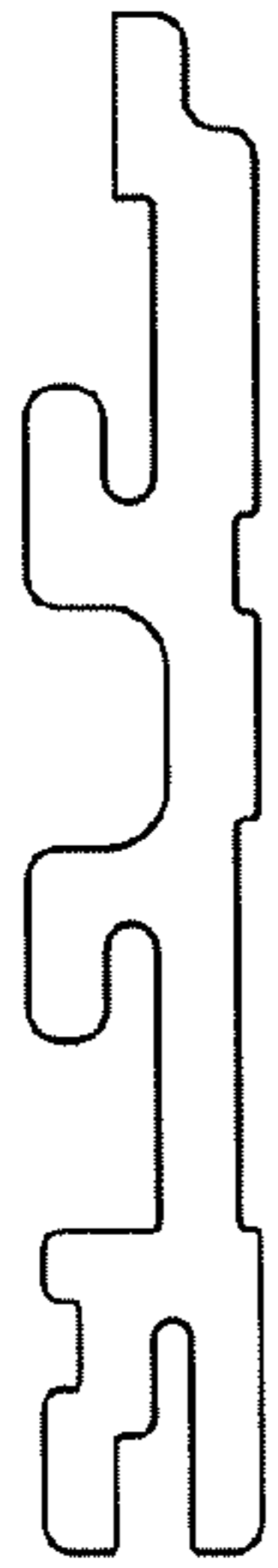


FIG. 4

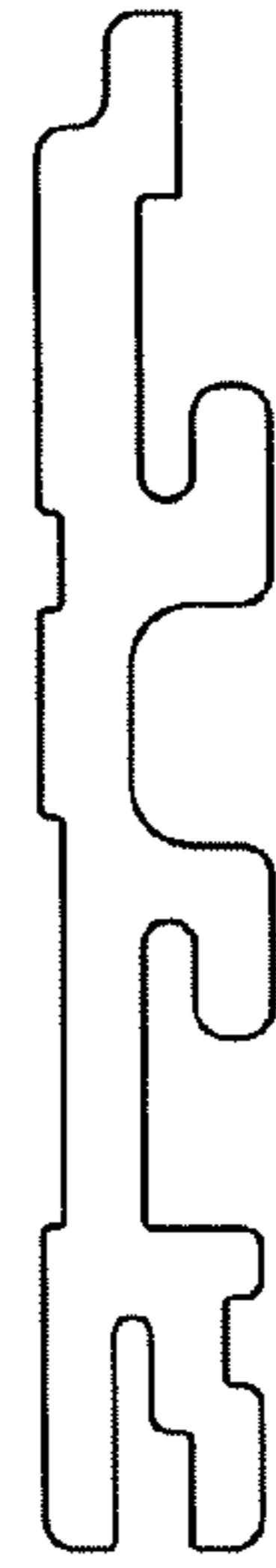


FIG. 5

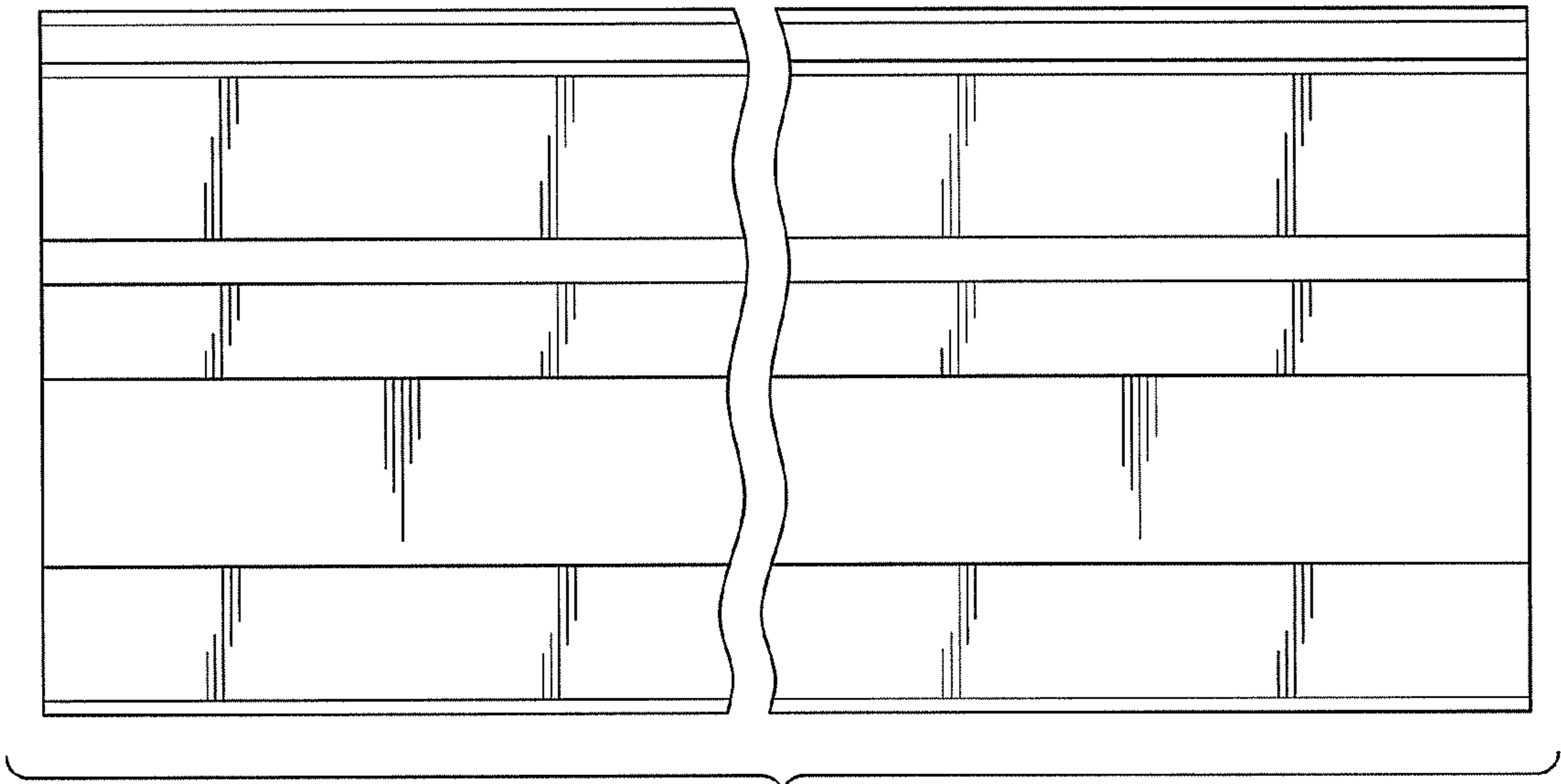


FIG. 6

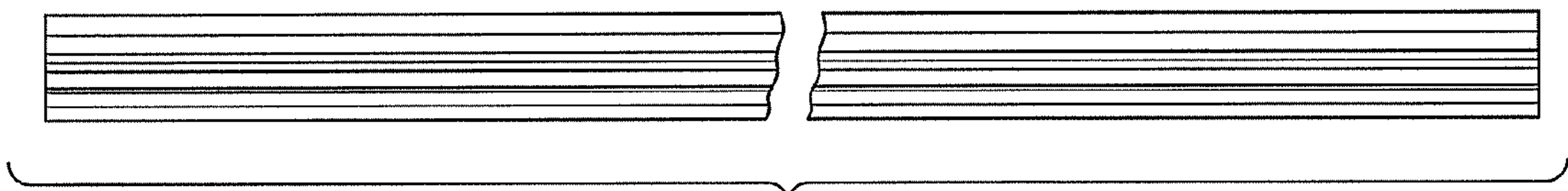


FIG. 7

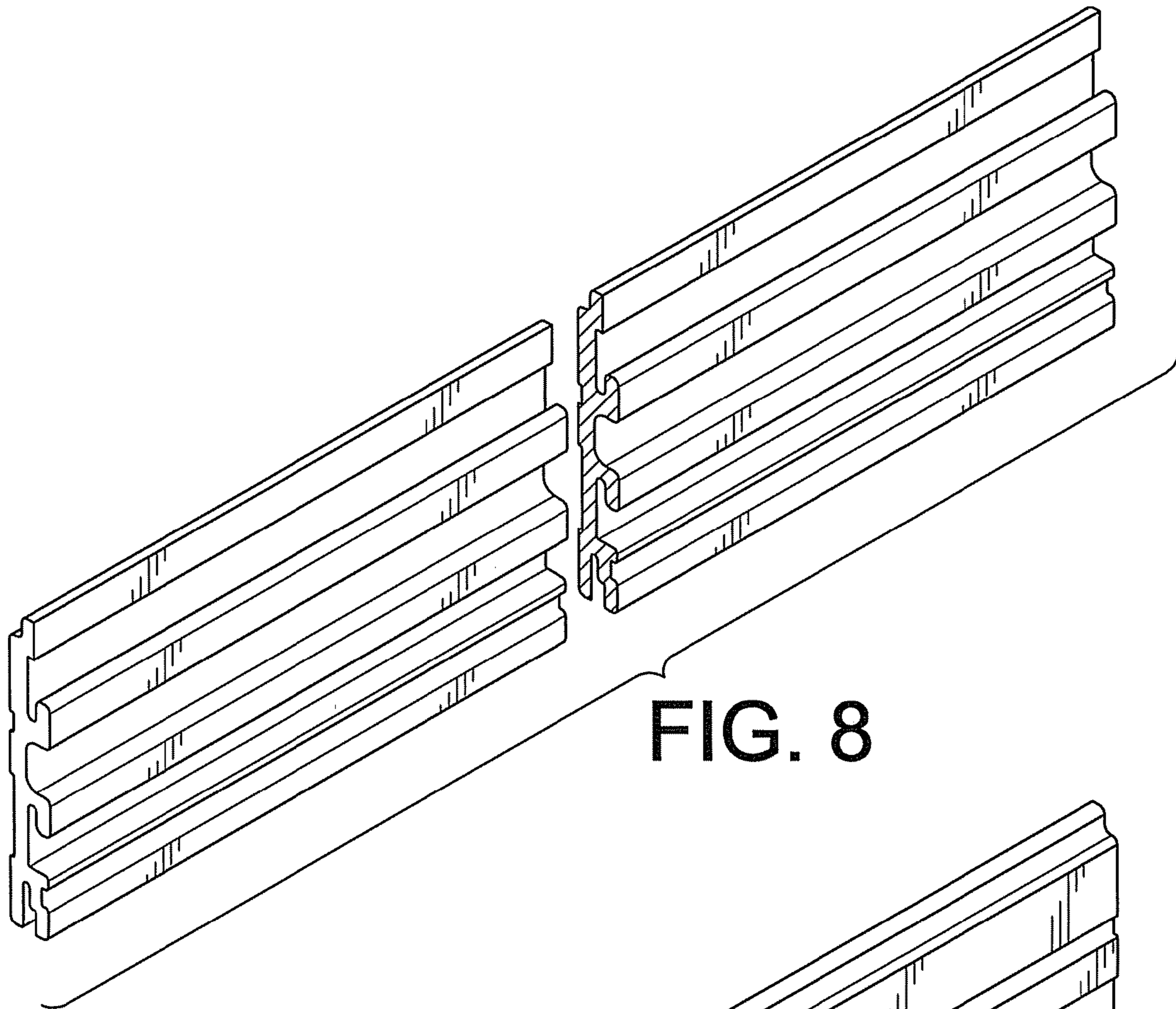


FIG. 8

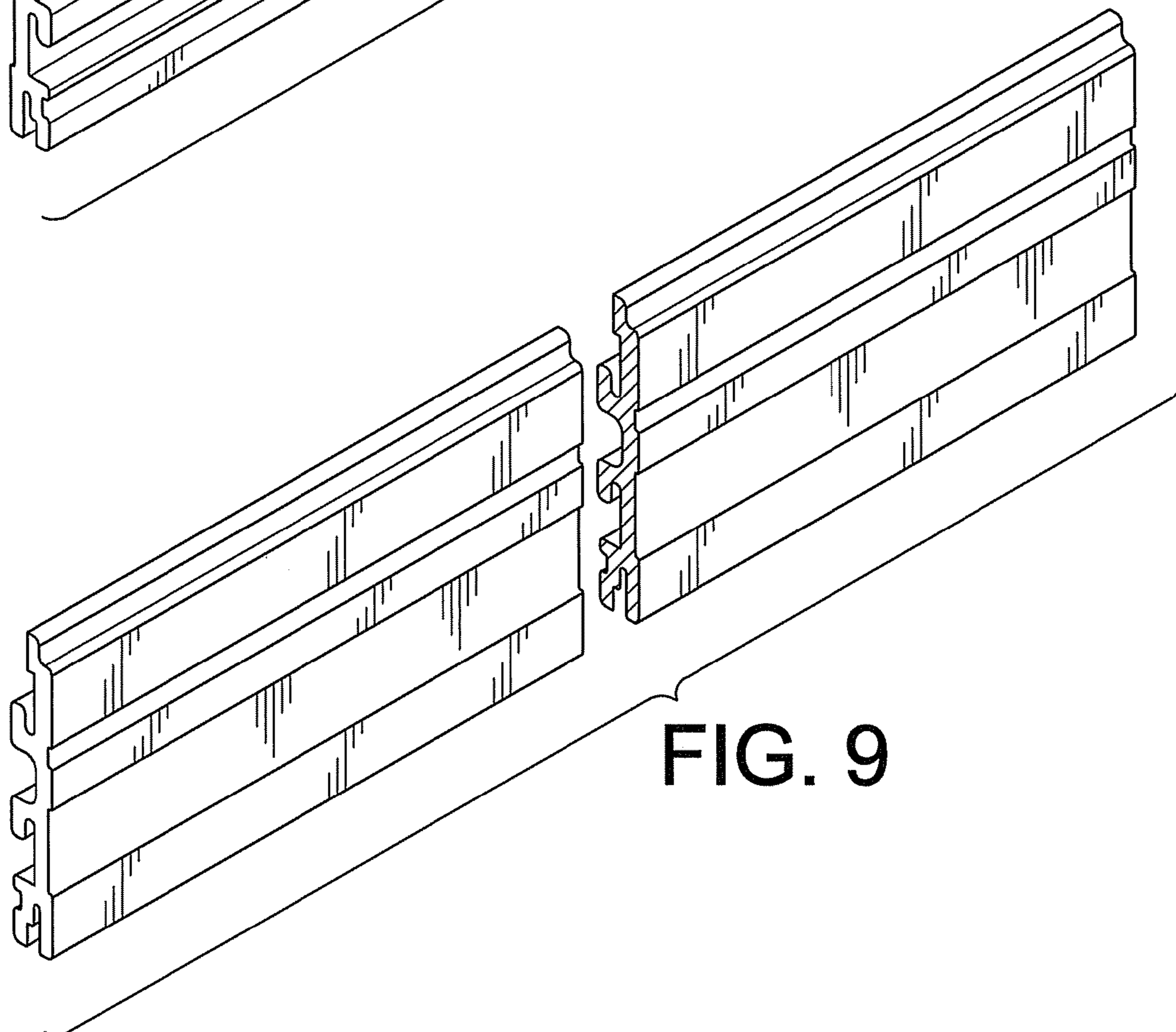


FIG. 9