



US00D611271S

(12) **United States Design Patent**
Paul

(10) **Patent No.:** **US D611,271 S**
(45) **Date of Patent:** **** Mar. 9, 2010**

(54) **TABLE HAVING A PADDED BUMPER**

2007/0090259 A1* 4/2007 Chen et al. 248/345.1

(76) Inventor: **Dawson J. Paul**, 30 Gilder Dr., Apt.
#303, Scarborough, ON (CA) M1K 4P6

* cited by examiner

(**) Term: **14 Years**

Primary Examiner—Janice E Seeger
(74) *Attorney, Agent, or Firm*—Crossley Patent Law; Mark A. Crossley

(21) Appl. No.: **29/336,107**

(22) Filed: **Apr. 28, 2009**

(57) **CLAIM**

(51) **LOC (9) Cl.** **06-03**

The ornamental design for a table having a padded bumper, as shown and described.

(52) **U.S. Cl.** **D6/480**

(58) **Field of Classification Search** D6/480–489,
D6/429–431, 511, 495, 496; 108/150, 151,
108/152, 153.1, 157.1, 161, 27; 248/188,
248/188.1, 188.8, 345.1; D8/403; D21/397
See application file for complete search history.

DESCRIPTION

(56) **References Cited**

U.S. PATENT DOCUMENTS

2,236,855	A *	4/1941	Page	108/27
4,117,782	A *	10/1978	Cahill	108/27
5,809,901	A	9/1998	Gutzmer	
D419,797	S *	2/2000	Pelletier	D6/451
6,708,941	B1 *	3/2004	Bowen et al.	248/345.1
D502,617	S *	3/2005	Chang	D6/480
D580,231	S *	11/2008	Lee	D7/606

FIG. 1 is a front elevation view of a table having a padded bumper showing my new design, the opposite side being a mirror image of the shown;

FIG. 2 is a right elevation view thereof, the opposite side being a mirror image of the shown;

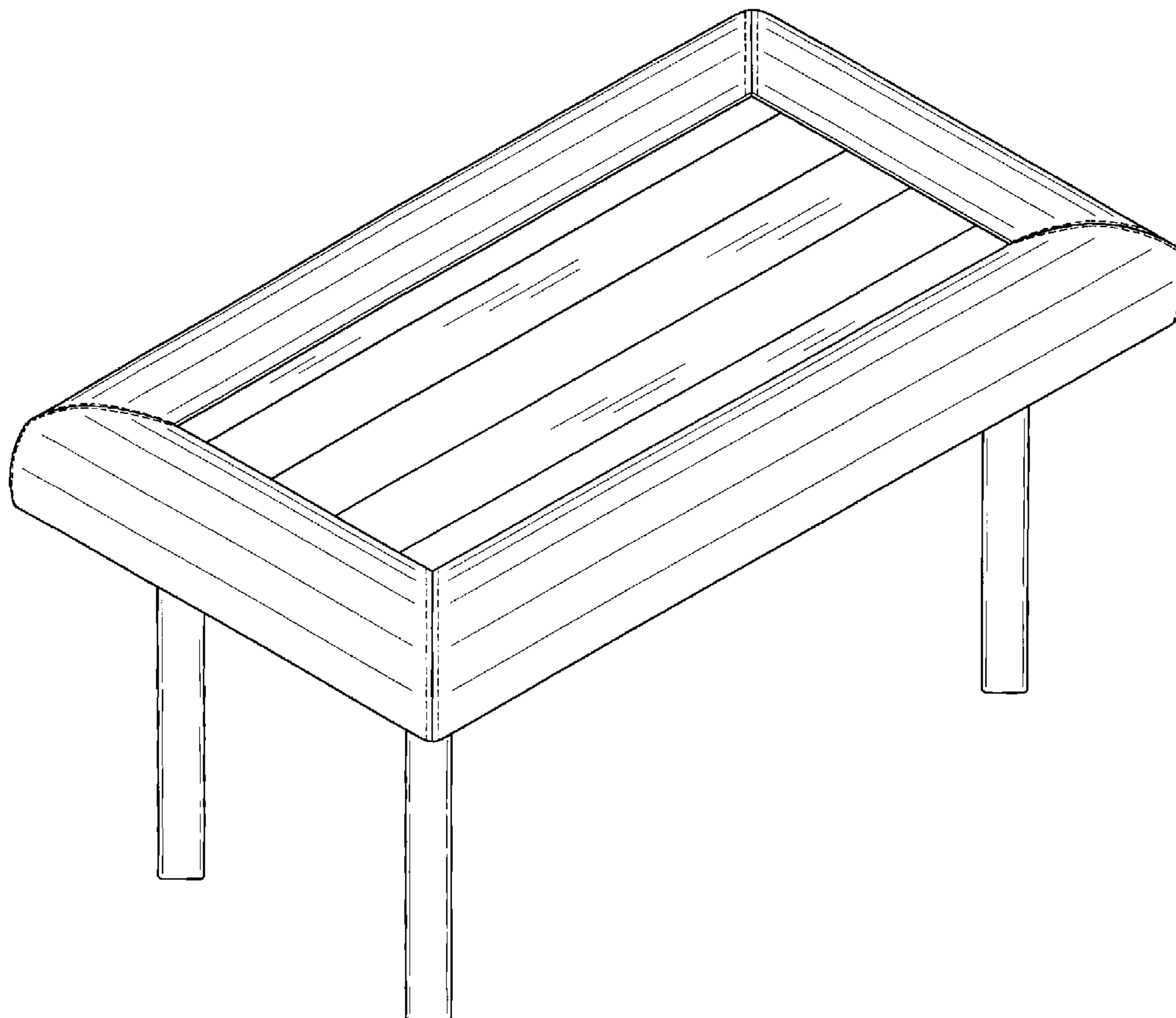
FIG. 3 is a top plan view thereof;

FIG. 4 is a bottom plan view thereof; and,

FIG. 5 is an isometric view thereof.

The broken lines on the corners of the table top depict stitching.

1 Claim, 5 Drawing Sheets



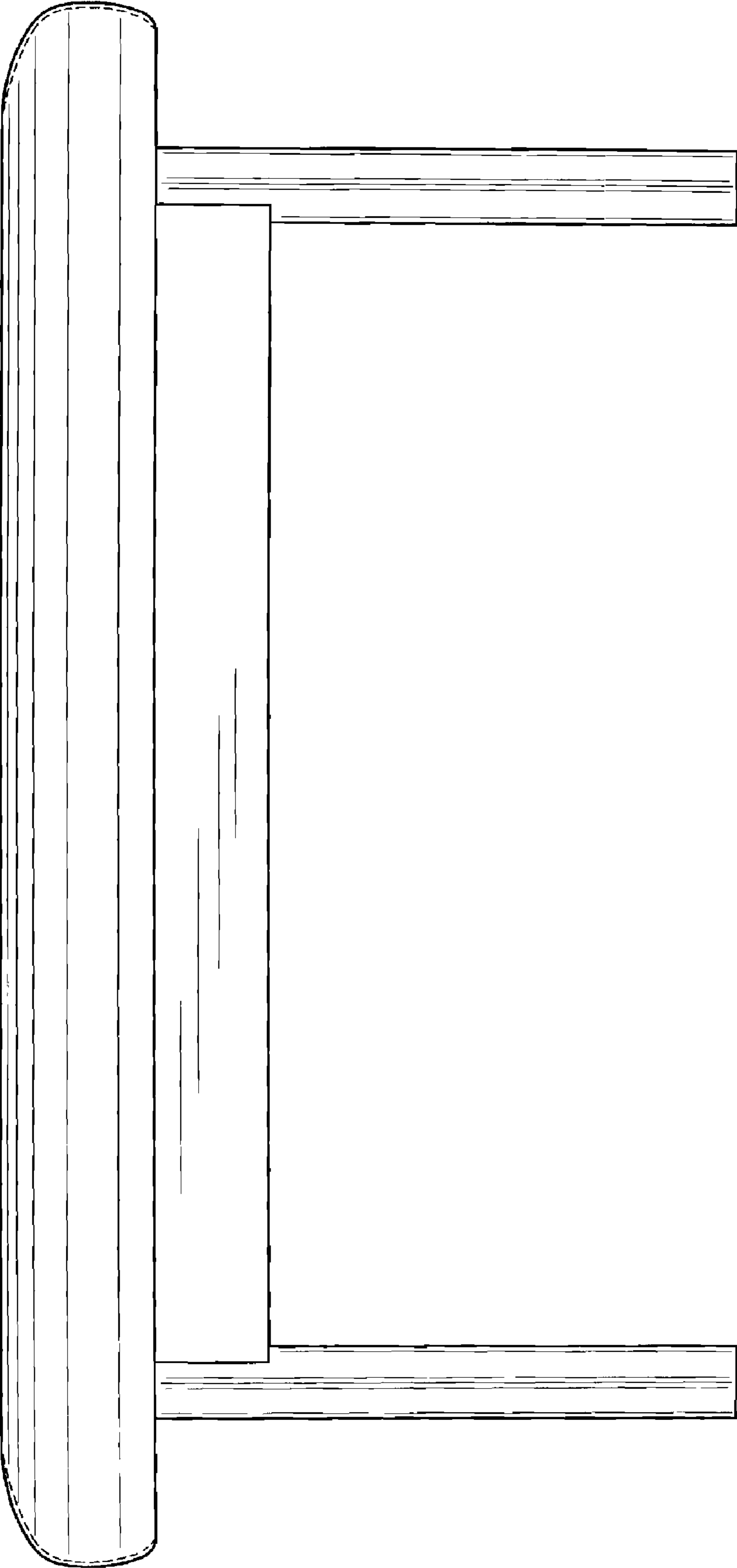


FIG. 1

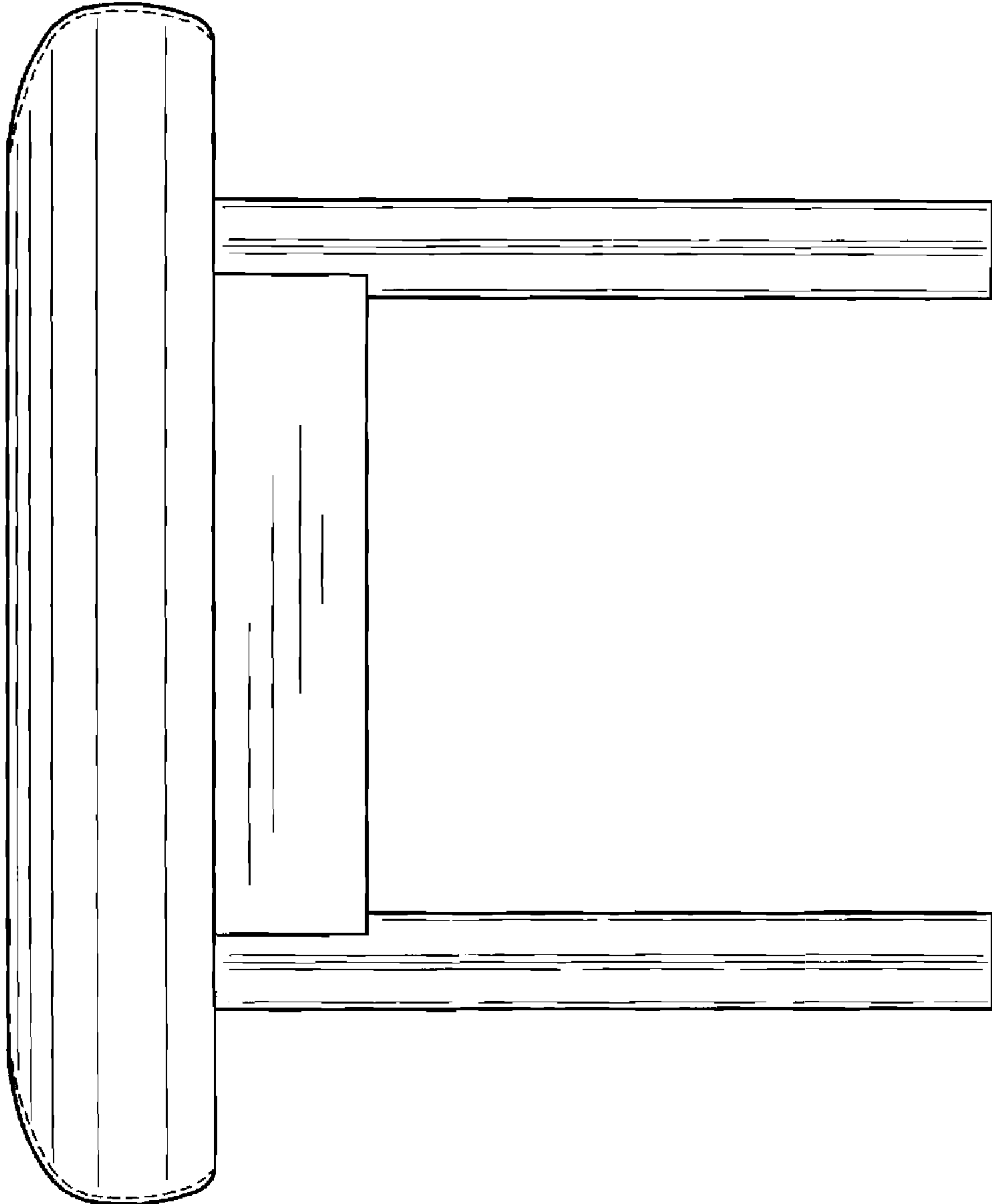


FIG. 2

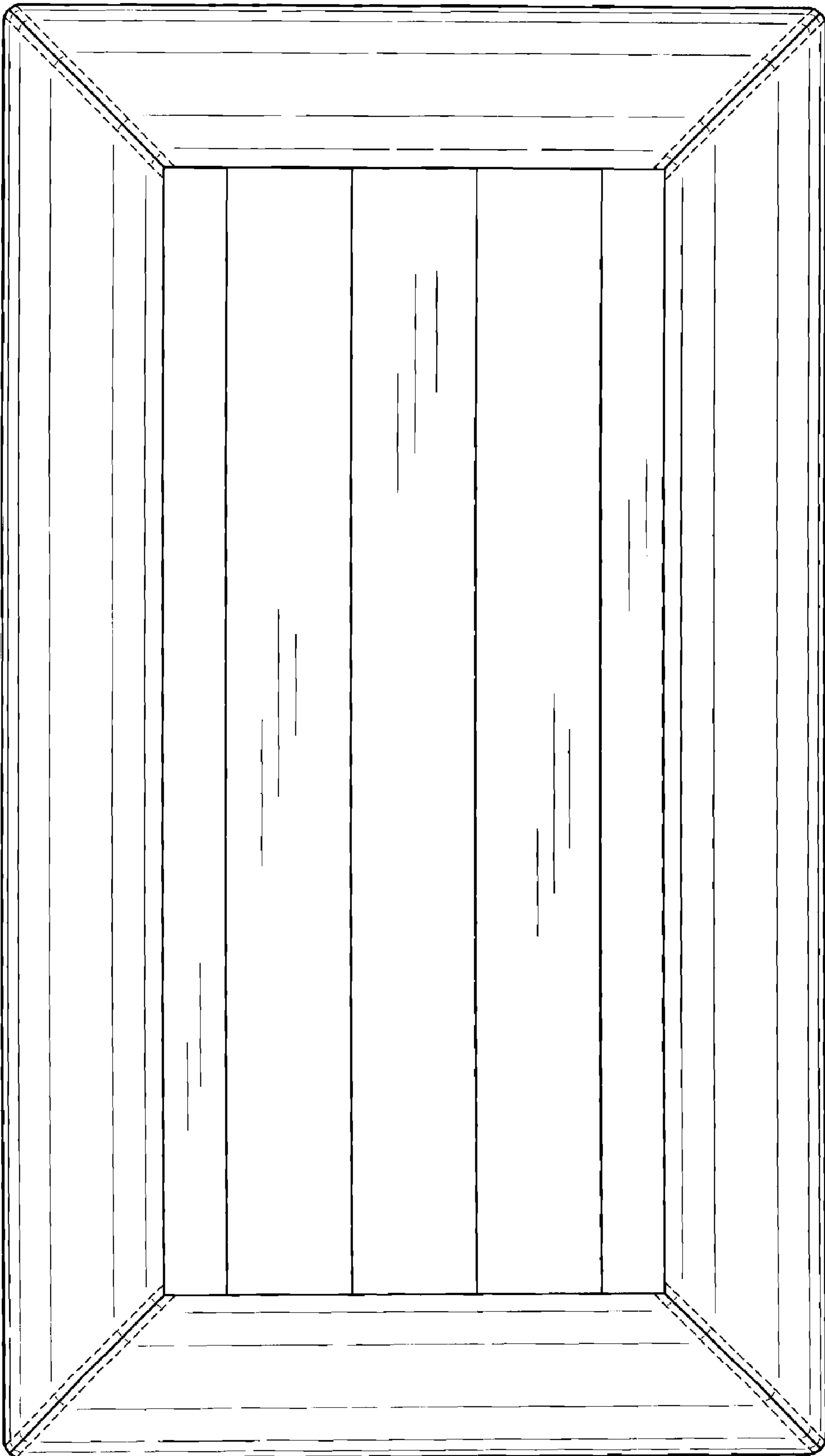


FIG. 3

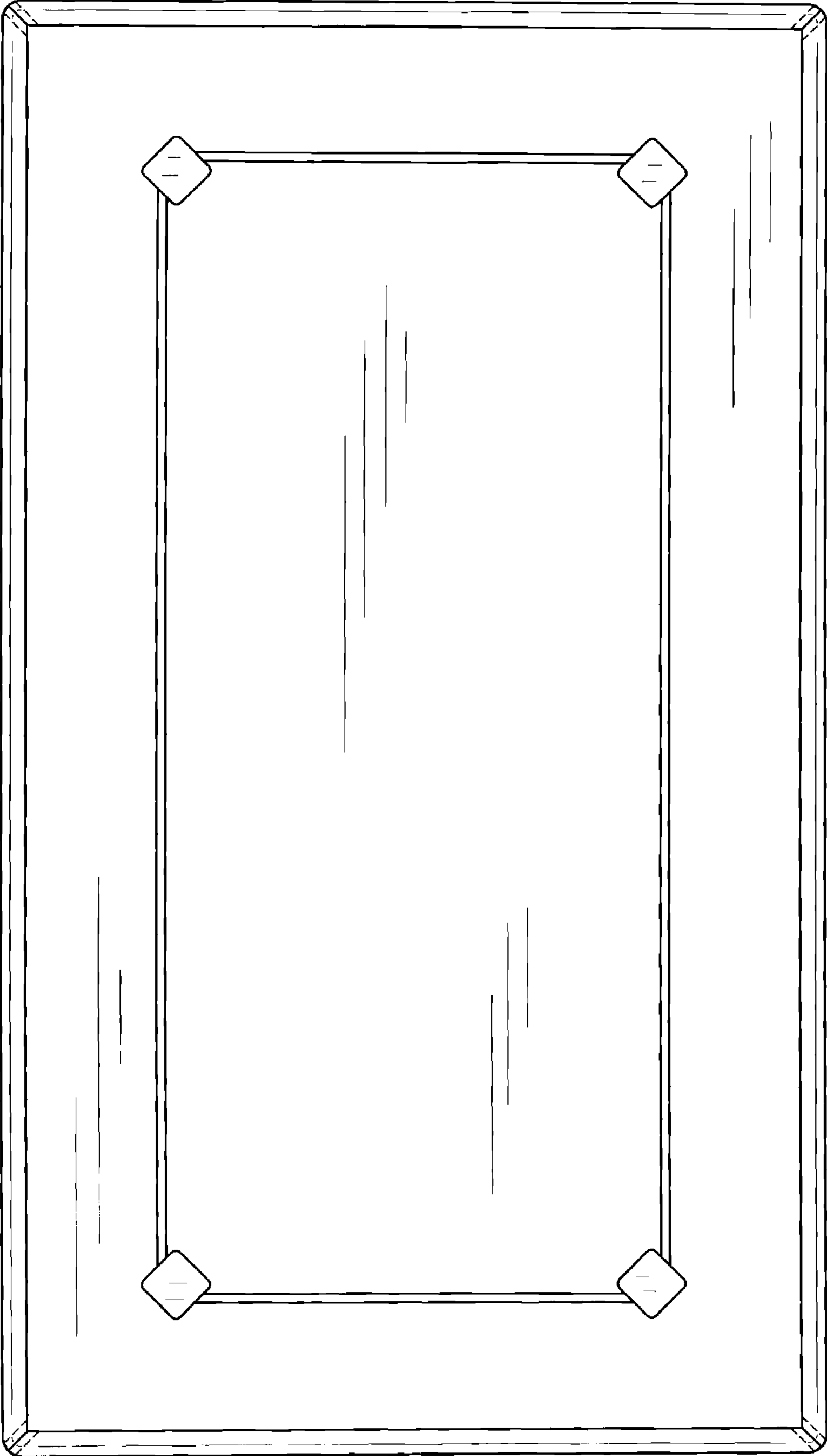


FIG. 4

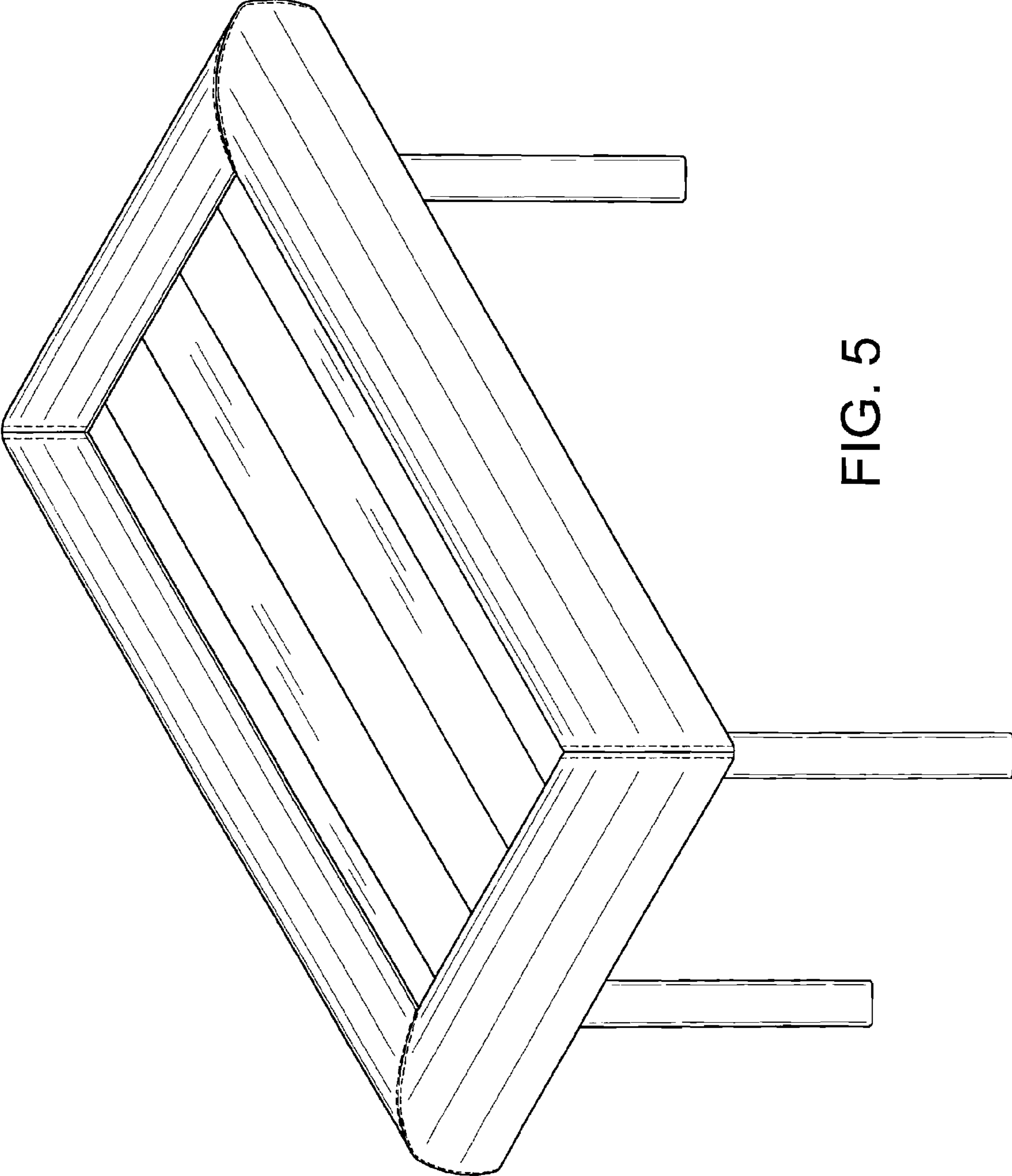


FIG. 5