



US00D611270S

(12) **United States Design Patent**
Castillo Higareda

(10) **Patent No.:** **US D611,270 S**
(45) **Date of Patent:** **** Mar. 9, 2010**

- (54) **DISPLAY TRAY**
- (75) Inventor: **Jose de Jesus Castillo Higareda**,
Racine, WI (US)
- (73) Assignee: **S.C. Johnson & Son, Inc.**, Racine, WI
(US)
- (**) Term: **14 Years**
- (21) Appl. No.: **29/344,549**
- (22) Filed: **Sep. 30, 2009**
- (51) **LOC (9) Cl.** **06-04**
- (52) **U.S. Cl.** **D6/475**
- (58) **Field of Classification Search** D6/475,
D6/510-512, 460; 211/13.1, 186, 188, 11;
108/11, 25, 14, 106-107, 153.1
See application file for complete search history.

- 5,161,699 A 11/1992 Hanna et al.
- D335,560 S * 5/1993 Fennell, Jr. D34/5
- D344,838 S * 3/1994 Hakansson D3/304
- 5,337,948 A 8/1994 Newsome et al.
- D358,095 S 5/1995 Weimer
- D358,096 S 5/1995 Weimer
- D359,180 S 6/1995 Bedney
- 5,464,149 A 11/1995 Fowler et al.
- D364,814 S 12/1995 Laib
- 5,495,983 A 3/1996 Lelek
- 5,590,788 A 1/1997 Inman
- 5,758,818 A 6/1998 Ewing, Jr.
- 5,775,573 A 7/1998 Smith
- D399,740 S 10/1998 Sheffer
- D406,478 S 3/1999 Rahman
- 5,881,884 A 3/1999 Podosek
- 5,967,406 A 10/1999 Moorman
- 5,971,265 A 10/1999 Collins
- D423,359 S 4/2000 MacLean et al.

(Continued)

Primary Examiner—Elizabeth A Albert
Assistant Examiner—Kelley A Donnelly

(56) **References Cited**

U.S. PATENT DOCUMENTS

- 3,680,687 A 8/1972 D’Alessio
- 3,724,650 A 4/1973 Forbes, Jr.
- 3,782,538 A 6/1974 Kinderman
- 3,860,309 A * 1/1975 Brendgord 312/351
- 3,924,734 A 12/1975 Gardner et al.
- 4,018,377 A 4/1977 Kent et al.
- 4,111,353 A 9/1978 Collins et al.
- 4,116,330 A 9/1978 Ellis
- 4,214,696 A 7/1980 Barton et al.
- 4,274,579 A 6/1981 Kulig
- 4,376,508 A 3/1983 Gardner et al.
- 4,396,115 A 8/1983 Watson
- 4,403,727 A 9/1983 Grieve et al.
- 4,413,769 A 11/1983 Michetti
- 4,467,923 A 8/1984 Dornbusch et al.
- 4,579,220 A 4/1986 Brundage
- D284,917 S * 8/1986 Canter D6/476
- D285,993 S * 10/1986 Genna D6/475
- 4,641,746 A 2/1987 Dornbusch et al.
- 4,830,272 A 5/1989 Wear et al.
- D319,940 S 9/1991 Ehlebracht
- D328,539 S * 8/1992 Waterston D6/475
- D329,154 S * 9/1992 Waterston D6/476

(57) **CLAIM**

The ornamental design for a display tray, as shown and described.

DESCRIPTION

FIG. 1 is a perspective view of a display tray showing our new design;

FIG. 2 is a front elevational view thereof;

FIG. 3 is a rear elevational view thereof;

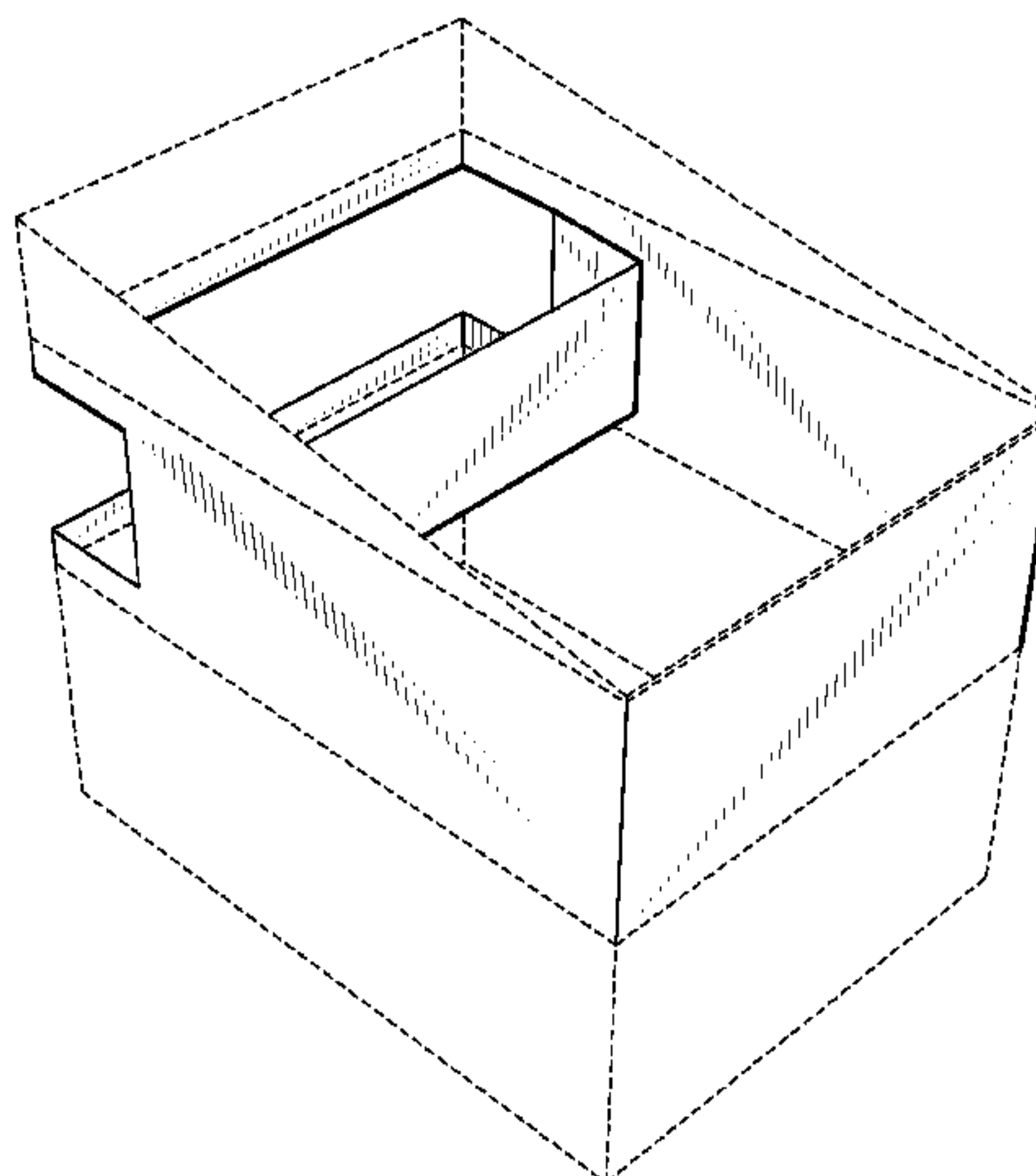
FIG. 4 is a right side elevational view thereof, the left side elevational view being a mirror image thereof;

FIG. 5 is a top plan view thereof; and,

FIG. 6 is a bottom plan view thereof.

The broken line showing of the display tray is included for the purpose of illustrating environmental structure and forms no part of the claimed design.

1 Claim, 3 Drawing Sheets



US D611,270 S

Page 2

U.S. PATENT DOCUMENTS							
D425,703	S	*	5/2000	Ohayon	D3/304	
6,059,180	A		5/2000	Collins			
D426,403	S	*	6/2000	Chumley et al.	D6/476	
D436,313	S		1/2001	Joshua et al.			
D452,820	S		1/2002	Hacker			
D455,979	S	*	4/2002	Salenger	D11/155	
D461,405	S		8/2002	Hacker			
D466,010	S		11/2002	Valdez et al.			
D477,158	S		7/2003	Calcerano et al.			
D487,971	S		4/2004	Bergeron et al.			
D493,309	S		7/2004	Moss et al.			
D495,532	S		9/2004	Meissen et al.			
7,036,716	B2		5/2006	Kanamori et al.			
D523,338	S		6/2006	Hoge et al.			
7,066,379	B2		6/2006	McLeod et al.			
7,083,048	B2		8/2006	Taylor et al.			
D534,810	S		1/2007	Sellars			
D552,879	S		10/2007	Phan			
D555,938	S		11/2007	Brisco			
7,364,064	B2		4/2008	Kanamori et al.			
D574,151	S	*	8/2008	Reitze	D3/314	
D579,234	S	*	10/2008	Decarlo et al.	D6/449	
7,451,878	B2		11/2008	Rocheffort et al.			
D587,110	S		2/2009	Kronshage et al.			
D591,593	S		5/2009	Stannard et al.			
2005/0258223	A1		11/2005	Frosch et al.			
2006/0124712	A1		6/2006	Weimer, Jr.			
2006/0237341	A1*		10/2006	McDade	206/509	
2008/0197182	A1		8/2008	Jackson			
2008/0265010	A1		10/2008	Montague			
2009/0084835	A1		4/2009	Tibbels et al.			

* cited by examiner

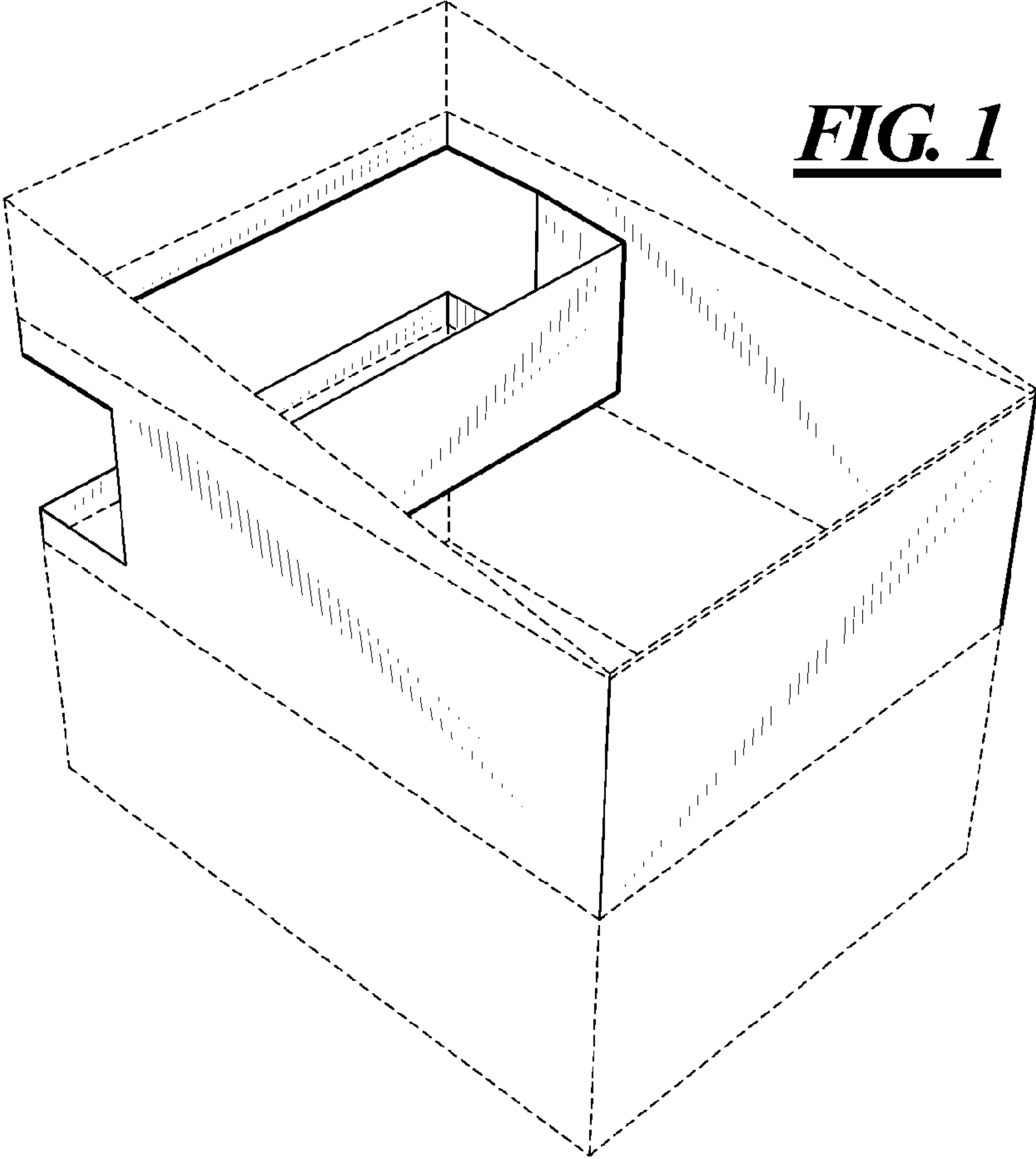


FIG. 1

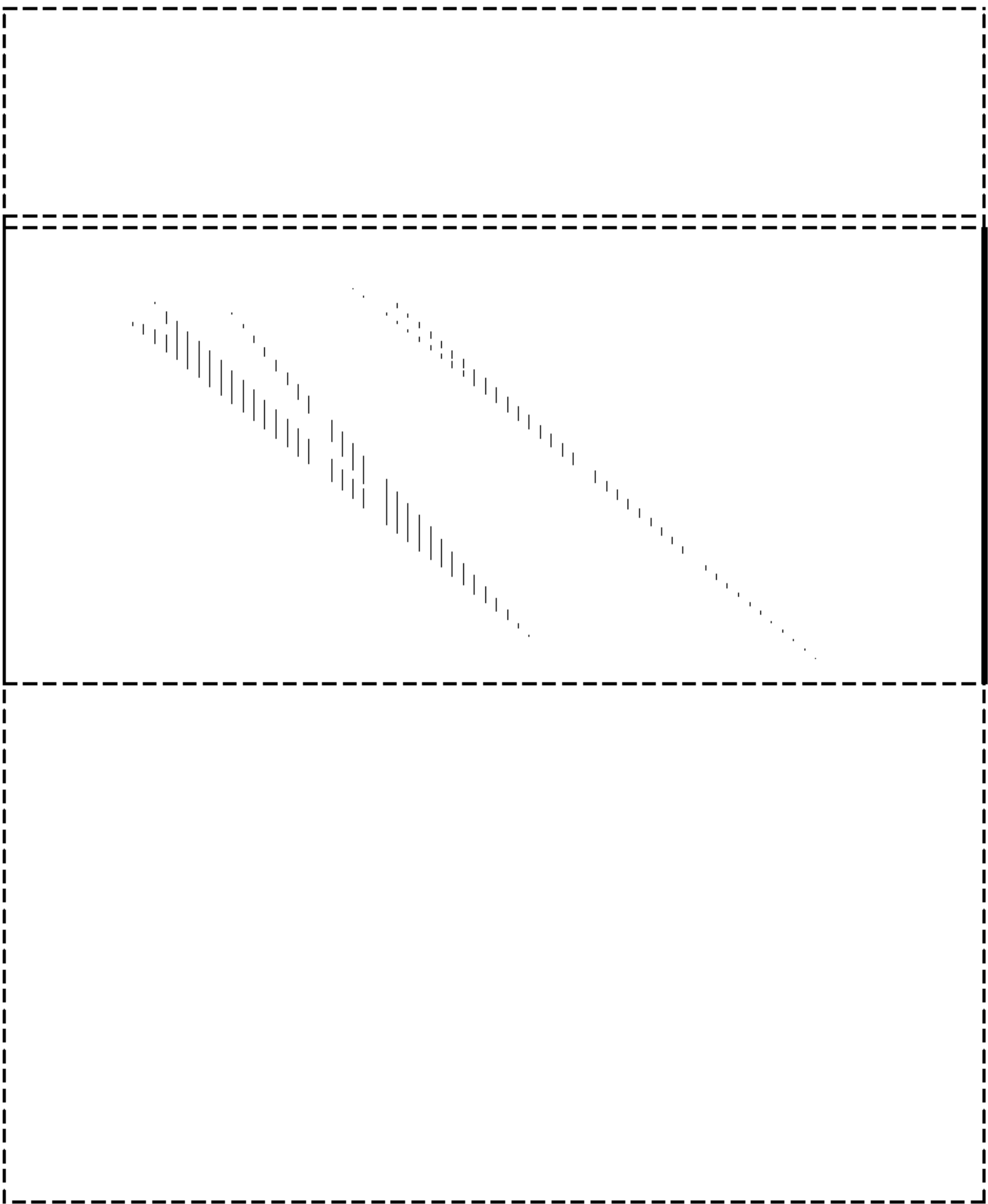


FIG. 2

FIG. 3

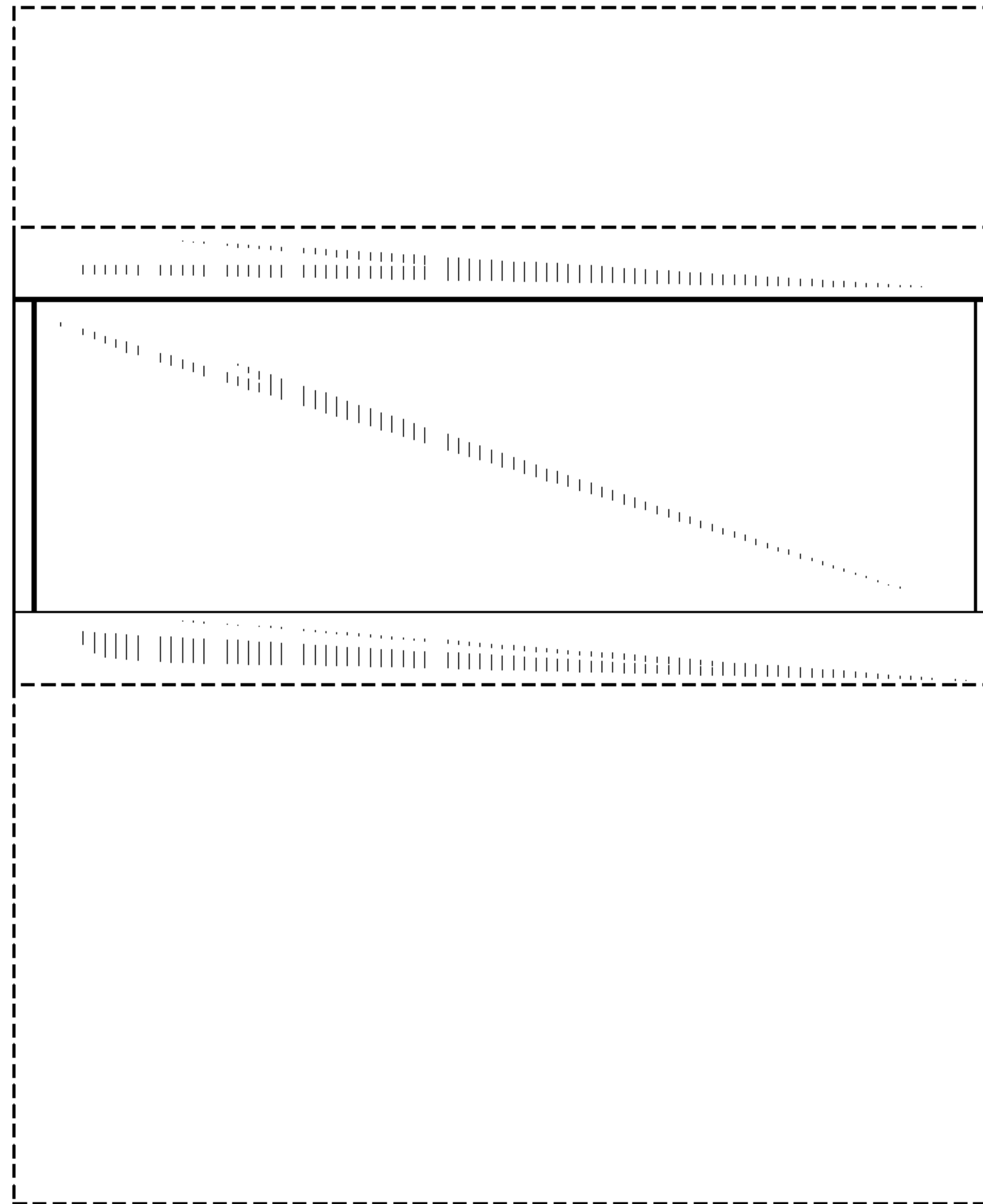


FIG. 4

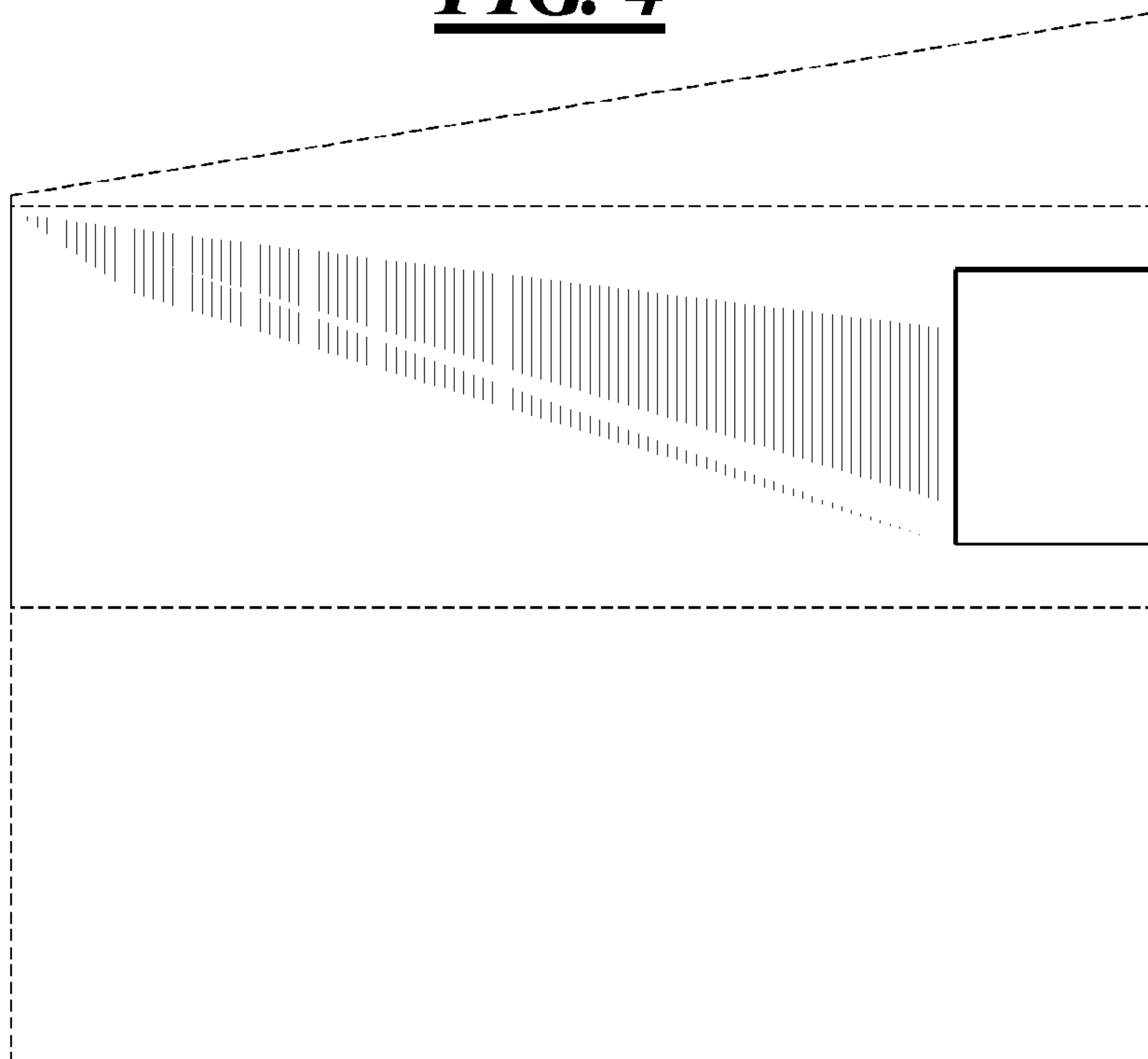


FIG. 5

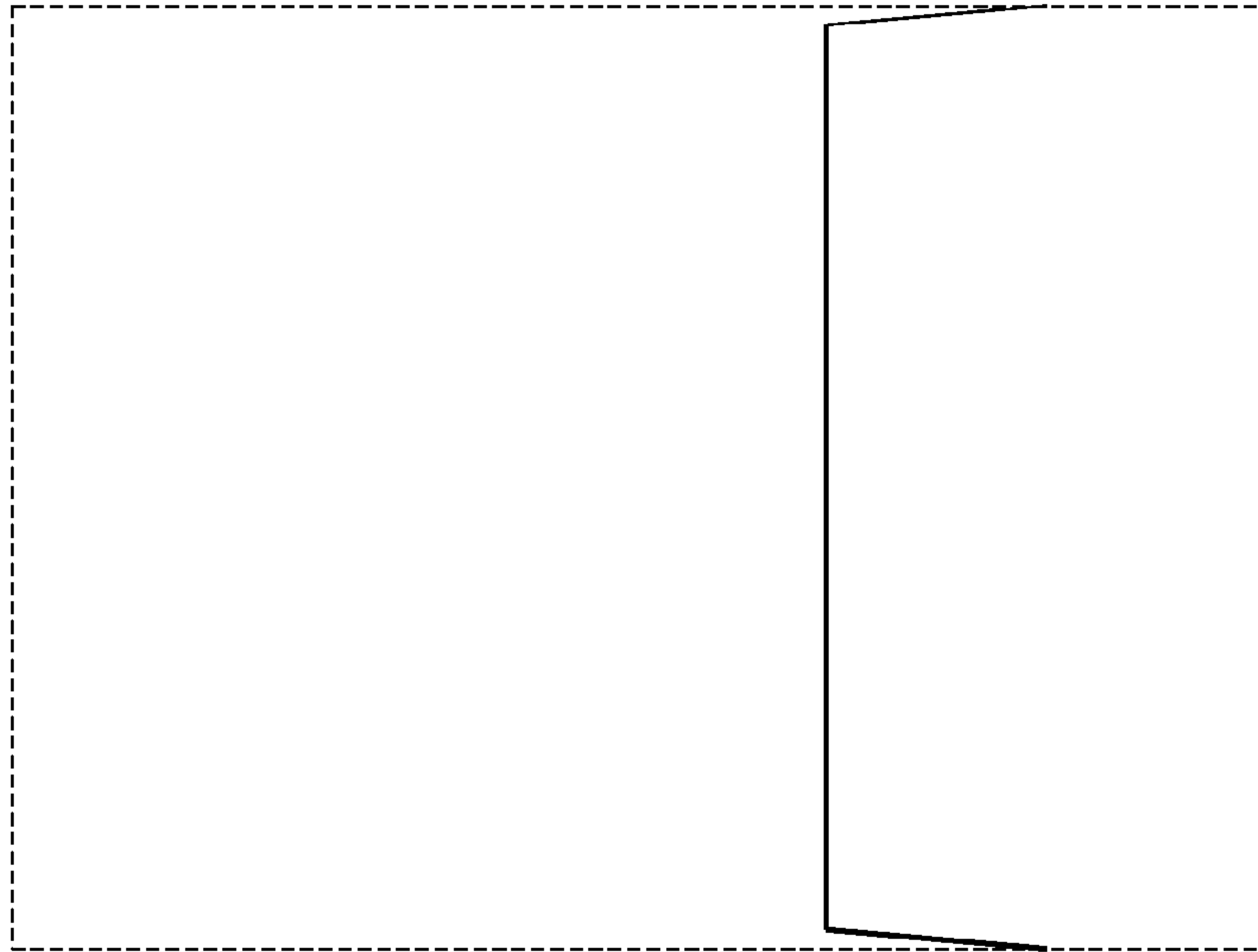


FIG. 6

