



US00D611269S

(12) **United States Design Patent**
Lippert et al.

(10) **Patent No.:** **US D611,269 S**
(45) **Date of Patent:** **** Mar. 9, 2010**

(54) **SAXOPHONE STAND**

(75) Inventors: **Helmut Lippert**, Breitenbrunn (DE);
Peter Reichert, Urspringen (DE)

(73) Assignee: **Koenig & Meyer GmbH & Co., KG**,
Wertheim (DE)

(**) Term: **14 Years**

(21) Appl. No.: **29/317,483**

(22) Filed: **Apr. 30, 2008**

(30) **Foreign Application Priority Data**

Jan. 15, 2008 (EM) 000867767

(51) **LOC (9) Cl.** **06-07**

(52) **U.S. Cl.** **D6/462; D17/99**

(58) **Field of Classification Search** D6/431,
D6/462, 466, 312, 414, 396; D21/691; 248/170,
248/157, 166, 177.1, 178.1; D17/99, 20,
D17/90; 211/85.6

See application file for complete search history.

(56) **References Cited**

U.S. PATENT DOCUMENTS

D236,227 S *	8/1975	Kester, Jr.	D6/431
D327,105 S *	6/1992	Smith, Jr.	D21/691
D396,579 S *	8/1998	Kalayjian	D6/462
D414,962 S *	10/1999	Welsh	D6/462
D435,365 S *	12/2000	Eason et al.	D6/466
6,283,421 B1 *	9/2001	Eason et al.	248/170
D473,058 S *	4/2003	Ingles	D6/312
D473,384 S *	4/2003	Ingles	D6/312
D534,741 S *	1/2007	Lippert	D6/462
D594,253 S *	6/2009	Lippert et al.	D6/466

* cited by examiner

Primary Examiner—Philip S Hyder
Assistant Examiner—Sydney R Buffalow

(74) *Attorney, Agent, or Firm*—Greenblum & Bernstein,
P.L.C.

(57) **CLAIM**

I claim the ornamental design for a saxophone stand, as shown and described.

DESCRIPTION

FIG. 1 is a front and right side perspective view of a saxophone stand showing an embodiment in a closed or retracted position;

FIG. 2 is a front view of the embodiment depicted in FIG. 1;

FIG. 3 is a rear view of the embodiment depicted in FIG. 1;

FIG. 4 is a left side view of the embodiment depicted in FIG. 1, which is a mirror image of a right side view of the embodiment depicted in FIG. 1;

FIG. 5 is a top view of the embodiment depicted in FIG. 1;

FIG. 6 is a bottom view of the embodiment depicted in FIG. 1;

FIG. 7 is a front and right side perspective view of a saxophone stand showing an embodiment in an open position;

FIG. 8 is a front view of the embodiment depicted in FIG. 8;

FIG. 9 is a rear view of the embodiment depicted in FIG. 8;

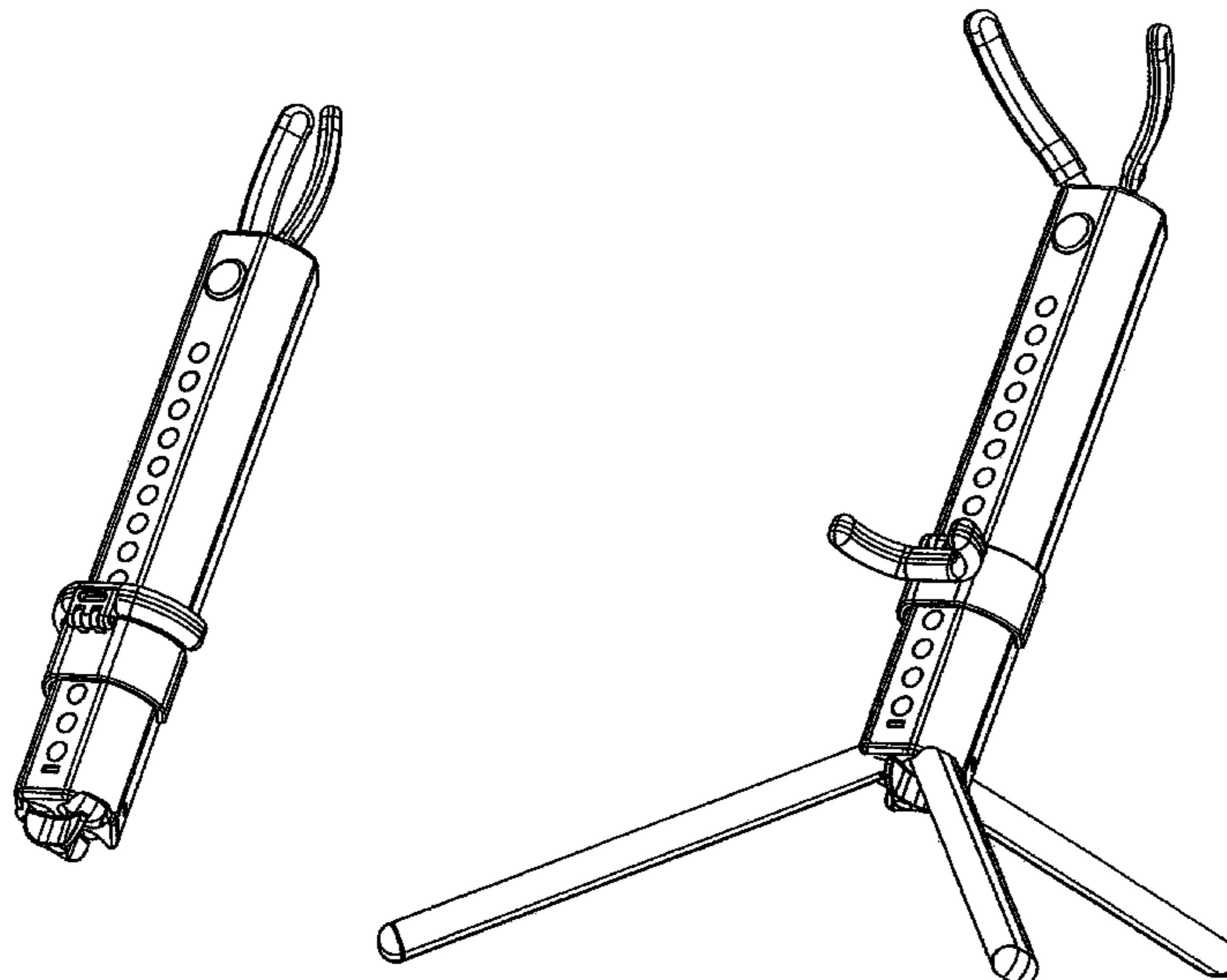
FIG. 10 is a left side view of the embodiment depicted in FIG. 8, which is a mirror image of a right side view of the embodiment depicted in FIG. 8;

FIG. 11 is a top view of the embodiment depicted in FIG. 8; and,

FIG. 12 is a bottom view of the embodiment depicted in FIG. 8.

Any surfaces of the design not shown, including interior surfaces, and the subject matter of any portions subsequently shown in dashed lines form no part of the claimed invention.

1 Claim, 12 Drawing Sheets



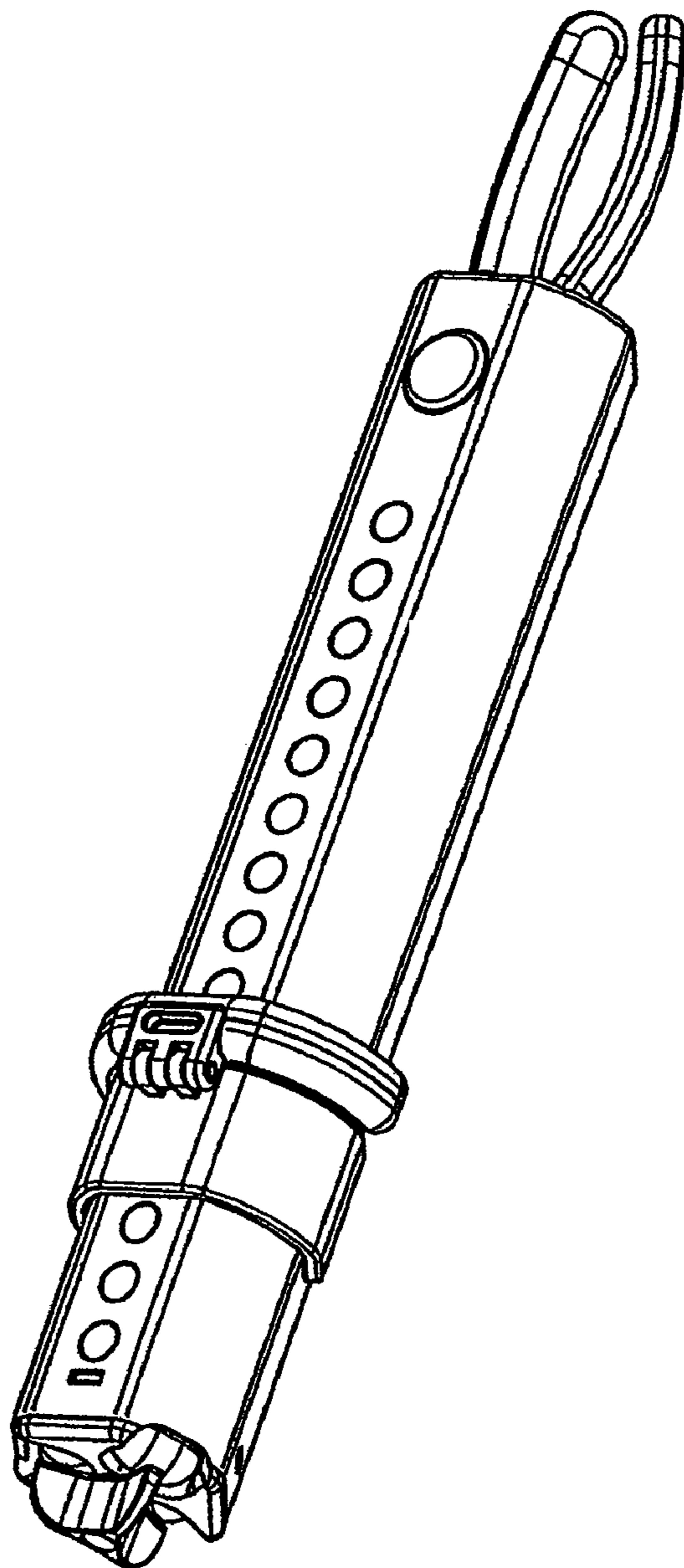


FIG. 1

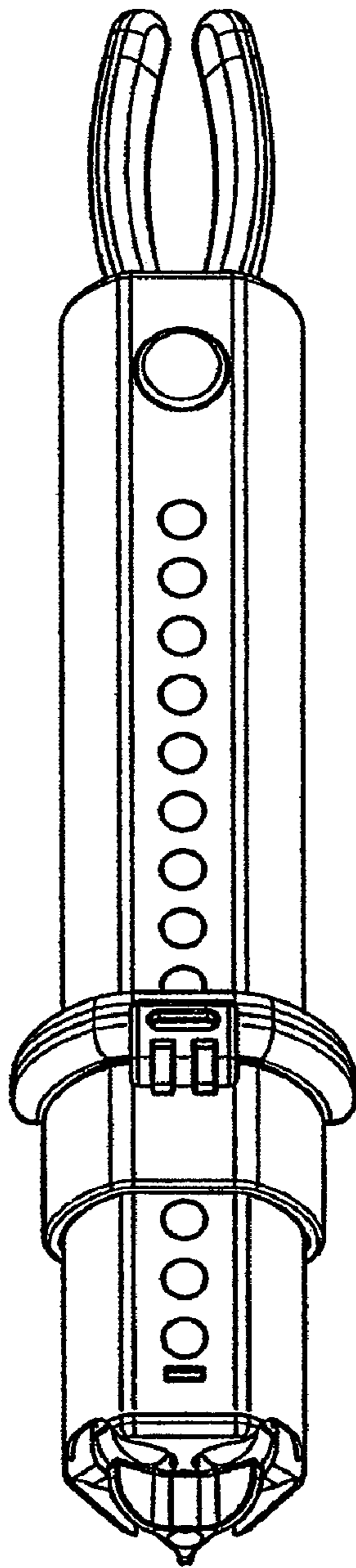


FIG. 2

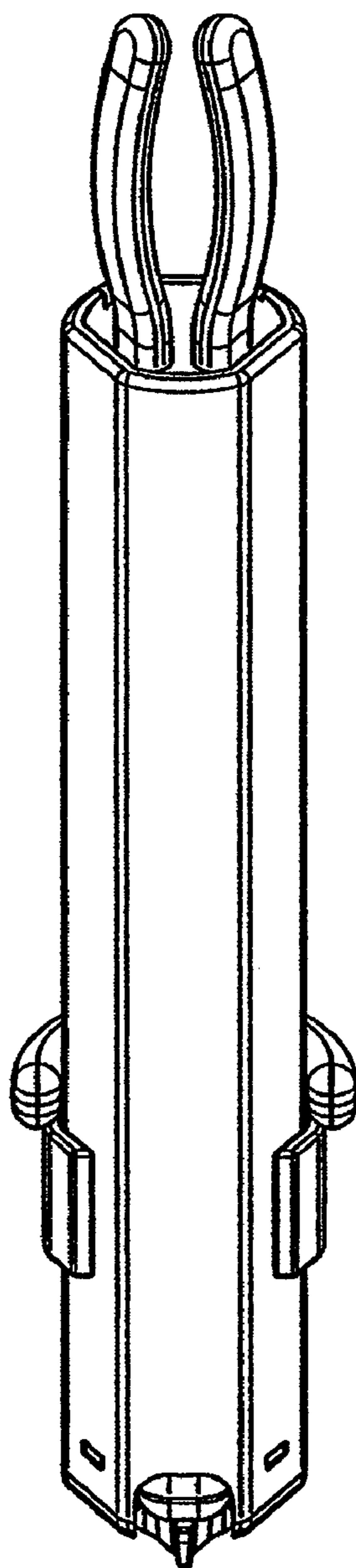


FIG. 3

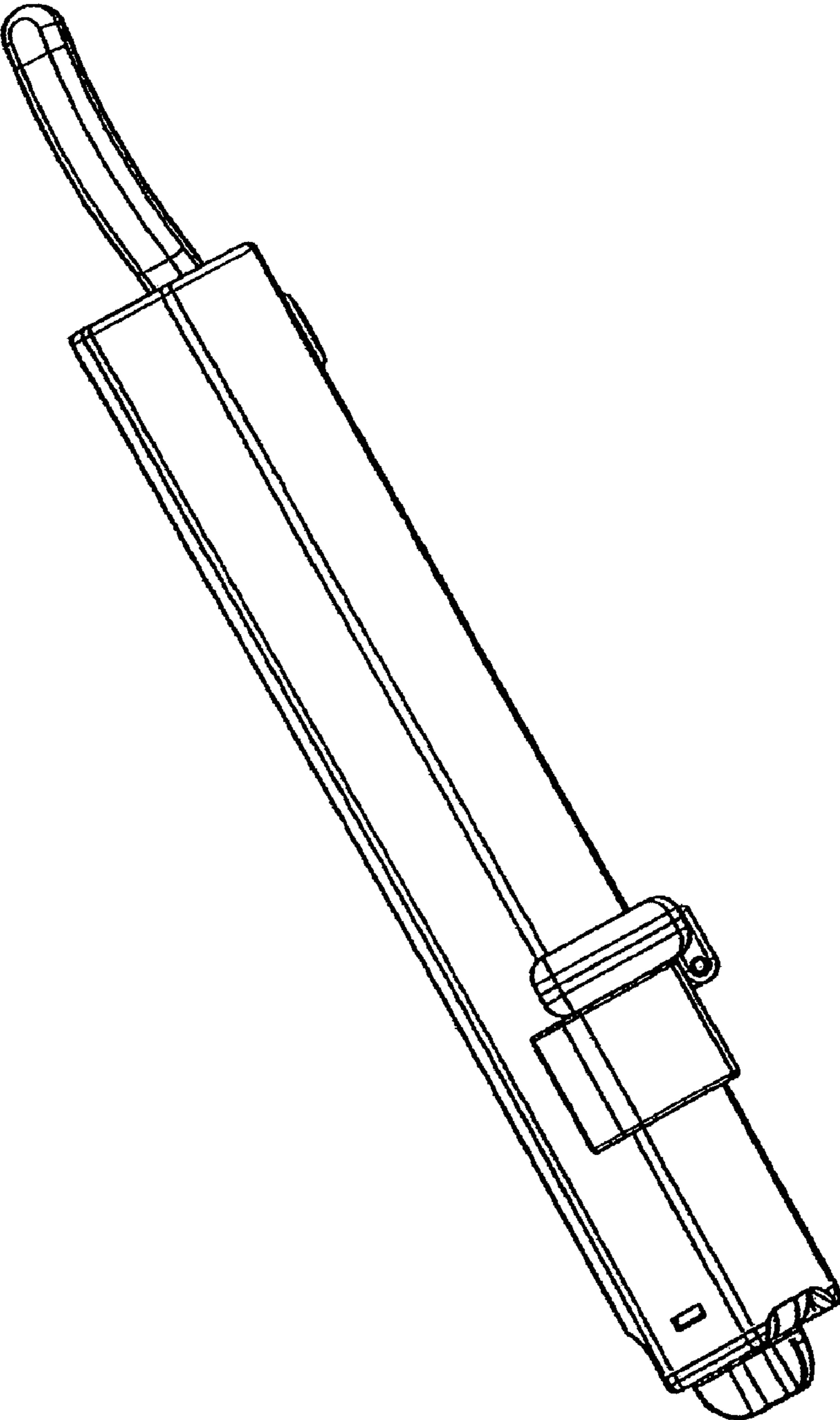


FIG 4

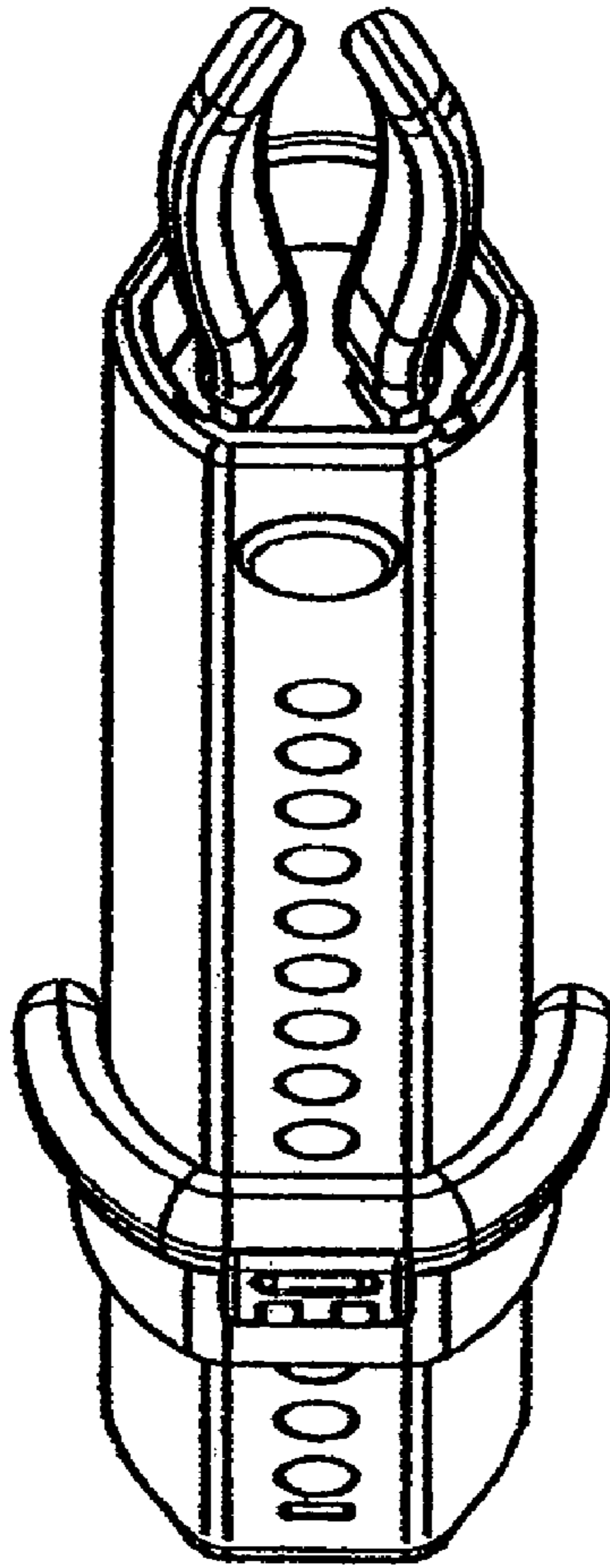


FIG 5

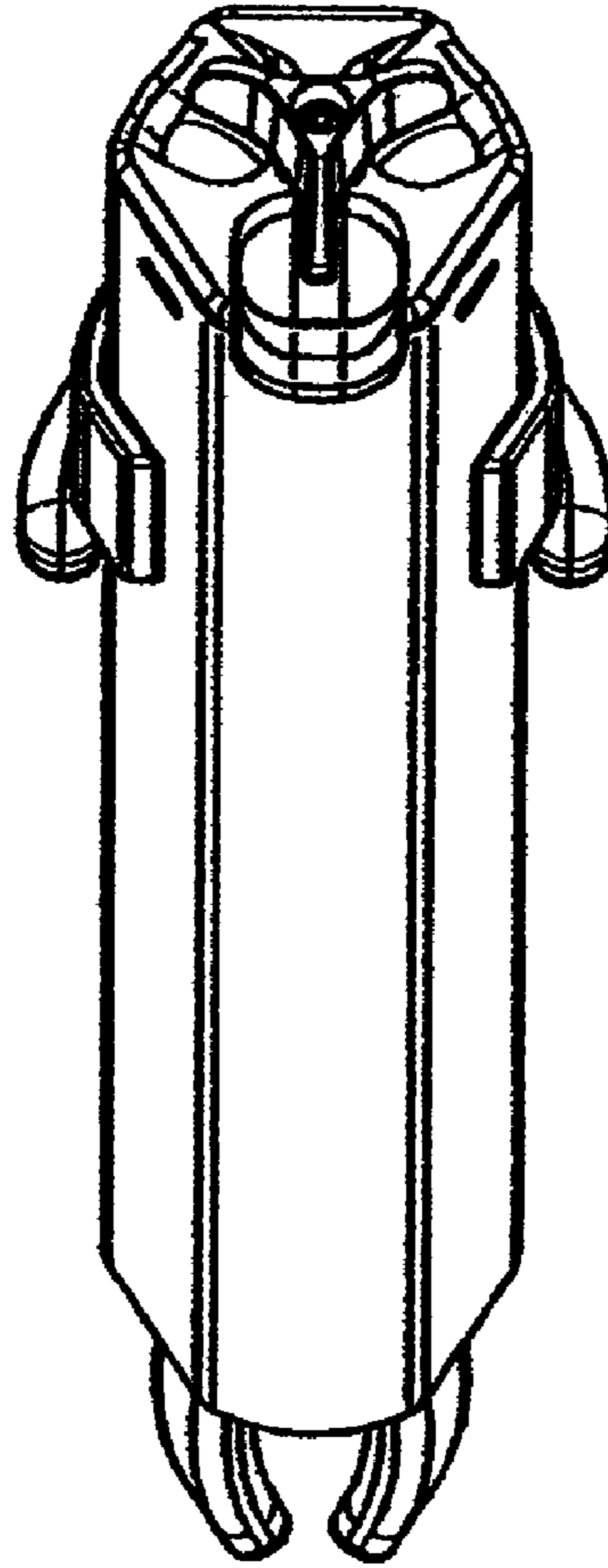


FIG 6

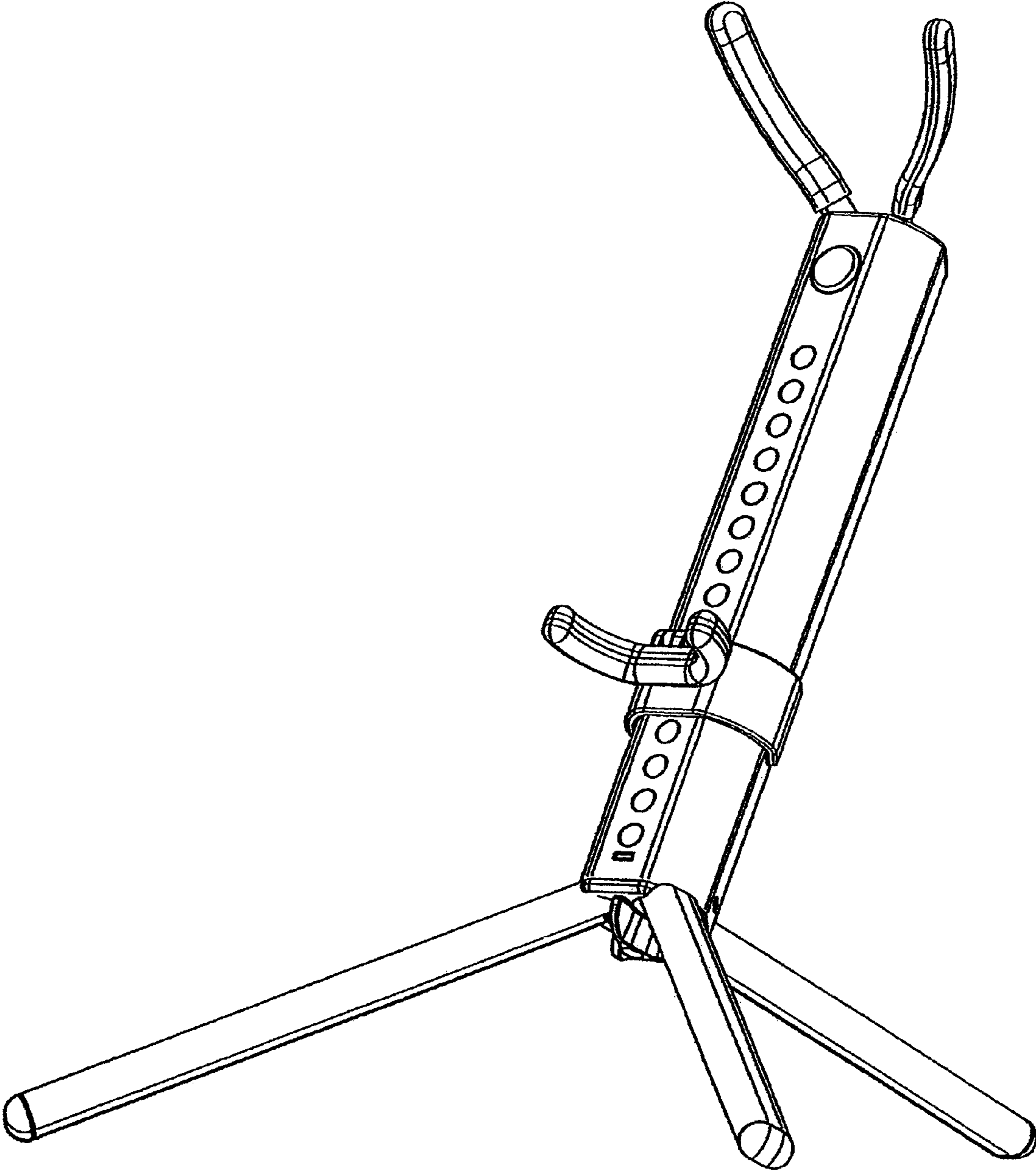


FIG 7

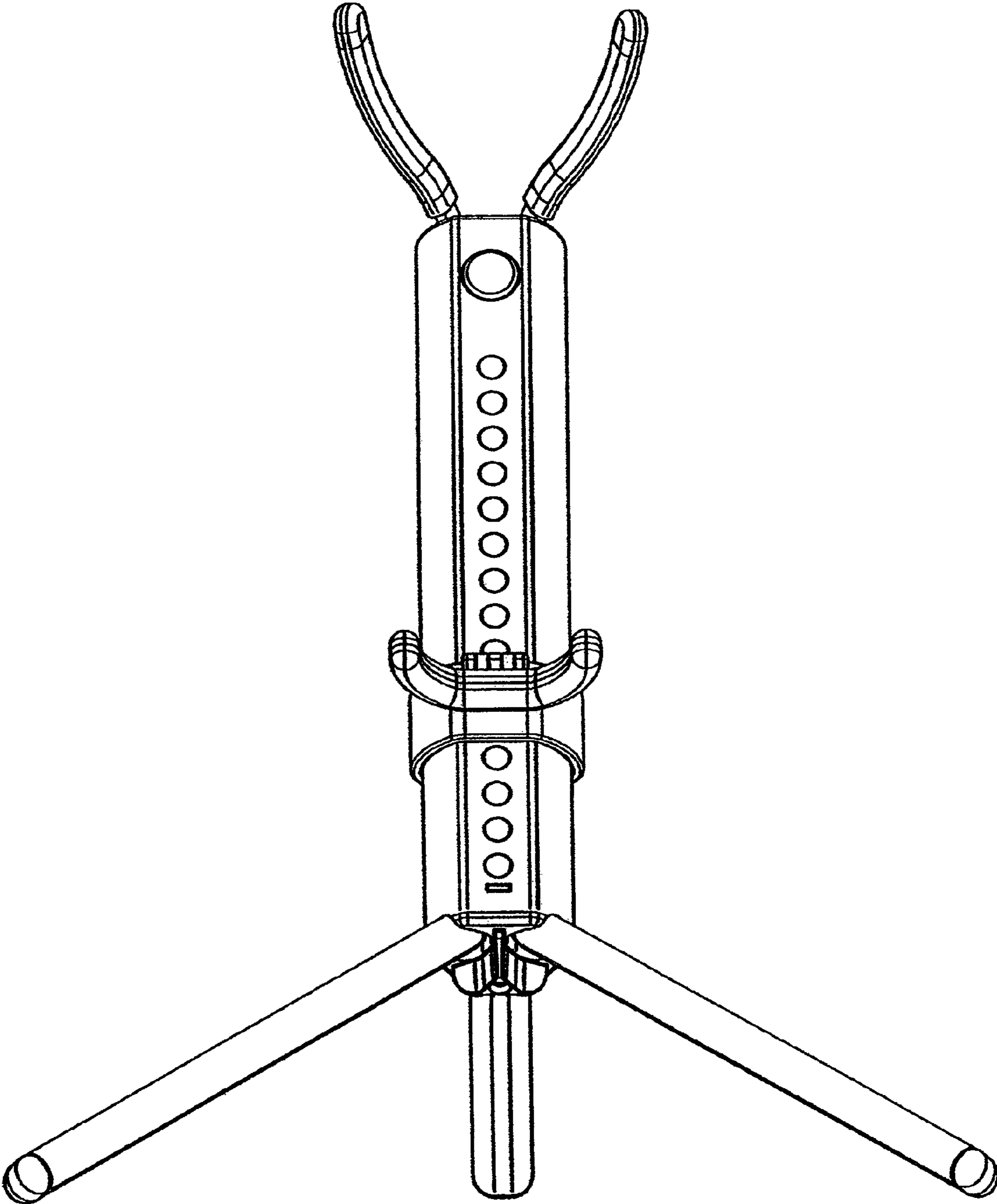


FIG 8

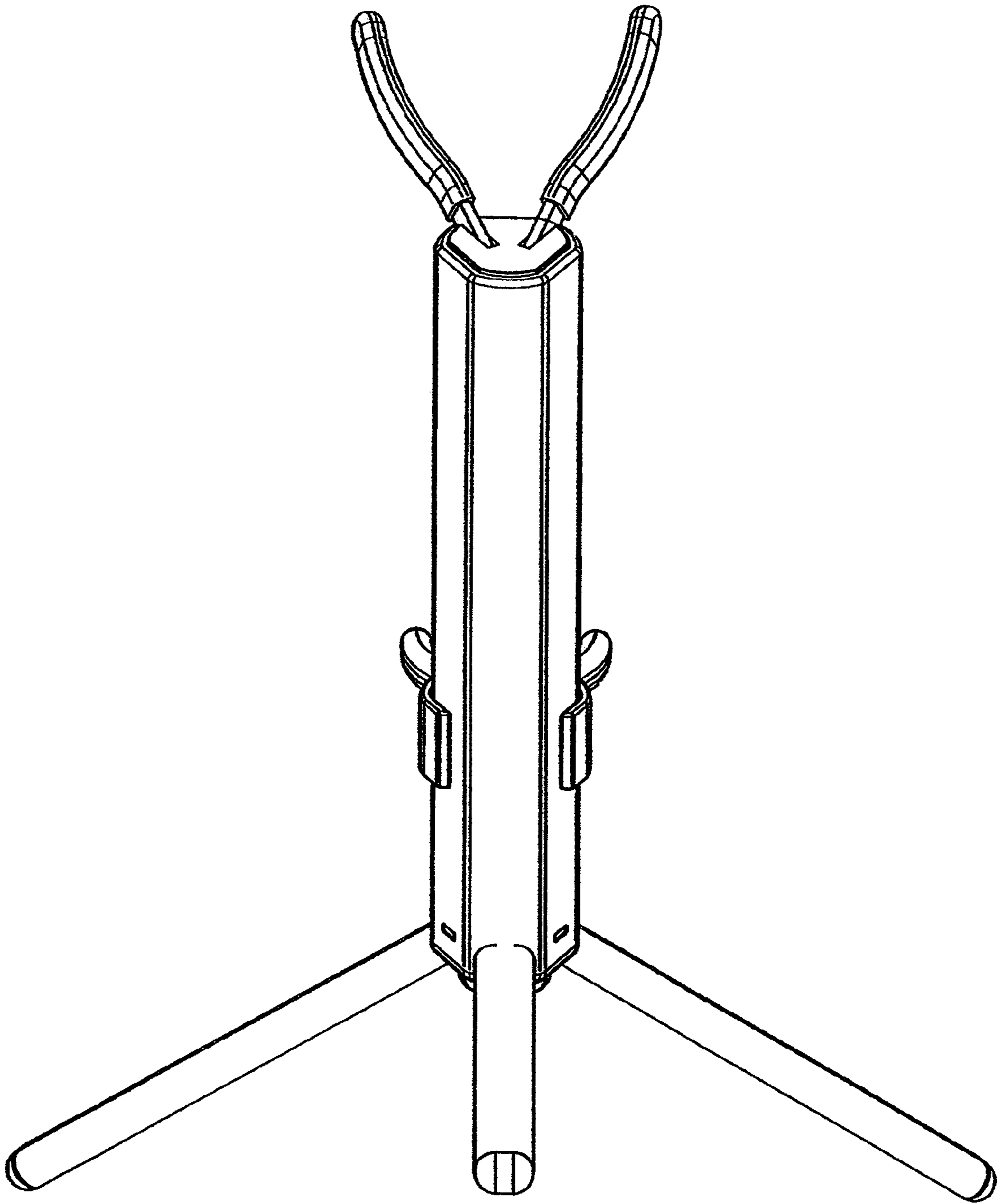


FIG 9

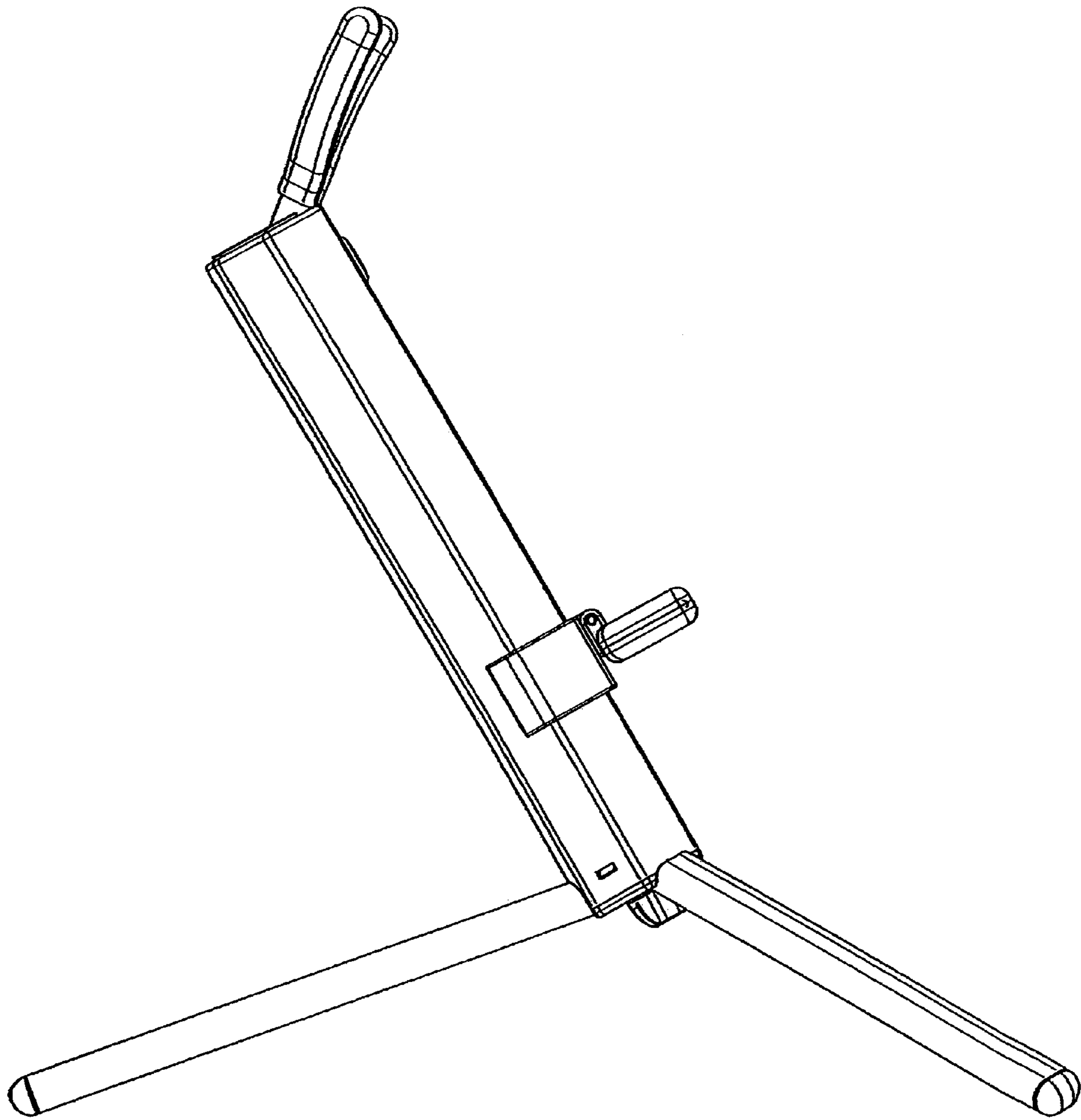


FIG 10

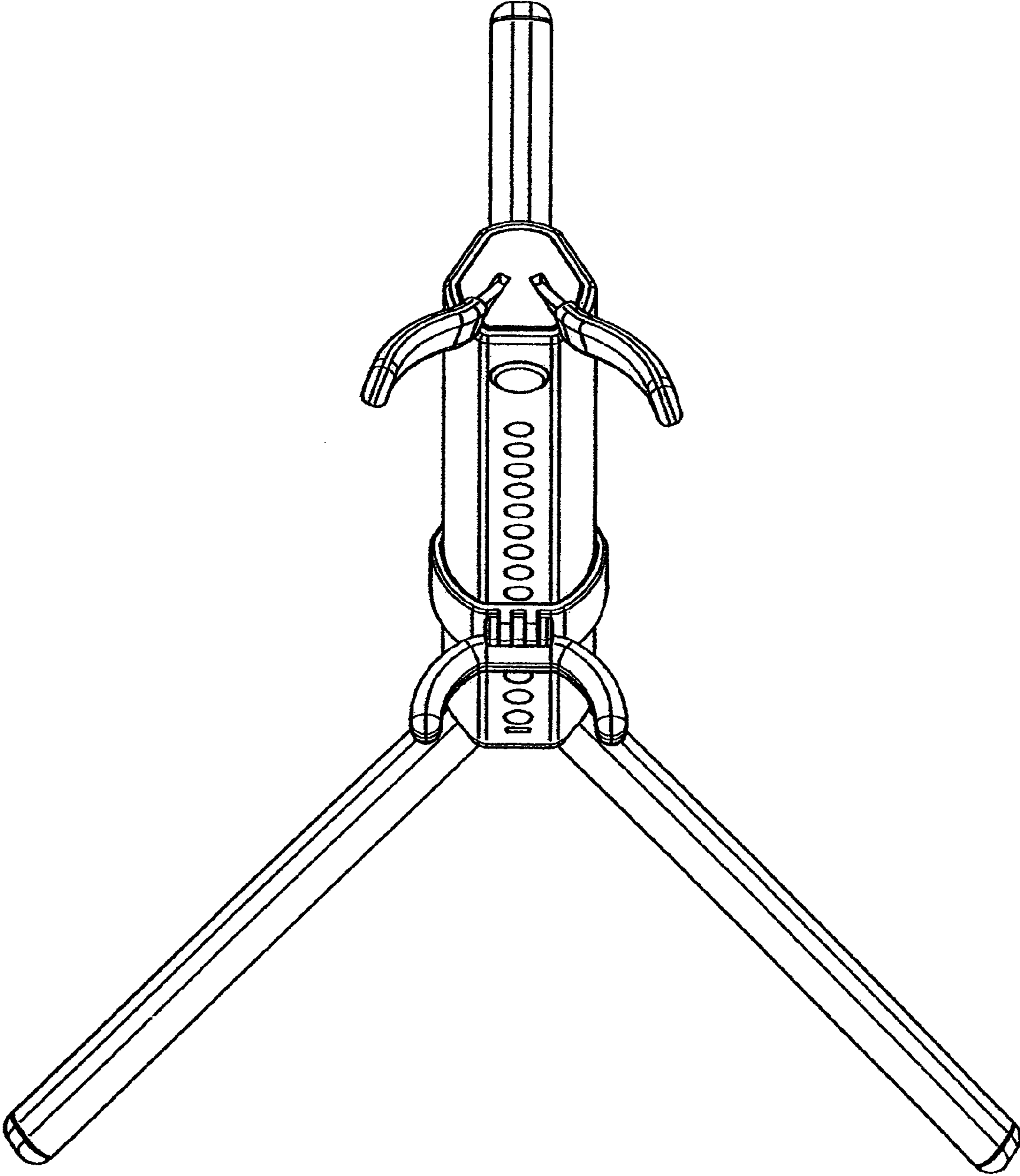


FIG 11

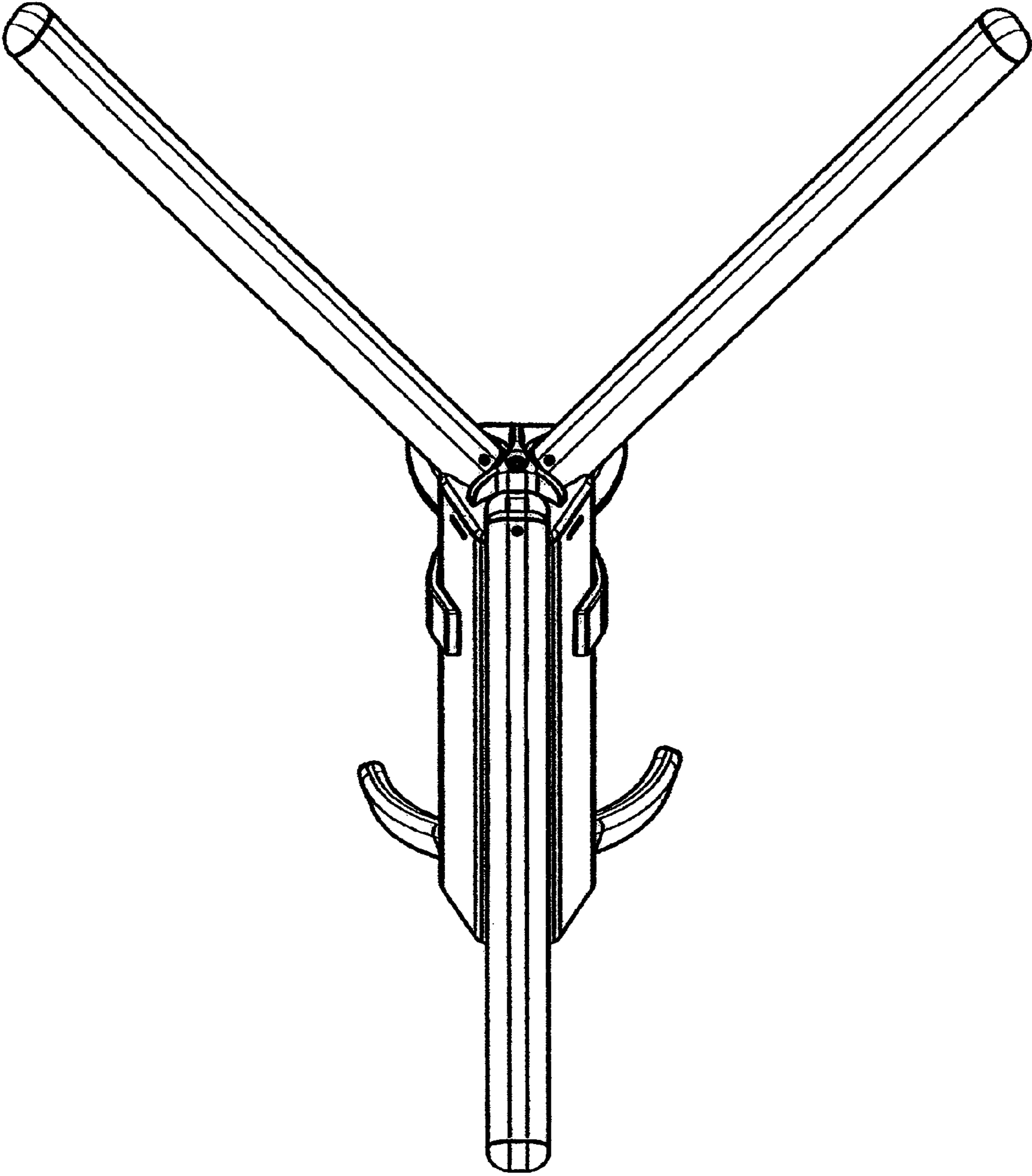


FIG 12