



US00D611267S

(12) **United States Design Patent**  
**Collette**

(10) **Patent No.:** **US D611,267 S**  
(45) **Date of Patent:** **\*\* Mar. 9, 2010**

(54) **WARDROBE**

(75) Inventor: **Frederic Collette**, Frederiksberg C (DK)

(73) Assignee: **Frederic Collette APS**, Frederiksberg C (DK)

(\*\*) Term: **14 Years**

(21) Appl. No.: **29/295,542**

(22) Filed: **Oct. 1, 2007**

(30) **Foreign Application Priority Data**

Mar. 29, 2002 (EM) ..... 0000698535-0002

(51) **LOC (9) Cl.** ..... **06-04**

(52) **U.S. Cl.** ..... **D6/436**

(58) **Field of Classification Search** ..... D6/349,  
D6/432-448, 473, 477-479, 480-489, 495-499;  
108/115, 118, 120, 129, 131, 150, 153.1,  
108/155-156, 161; 248/188, 188.1, 188.8;  
297/44; 312/114, 204, 224, 227

See application file for complete search history.

(56) **References Cited**

**U.S. PATENT DOCUMENTS**

4,630,861 A \* 12/1986 Henschel ..... 297/44  
D324,788 S \* 3/1992 White ..... D6/445

D346,704 S \* 5/1994 Grosfillex ..... D6/349  
D422,164 S \* 4/2000 Ray et al. .... D6/473  
D465,351 S \* 11/2002 Tobin, Jr. .... D6/439  
D515,335 S \* 2/2006 Berry et al. .... D6/439  
D531,429 S \* 11/2006 Henschel ..... D6/480

\* cited by examiner

*Primary Examiner*—Caron Veynar

*Assistant Examiner*—Ricky Pham

(74) *Attorney, Agent, or Firm*—Klein, O'Neill & Singh, LLP

(57) **CLAIM**

The ornamental design of a wardrobe, as shown.

**DESCRIPTION**

FIG. 1 is a rear elevational view of a wardrobe, in accordance with my new design;

FIG. 2 is a bottom plan view of the wardrobe of FIG. 1;

FIG. 3 is a front elevational view of the wardrobe of FIG. 1;

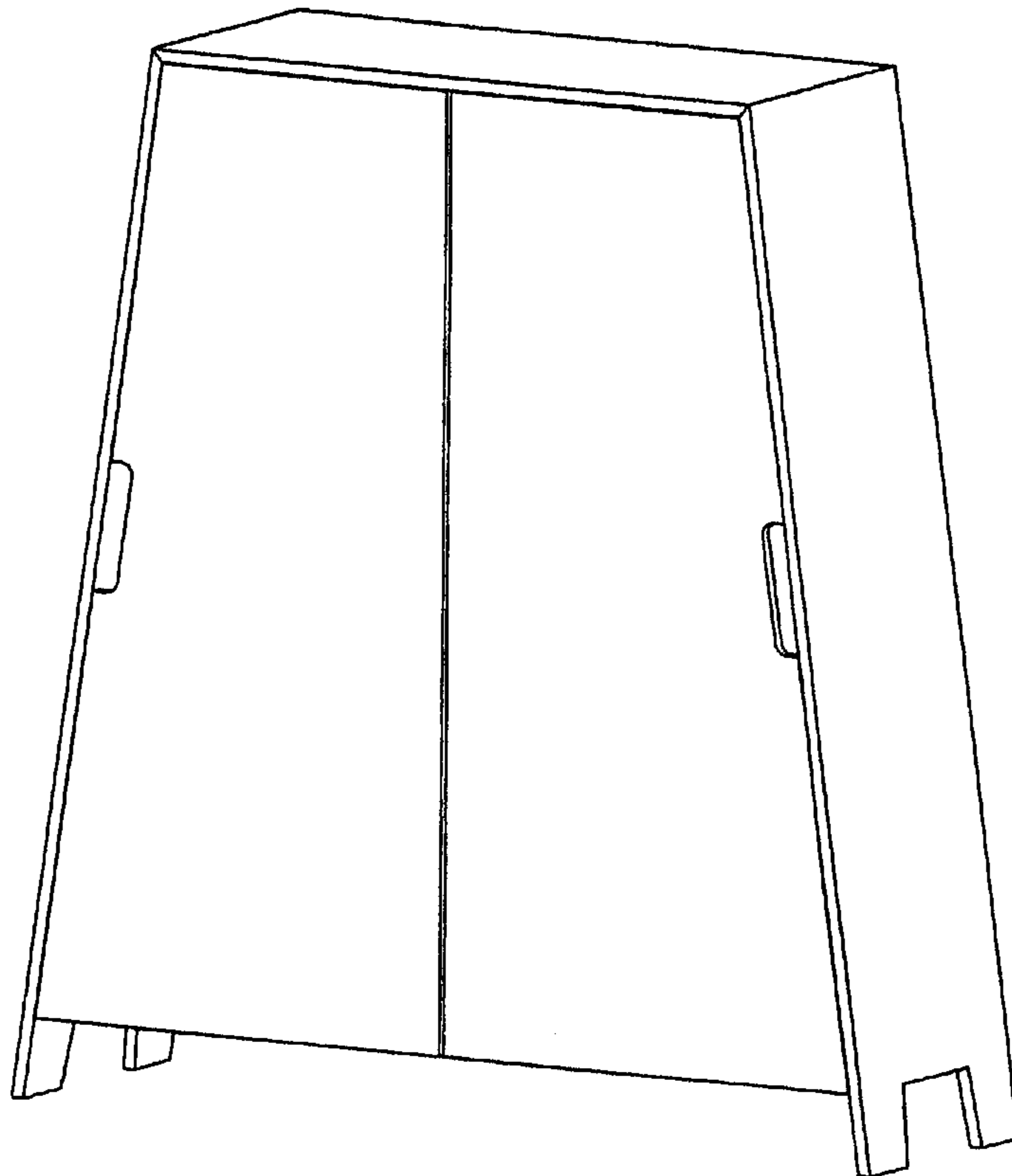
FIG. 4 is a left side elevational view of the wardrobe of FIG. 1;

FIG. 5 is a perspective view of the wardrobe of FIG. 3;

FIG. 6 is a right side elevational view of the wardrobe of FIG. 1; and,

FIG. 7 is a top plan view of the wardrobe of FIG. 1.

**1 Claim, 7 Drawing Sheets**



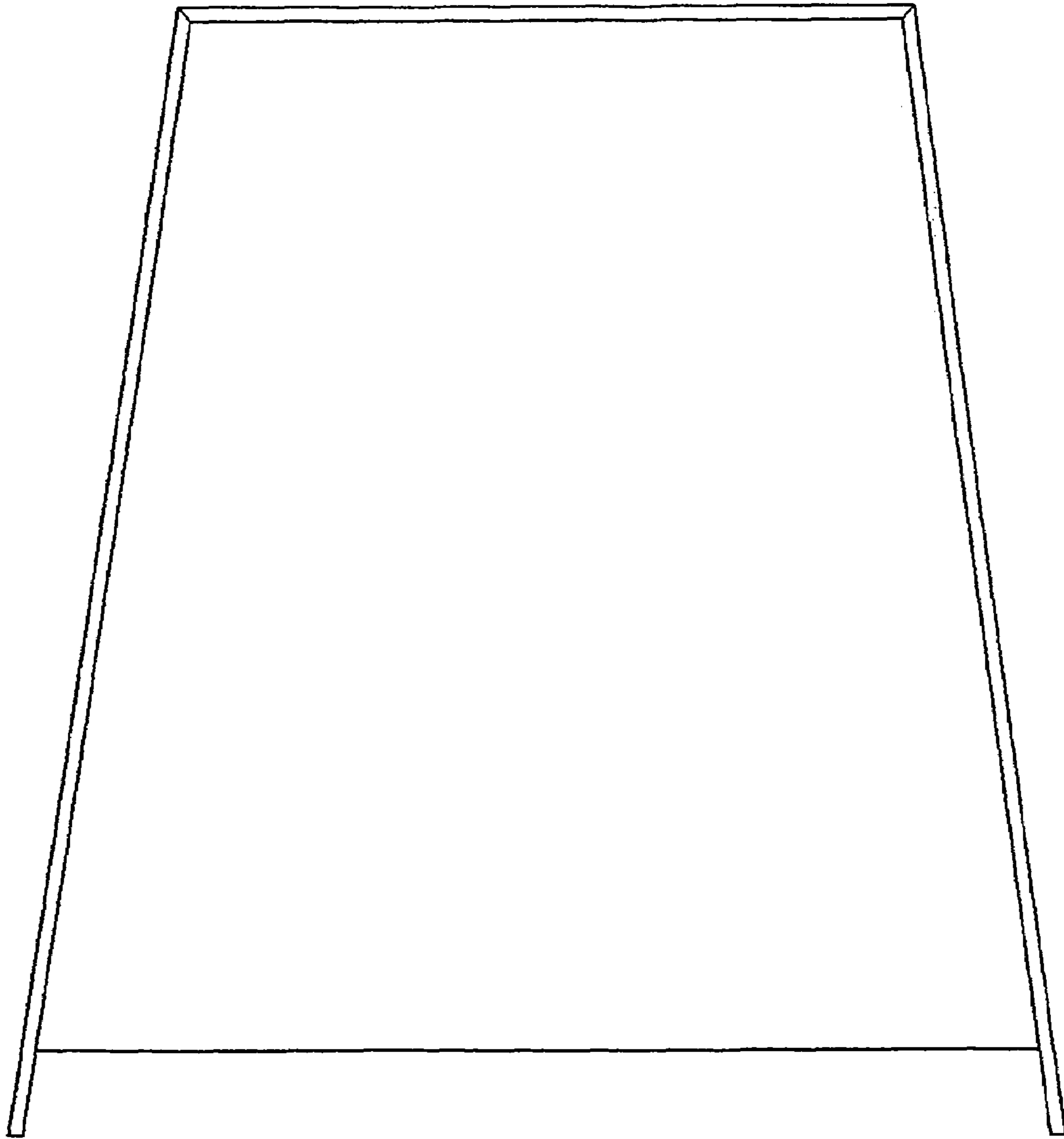


FIG. 1

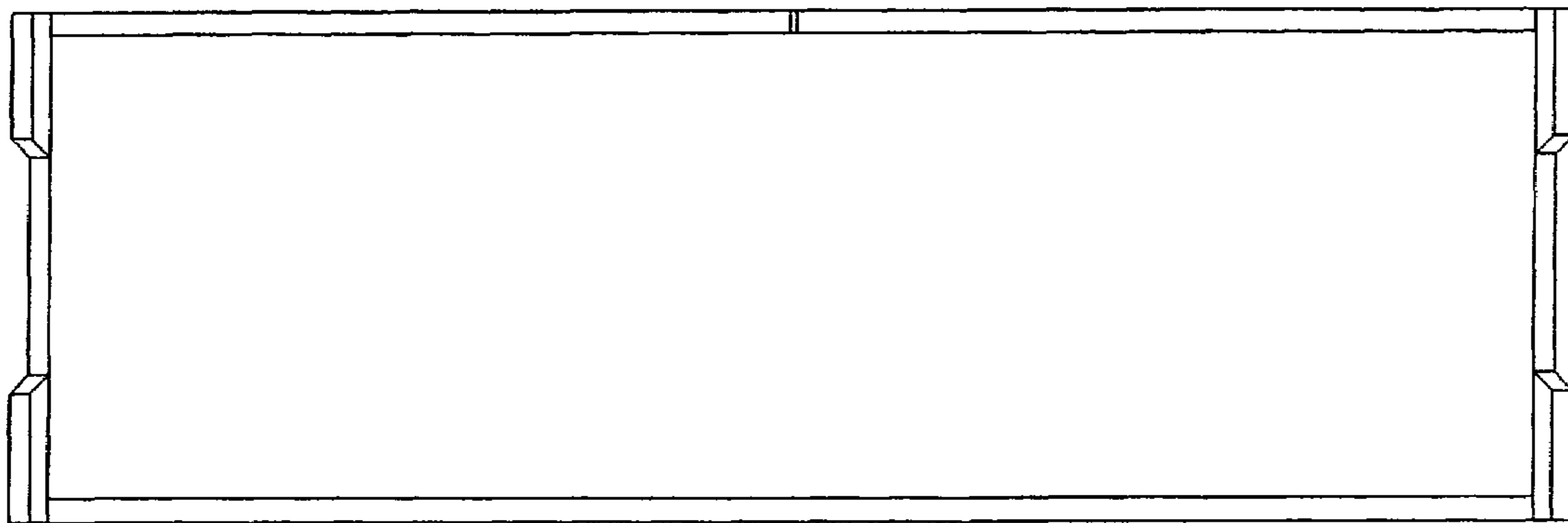


FIG. 2

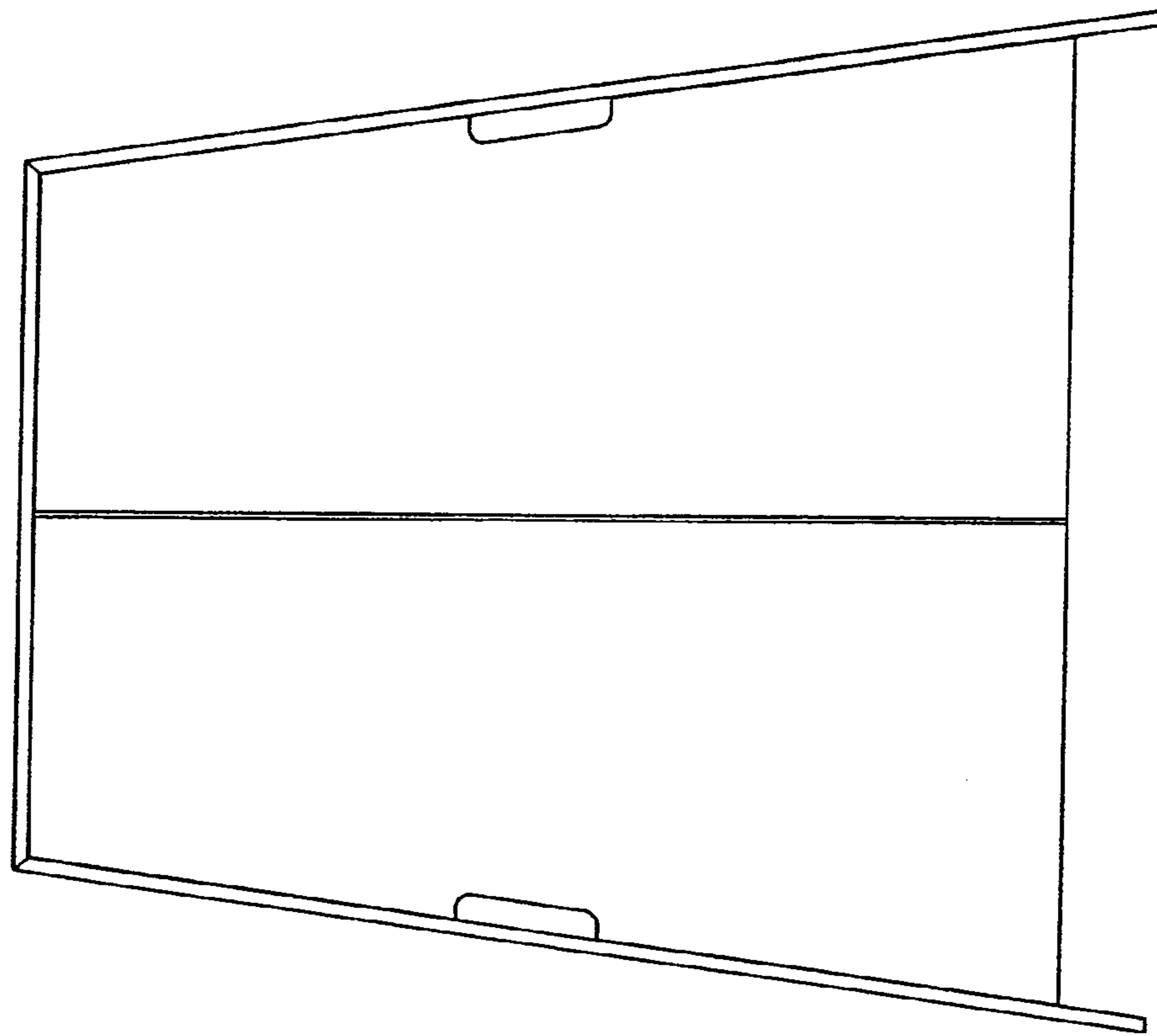


FIG. 3

FIG. 4

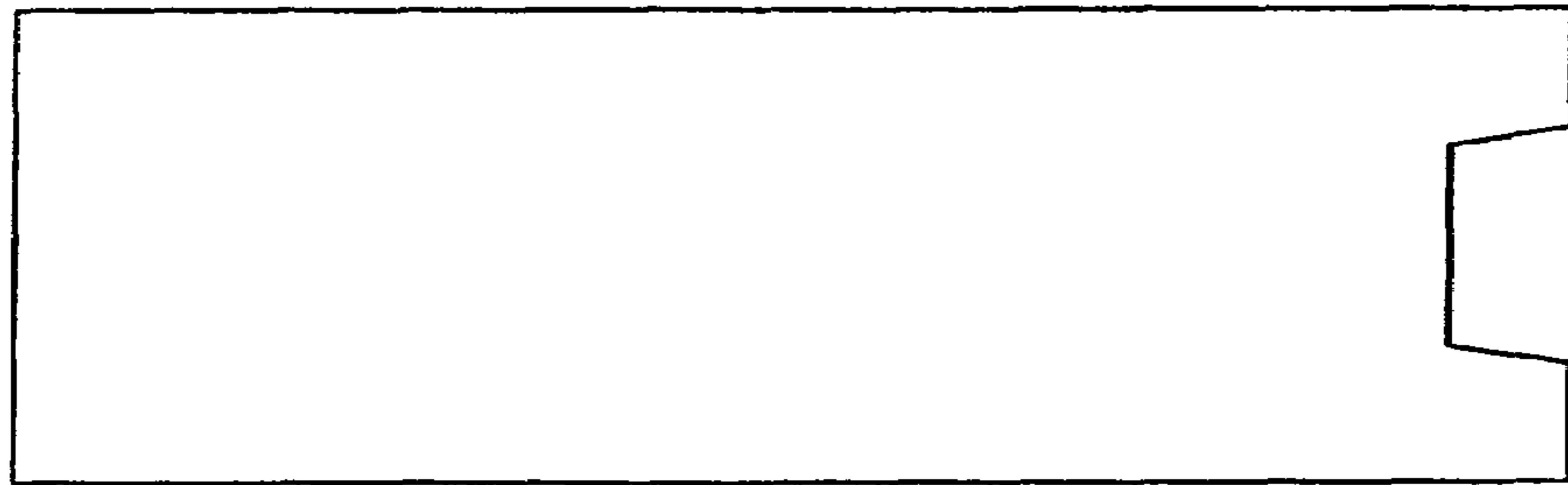


FIG. 5

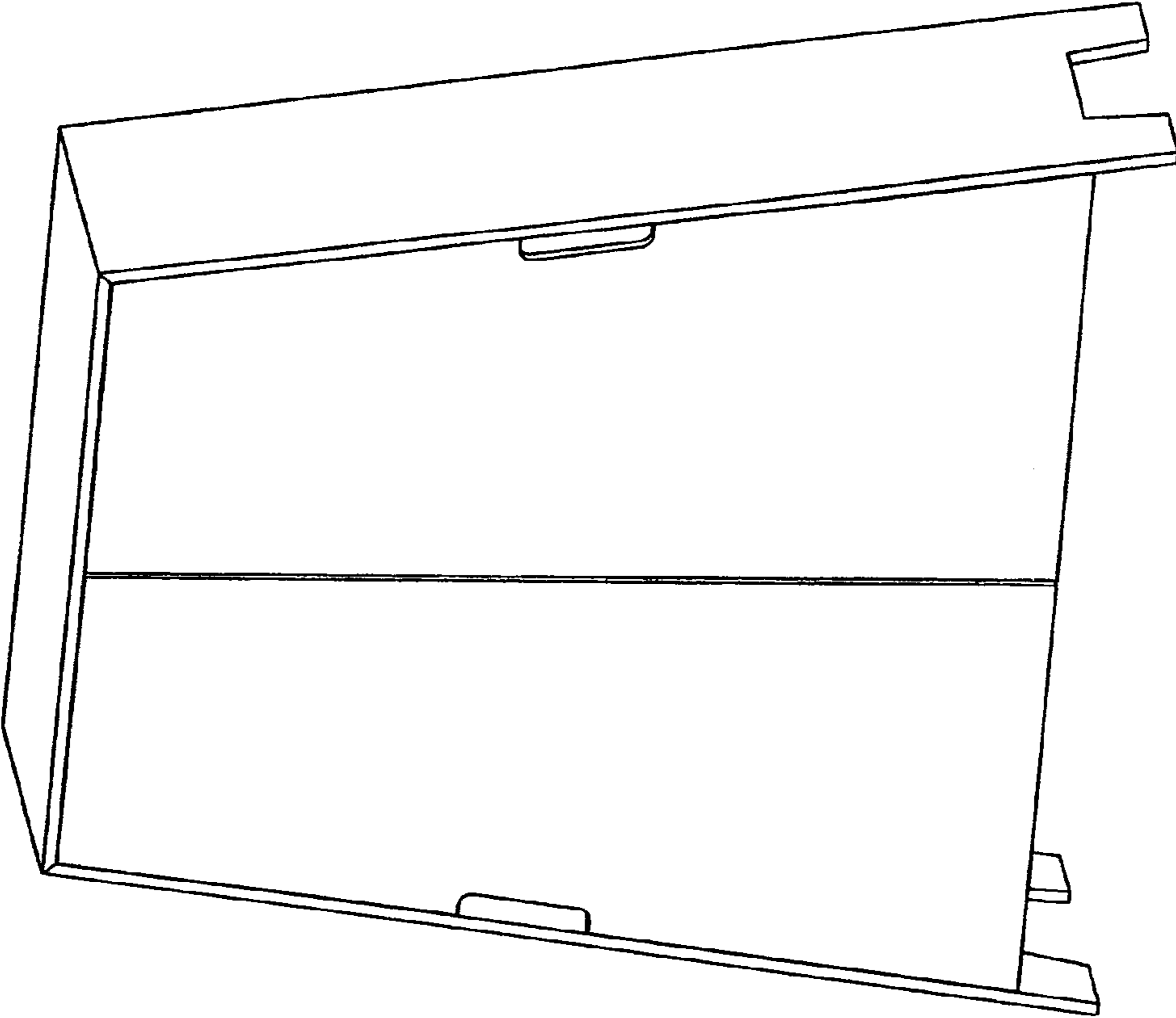
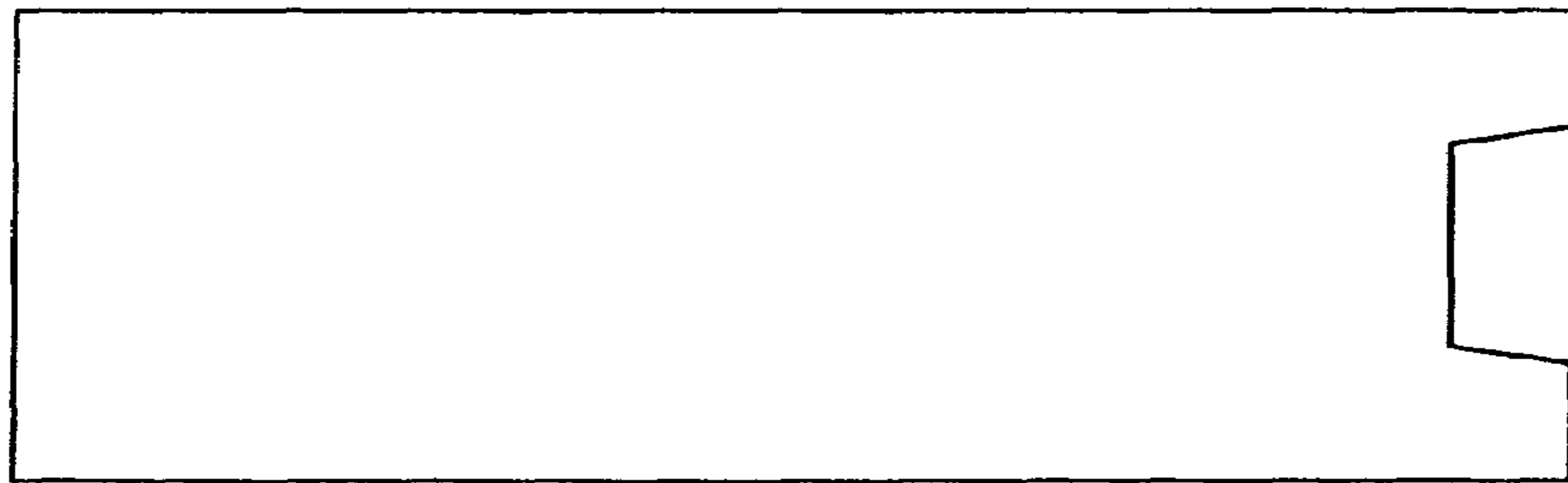


FIG. 6



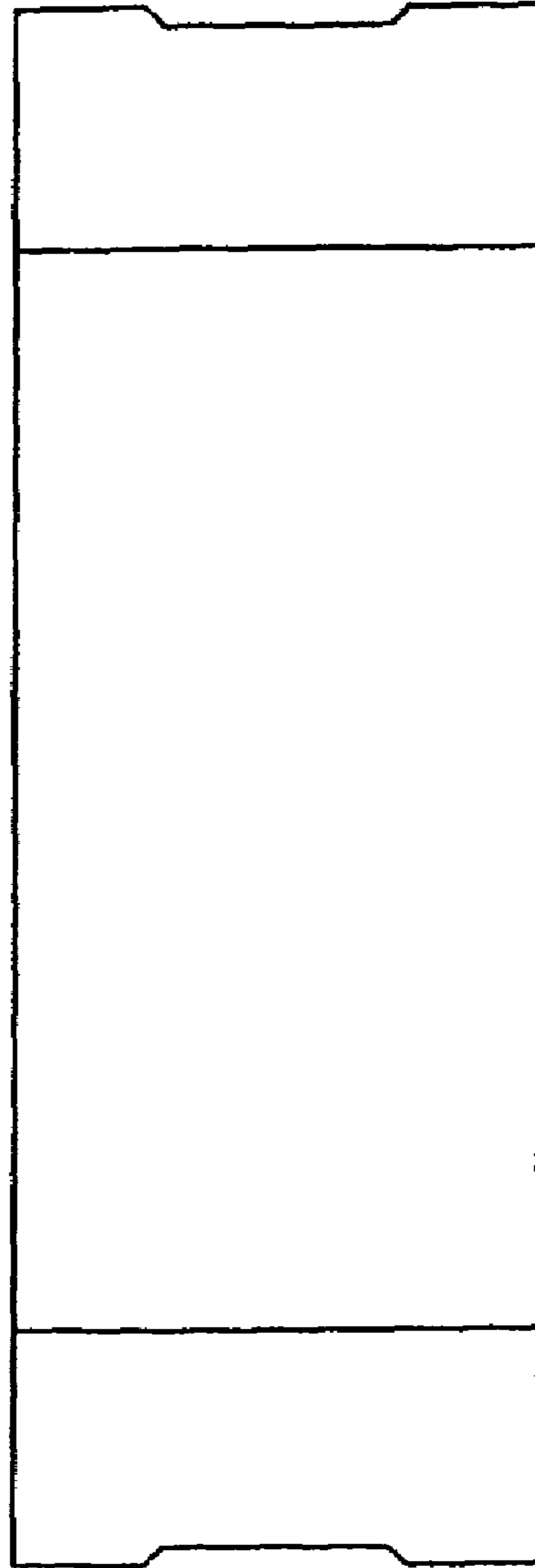


FIG. 7