



US00D611264S

(12) **United States Design Patent**  
**Igarashi**

(10) **Patent No.:** **US D611,264 S**  
(45) **Date of Patent:** **\*\* Mar. 9, 2010**

(54) **CHAIR**

(75) Inventor: **Ryou Igarashi**, Yokohama (JP)

(73) Assignee: **Okamura Corporation**, Kanagawa (JP)

(\*\*) Term: **14 Years**

(21) Appl. No.: **29/344,486**

(22) Filed: **Sep. 30, 2009**

(30) **Foreign Application Priority Data**

Mar. 31, 2009 (JP) ..... 2009-007304

(51) **LOC (9) Cl.** ..... **06-01**

(52) **U.S. Cl.** ..... **D6/366**

(58) **Field of Classification Search** ..... D6/334-336,  
D6/364, 365, 366, 367, 369, 379, 380, 498,  
D6/500-502; 297/391, 396, 408, 411.2,  
297/411.28, 411.35, 452.13, 452.21, 452.29,  
297/452.35

See application file for complete search history.

(56) **References Cited**

**U.S. PATENT DOCUMENTS**

D451,294 S \* 12/2001 Simons et al. .... D6/366  
D488,313 S \* 4/2004 Seiler ..... D6/366  
D505,799 S \* 6/2005 Huang ..... D6/366  
D523,252 S \* 6/2006 Rodriguez Leitao ..... D6/366

D528,810 S \* 9/2006 Giugiaro ..... D6/366  
D543,039 S \* 5/2007 Hara ..... D6/366  
D543,040 S \* 5/2007 Hara ..... D6/366  
D543,042 S \* 5/2007 Hara ..... D6/366  
D605,865 S 12/2009 Igarashi

\* cited by examiner

*Primary Examiner*—Mimosa De

(74) *Attorney, Agent, or Firm*—Sughrue Mion, PLLC

(57) **CLAIM**

The ornamental design for a chair, as shown and described.

**DESCRIPTION**

FIG. 1 is a perspective view from the front side of a chair.

FIG. 2 is a perspective view from the rear side thereof.

FIG. 3 is a front elevation view thereof.

FIG. 4 is a right side elevation view thereof. A left side elevation view is omitted because it is symmetrical to the right side elevation view.

FIG. 5 is a top plan view thereof.

FIG. 6 is a rear elevation view thereof.

FIG. 7 is a bottom plan view thereof; and,

FIG. 8 is a right side elevation view thereof when the seat is reclined.

**1 Claim, 8 Drawing Sheets**

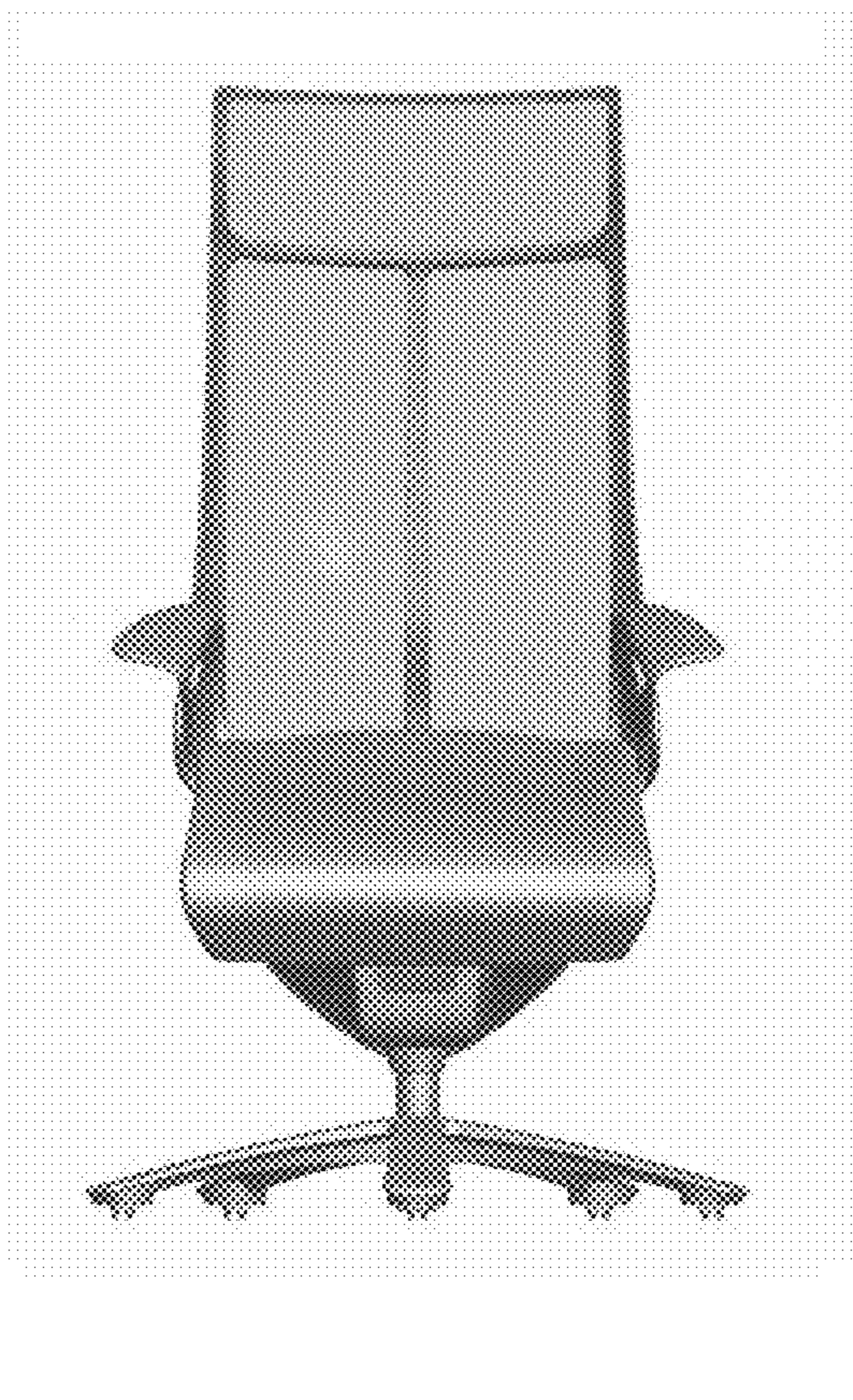
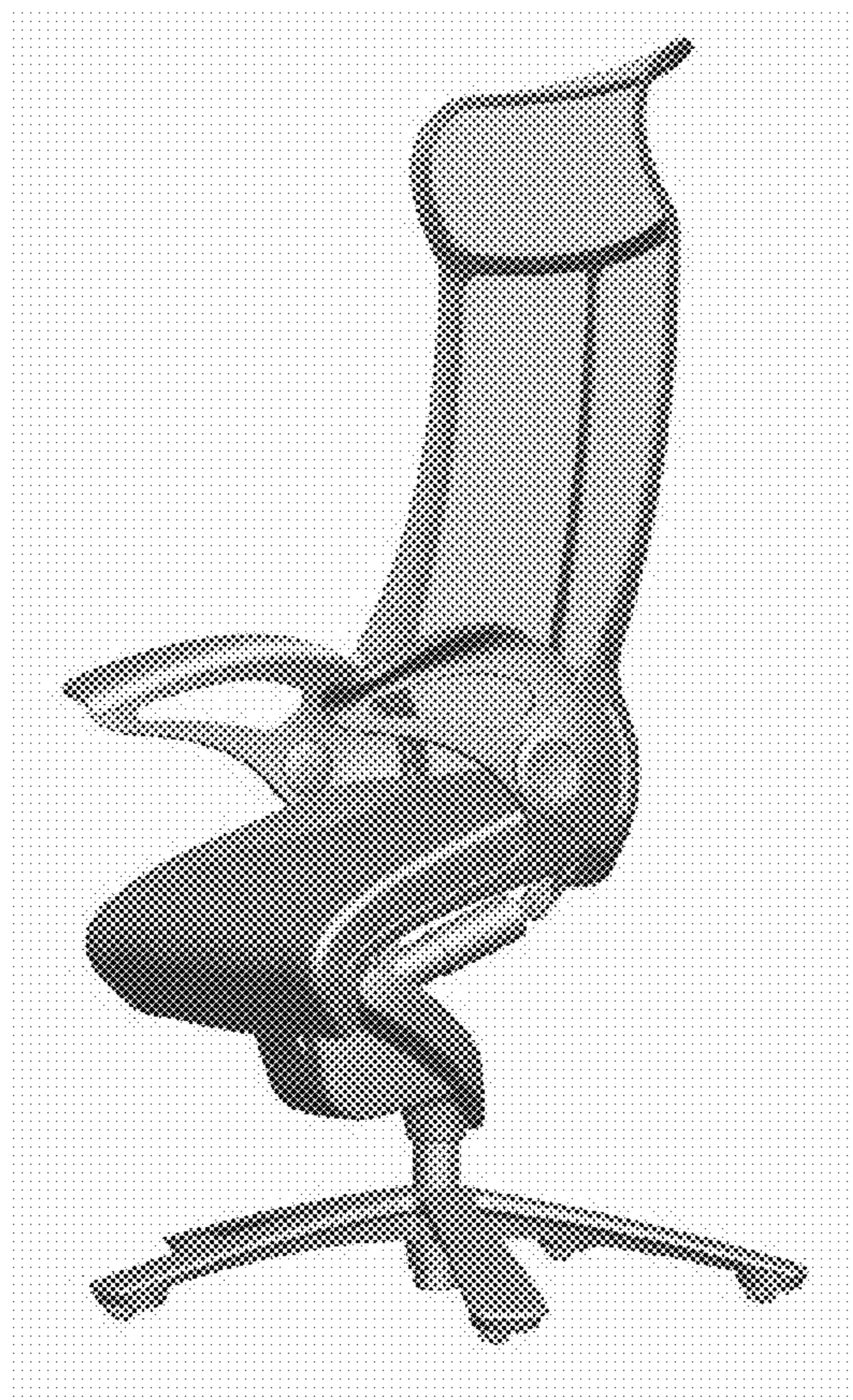




FIG. 1

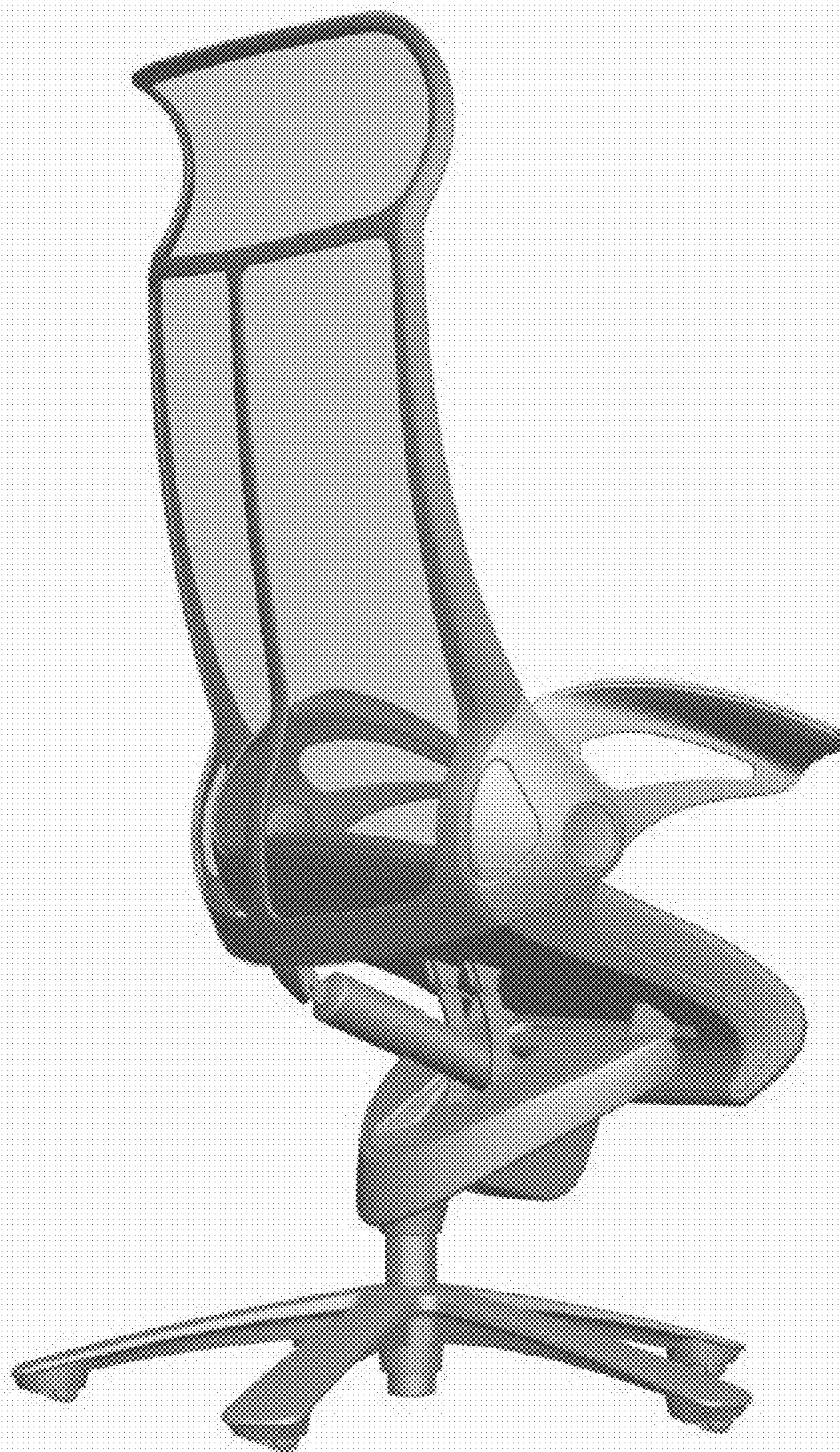


FIG.2

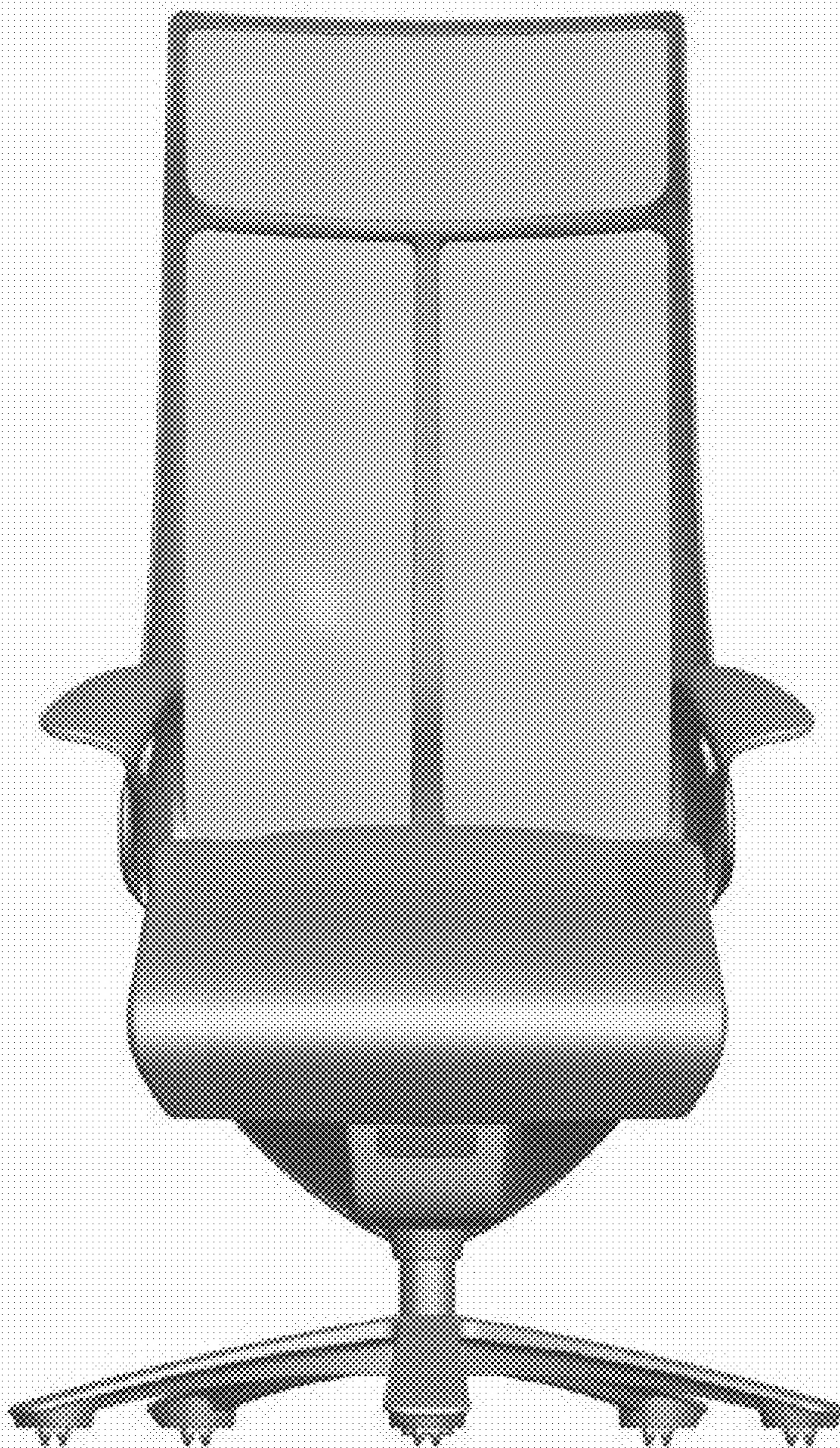


FIG. 3

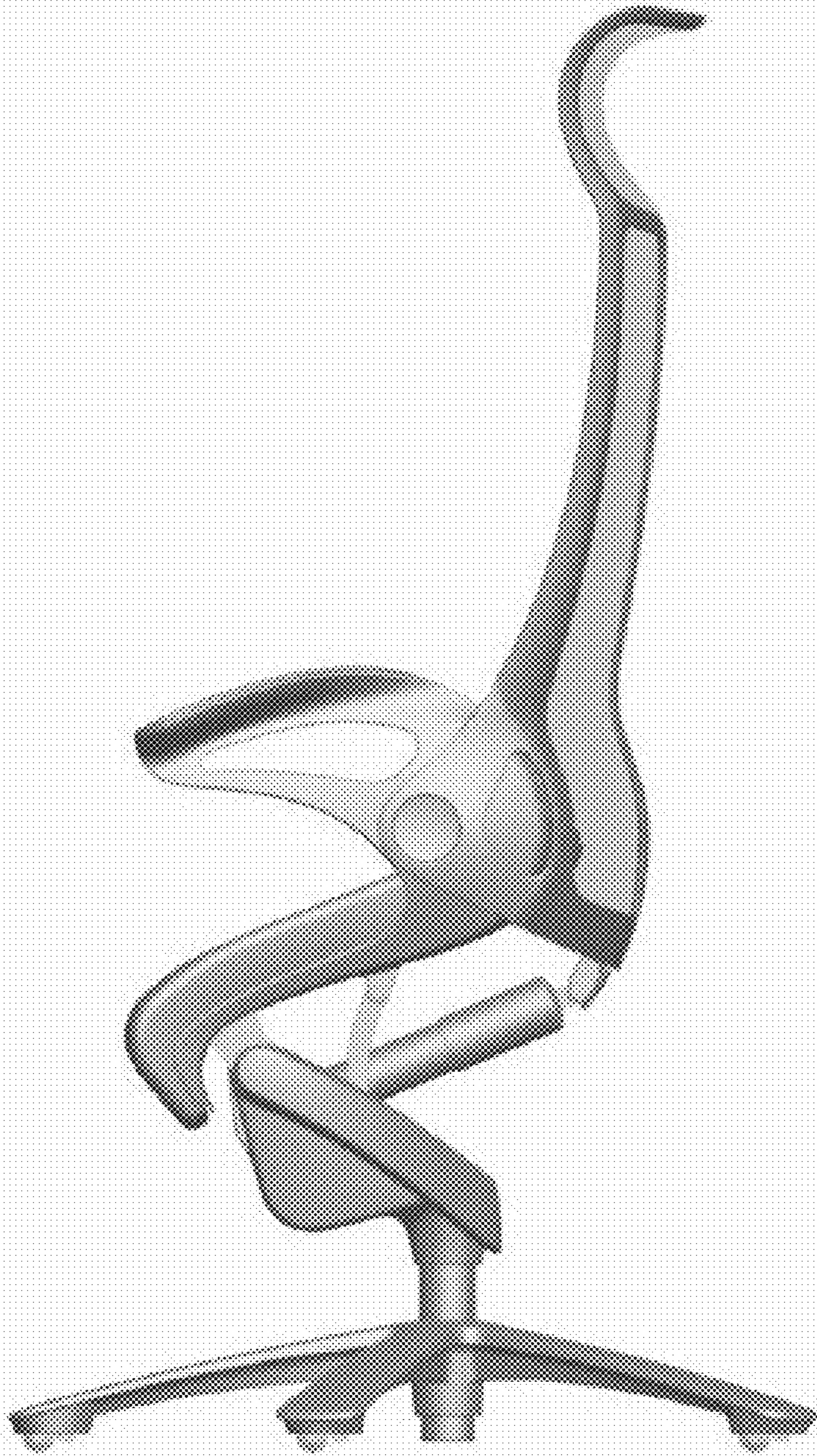


FIG. 4

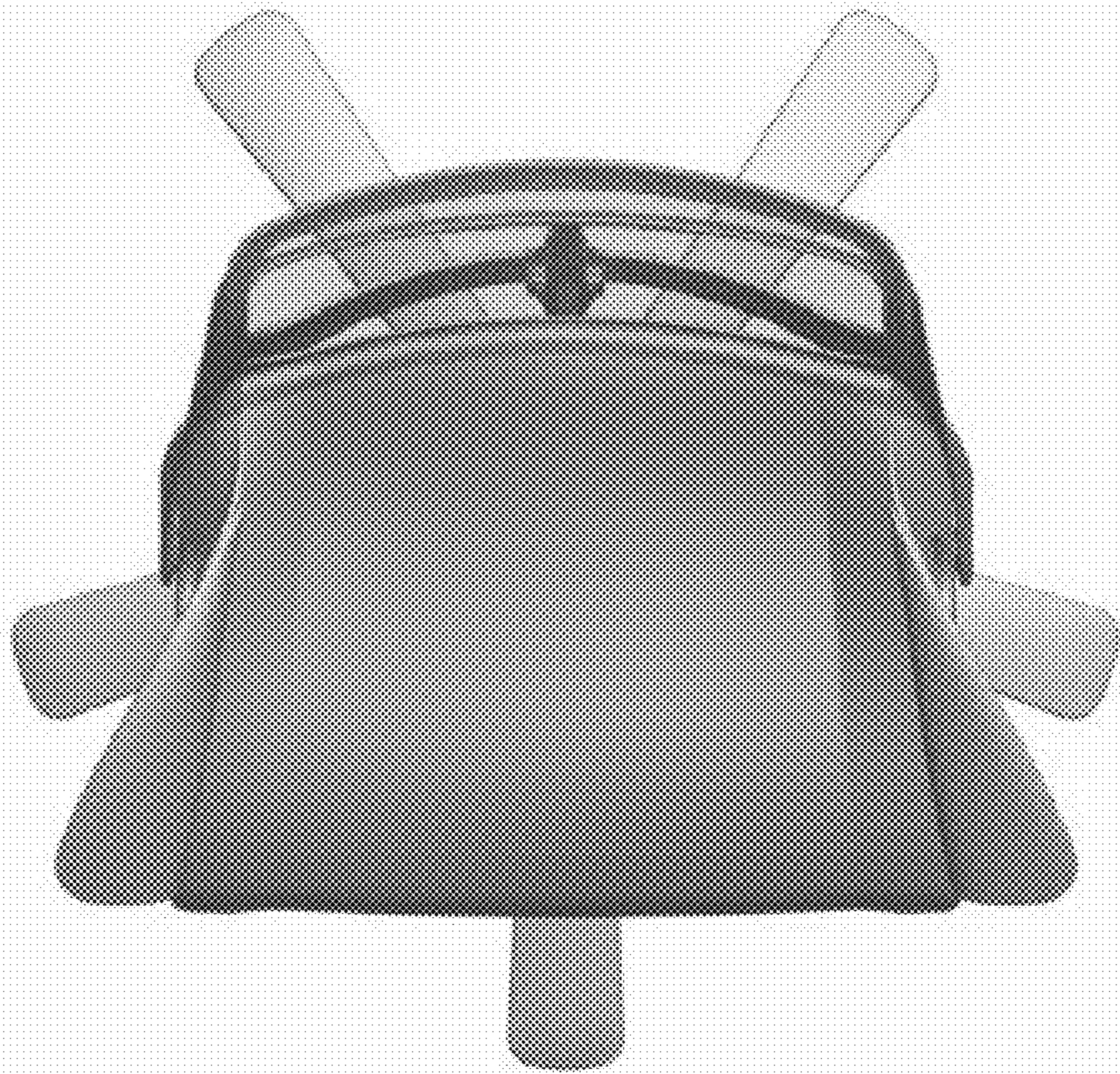


FIG. 5

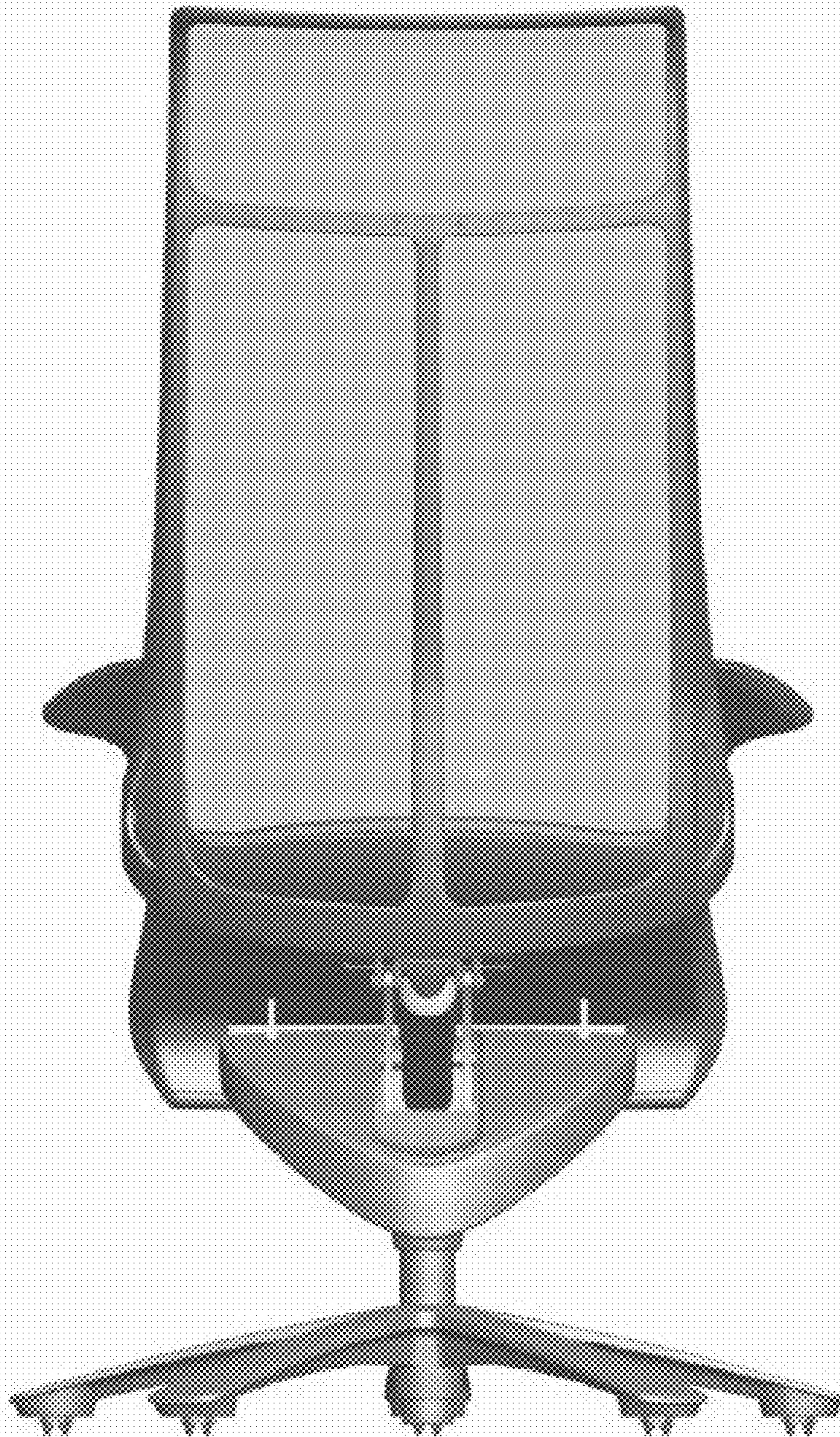


FIG. 6

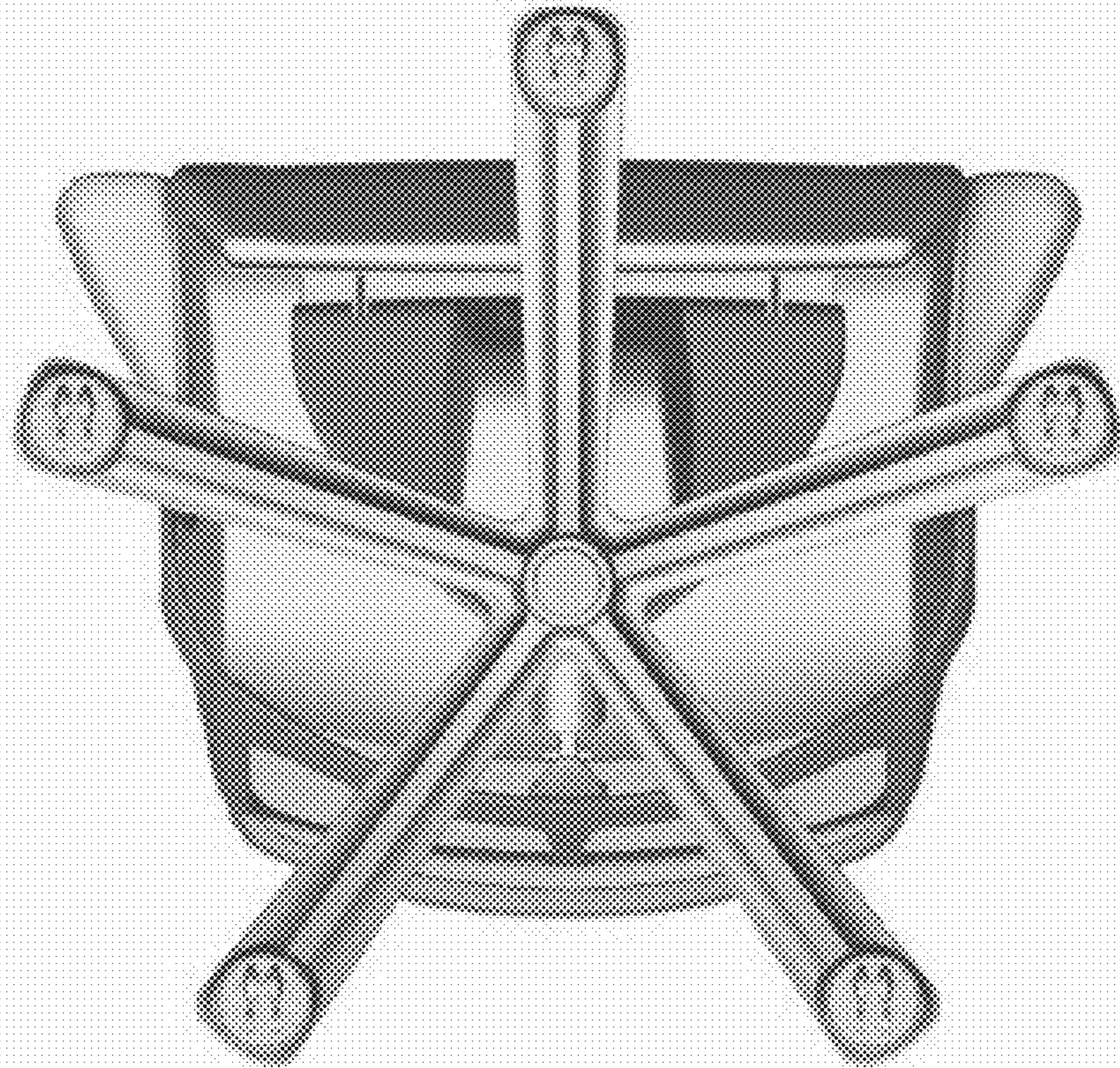


FIG. 7





FIG. 8