

US00D611262S

(12) **United States Design Patent**
Grcic

(10) **Patent No.:** **US D611,262 S**
(45) **Date of Patent:** **** Mar. 9, 2010**

(54) **CHAIR**

(75) Inventor: **Konstantin Grcic**, Munich (DE)

(73) Assignee: **MAGIS S.p.A.**, Treviso (IT)

(**) Term: **14 Years**

(21) Appl. No.: **29/311,890**

(22) Filed: **Jul. 24, 2009**

(30) **Foreign Application Priority Data**

Mar. 25, 2009 (EM) 001111728-1

(51) **LOC (9) Cl.** **06-01**

(52) **U.S. Cl.** **D6/366**

(58) **Field of Classification Search** D6/334-336,
D6/360, 364, 365, 366, 367, 379, 380, 498,
D6/500-502; 297/344.12, 353, 411.36, 423.1,
297/423.38, 452.19, 452.3

See application file for complete search history.

(56) **References Cited**

U.S. PATENT DOCUMENTS

D76,151 S * 8/1928 Racz D6/366

D273,729 S * 5/1984 Pelly et al. D6/366

D274,958 S * 8/1984 Aronowitz et al. D6/360
5,009,467 A * 4/1991 McCoy 297/411.36
D395,173 S * 6/1998 Pate D6/366
D495,508 S * 9/2004 Summers D6/366
D515,831 S * 2/2006 Hosoe D6/360
7,104,606 B2 * 9/2006 Congleton et al. 297/353
D577,229 S * 9/2008 Haaksma D6/500

* cited by examiner

Primary Examiner—Mimosa De

(74) *Attorney, Agent, or Firm*—Hoffman, Wasson & Gitler,
P.C.

(57) **CLAIM**

The ornamental design for a chair, as shown, and described.

DESCRIPTION

FIG. 1 is a perspective view of the chair;

FIG. 2 is a front view of the chair;

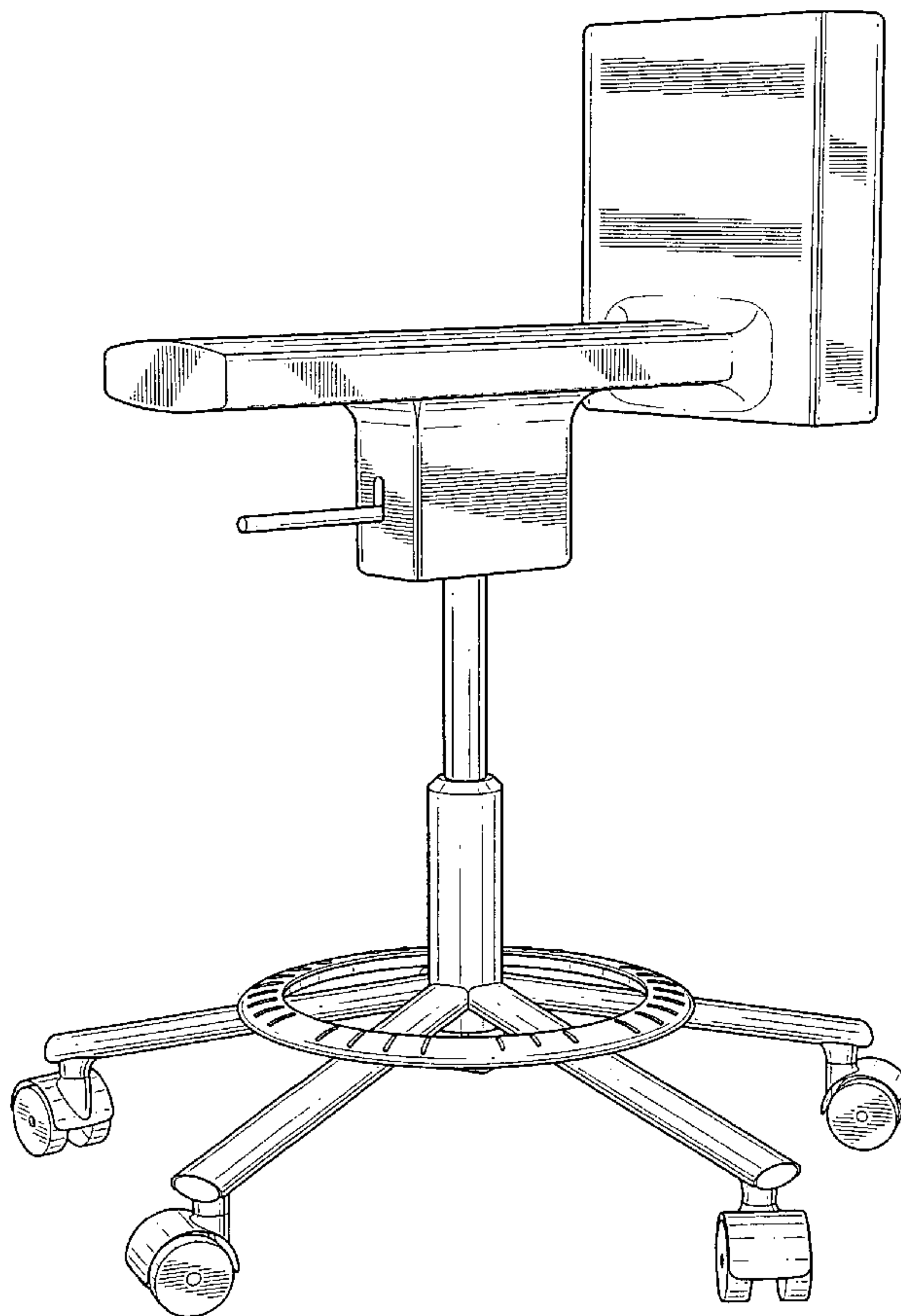
FIG. 3 is a rear view of the chair;

FIG. 4 is a right side view of the chair; the opposite sides of the
chair being identical;

FIG. 5 is a top view of the chair; and,

FIG. 6 is a bottom view of the chair.

1 Claim, 6 Drawing Sheets



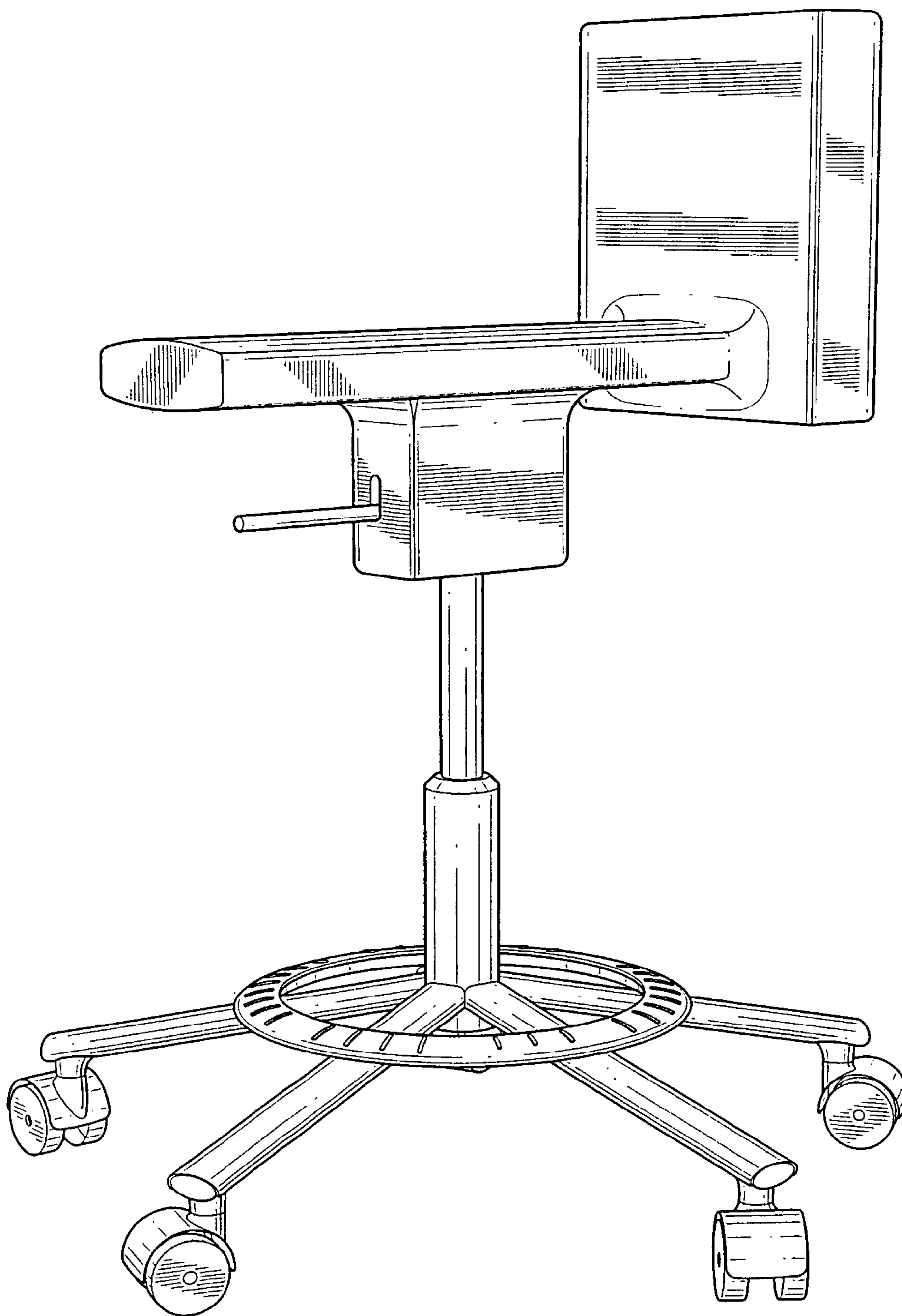


FIG. 1

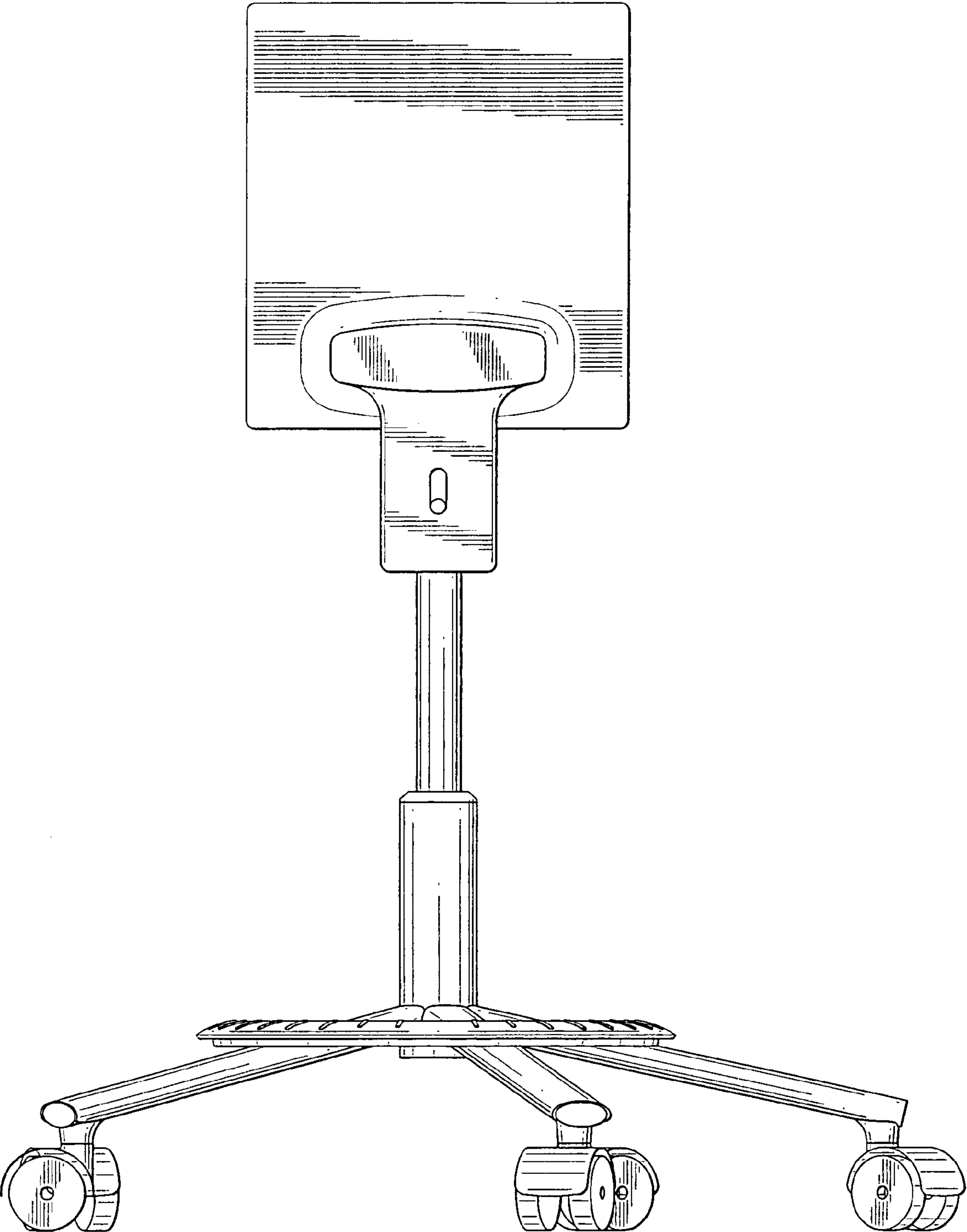


FIG. 2

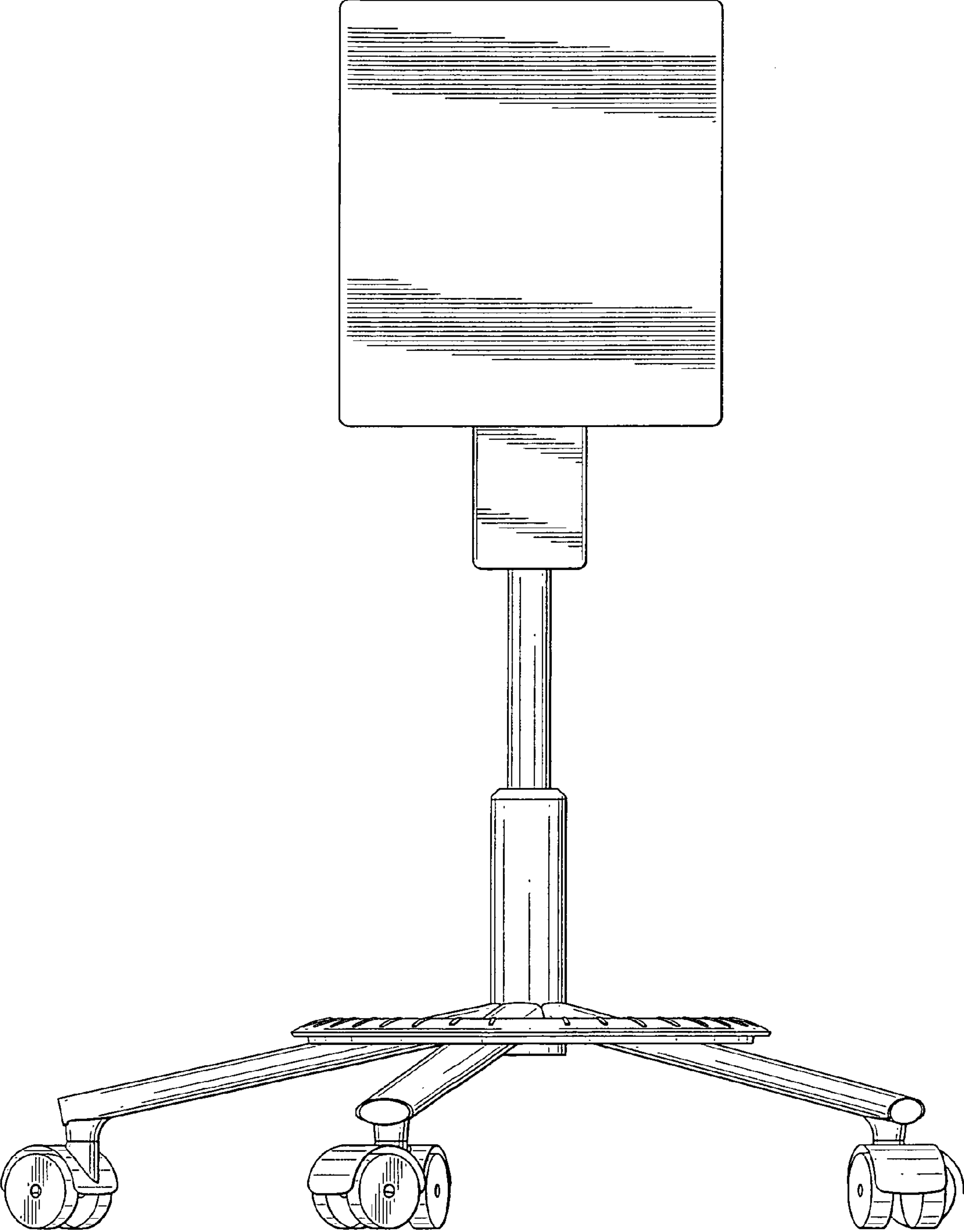


FIG. 3

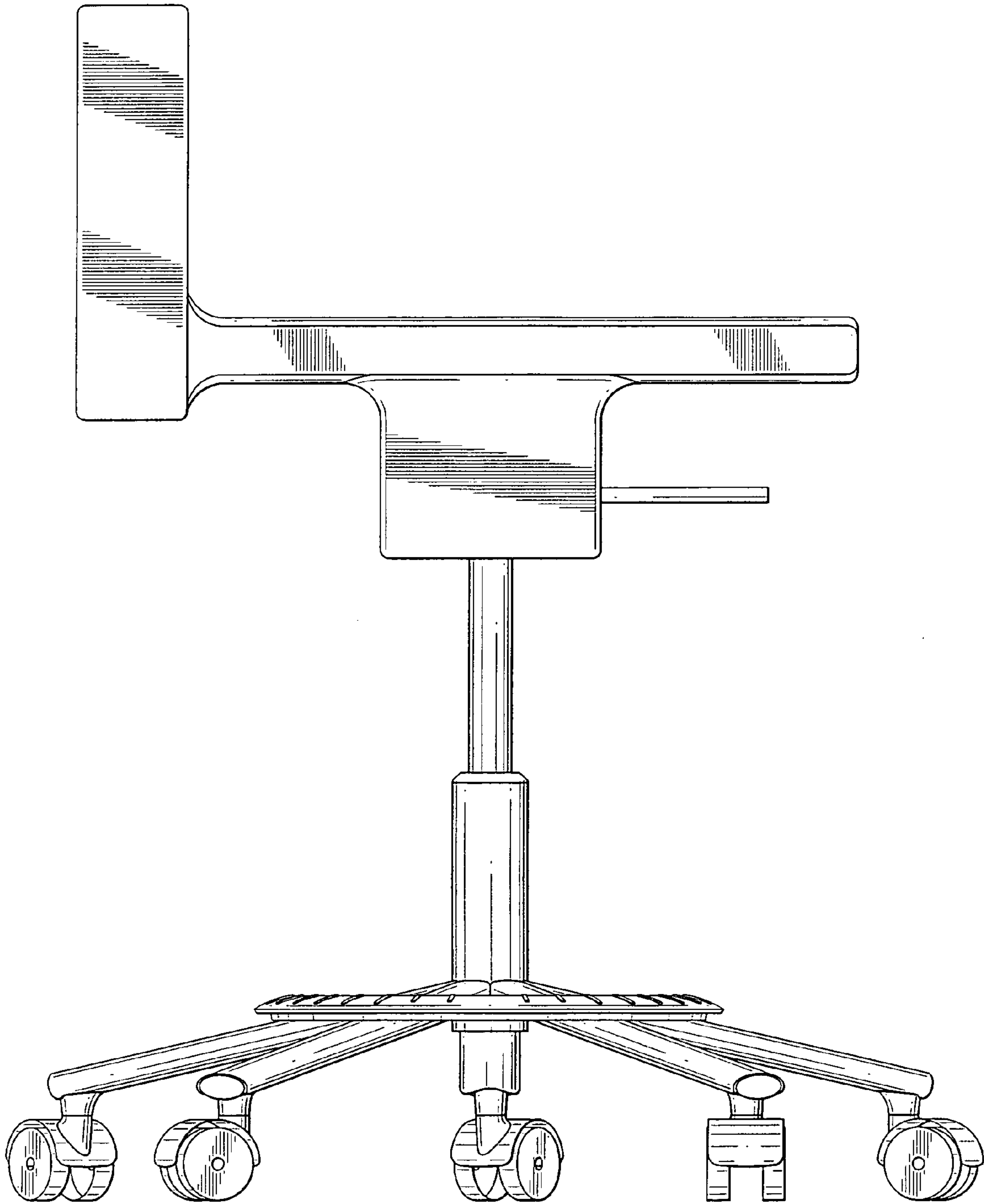


FIG. 4

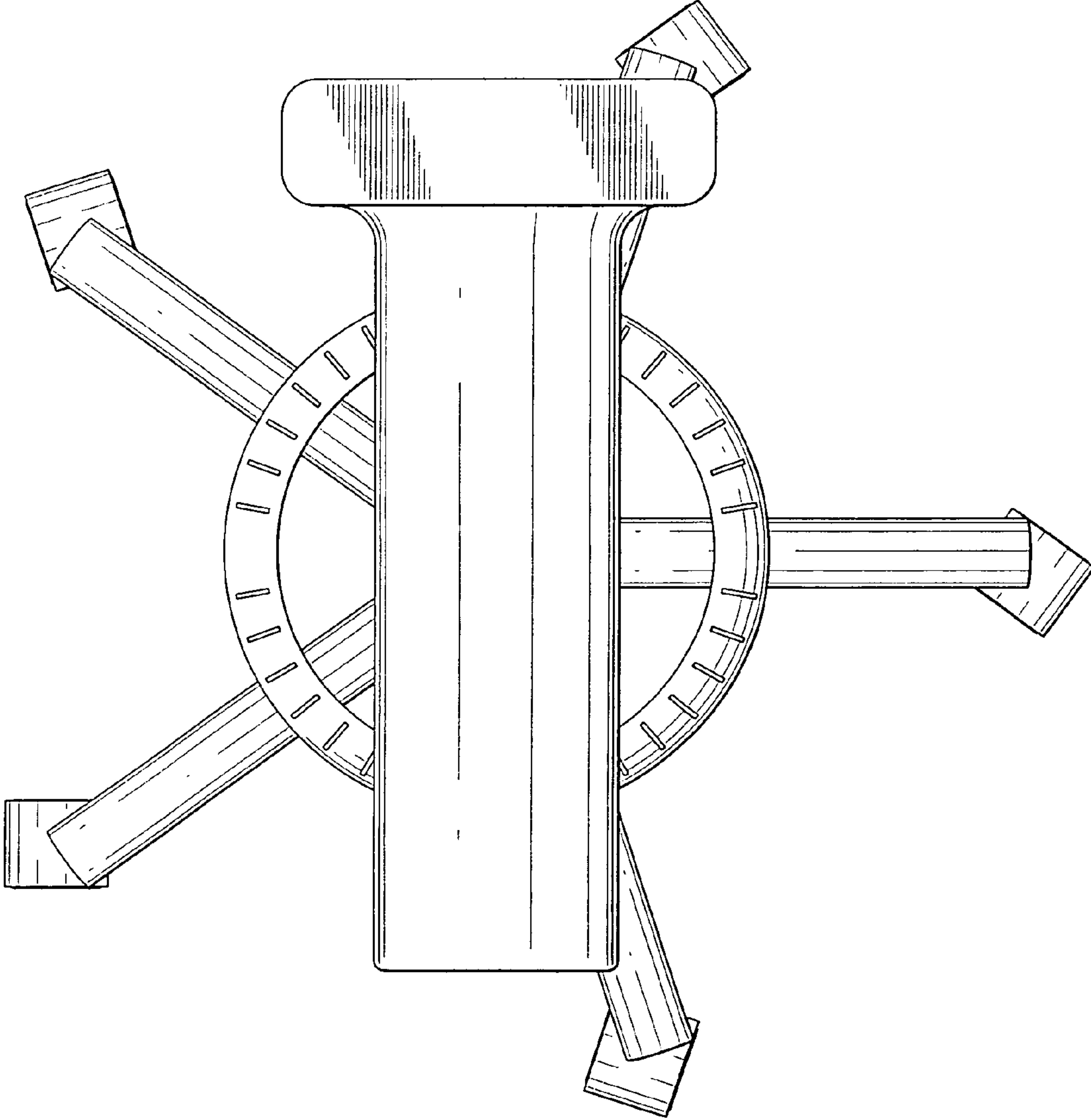


FIG.5

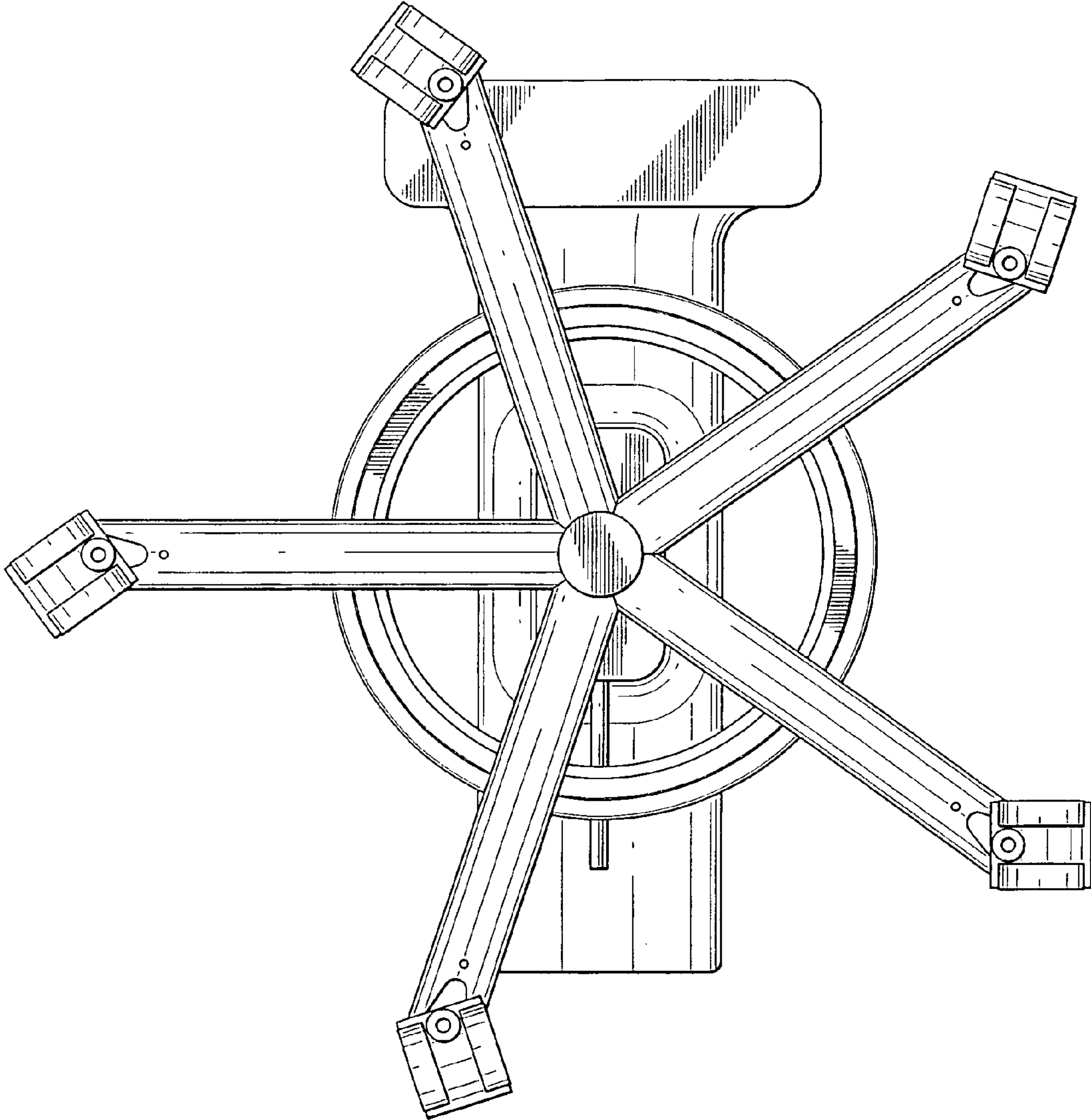


FIG.6