



US00D611257S

(12) **United States Design Patent**
Jacobs et al.

(10) **Patent No.:** **US D611,257 S**
(45) **Date of Patent:** **** Mar. 9, 2010**

(54) **SWING CHAIR**

(75) Inventors: **Imre Peter Jacobs**, Utrecht (NL);
Therese Johansson, Amsterdam (NL);
Erik Baas, Utrecht (NL); **Thomas van der Schoor**, Amsterdam (NL); **Eric Biermann**, Leiden (NL)

(73) Assignee: **Nuna International B.V.**, Amsterdam
Zuldoost (NL)

(**) Term: **14 Years**

(21) Appl. No.: **29/313,037**

(22) Filed: **Dec. 2, 2008**

(51) **LOC (9) Cl.** **06-01**

(52) **U.S. Cl.** **D6/333**

(58) **Field of Classification Search** D6/333,
D6/335, 339, 491, 500–502; D12/129; D21/412,
D21/419; 280/30, 31; 5/94, 98.1, 99.1, 101,
5/102, 105, 655; 297/183.1, 183.2, 183.3,
297/183.4, 184.13, 184.15, 184.17, 250.1,
297/255, 256.1, 256.15, 256.16; 24/200,
24/211

See application file for complete search history.

(56) **References Cited**

U.S. PATENT DOCUMENTS

2,586,262 A * 2/1952 Robins 5/120
2,848,040 A * 8/1958 Chernivsky 297/296
4,188,678 A * 2/1980 Rawolle 5/105
4,293,162 A * 10/1981 Pap et al. 297/184.15
4,553,786 A * 11/1985 Lockett et al. 297/440.1
D282,791 S * 3/1986 Lockett et al. D6/333
4,583,779 A * 4/1986 Myers 297/184.13
D288,757 S * 3/1987 Hoeckel D9/491
D297,685 S * 9/1988 Wilson D6/348
D321,599 S * 11/1991 Takahashi et al. D6/333
5,187,826 A * 2/1993 Mariol 5/655
D337,894 S * 8/1993 Mariol D6/333

D343,958 S * 2/1994 Greenwood D6/333
5,360,258 A * 11/1994 Alivizatos 297/440.11
5,460,430 A * 10/1995 Miga et al. 297/452.13
5,503,458 A * 4/1996 Petrie 297/452.13
D429,923 S * 8/2000 Meglino et al. D6/491
D440,412 S * 4/2001 Huang D6/333
D447,879 S * 9/2001 Hsia D6/333
6,341,816 B1 * 1/2002 Chen et al. 297/16.1
D468,544 S * 1/2003 Myers D6/334
6,592,425 B2 * 7/2003 Bapst et al. 446/227
6,594,840 B2 * 7/2003 Tomas et al. 5/655
D478,220 S * 8/2003 Chang D6/348
D492,851 S * 7/2004 Kane D6/333
6,869,368 B1 * 3/2005 Clarke et al. 472/29
D518,967 S * 4/2006 Canna et al. D6/333
D560,374 S * 1/2008 Bergkvist D6/333
D581,323 S * 11/2008 Toussaint D12/129

* cited by examiner

Primary Examiner—Sandra Snapp

(74) *Attorney, Agent, or Firm*—David N. Lathrop

(57) **CLAIM**

The ornamental design for swing chair, as shown and described.

DESCRIPTION

FIG. 1 is a perspective view of swing chair showing my new design;

FIG. 2 is a front elevational view thereof;

FIG. 3 is a rear elevational view thereof;

FIG. 4 is a left side elevational view thereof;

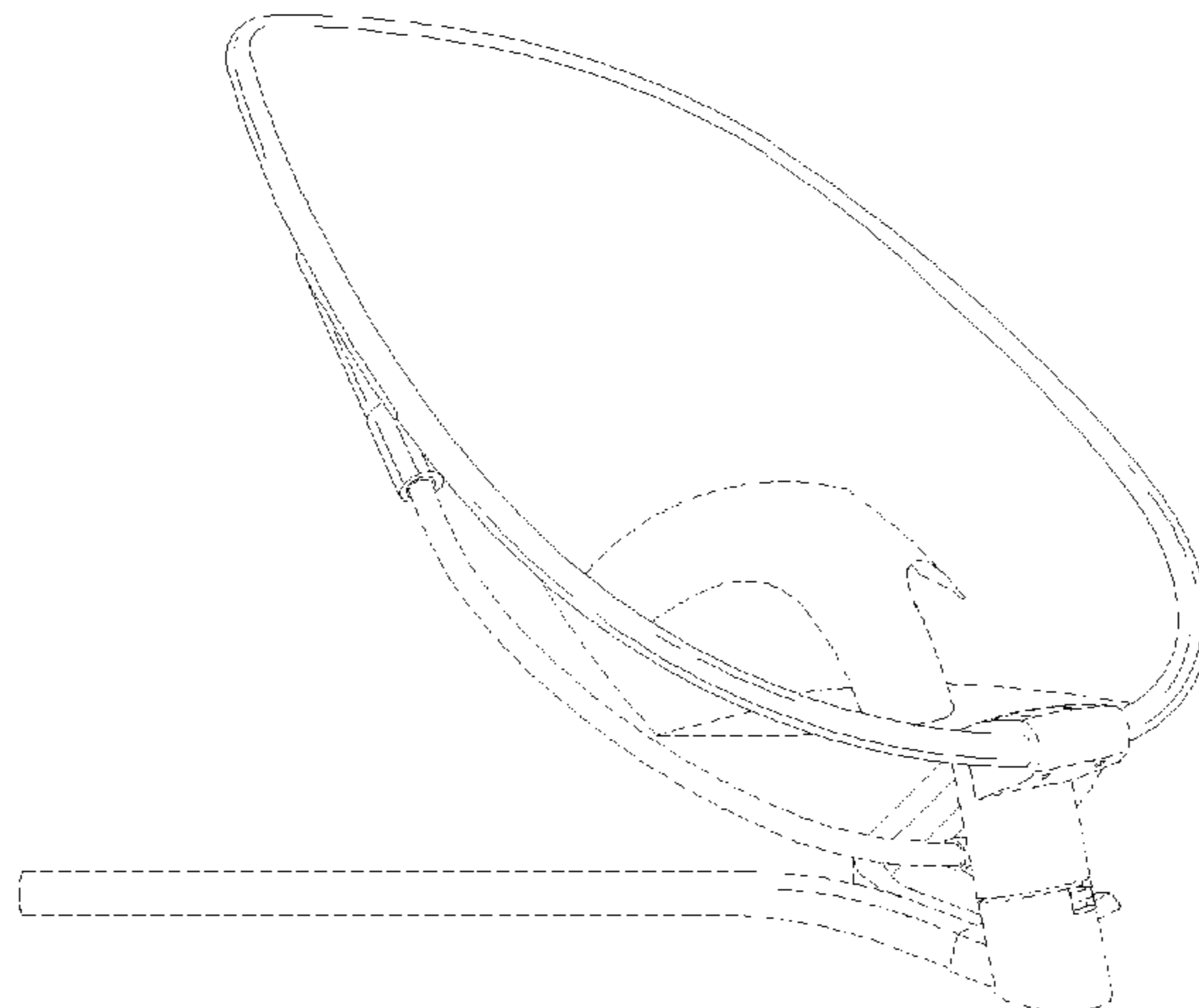
FIG. 5 is a right side elevational view thereof;

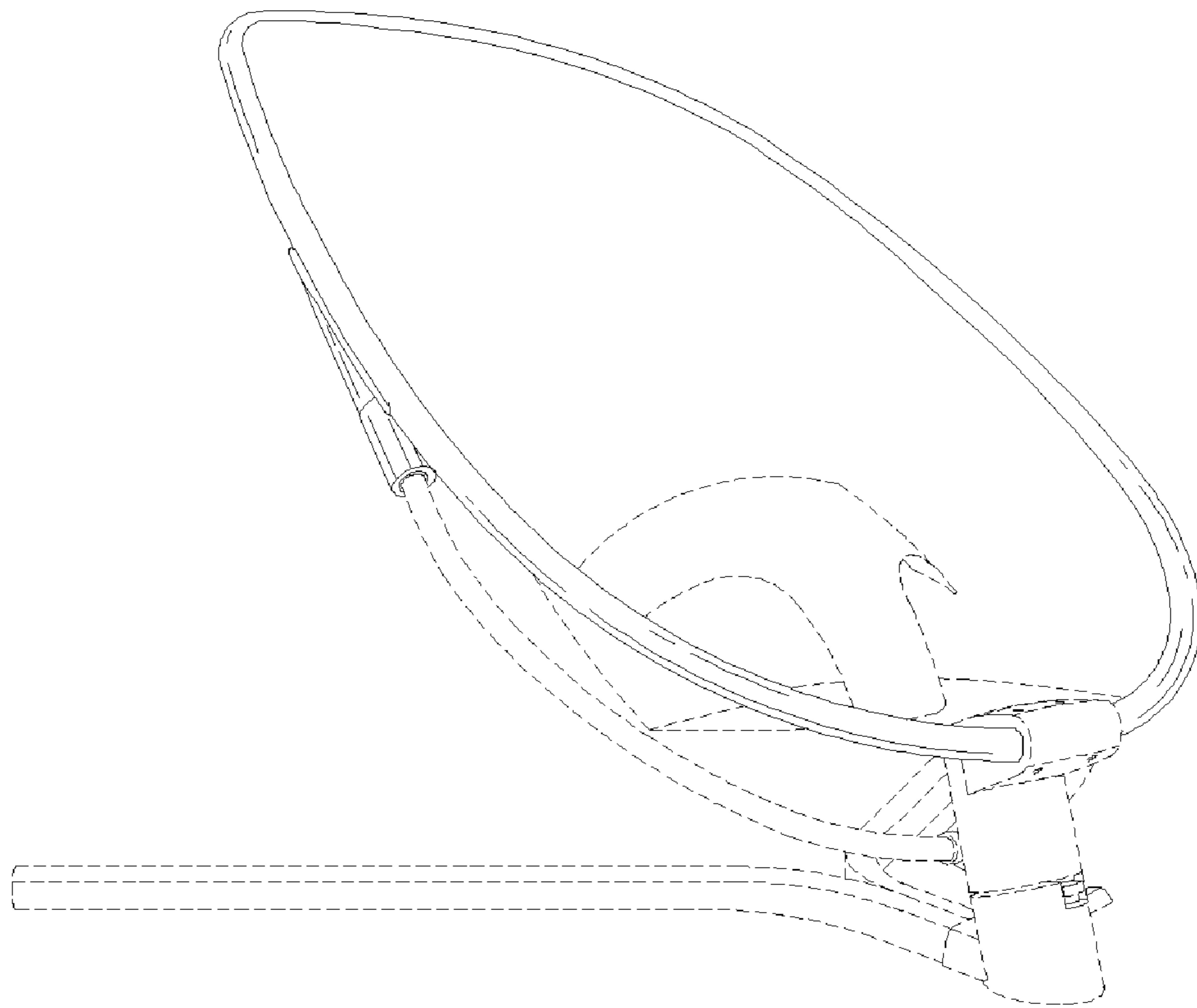
FIG. 6 is a top plan view thereof; and,

FIG. 7 is a bottom plan view thereof.

The broken lines shown in the drawings are for illustrative purposes only and form no part of the claimed design.

1 Claim, 5 Drawing Sheets





F I G. 1

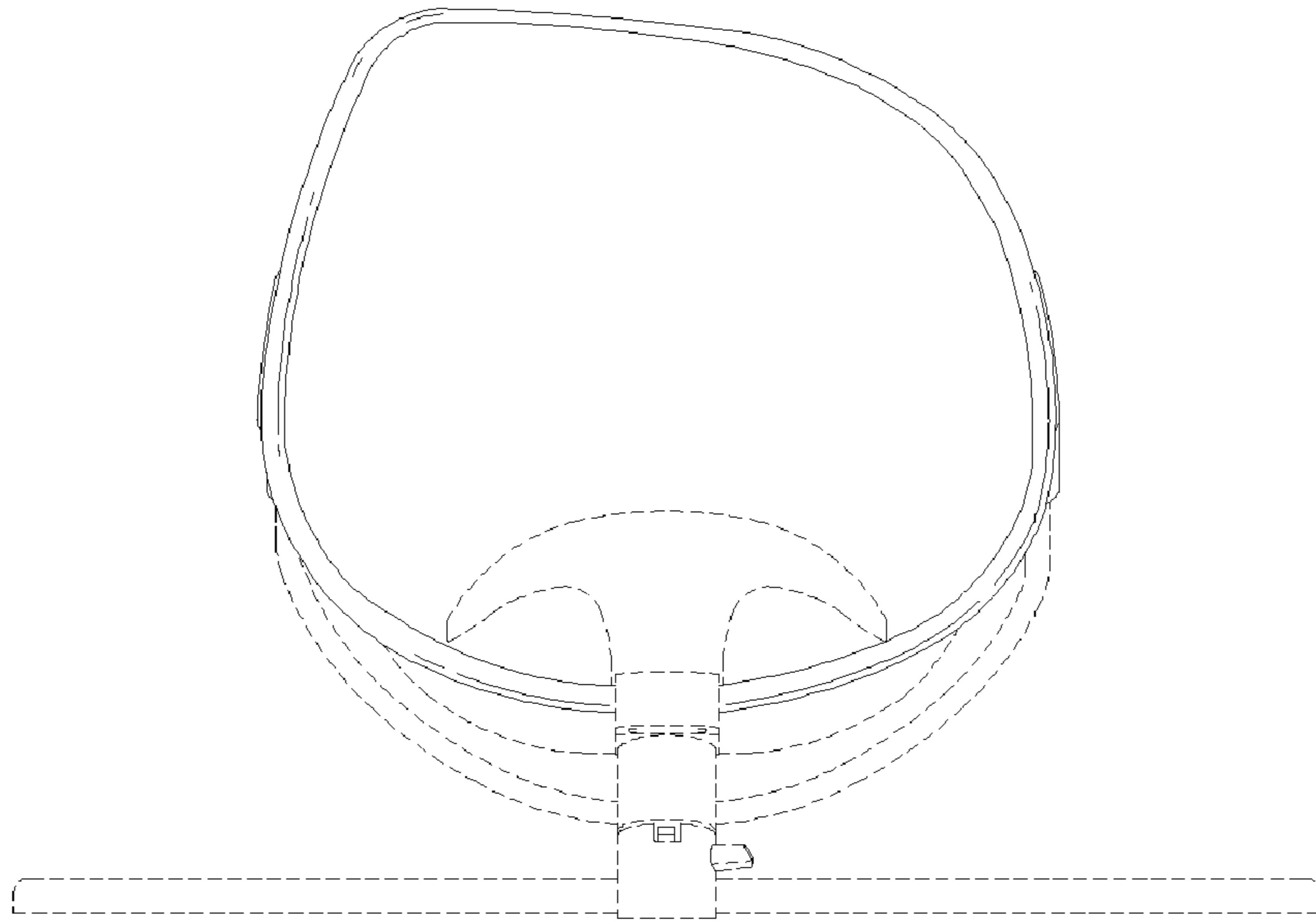


FIG. 2

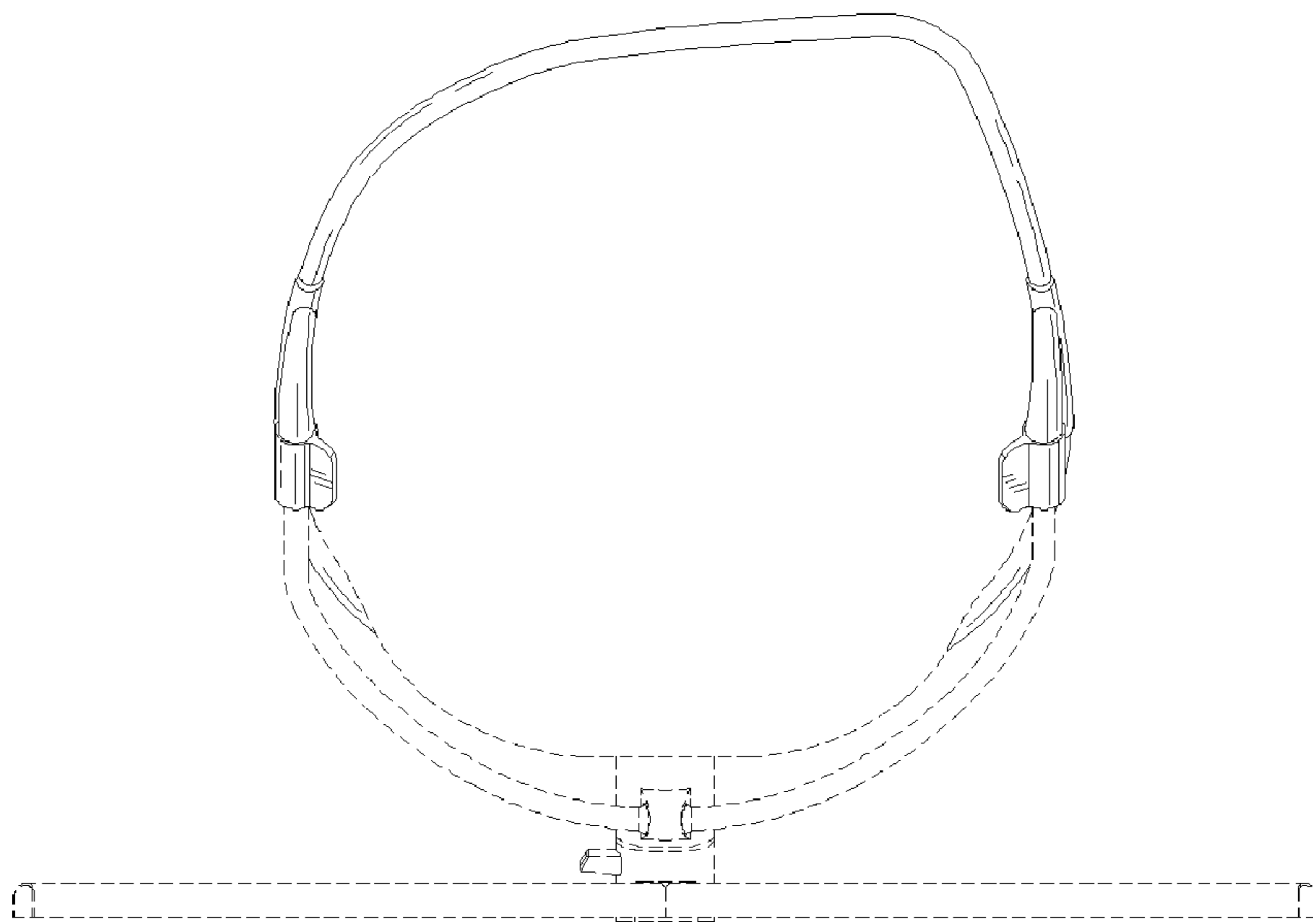


FIG. 3

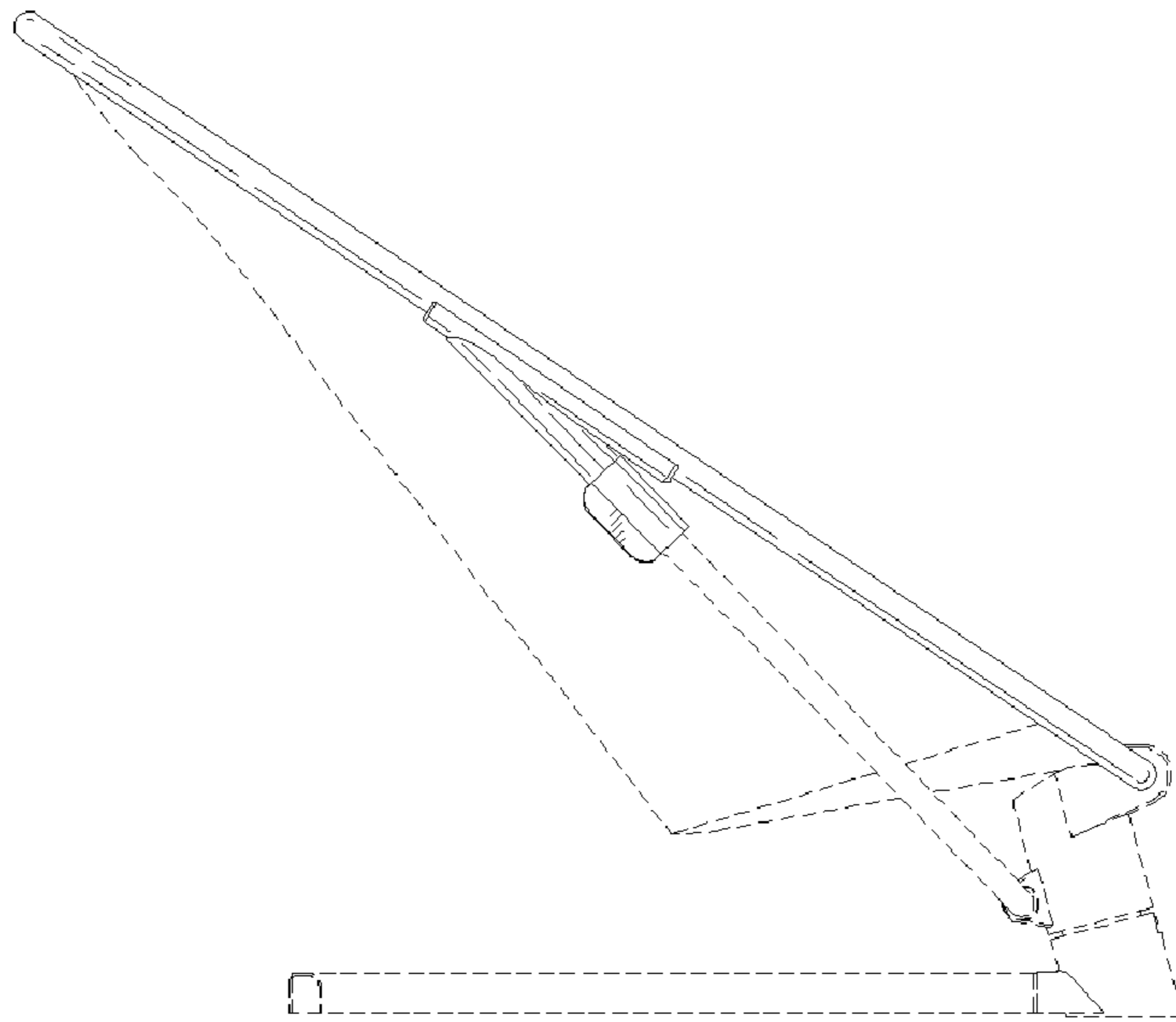


FIG. 4

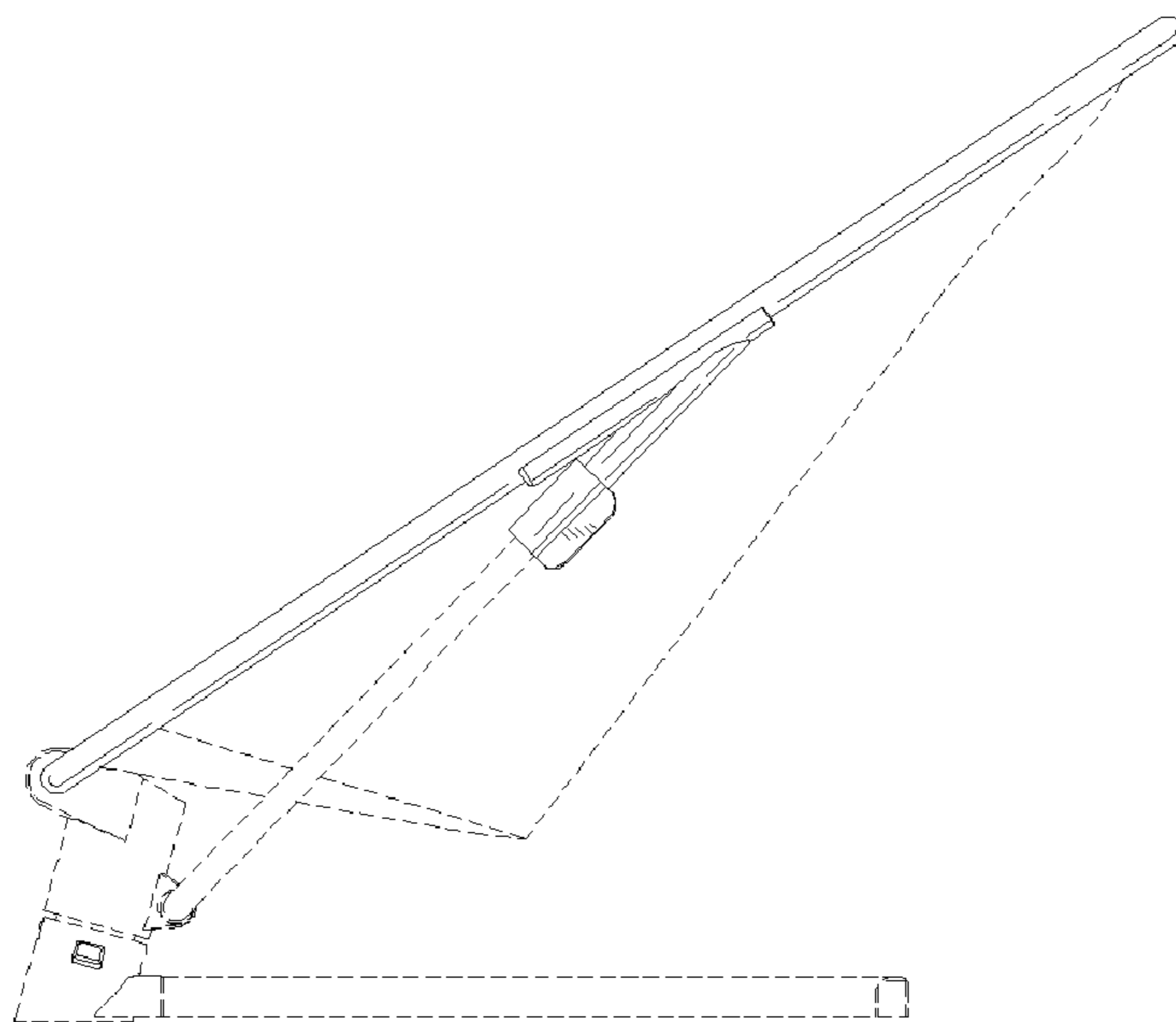
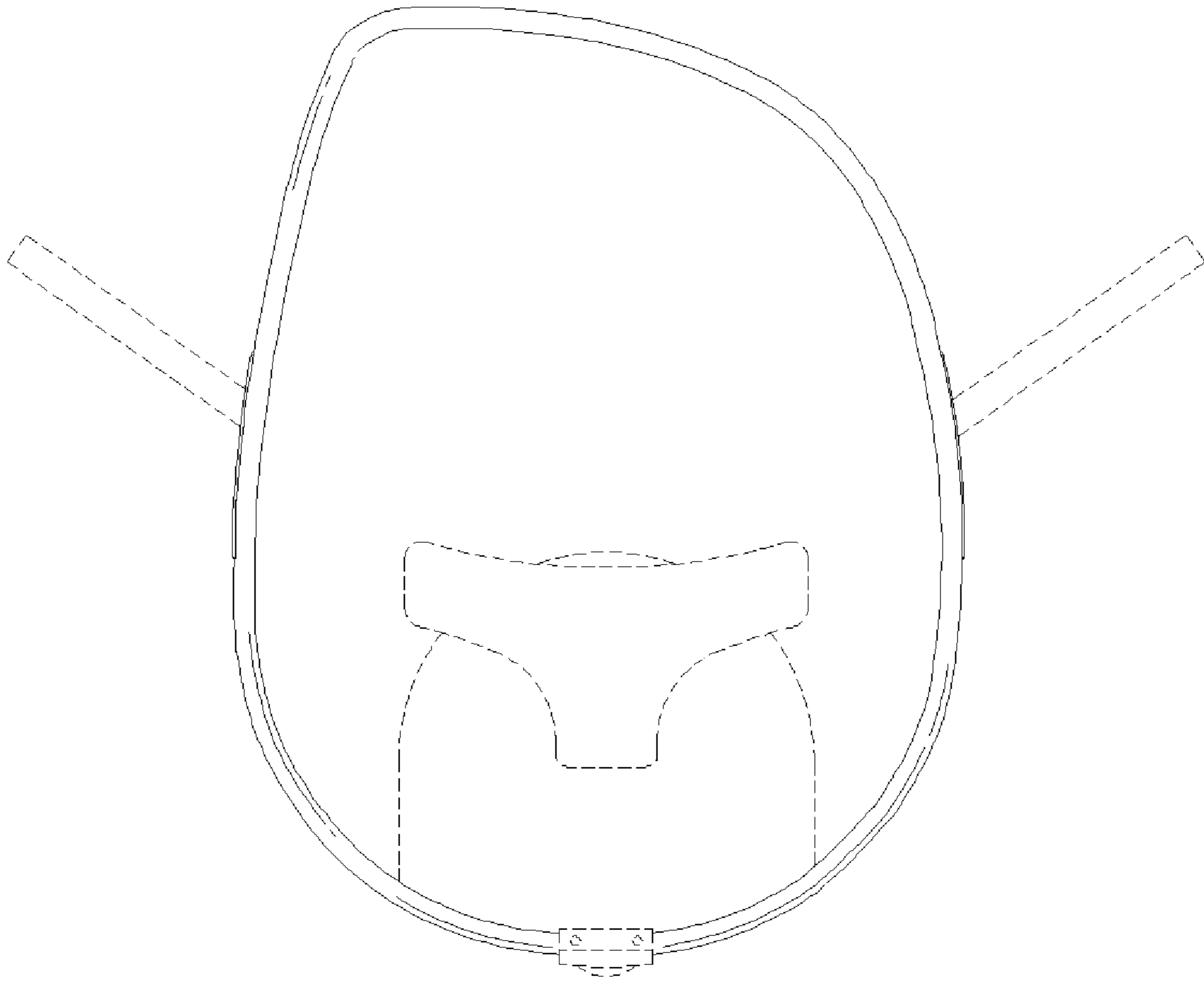


FIG. 5



F I G. 6

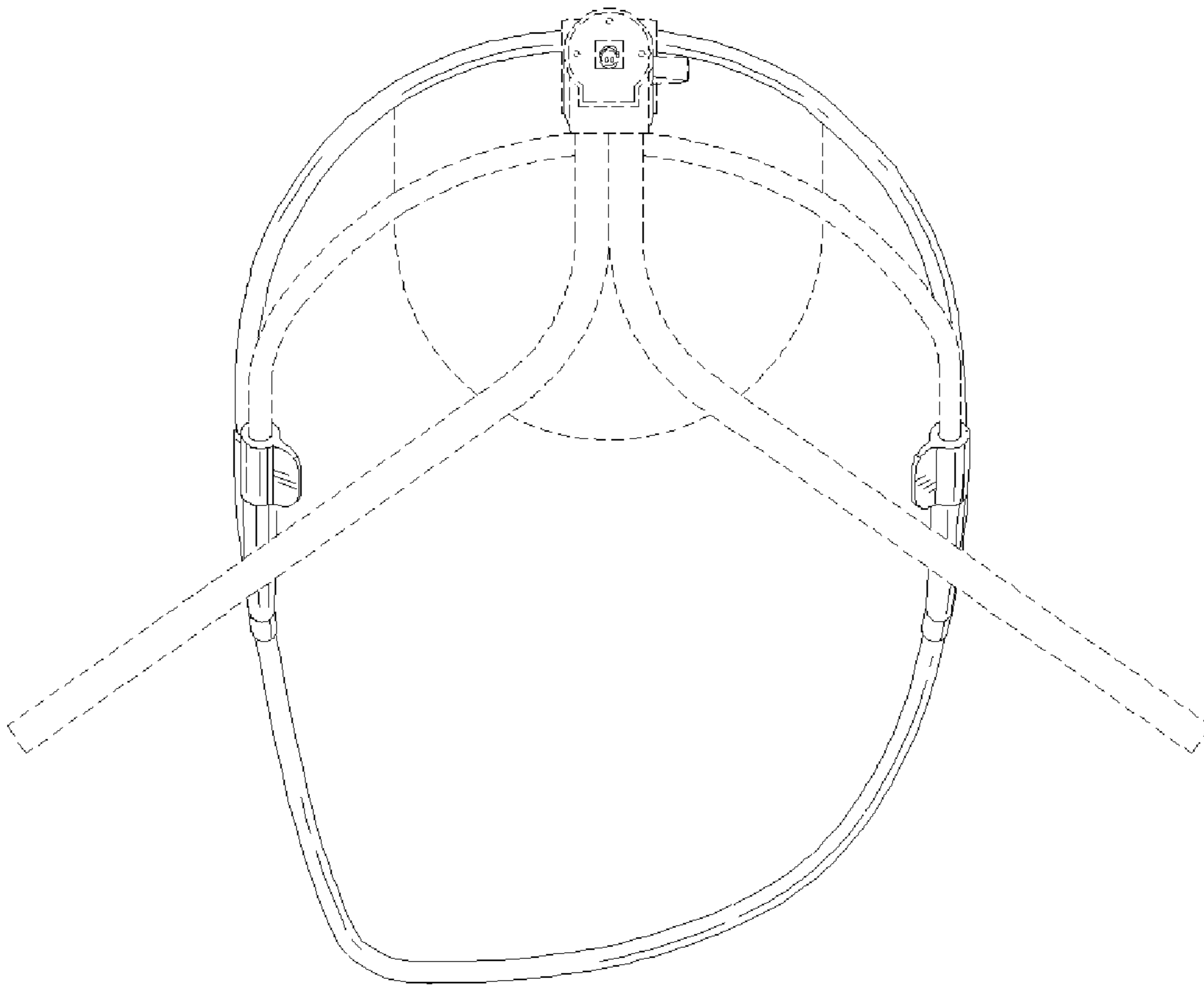


FIG. 7