



US00D611252S

(12) **United States Design Patent**
Fiscus

(10) **Patent No.:** **US D611,252 S**
(45) **Date of Patent:** **** Mar. 9, 2010**

(54) **TREADPLATE JOB SITE BOX**
(75) Inventor: **Jon Fiscus**, Barrington, IL (US)
(73) Assignee: **Geelong Sales Company International Ltd.**, Hong Kong (HK)

D493,302 S * 7/2004 Sabo et al. D6/440
D525,047 S * 7/2006 Linder D6/432
D559,016 S * 1/2008 Domack et al. D6/480
D580,653 S * 11/2008 Robaina D3/272

(**) Term: **14 Years**
(21) Appl. No.: **29/330,906**
(22) Filed: **Jan. 15, 2009**

OTHER PUBLICATIONS

Geelong Site Box. Snagged Sep. 21, 2009 AT http://www.geelongsales.com/pdf/site_truck_box_series.pdf.*

* cited by examiner

Primary Examiner—Philip S Hyder
Assistant Examiner—Roselyne Cody
(74) *Attorney, Agent, or Firm*—Barnes & Thornburg LLP

(51) **LOC (9) Cl.** **03-01**
(52) **U.S. Cl.** **D3/294; D3/272; D6/440**
(58) **Field of Classification Search** D3/272–273,
D3/276, 281–282, 291–292, 294–297, 302,
D3/905; D6/432, 440; 206/349, 372–373;
312/244, 351.3, 902

(57) **CLAIM**

The ornamental design for a treadplate job site box, as shown and described.

See application file for complete search history.

DESCRIPTION

(56) **References Cited**

U.S. PATENT DOCUMENTS

D38,039 S * 5/1906 Mitchell D3/322
D117,837 S * 11/1939 Tuttle D6/440
4,288,134 A * 9/1981 Knaack et al. 312/290
D264,641 S * 6/1982 Evans et al. D3/272
D393,943 S * 5/1998 Franklin et al. D3/273
D407,237 S * 3/1999 Stangl D6/440
D410,350 S * 6/1999 Stangl D6/440
5,997,442 A * 12/1999 Cordes 482/52
D426,724 S * 6/2000 Stangl D6/440
D430,753 S * 9/2000 Stangl D6/440
D456,134 S * 4/2002 Buck D3/276
D460,259 S * 7/2002 Oelfke D3/284
D466,294 S * 12/2002 Ekerot et al. D3/273
D467,730 S * 12/2002 Ekerot et al. D3/273
D471,377 S * 3/2003 Gledhill et al. D6/432

FIG. 1 is a front elevational view of a job site box according to my invention.

FIG. 2 is a top plan view thereof.

FIG. 3 is a left side elevational illustration thereof.

FIG. 4 is an elevational view of the opposite site thereof.

FIG. 5 is a rear elevational view thereof.

FIG. 6 is a bottom plan view thereof.

FIG. 7 is a front isometric view of the job site box according to my invention; and,

FIG. 8 is a front isometric view thereof, with the top lid opened.

The broken lines in FIG. 8 illustrate aspects of the design that form no part of the claim.

1 Claim, 5 Drawing Sheets

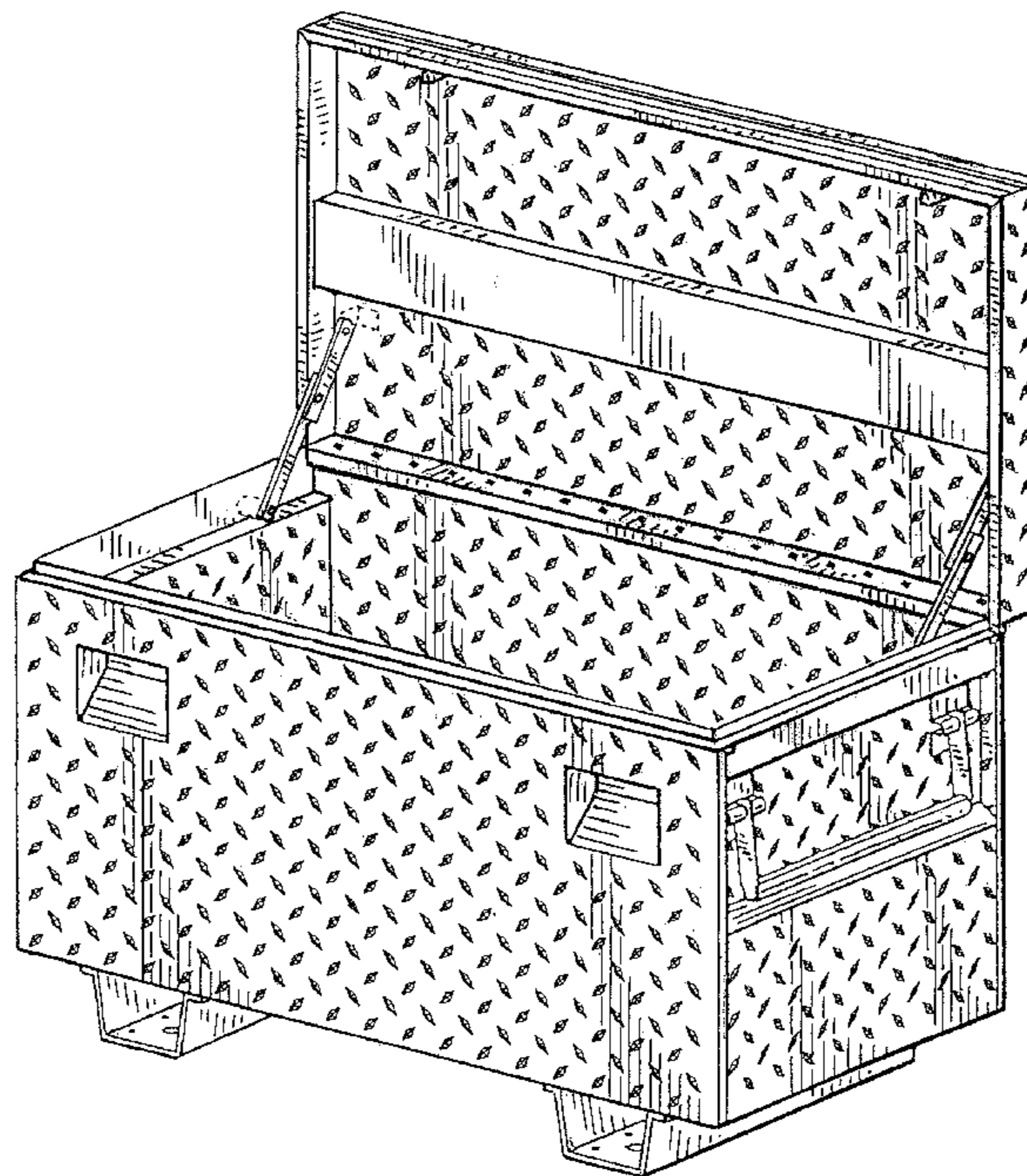


FIG. 1

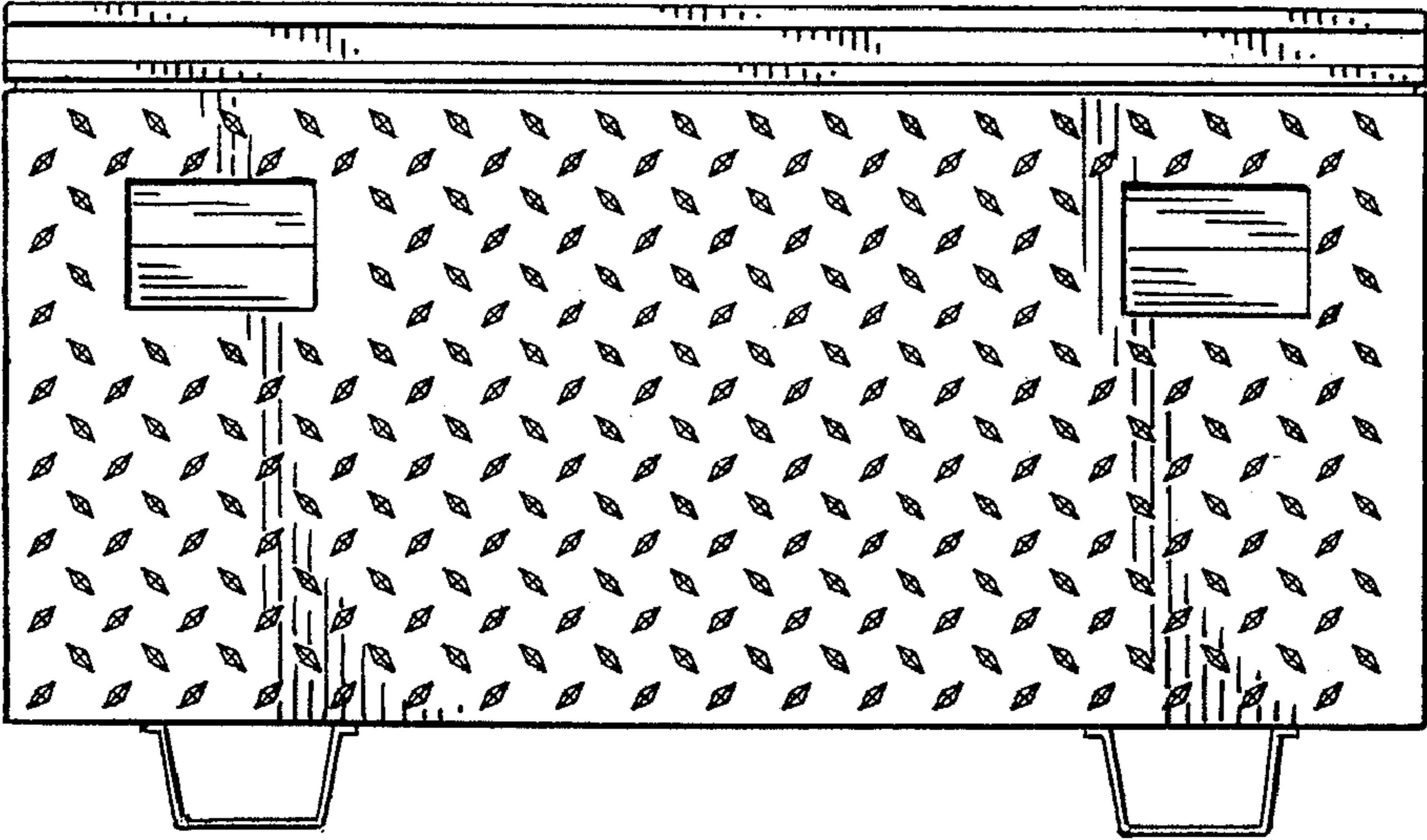


FIG. 2

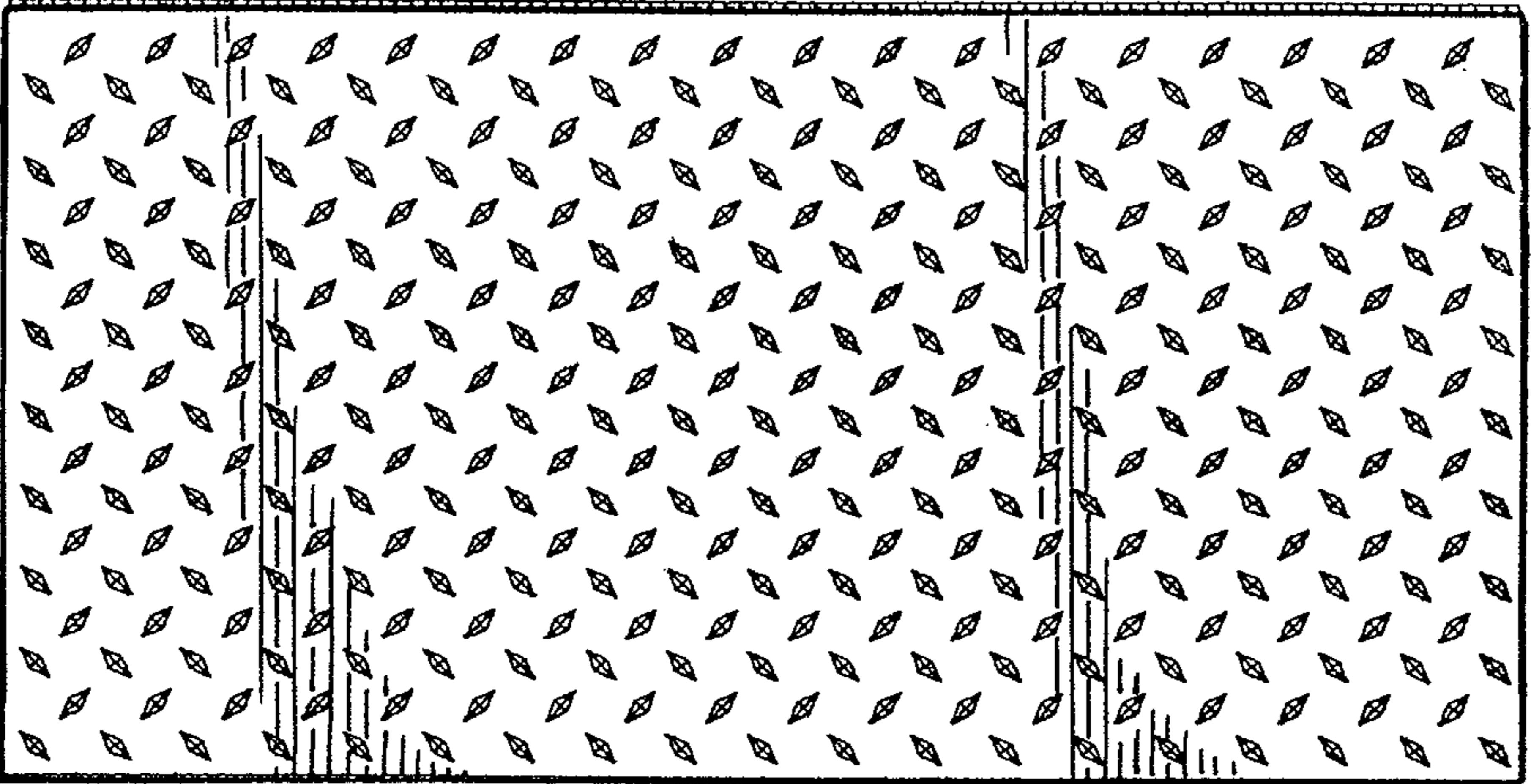


FIG. 3

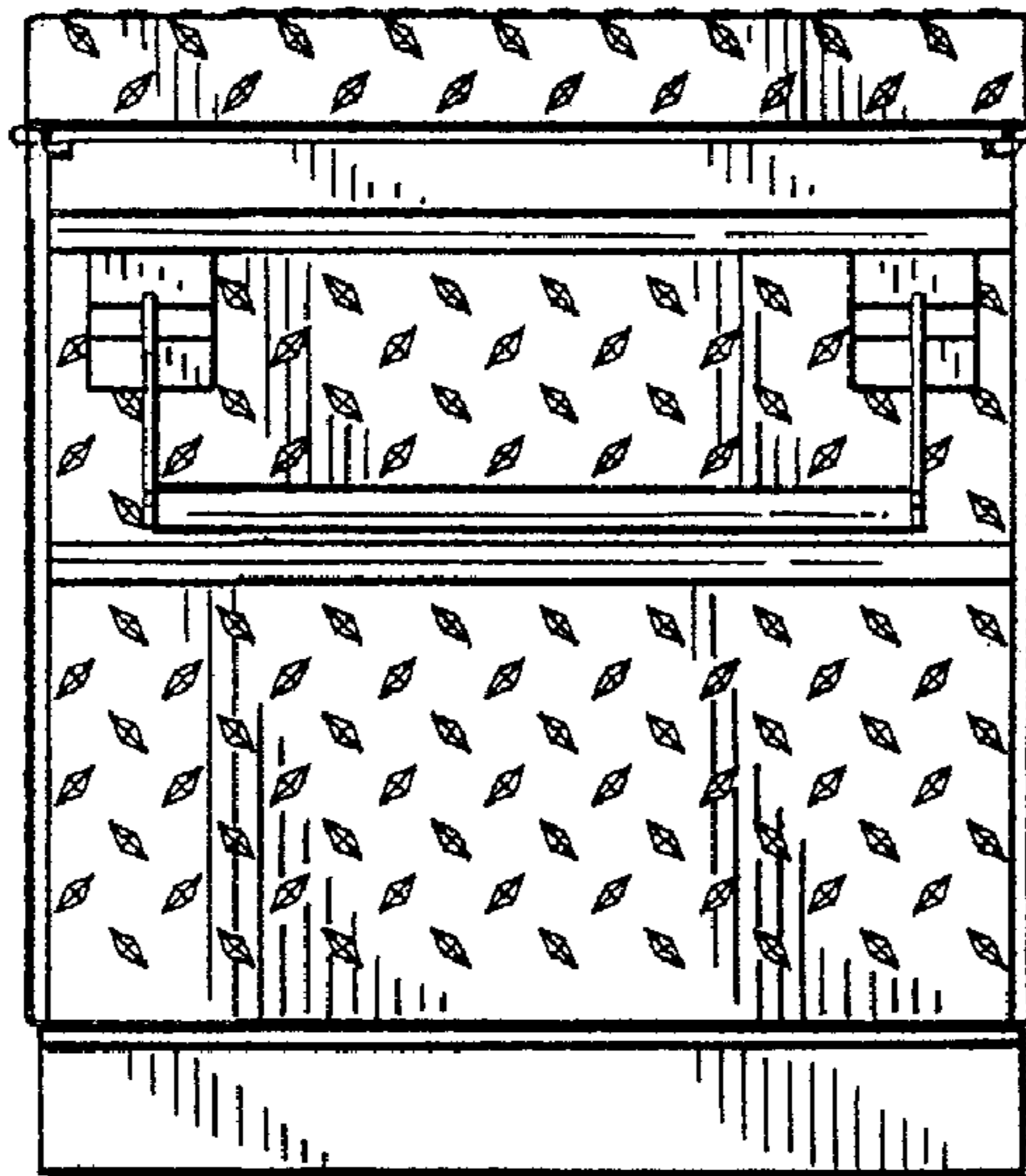


FIG. 4

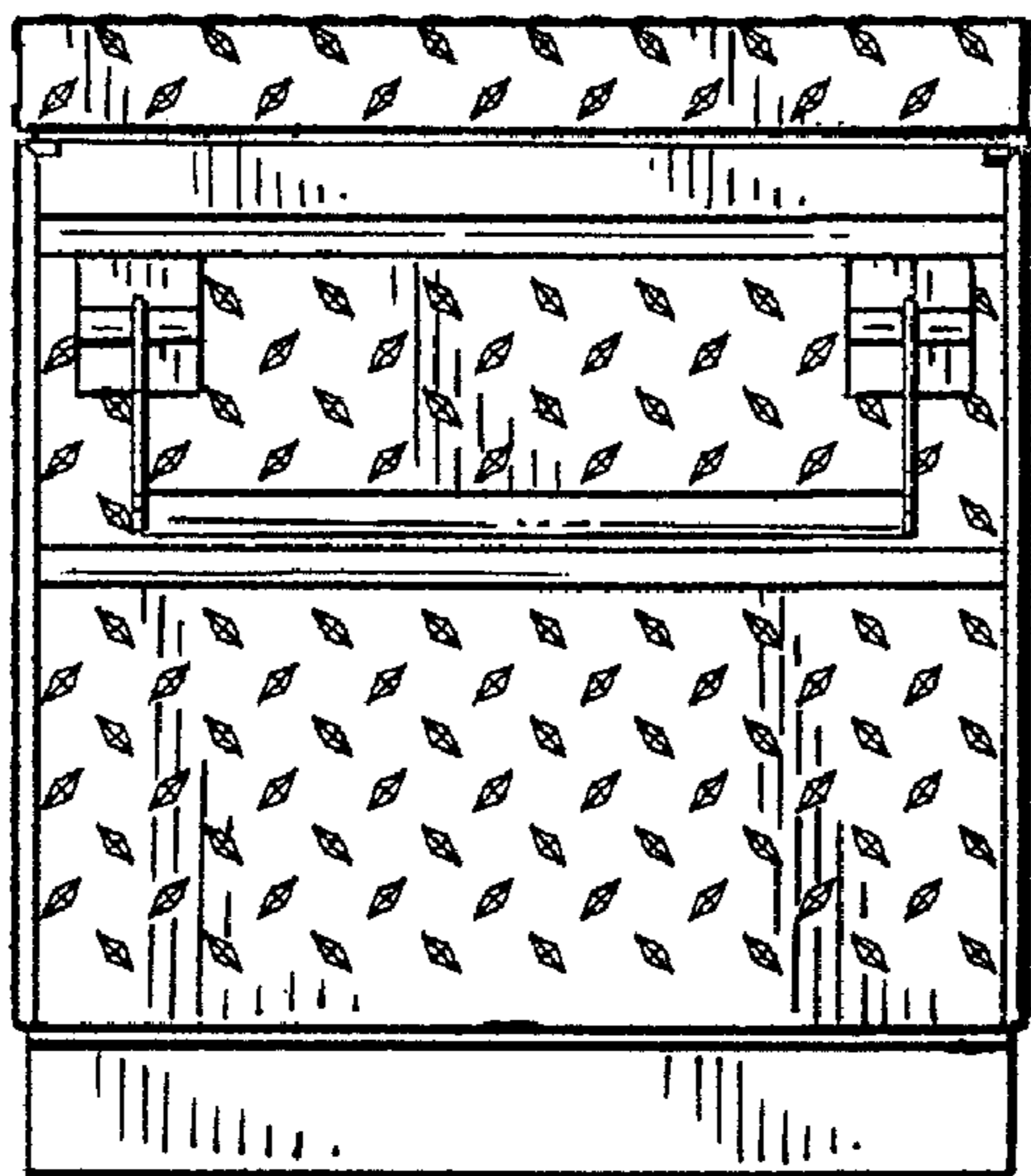


FIG. 5

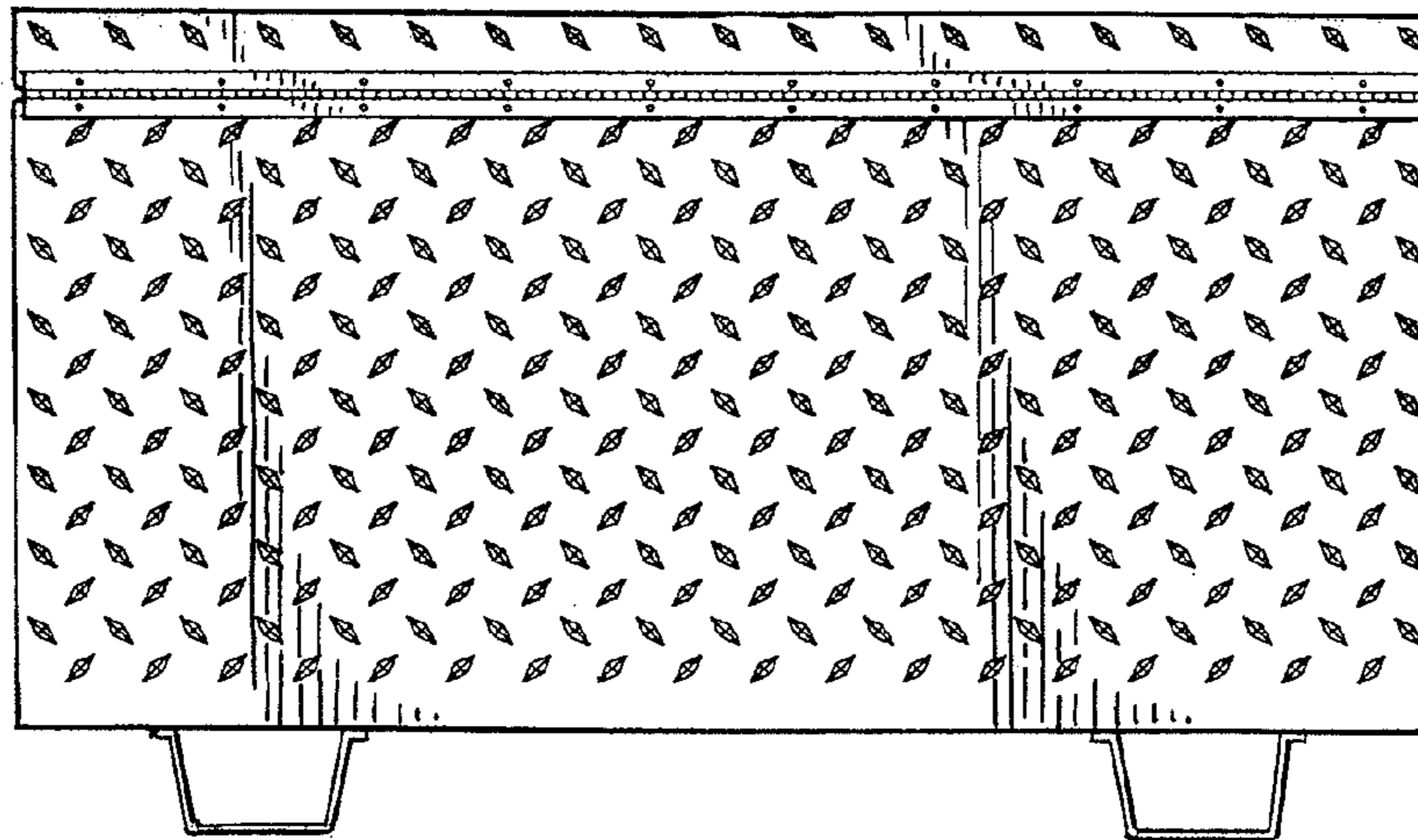


FIG. 6

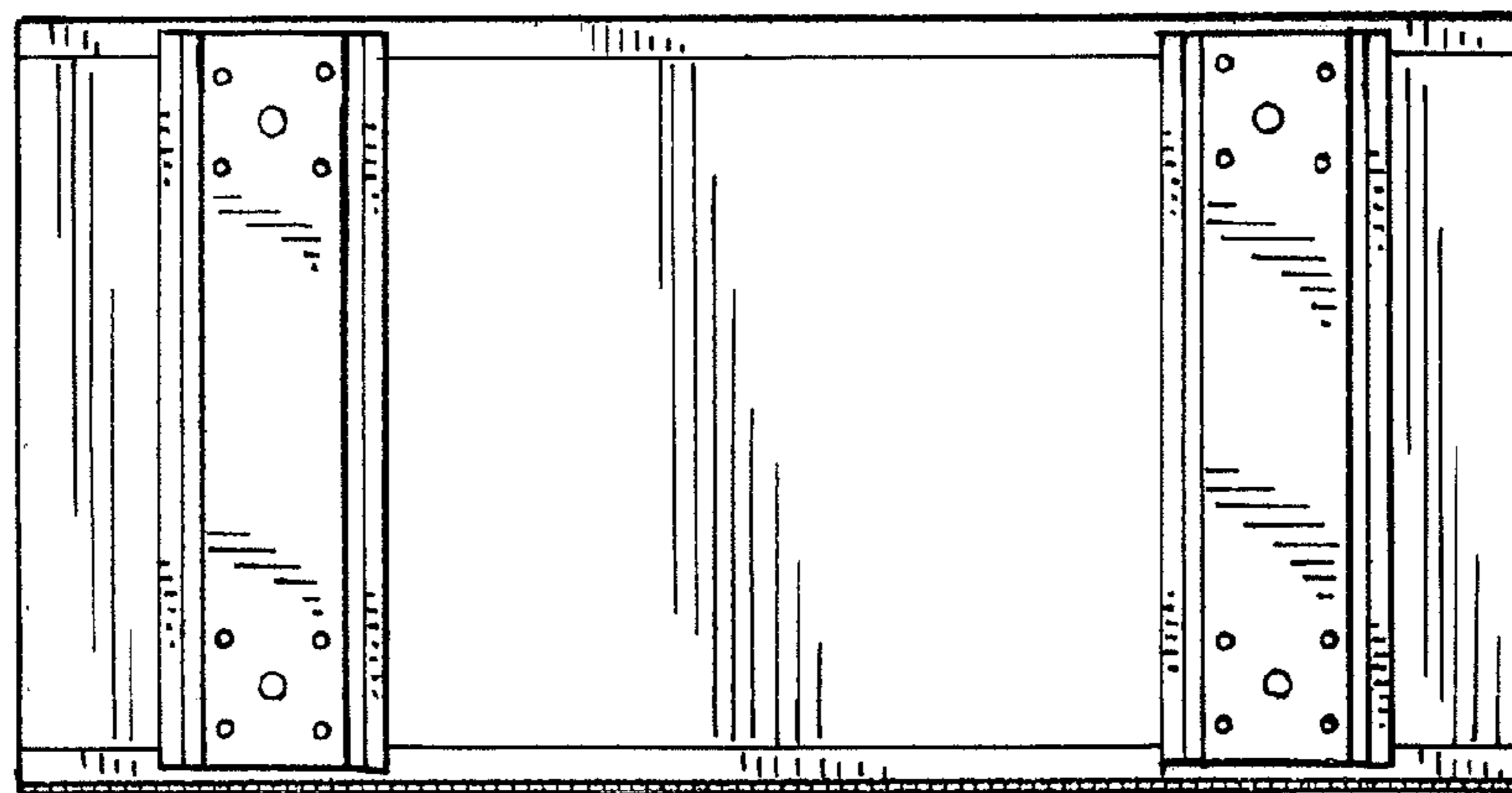


FIG. 7

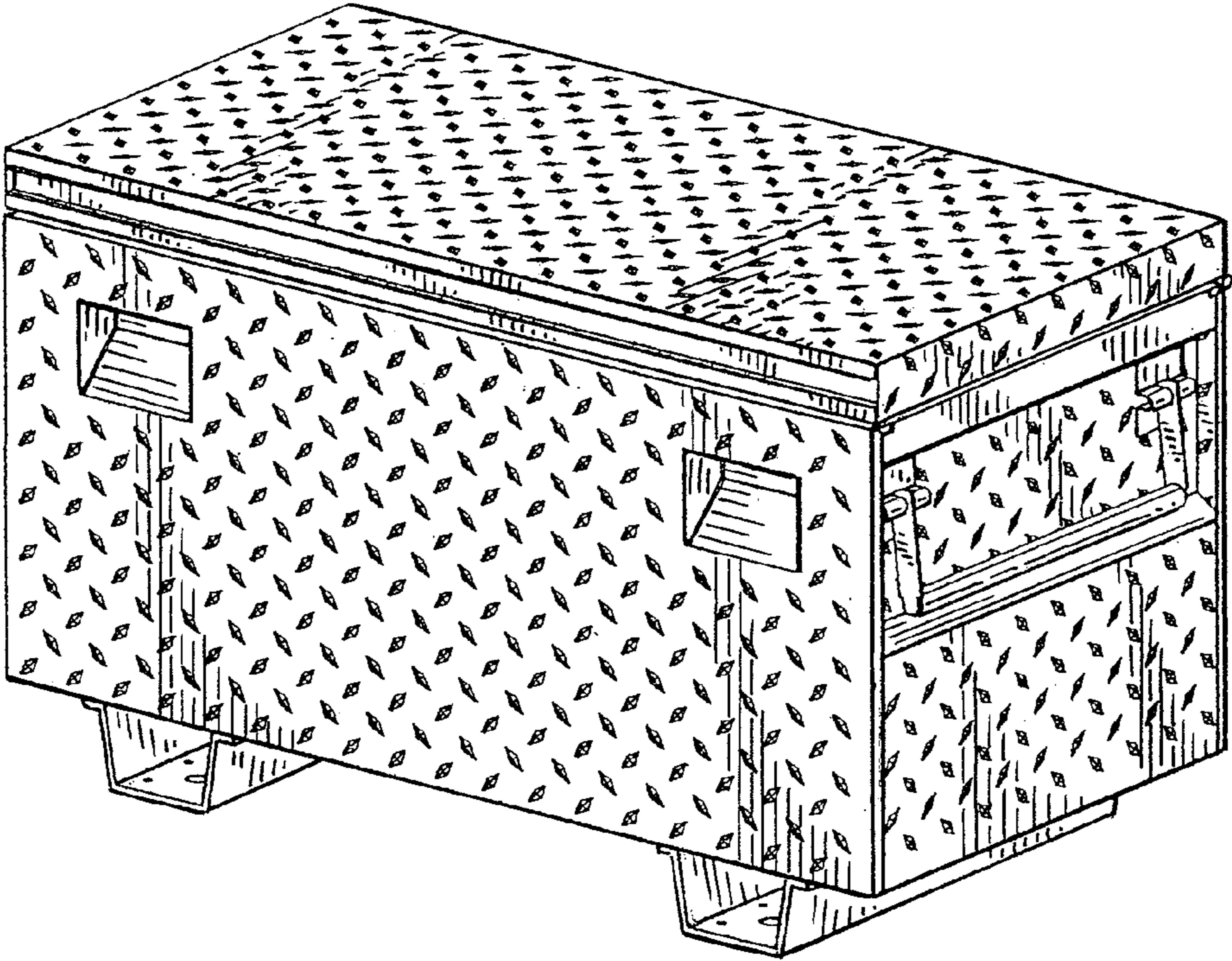


FIG. 8

