



US00D611249S

(12) **United States Design Patent**
Uzelac

(10) **Patent No.:** **US D611,249 S**
(45) **Date of Patent:** **** Mar. 9, 2010**

(54) **CREDIT CARD HOLDER**

D380,295 S * 7/1997 Morris D3/243

(76) Inventor: **Noel Nebojsa Uzelac**, 670 Powell Court,
Burlington, Ontario (CA) L7R 3E8

* cited by examiner

Primary Examiner—Holly H Baynham
(74) *Attorney, Agent, or Firm*—Steven M. Greenberg, Esq.;
Carey, Rodriguez, Greenberg & Paul, LLP

(**) Term: **14 Years**

(21) Appl. No.: **29/330,190**

(57) **CLAIM**

(22) Filed: **Dec. 30, 2008**

The ornamental design for a credit card holder, as shown and described.

Related U.S. Application Data

DESCRIPTION

(63) Continuation-in-part of application No. 29/300,292,
filed on Mar. 10, 2008, now Pat. No. Des. 584,049.

FIG. 1 is a perspective view from above of the credit card holder showing credit cards held thereby in broken lines;

(51) **LOC (9) Cl.** **03-01**

FIG. 2 is a perspective view of the credit card holder from below;

(52) **U.S. Cl.** **D3/247**

(58) **Field of Classification Search** D3/246–252;
150/100, 103–104, 106–110, 113–114, 118–119,
150/130–132

FIG. 3 is a left hand side view of the credit card holder;

See application file for complete search history.

FIG. 4 is a front view of the credit card holder;

FIG. 5 is a right hand side view of the credit card holder;

(56) **References Cited**

U.S. PATENT DOCUMENTS

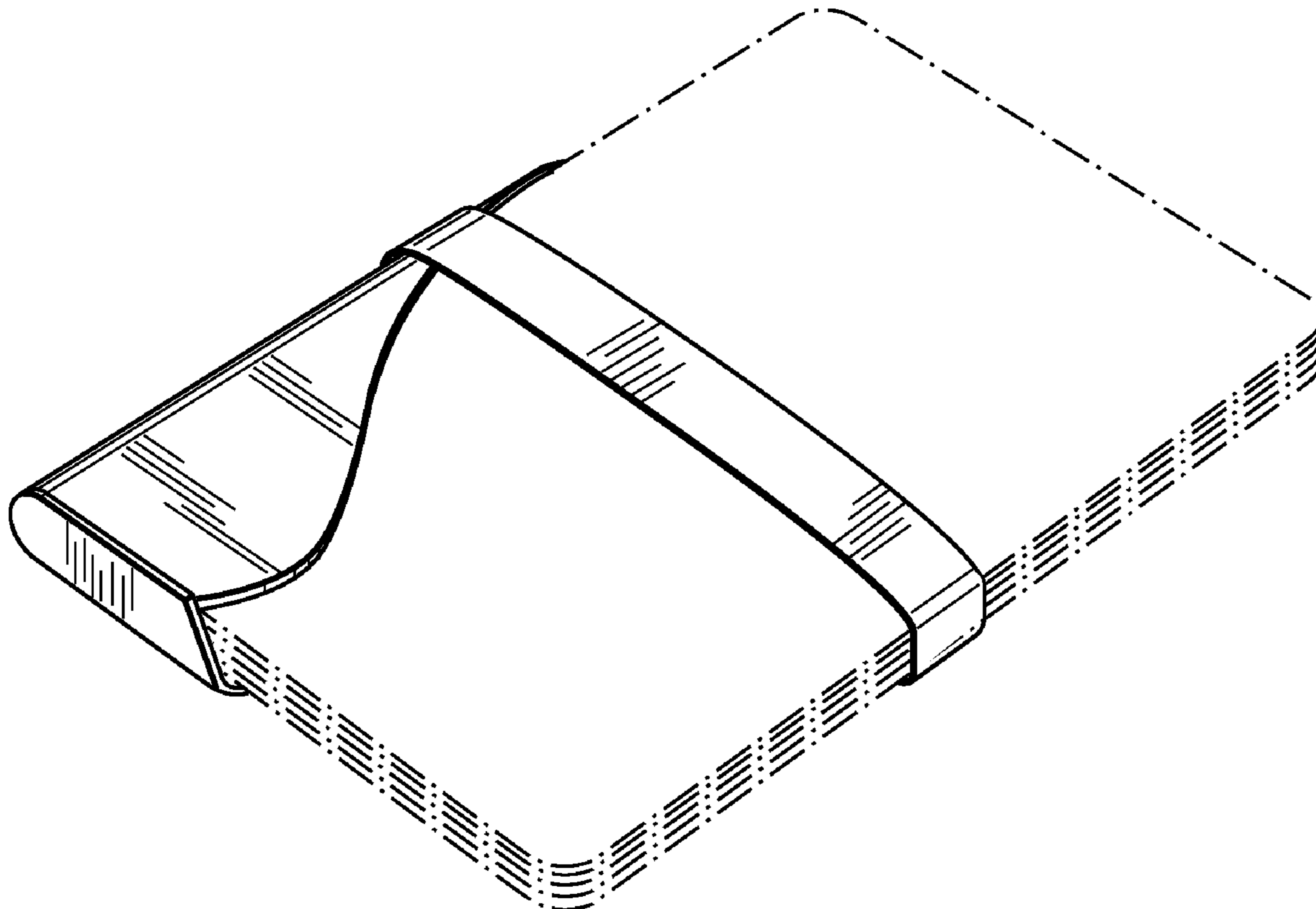
48,727 A * 7/1865 Saabach 150/118
2,068,507 A * 1/1937 Nagel 150/103
D137,656 S * 4/1944 Koch D3/247

FIG. 6 is a rear view of the credit card holder;

FIG. 7 is a plan view of the credit card holder; and,

FIG. 8 is a bottom view of the credit card holder.

1 Claim, 2 Drawing Sheets



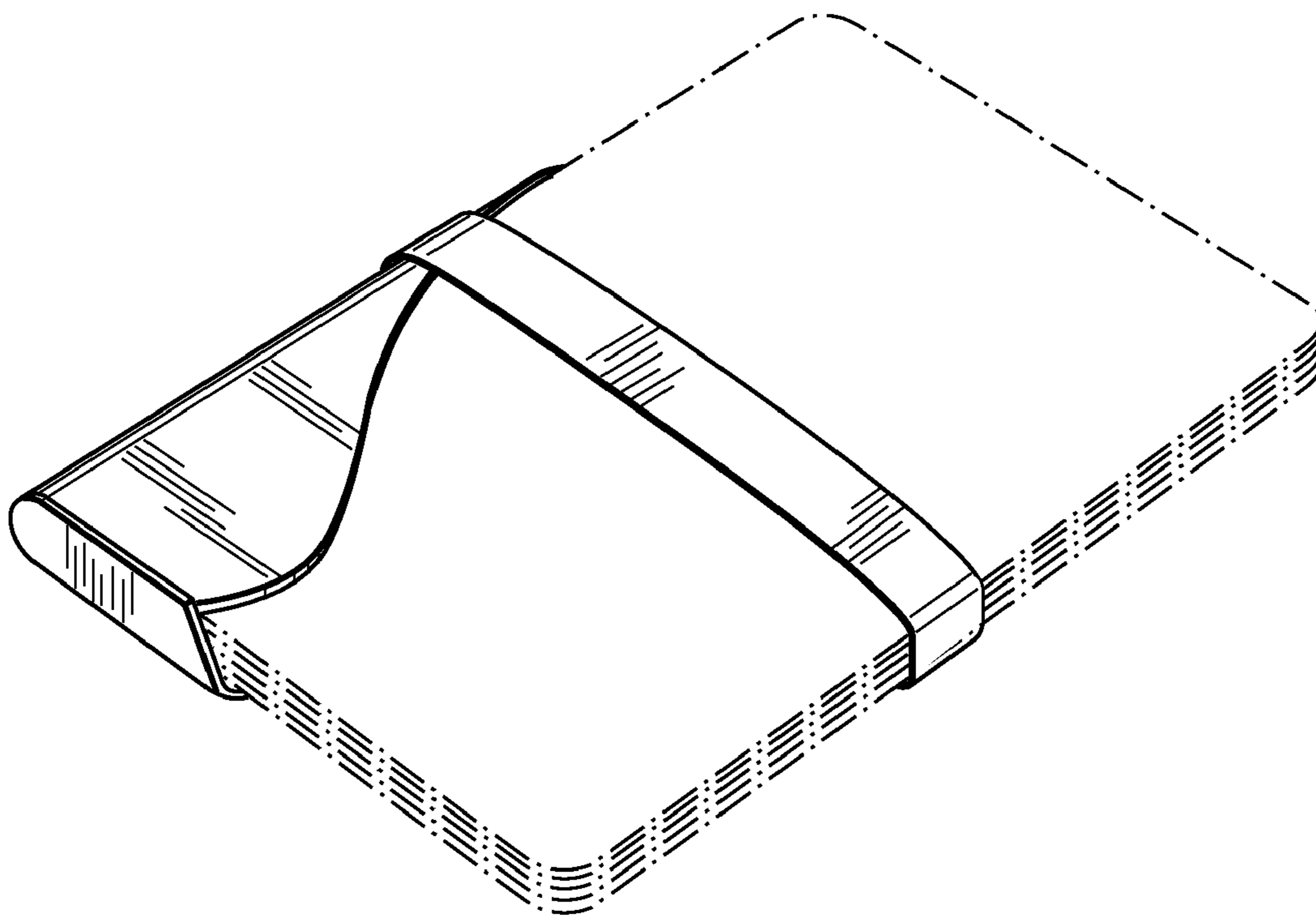


FIG. 1

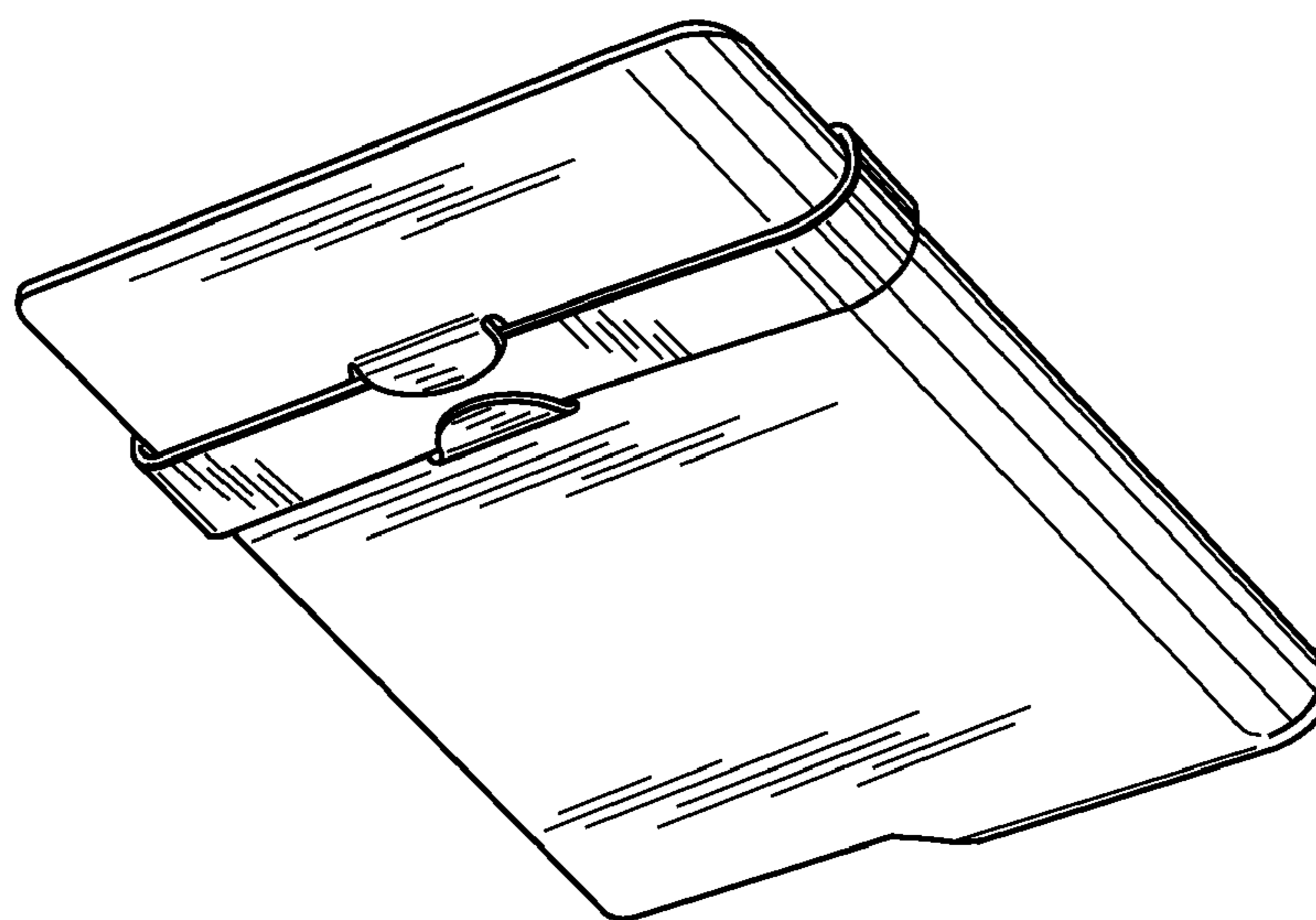


FIG. 2

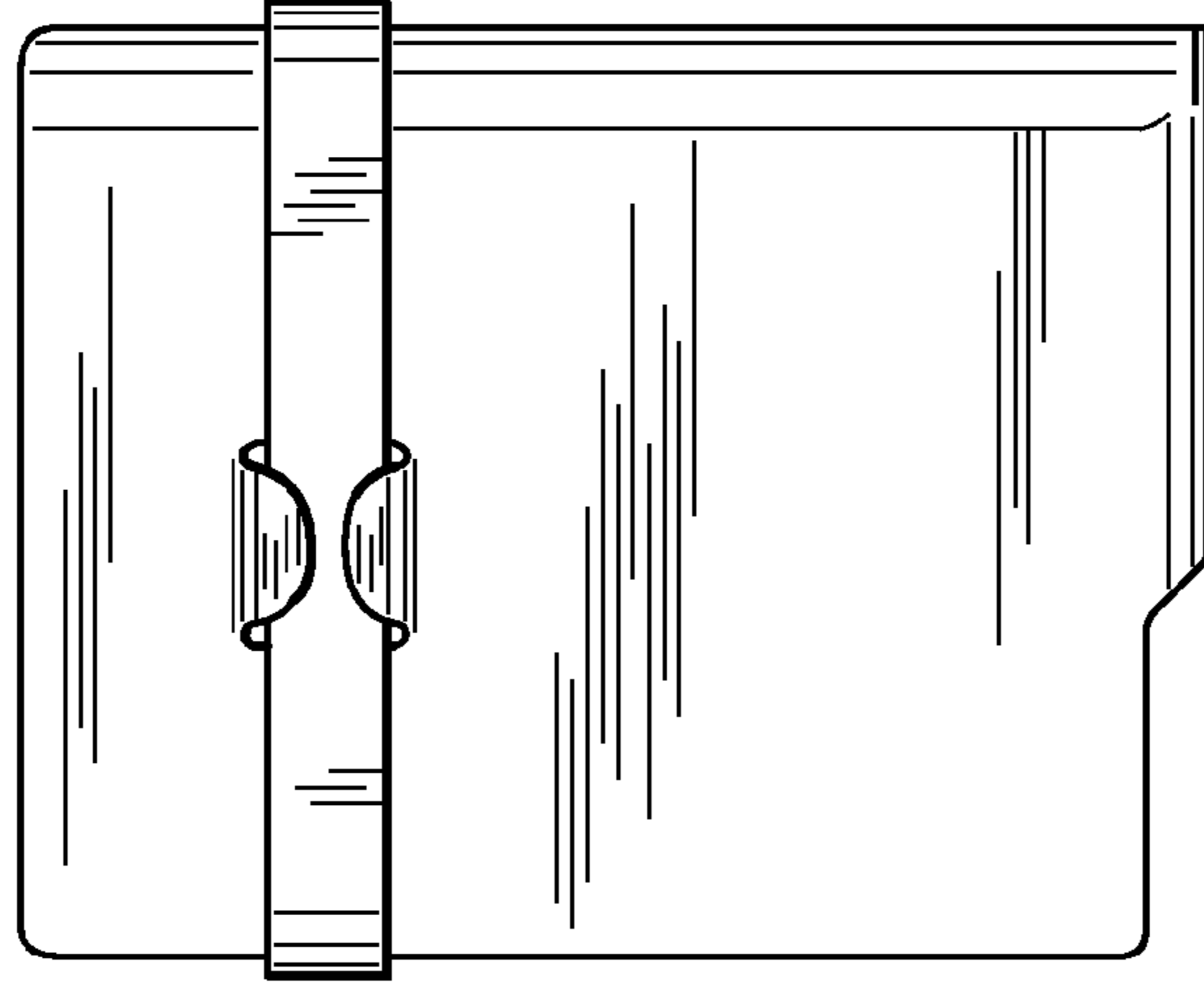


FIG. 6

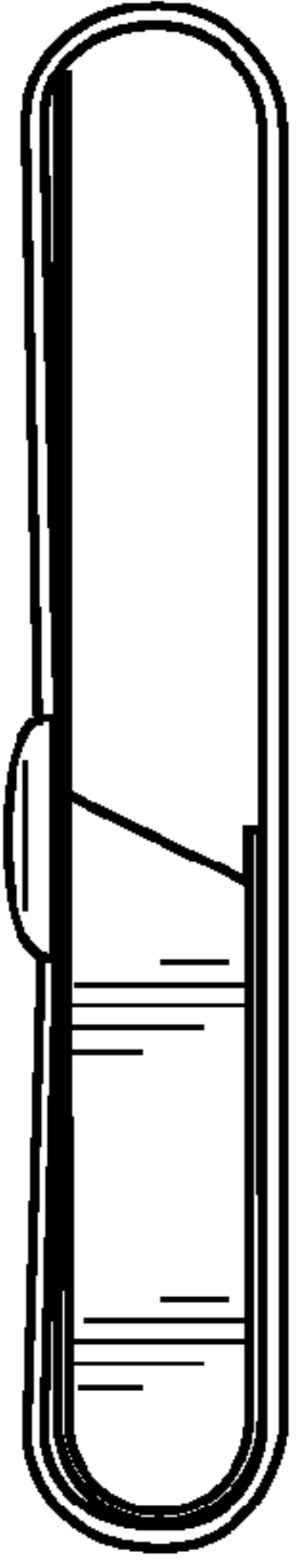


FIG. 7

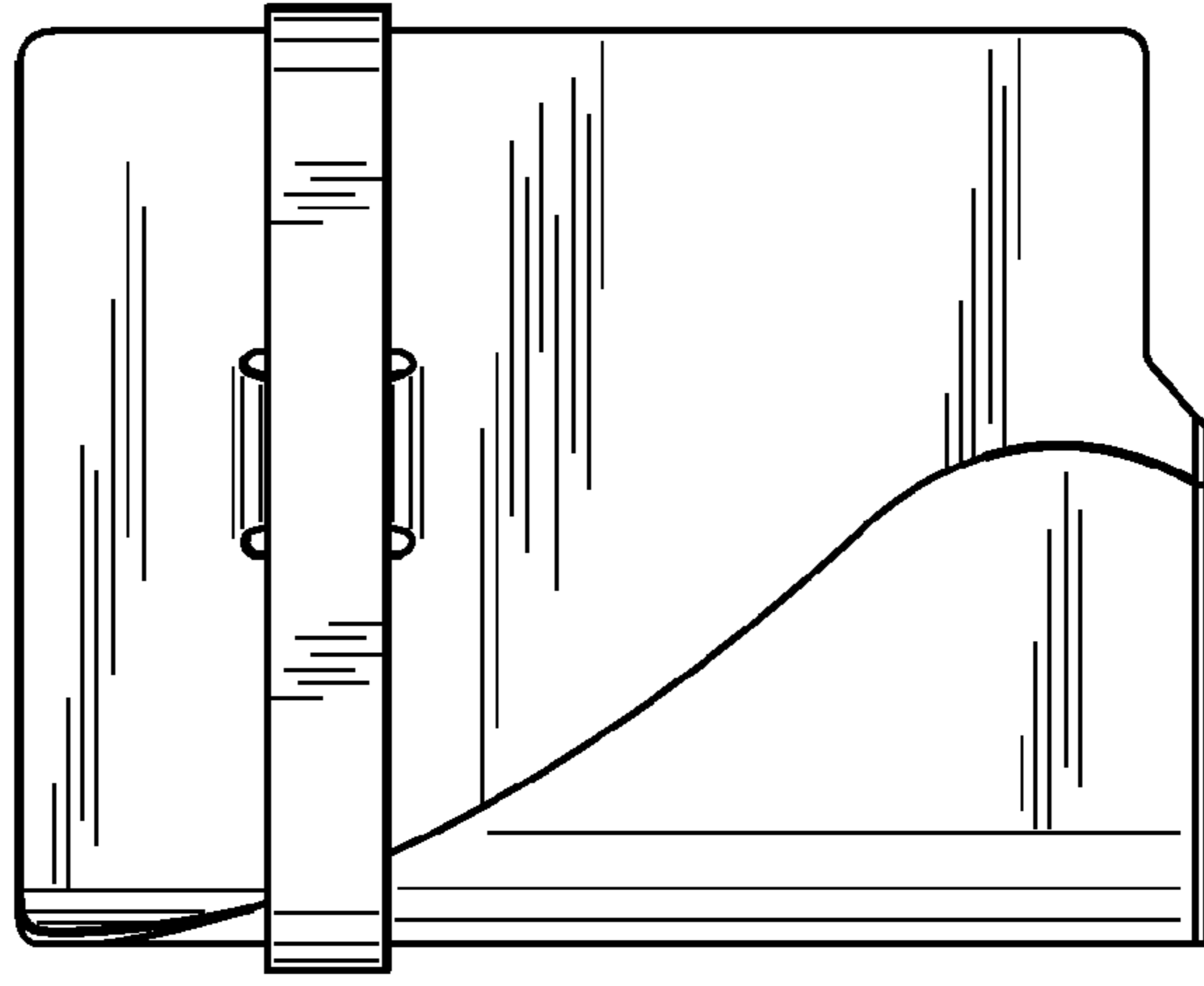


FIG. 4

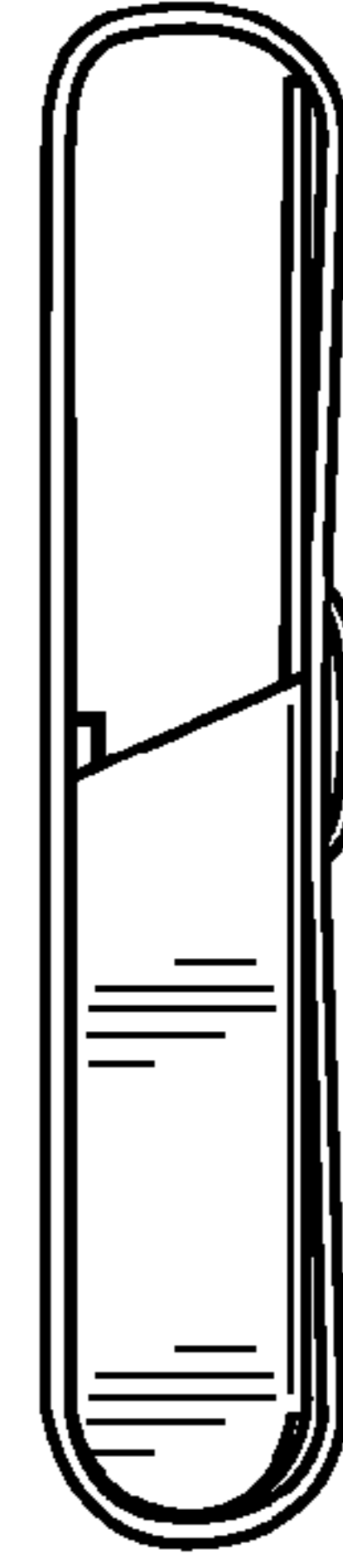


FIG. 8

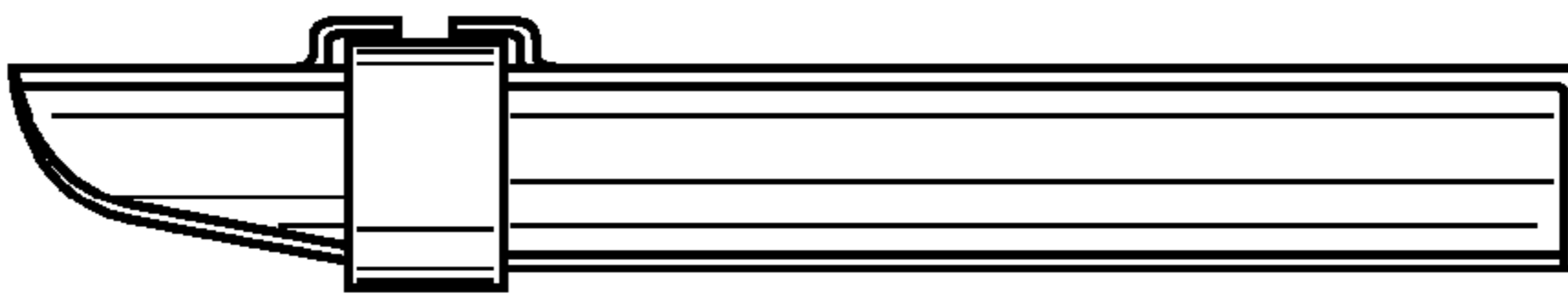


FIG. 5



FIG. 3