



US00D611245S

(12) **United States Design Patent**  
**Christiansen**

(10) **Patent No.:** **US D611,245 S**  
(45) **Date of Patent:** **\*\* Mar. 9, 2010**

(54) **CASSETTE FOR STORAGE AND TRANSPORT OF FLAT OBJECTS**

D549,458 S \* 8/2007 Krahl et al. .... D3/315

(75) Inventor: **Torben Christiansen**, Broby (DK)

\* cited by examiner

(73) Assignee: **BCM Transtech A/S**, Broby (DK)

*Primary Examiner*—Catherine R Oliver

(\*\*) Term: **14 Years**

(74) *Attorney, Agent, or Firm*—William J. Sapone; Coleman Sudol Sapone P.C.

(21) Appl. No.: **29/297,282**

(57) **CLAIM**

(22) Filed: **Nov. 8, 2007**

I claim the design for a cassette for storage and transport of flat objects, as shown and described.

(30) **Foreign Application Priority Data**

May 31, 2007 (EM) ..... 000737481

**DESCRIPTION**

(51) **LOC (9) Cl.** ..... **03-01**

(52) **U.S. Cl.** ..... **D3/201**

(58) **Field of Classification Search** ..... D3/201,  
D3/228, 315, 310, 313, 305, 308, 905; D8/71;  
D15/127, 136; 206/372–378

FIG. 1 is a side perspective view of the cassette for storage and transport of flat objects, showing my design with the cassette closed;

FIG. 2 is a side perspective view of the cassette in an opened position for receiving flat objects for storage; and,

FIG. 3 is a rear view of the cassette as shown in FIG. 2 in the opened position.

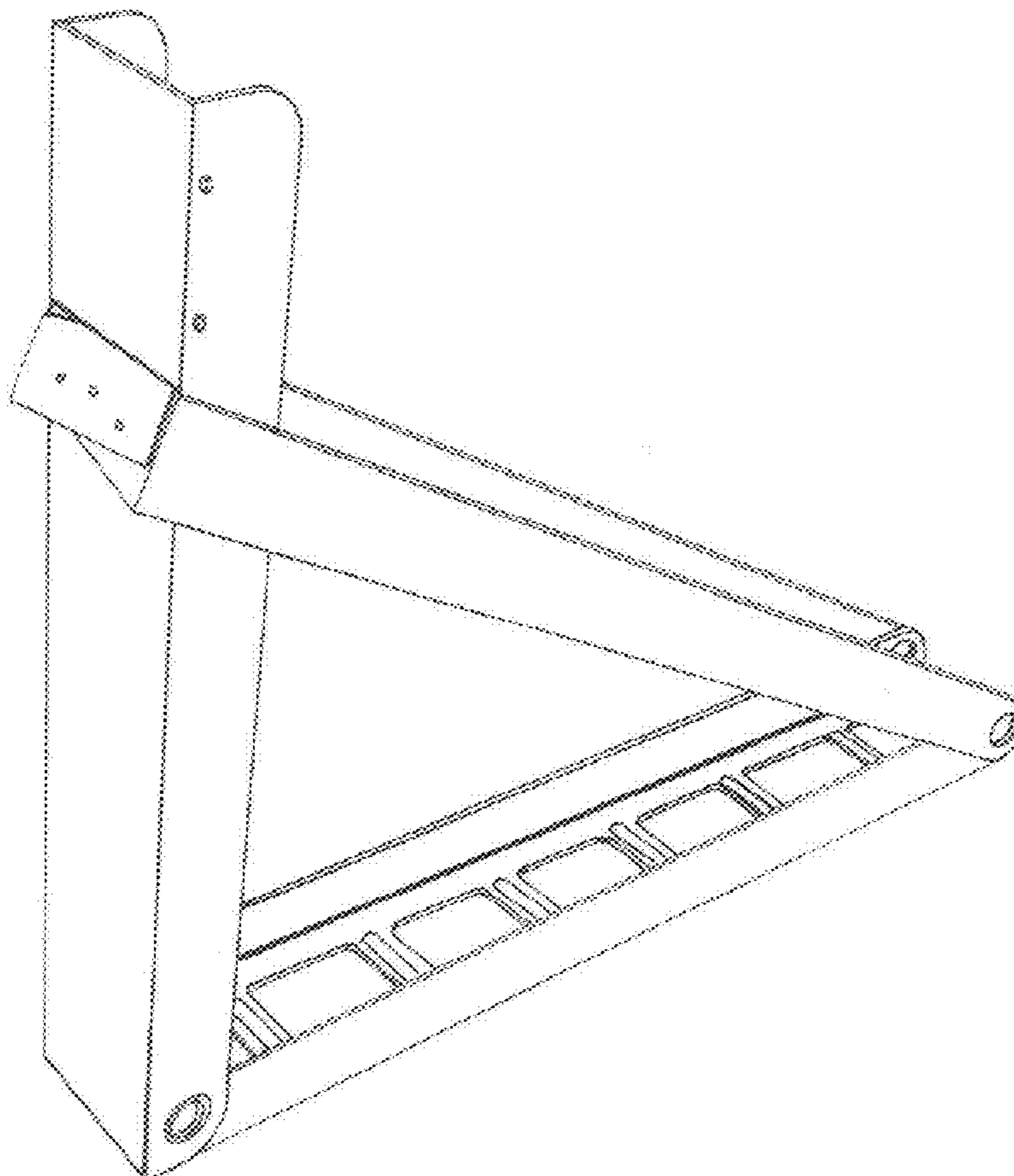
See application file for complete search history.

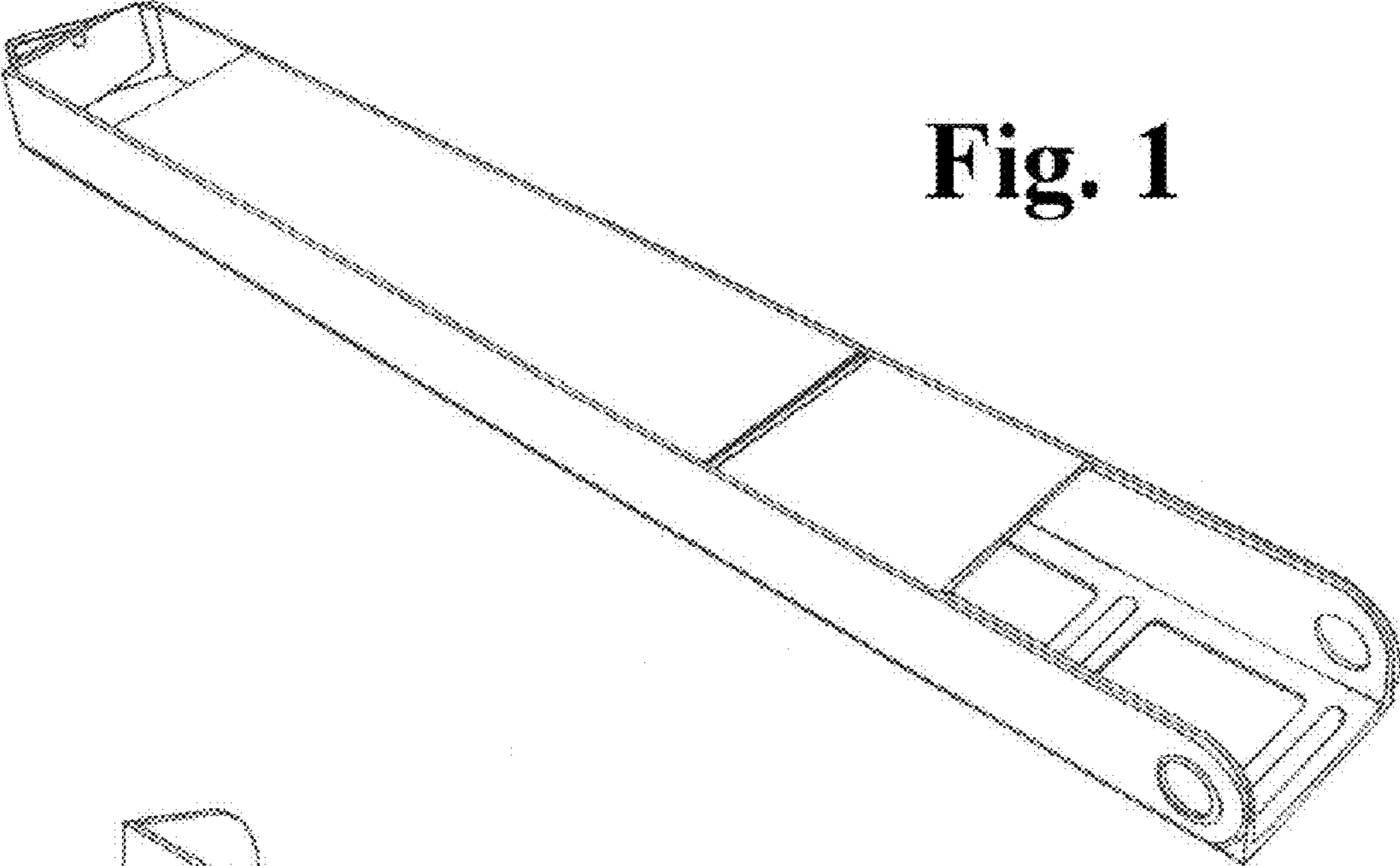
(56) **References Cited**

**U.S. PATENT DOCUMENTS**

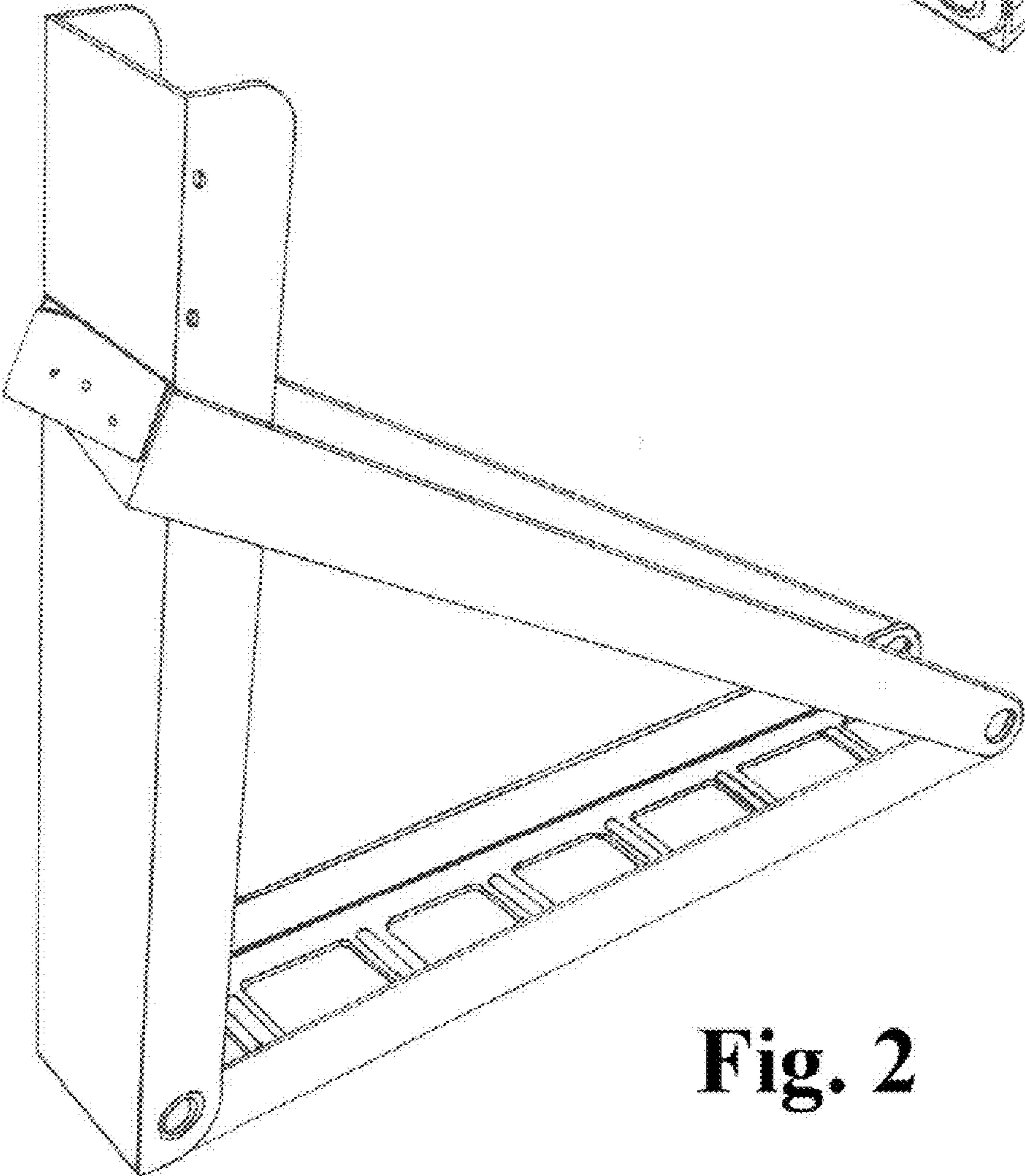
D437,626 S \* 2/2001 Chang ..... D3/201

**1 Claim, 2 Drawing Sheets**

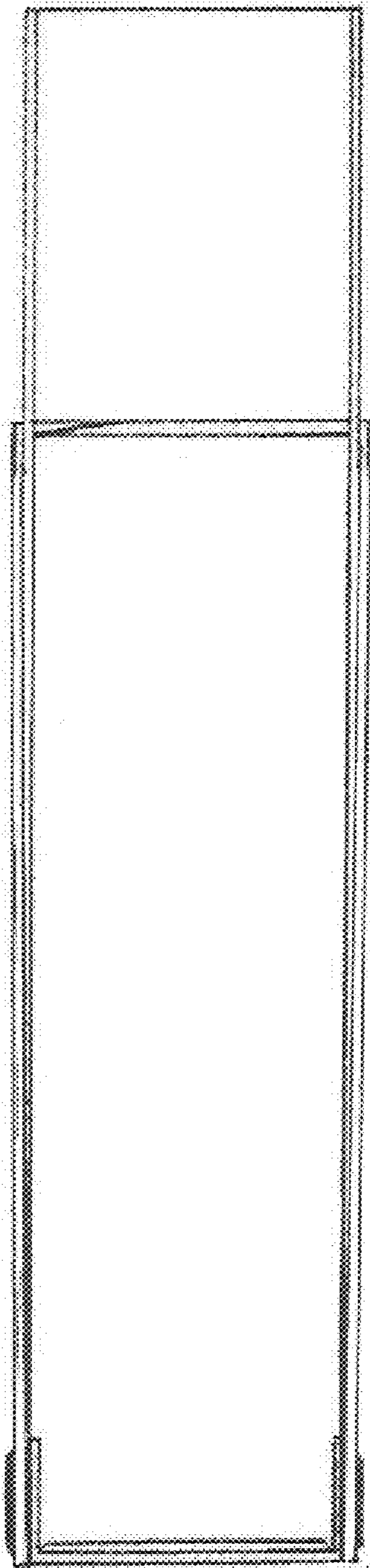




**Fig. 1**



**Fig. 2**



**Fig. 3**