



US00D611244S

(12) **United States Design Patent**  
**Ozeki**

(10) **Patent No.:** **US D611,244 S**  
(45) **Date of Patent:** **\*\* Mar. 9, 2010**

(54) **THIMBLE FOR NEEDLE WORK**

(75) Inventor: **Katsuhiko Ozeki**, Osaka (JP)

(73) Assignee: **Clover Mfg. Co., Ltd.**, Osaka (JP)

(\*\*) Term: **14 Years**

(21) Appl. No.: **29/314,348**

(22) Filed: **Mar. 23, 2009**

(30) **Foreign Application Priority Data**

Oct. 17, 2008 (JP) ..... 2008-026750

(51) **LOC (9) Cl.** ..... **02-07**

(52) **U.S. Cl.** ..... **D3/29**

(58) **Field of Classification Search** ..... D3/18-29;  
223/101, 102, 103; 2/163; 7/121; 30/298

See application file for complete search history.

(56) **References Cited**

**U.S. PATENT DOCUMENTS**

D258,174 S *	2/1981	Shane et al.	.....	D3/29
D263,895 S *	4/1982	Petersen	.....	D3/29
D305,956 S *	2/1990	McCroskey	.....	D3/29
D324,298 S *	3/1992	Brull	.....	D3/29
D401,404 S *	11/1998	Raterink	.....	D3/29
D409,829 S *	5/1999	Hanner	.....	D3/29

\* cited by examiner

*Primary Examiner*—T. Chase Nelson

*Assistant Examiner*—Anhdao Doan

(74) *Attorney, Agent, or Firm*—Hamre, Schumann, Mueller & Larson, P.C.

(57) **CLAIM**

I claim the ornamental design for a thimble for needle work, as shown and described.

**DESCRIPTION**

FIG. 1 is a perspective view of a thimble for needle work according to my design;

FIG. 2 is a front view thereof;

FIG. 3 is a top view thereof;

FIG. 4 is a bottom view thereof;

FIG. 5 is a rear view thereof;

FIG. 6 is a cross sectional view thereof, taken at line 6—6 in FIG. 2; and,

FIG. 7 is a perspective view thereof showing the thimble in the condition of use.

The broken lines in FIG. 7 represent environmental subject matter and form no part of the claimed design.

**1 Claim, 3 Drawing Sheets**

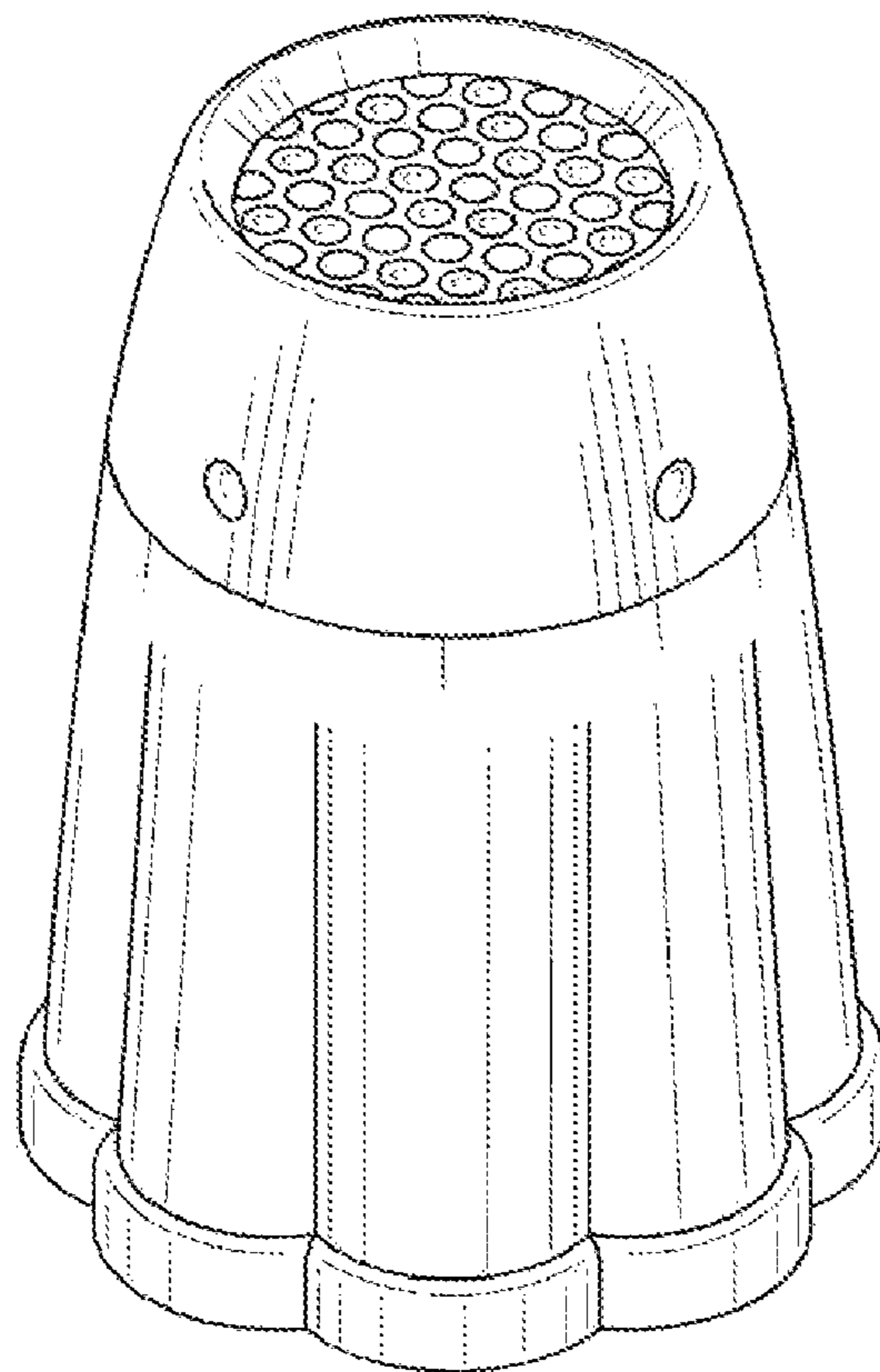


FIG.1

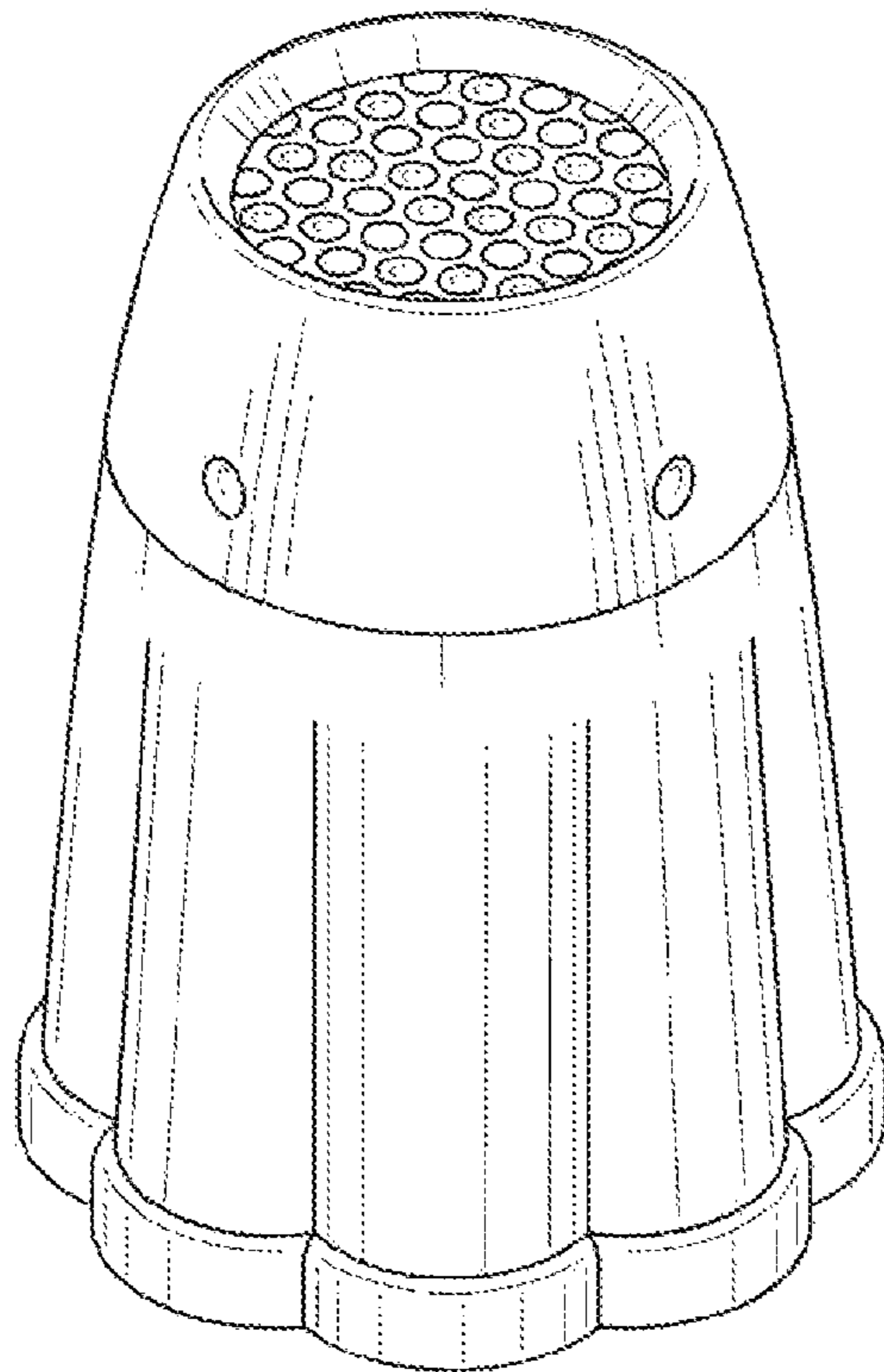


FIG.2

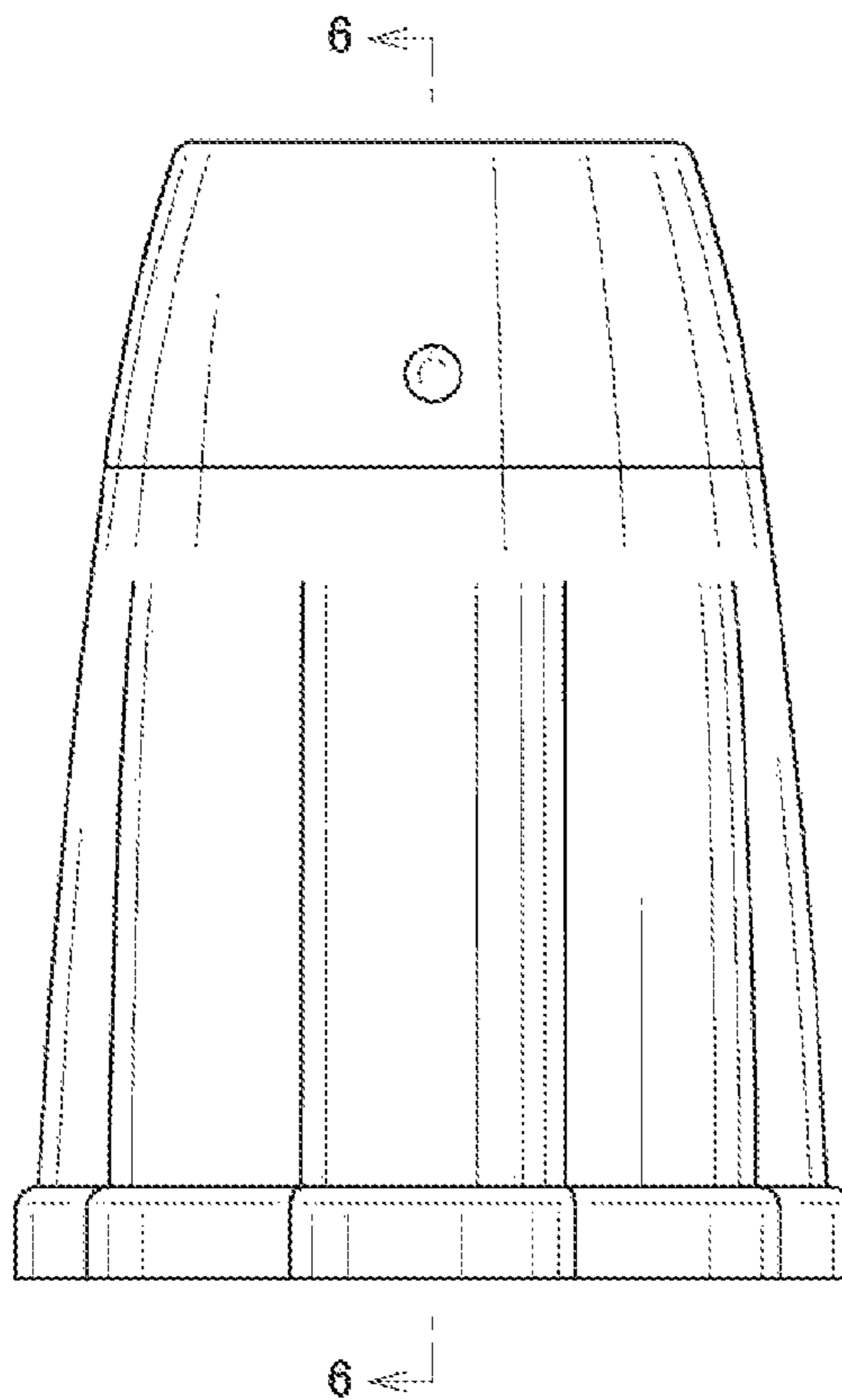


FIG.3

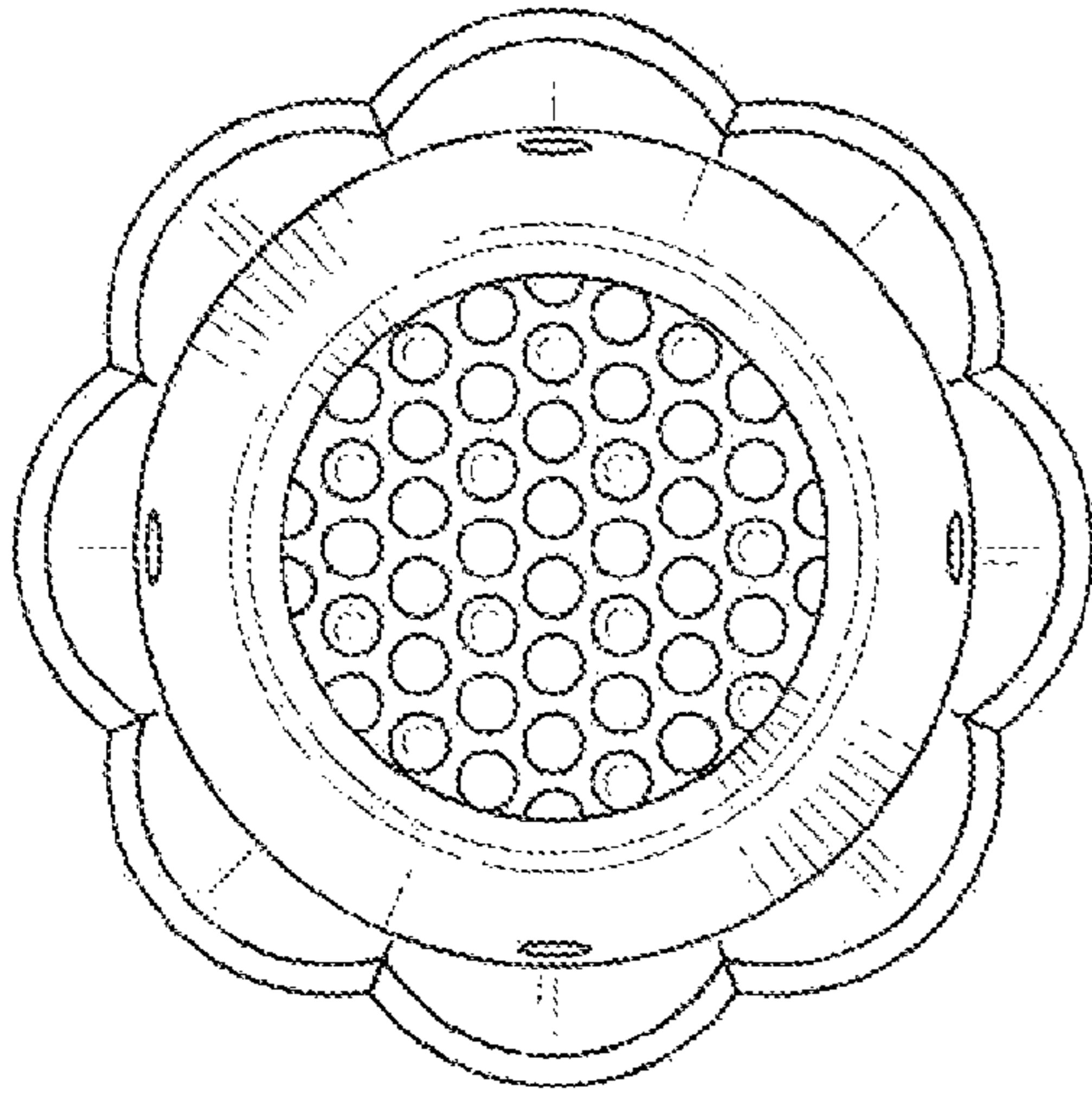


FIG.4

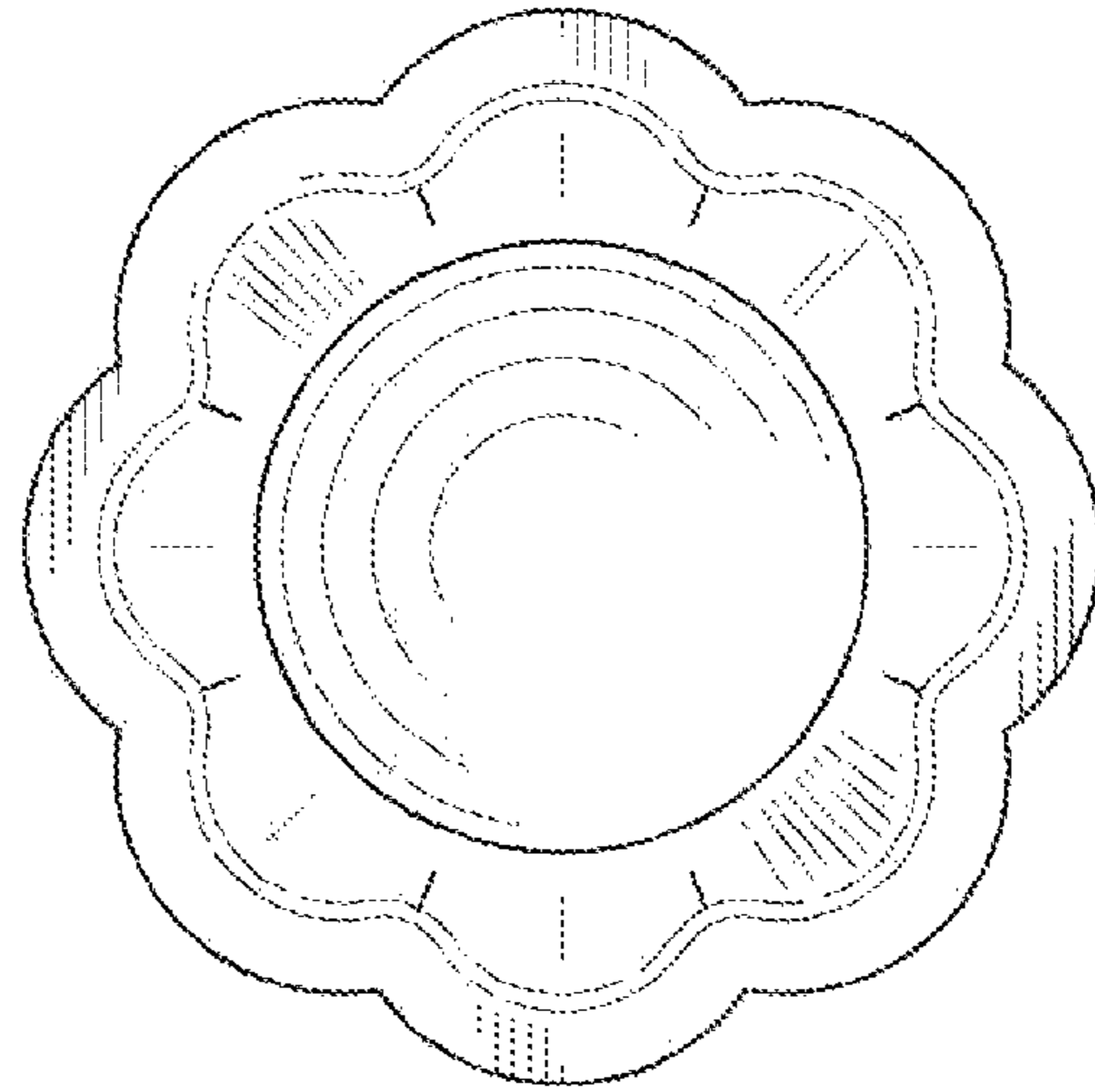


FIG.5

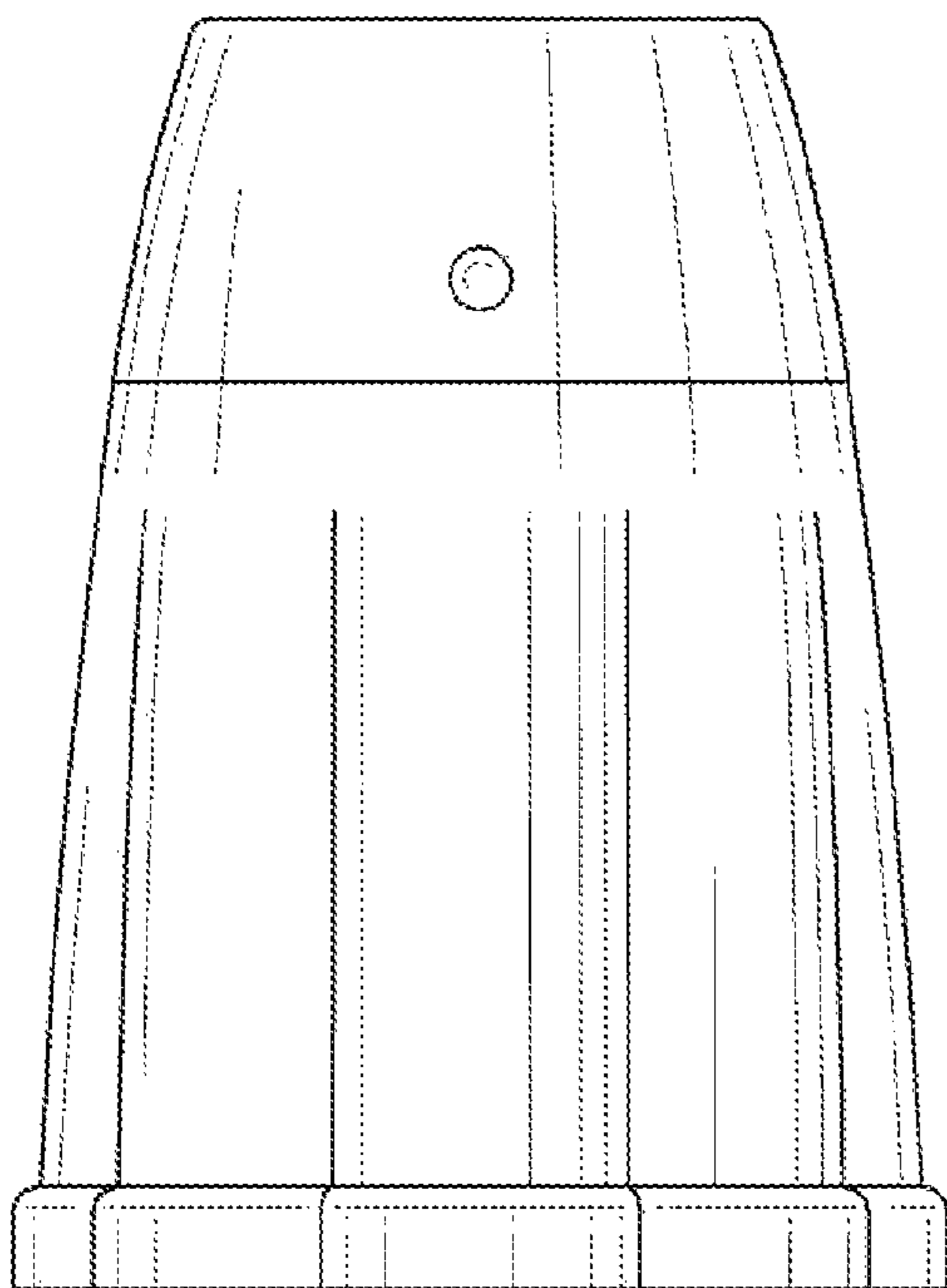


FIG.6

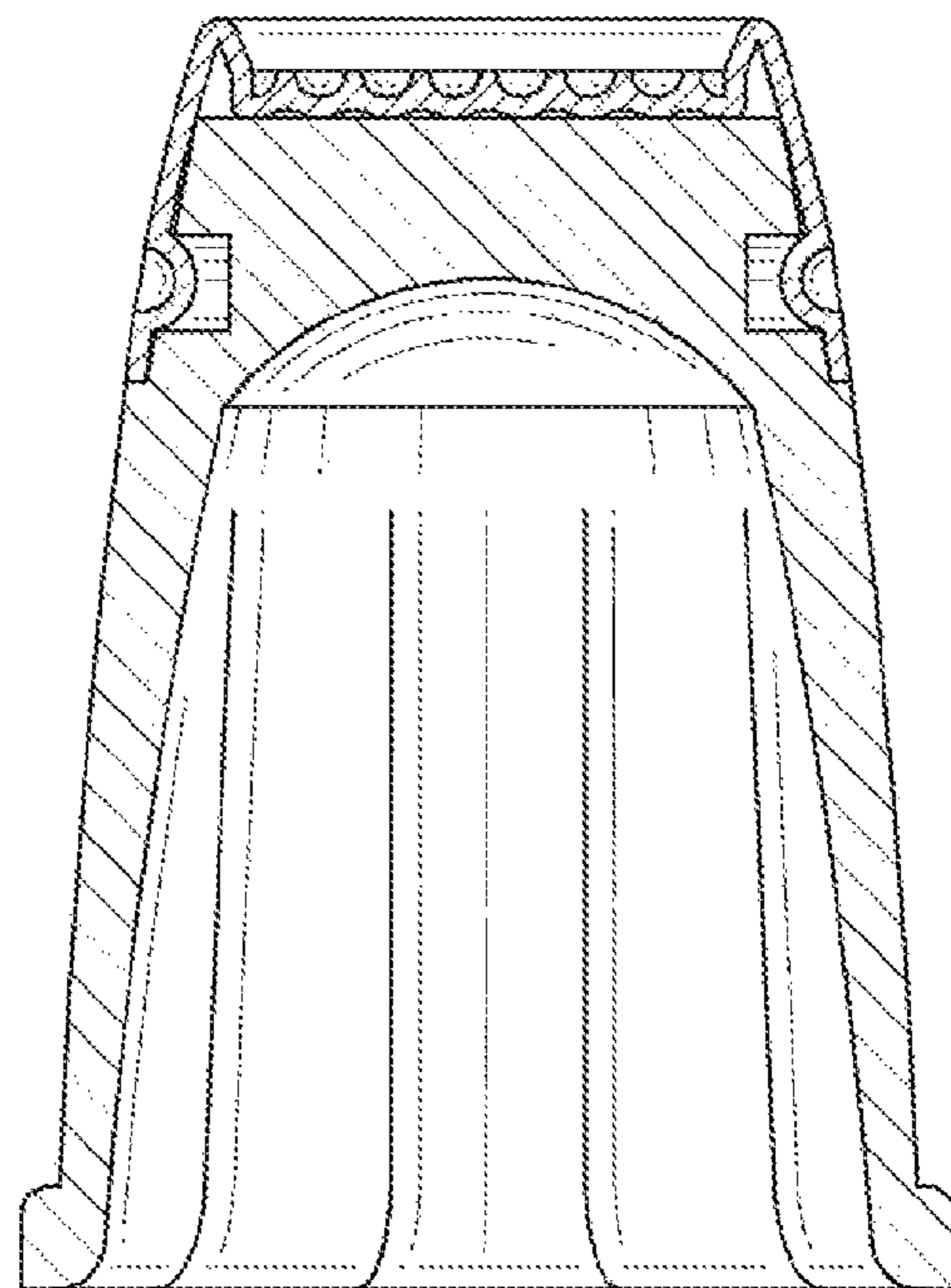


FIG. 7

