



US00D611223S

(12) **United States Design Patent**
Kuhn

(10) **Patent No.:** **US D611,223 S**
(45) **Date of Patent:** **** Mar. 2, 2010**

(54) **CENTRAL PROCESSING UNIT FOR AN
AUTOMATED TELLER MACHINE**

(75) Inventor: **Jason Kuhn**, Painesville, OH (US)

(73) Assignee: **WRG Services, Inc.**, Willoughby, OH
(US)

(**) Term: **14 Years**

(21) Appl. No.: **29/323,935**

(22) Filed: **Sep. 3, 2008**

Related U.S. Application Data

(63) Continuation-in-part of application No. 29/253,976,
filed on Feb. 15, 2006, now abandoned.

(51) **LOC (9) Cl.** **20-01**

(52) **U.S. Cl.** **D99/28**

(58) **Field of Classification Search** D99/28,
D99/34-43, 99; D18/3.1-3.3, 4.6; D14/385,
D14/399, 448, 454, 173, 307, 901, 146, 144,
D14/151, 129-130; 235/375-381, 100; 109/2,
109/24.1, 50, 53, 66, 83; 902/8, 9, 15, 20-21,
902/30; 361/681, 683, 686, 687, 694; D6/397,
D6/573, 634; 713/194

See application file for complete search history.

(56) **References Cited**

U.S. PATENT DOCUMENTS

D241,450 S * 9/1976 King et al. D99/28
D289,819 S * 5/1987 Long D99/28
D295,175 S * 4/1988 Long D18/4.6
D302,621 S * 8/1989 Nishida D99/28
D302,973 S * 8/1989 Nishida D14/387

D309,052 S * 7/1990 Feger et al. D99/28
D327,877 S * 7/1992 Martin D18/4.6
D393,527 S * 4/1998 Ohki et al. D99/28
D428,046 S * 7/2000 Berger D18/4.6
D569,899 S * 5/2008 Dahl D18/4.6
D577,762 S * 9/2008 Nelson et al. D18/4.6
D588,630 S * 3/2009 Erzen et al. D18/4.6
D589,048 S * 3/2009 Nossek D14/455
2007/0204173 A1 * 8/2007 Kuhn 713/194

* cited by examiner

Primary Examiner—Philip S Hyder

Assistant Examiner—Susan E Krakower

(74) *Attorney, Agent, or Firm*—Renner, Otto, Boisselle &
Sklar, LLP

(57) **CLAIM**

I claim the ornamental design for a central processing unit for
an automated teller machine, as shown and described.

DESCRIPTION

FIG. 1 is a front, right side perspective view of a central
processing unit for an automated teller machine;

FIG. 2 is a back elevation view thereof;

FIG. 3 is a bottom plan view thereof;

FIG. 4 is a front elevation view thereof;

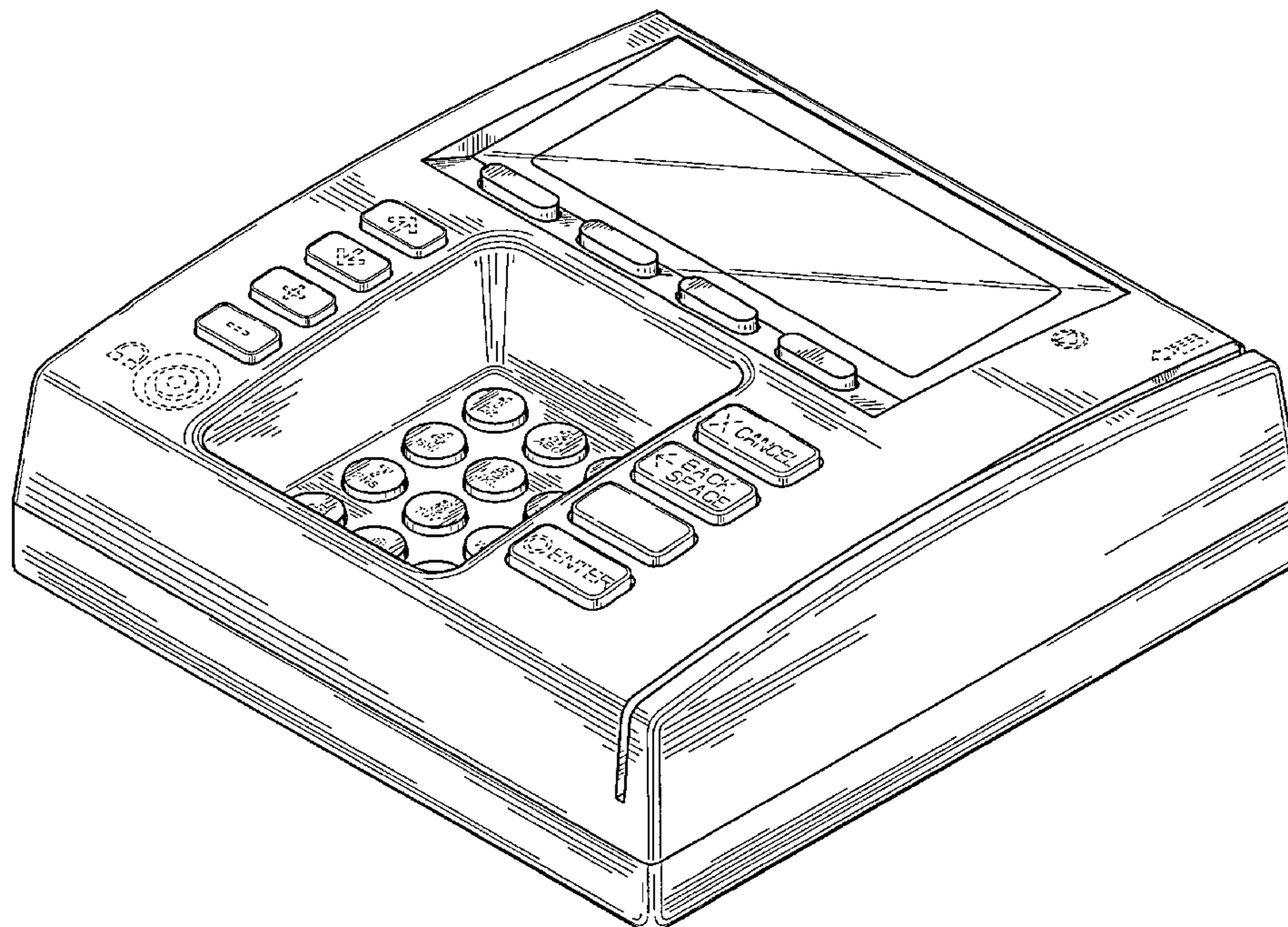
FIG. 5 is a side view thereof;

FIG. 6 is an opposite side view thereof; and,

FIG. 7 is a top plan view thereof.

The broken lines illustrate surface indicia and portions of the
central processing unit for an automated teller machine which
forms no part of the claimed design.

1 Claim, 7 Drawing Sheets



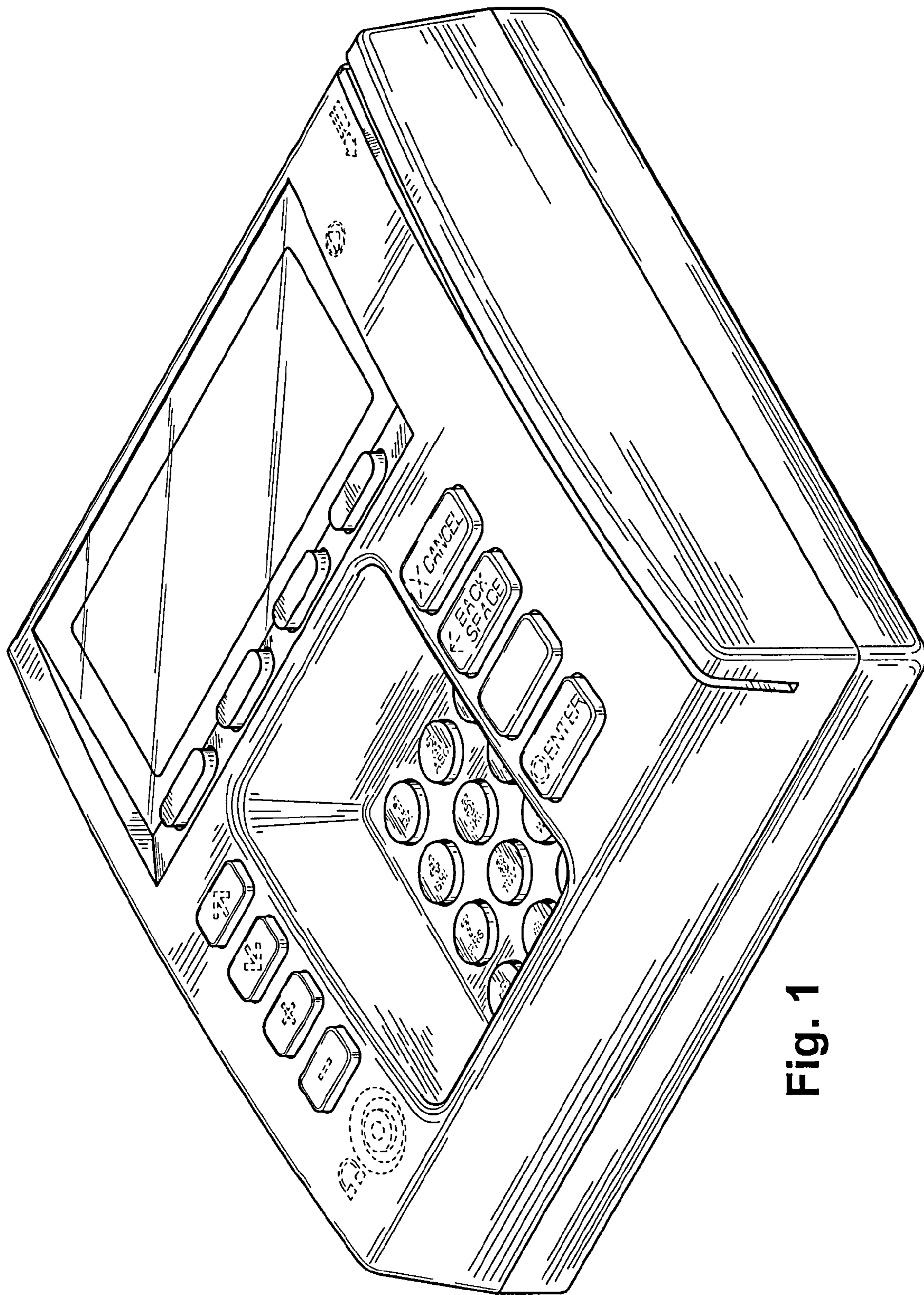


Fig. 1

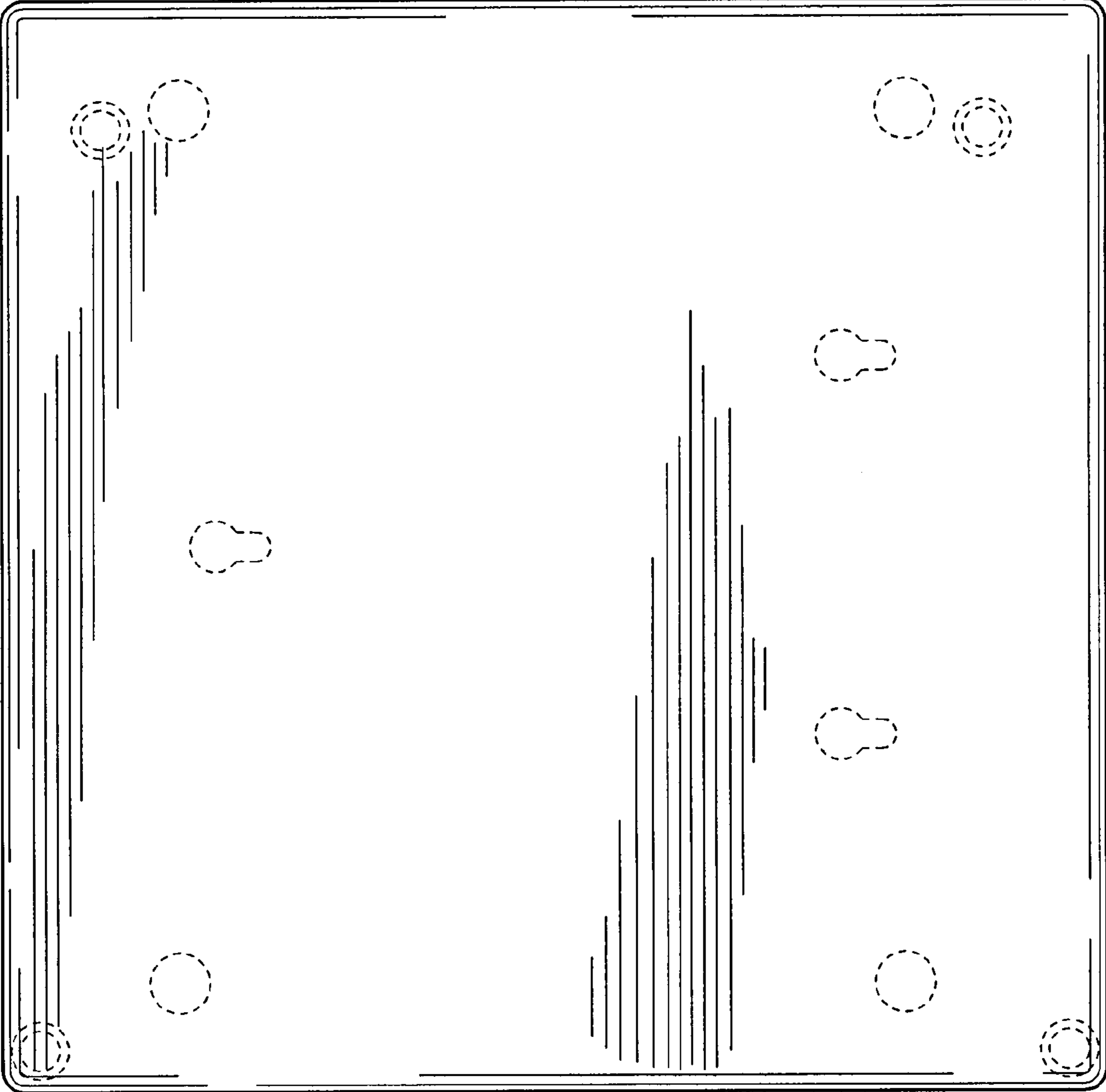


Fig. 2



Fig. 3

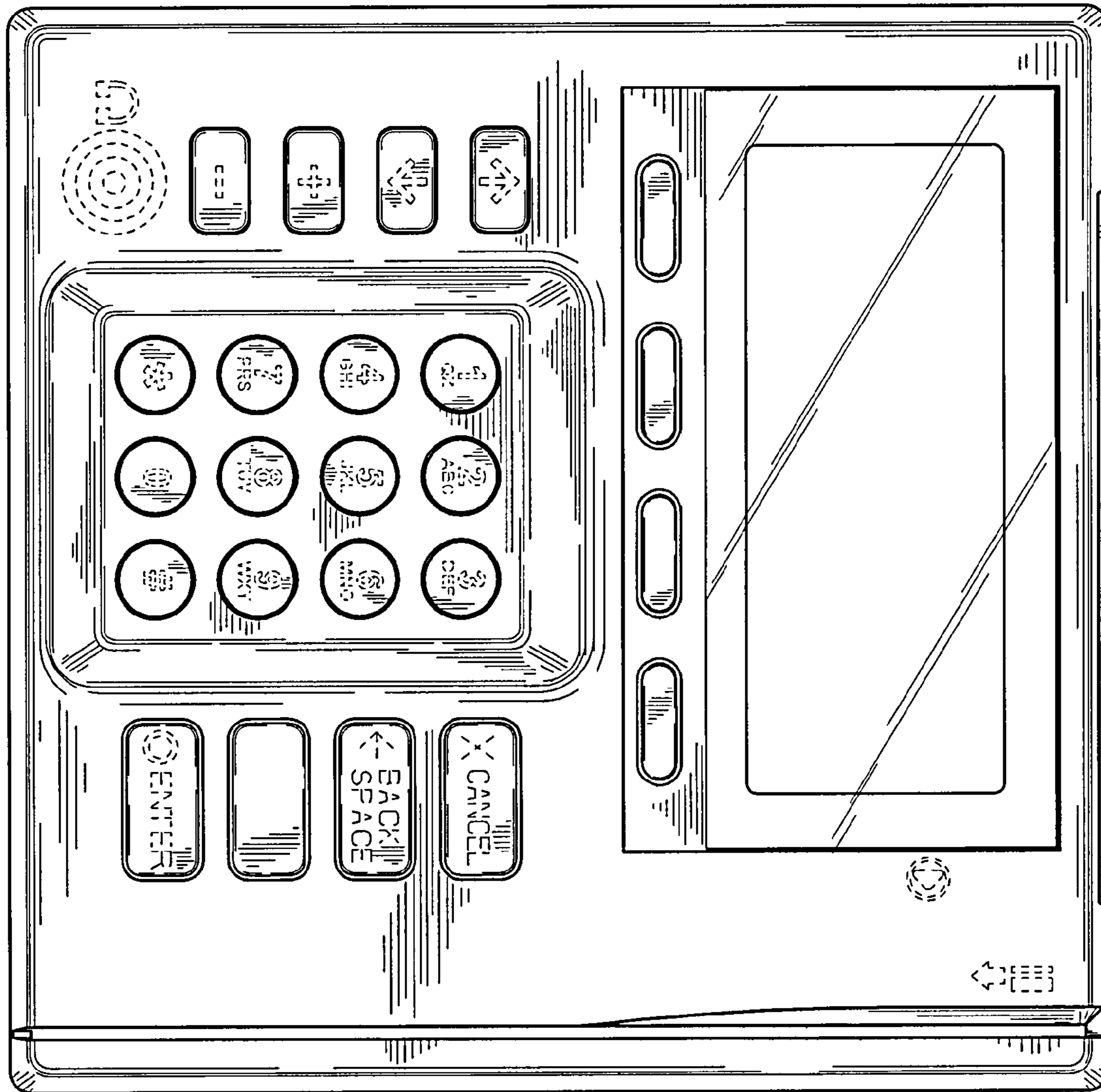


Fig. 4

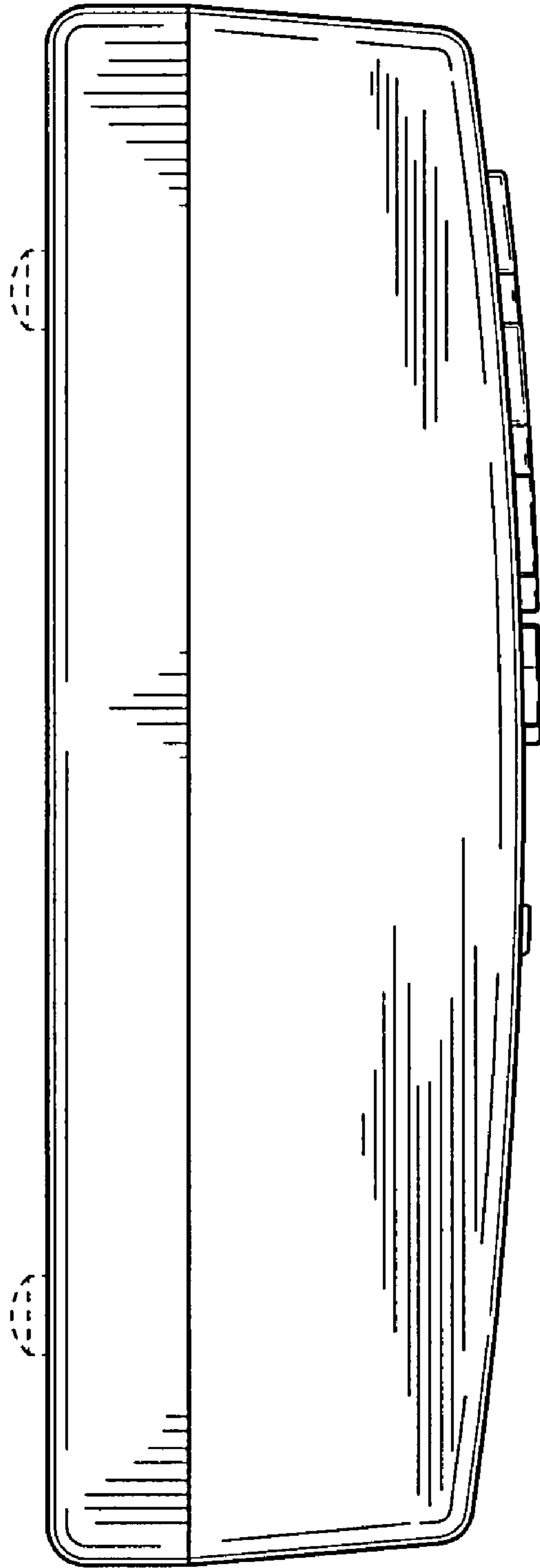


Fig. 5

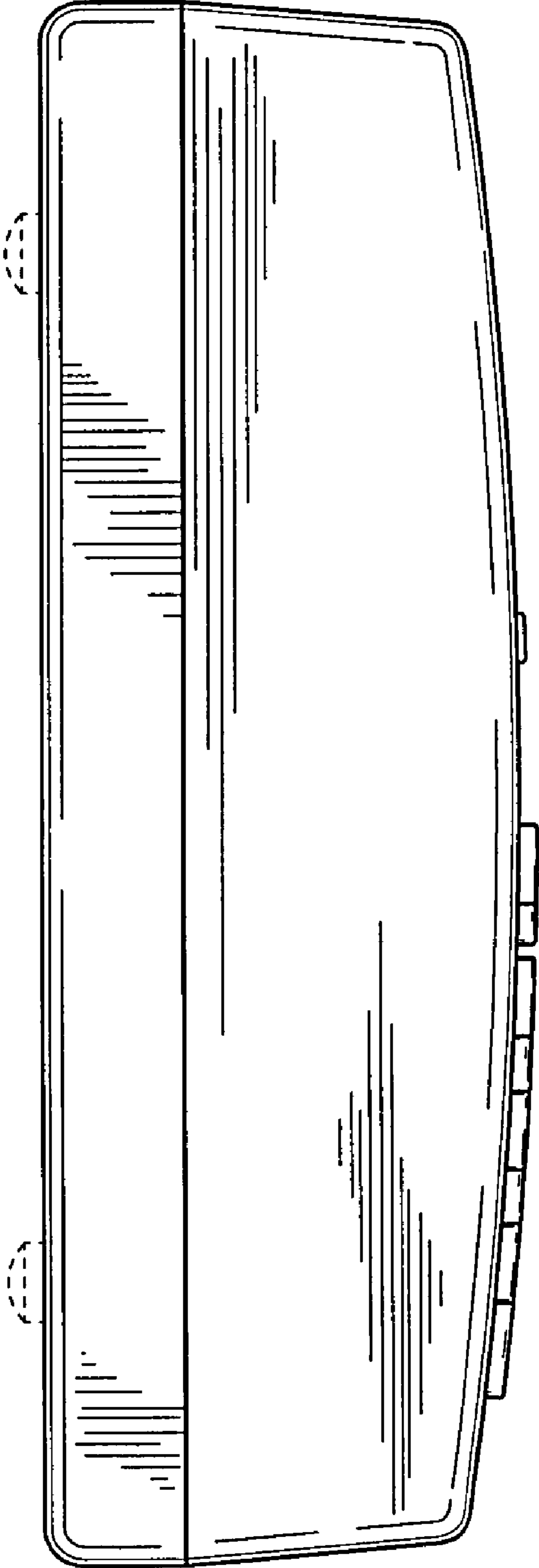


Fig. 6

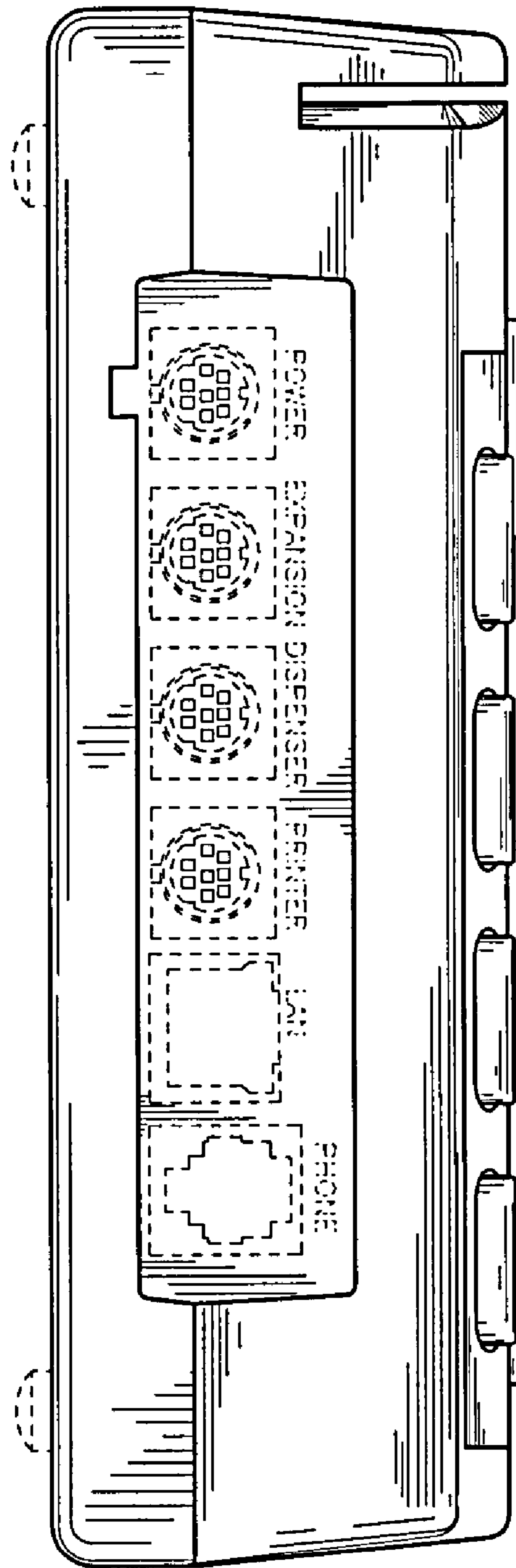


Fig. 7