

US00D611220S

(12) **United States Design Patent**  
**Mori et al.**

(10) **Patent No.:** **US D611,220 S**  
(45) **Date of Patent:** **\*\* Mar. 2, 2010**

(54) **FORKLIFT TRUCK**

(75) Inventors: **Hiroki Mori**, Kariya (JP); **Tomomichi Miura**, Kariya (JP); **Masanori Shinoda**, Kariya (JP); **Takahito Miyake**, Kariya (JP)

(73) Assignee: **Kabushiki Kaisha Toyota Jidoshokki**, Kariya-Shi (JP)

(\*\*) Term: **14 Years**

(21) Appl. No.: **29/266,916**

(22) Filed: **Sep. 29, 2006**

(30) **Foreign Application Priority Data**

Mar. 31, 2006	(JP)	.....	2006-008551
Mar. 31, 2006	(JP)	.....	2006-008552
Mar. 31, 2006	(JP)	.....	2006-008553
Mar. 31, 2006	(JP)	.....	2006-008554
Mar. 31, 2006	(JP)	.....	2006-008555

(51) **LOC (9) Cl.** ..... **12-05**

(52) **U.S. Cl.** ..... **D34/34**

(58) **Field of Classification Search** ..... D34/34,  
D34/35, 37; 180/89.12, 89.13, 89.17; 187/222,  
187/237, 238, 414

See application file for complete search history.

(56) **References Cited**

**U.S. PATENT DOCUMENTS**

D412,385	S *	7/1999	Murakami et al.	.....	D34/34
D427,409	S *	6/2000	Sato et al.	.....	D34/34
D444,607	S *	7/2001	Yurushi et al.	.....	D34/34
D448,136	S *	9/2001	Yurushi et al.	.....	D34/34
D452,598	S *	12/2001	Sato	.....	D34/34
D464,784	S *	10/2002	Sato	.....	D34/35
D466,669	S *	12/2002	Kraimer et al.	.....	D34/34
D468,885	S *	1/2003	Salin et al.	.....	D34/34
D471,340	S *	3/2003	Shibata et al.	.....	D34/34
D471,689	S *	3/2003	Shibata et al.	.....	D34/34
D492,831	S *	7/2004	Kouyama	.....	D34/34
D518,268	S *	3/2006	Stark	.....	D34/34

D526,460	S *	8/2006	Goto et al.	.....	D34/34
D551,423	S *	9/2007	Kodama et al.	.....	D34/34
D555,872	S *	11/2007	Brown	.....	D34/27
D557,474	S *	12/2007	Kouyama et al.	.....	D34/34

**FOREIGN PATENT DOCUMENTS**

JP 1053353-2 11/1999

**OTHER PUBLICATIONS**

Japanese Office Action dated Jan. 5, 2007, Application No. 2006-008551 (without English translation).

\* cited by examiner

*Primary Examiner*—Cynthia E Ramirez

(74) *Attorney, Agent, or Firm*—Morgan & Finnegan, LLP

(57) **CLAIM**

The ornamental design for a forklift truck, as shown and described.

**DESCRIPTION**

FIG. 1 is a front perspective view of a forklift truck showing our new design;

FIG. 2 is a rear perspective view thereof;

FIG. 3 is a front view thereof;

FIG. 4 is a rear view thereof;

FIG. 5 is a top plan view thereof;

FIG. 6 is a right side elevational view thereof;

FIG. 7 is a left side elevational view thereof;

FIG. 8 is a front perspective view according to a second embodiment of our new design;

FIG. 9 is a rear perspective view thereof;

FIG. 10 is a front view thereof;

FIG. 11 is a rear view thereof;

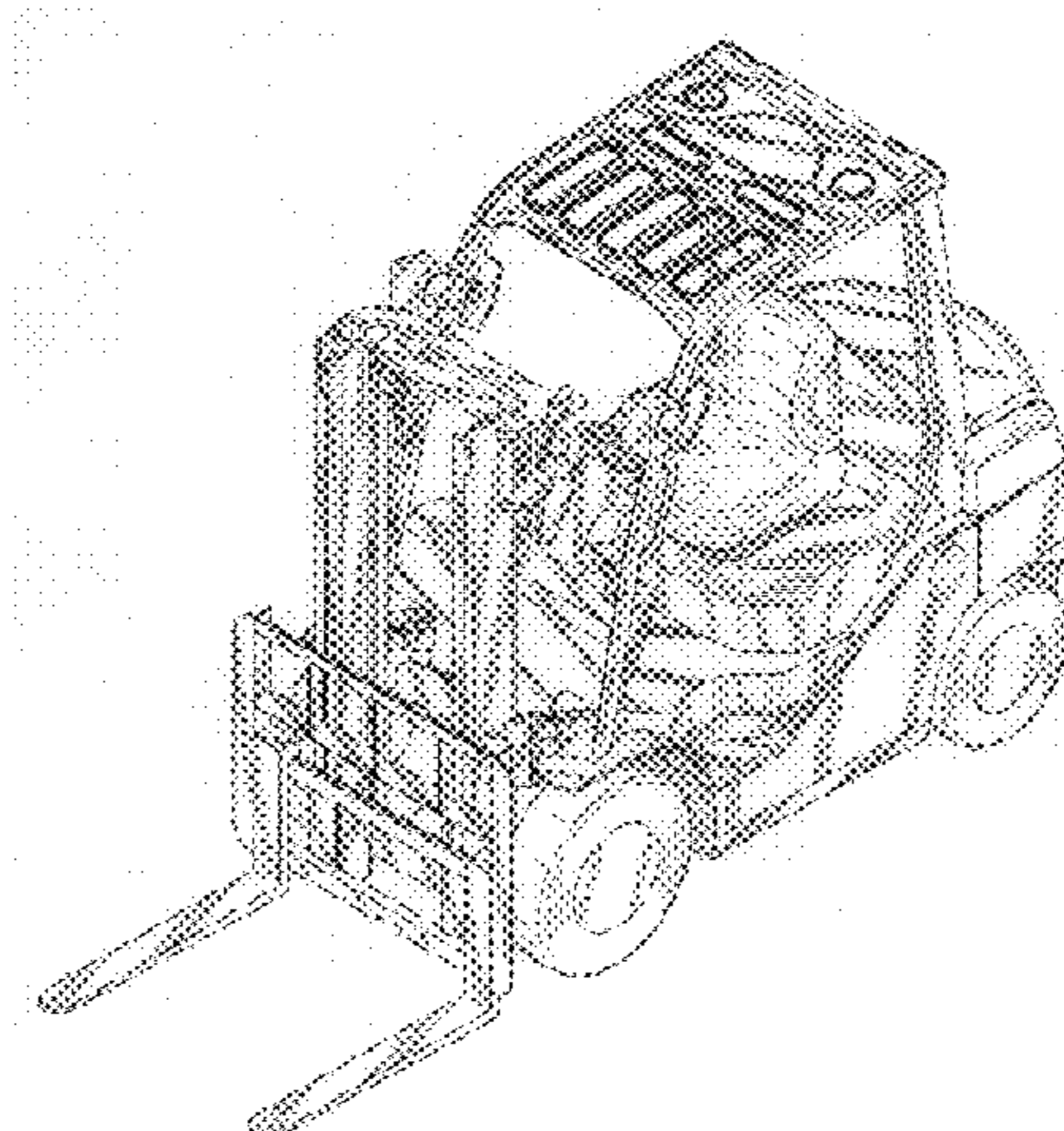
FIG. 12 is a top plan view thereof;

FIG. 13 is a right side elevational view thereof; and,

FIG. 14 is a left side elevational view thereof.

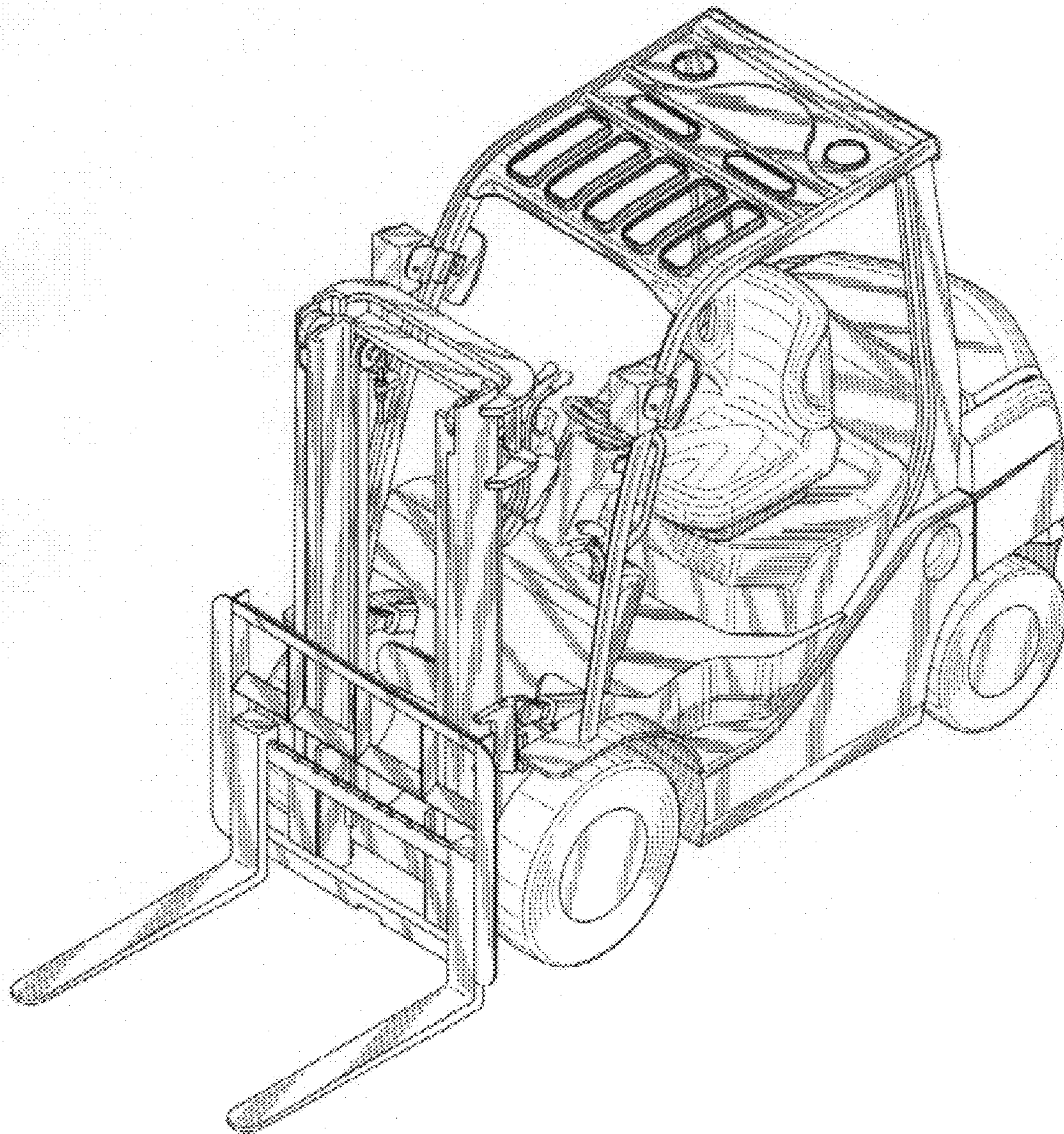
The bottom plan view is omitted since this article is a heavy item.

**1 Claim, 12 Drawing Sheets**





*FIG. 1*





*FIG. 2*

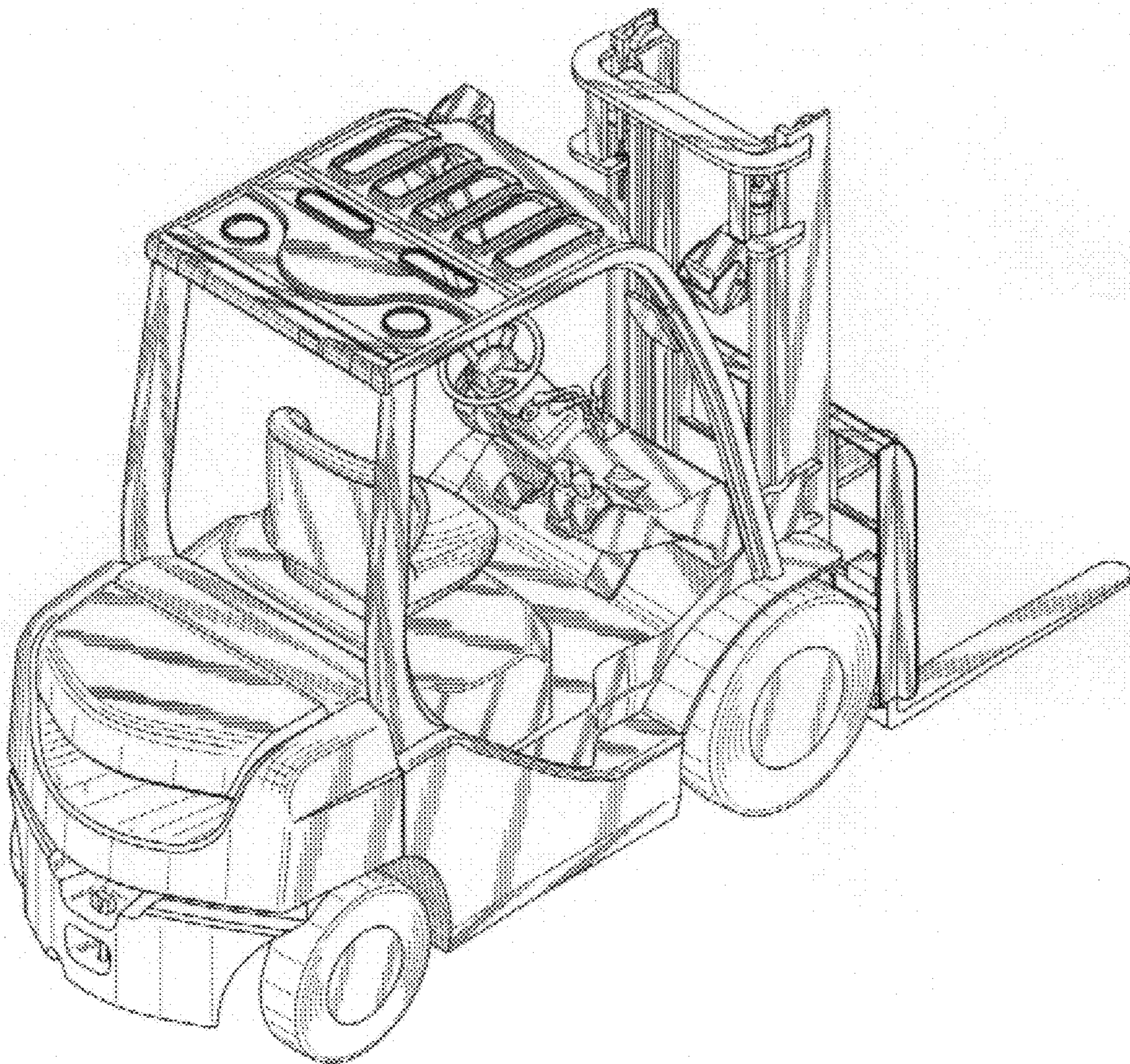
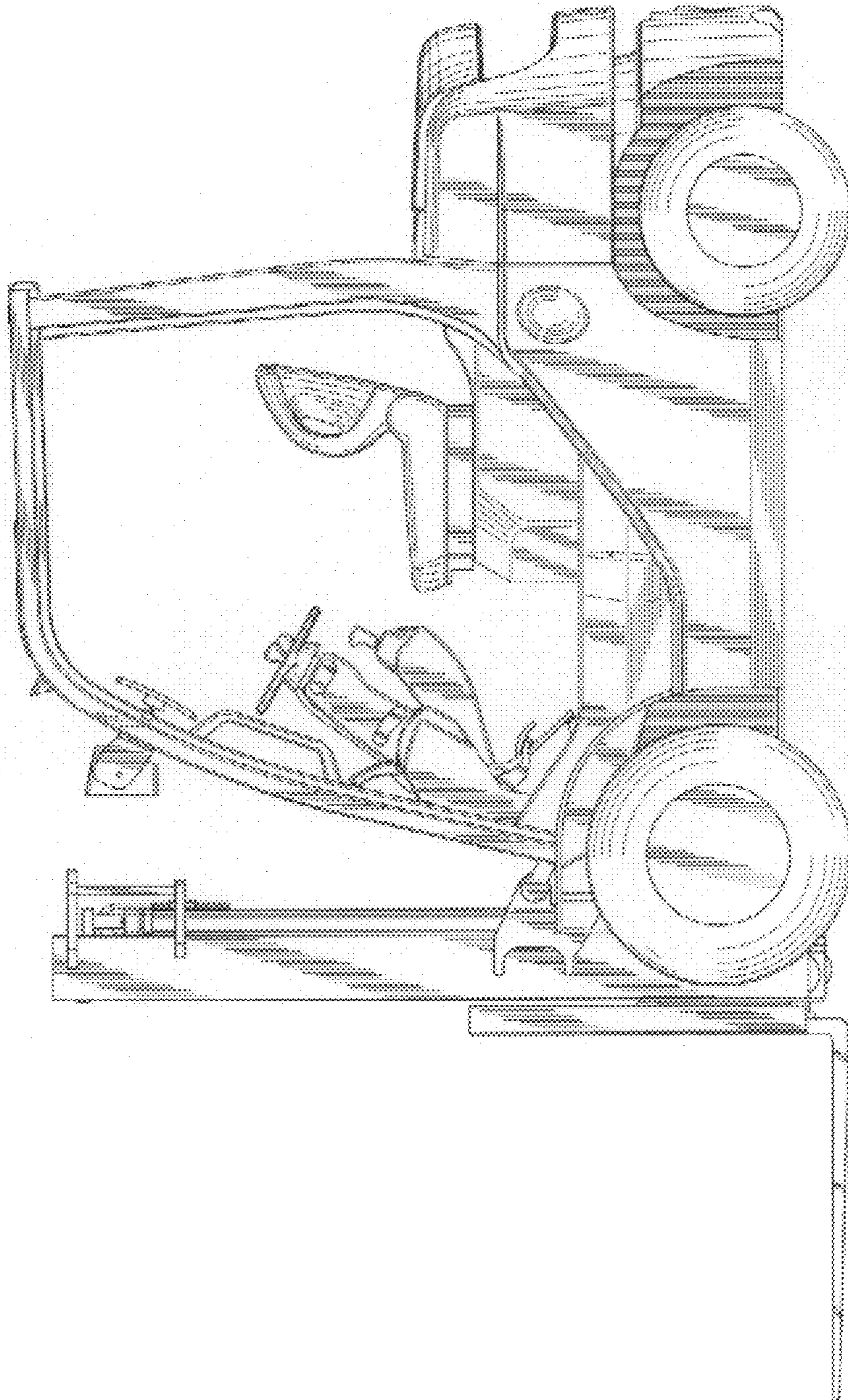


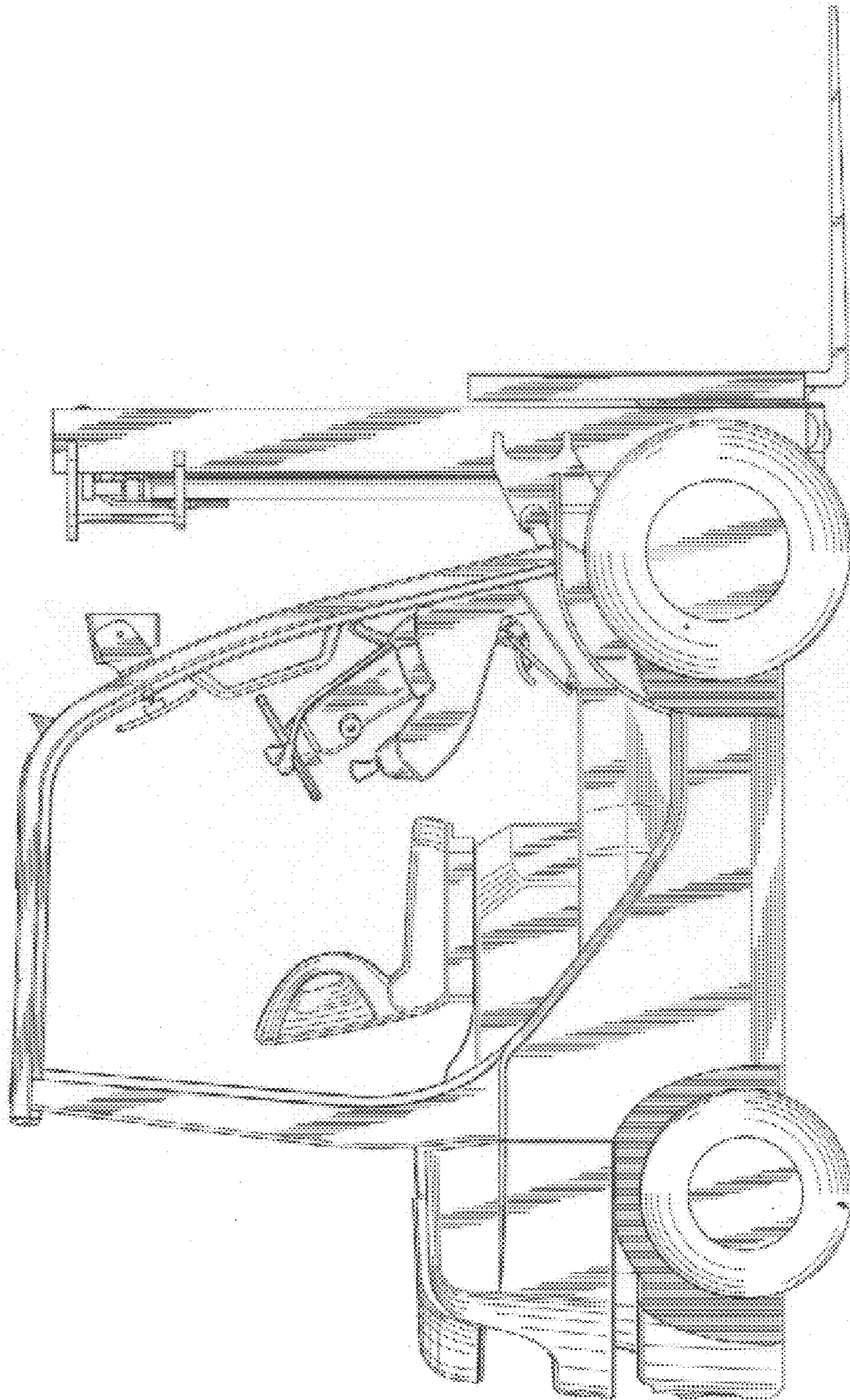


FIG. 3



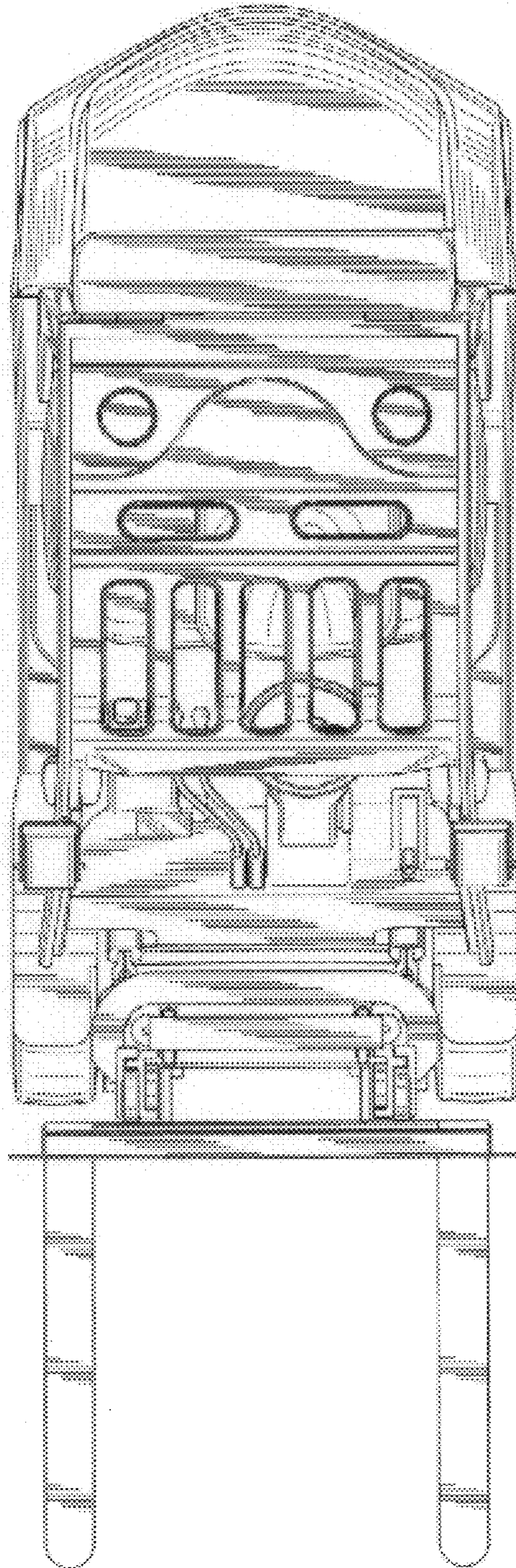


**FIG. 4**



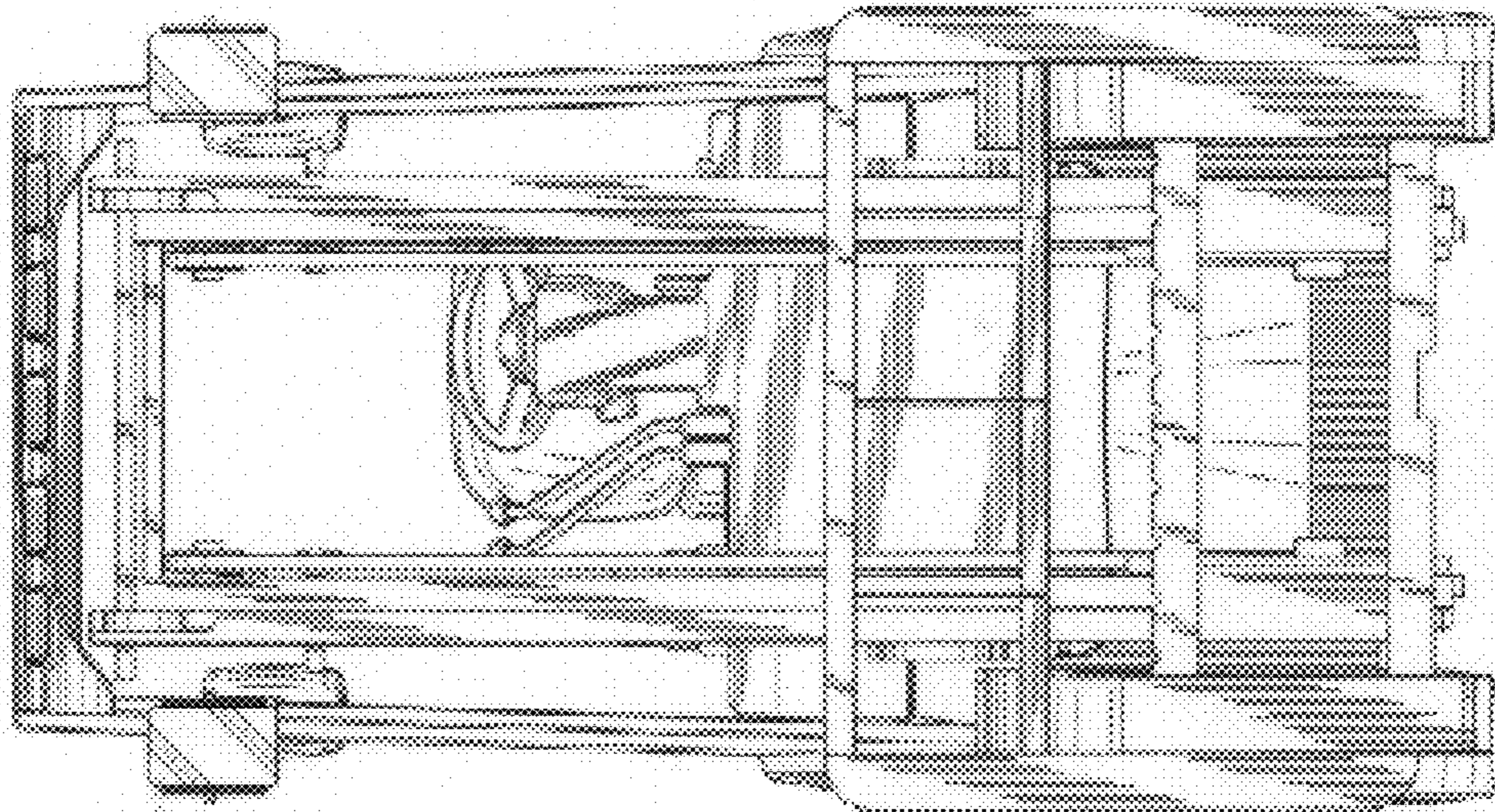


**FIG. 5**

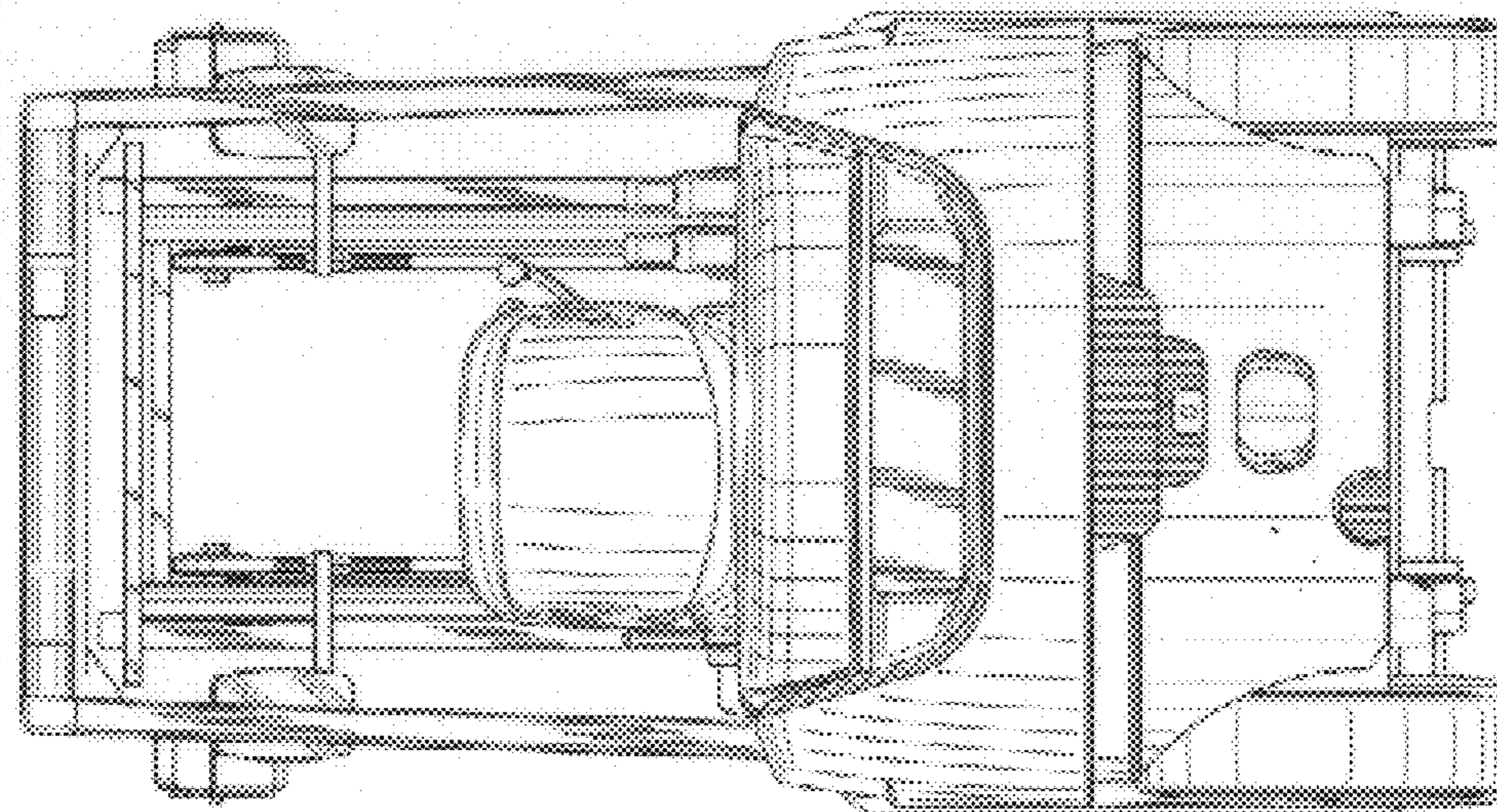




**FIG. 7**

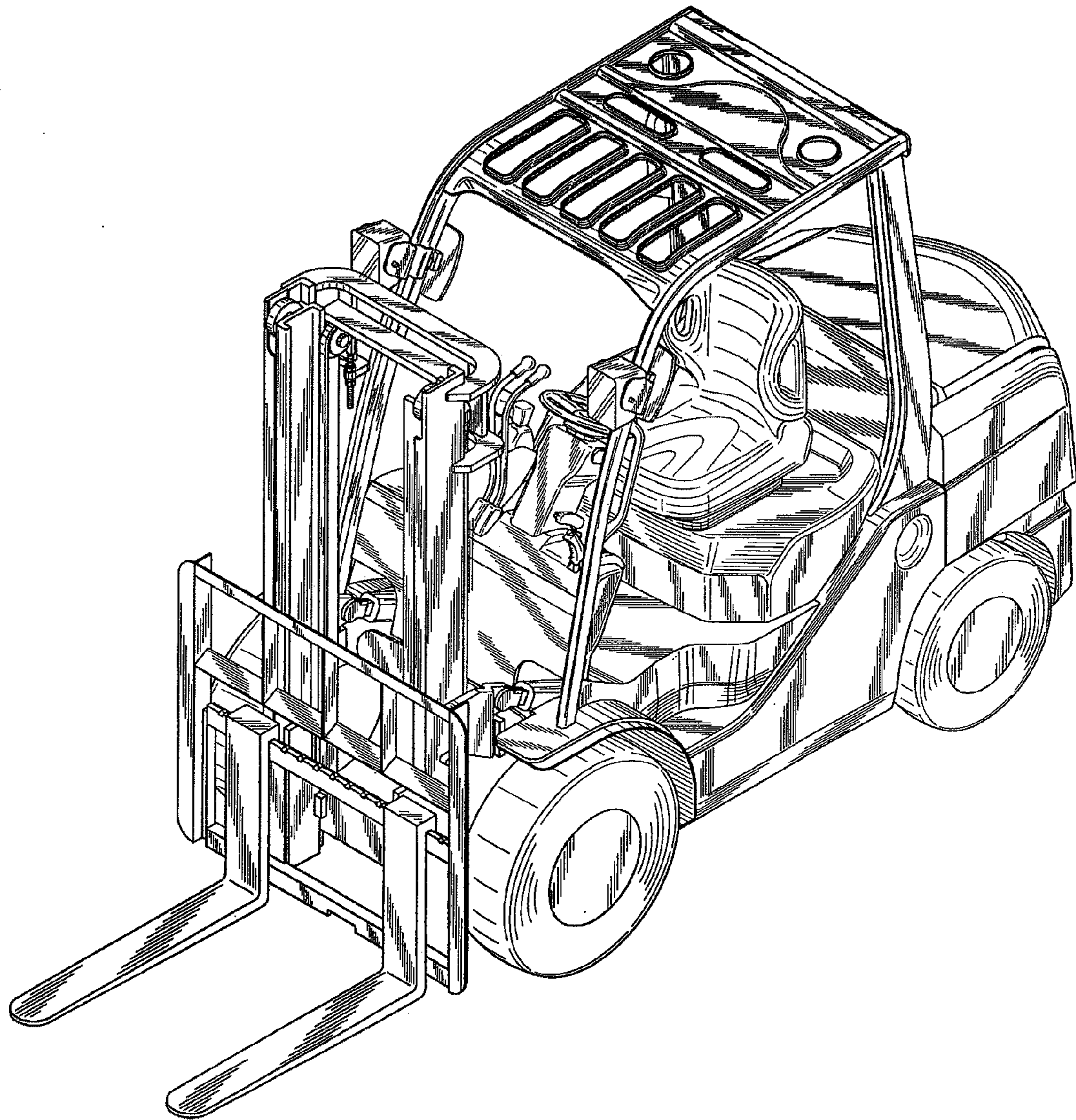


**FIG. 6**



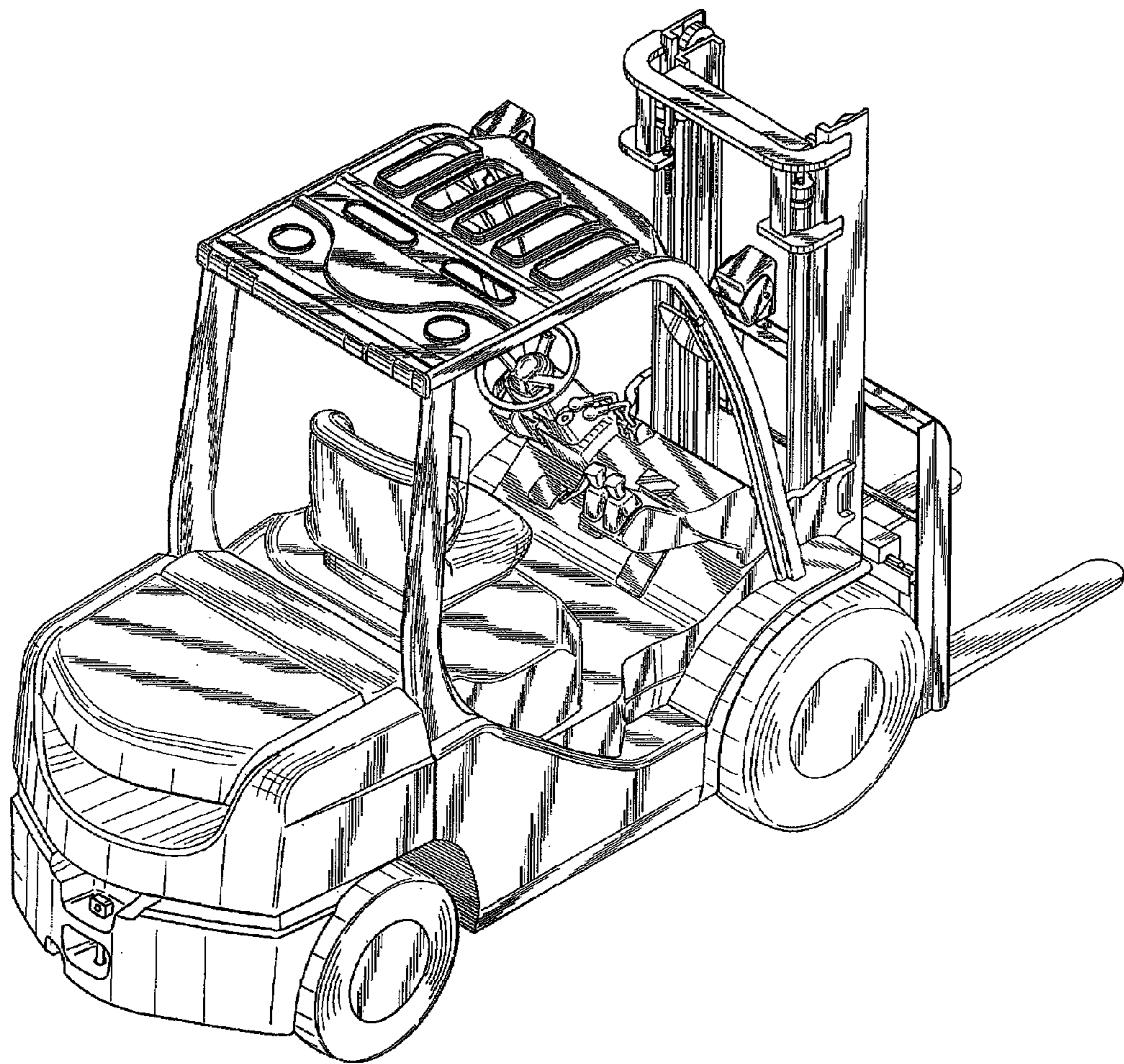


*FIG. 8*



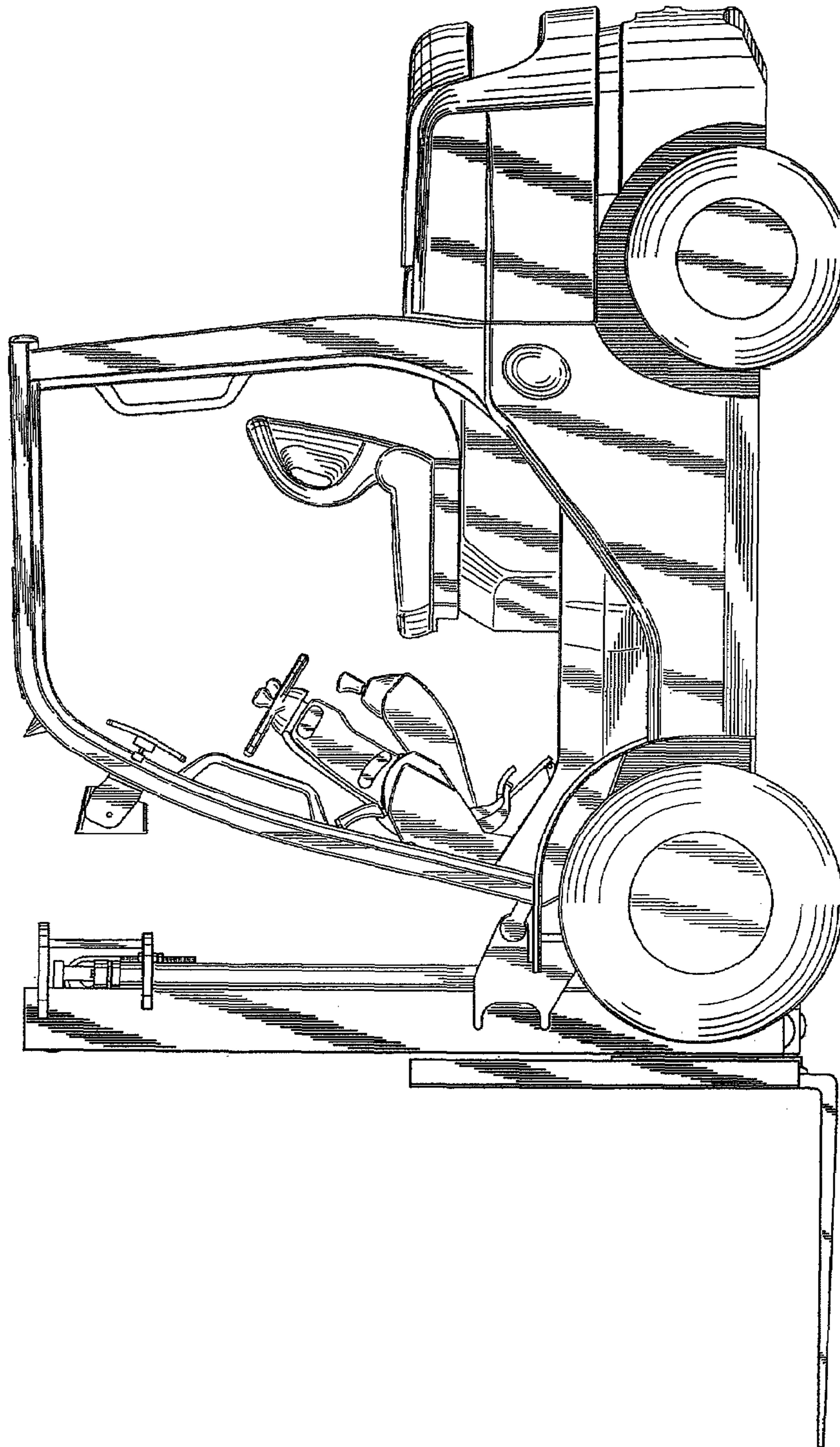


*FIG. 9*



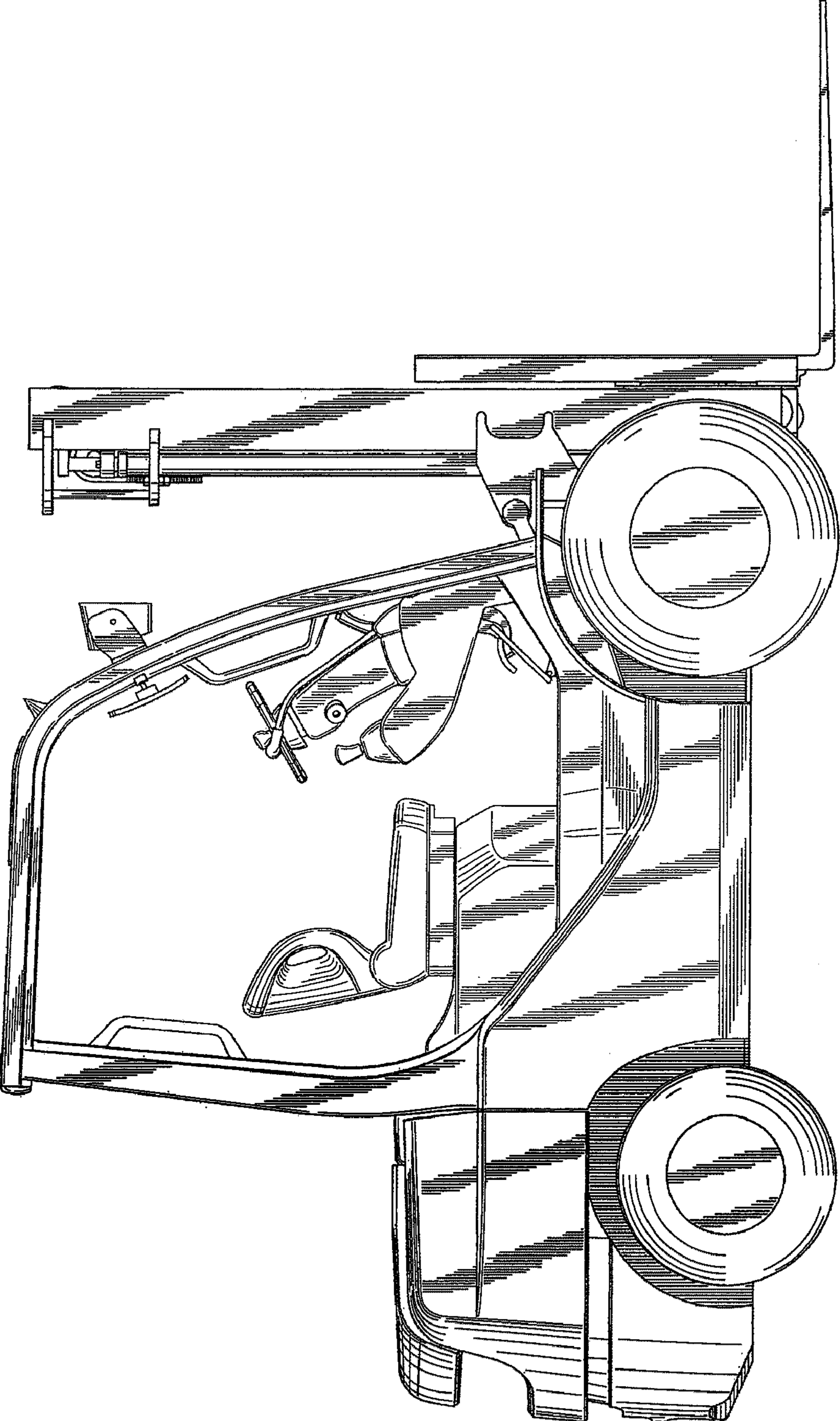


**FIG. 10**



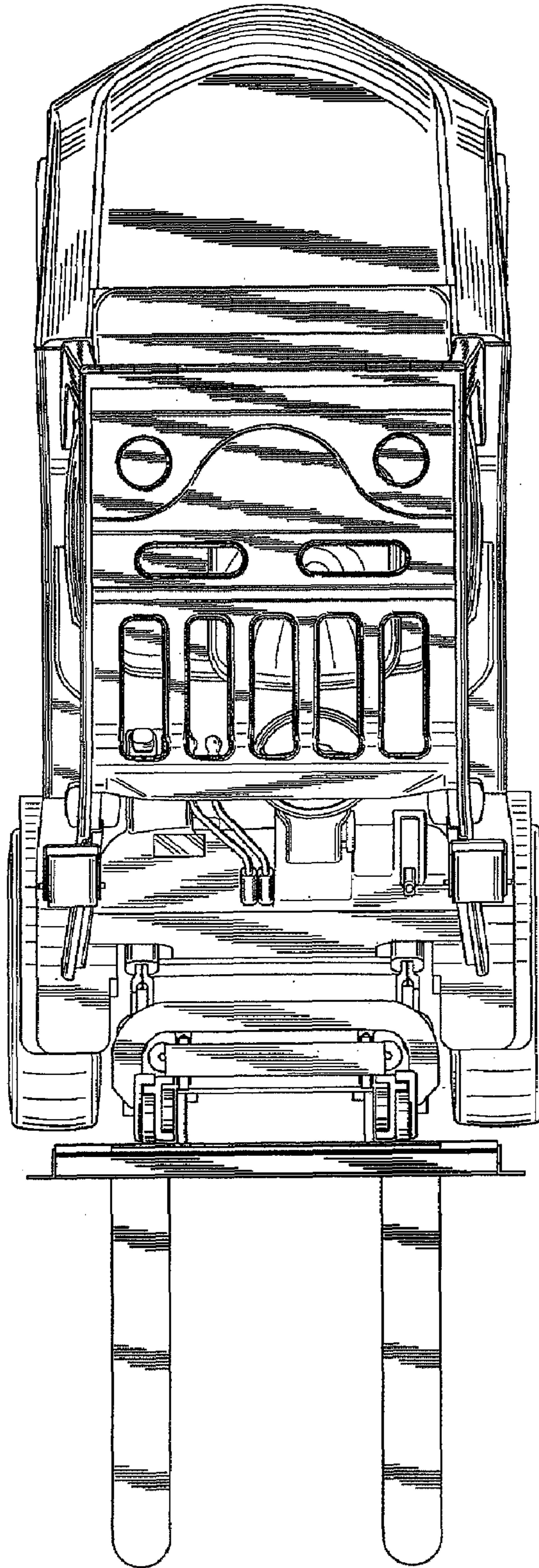


*FIG. 11*



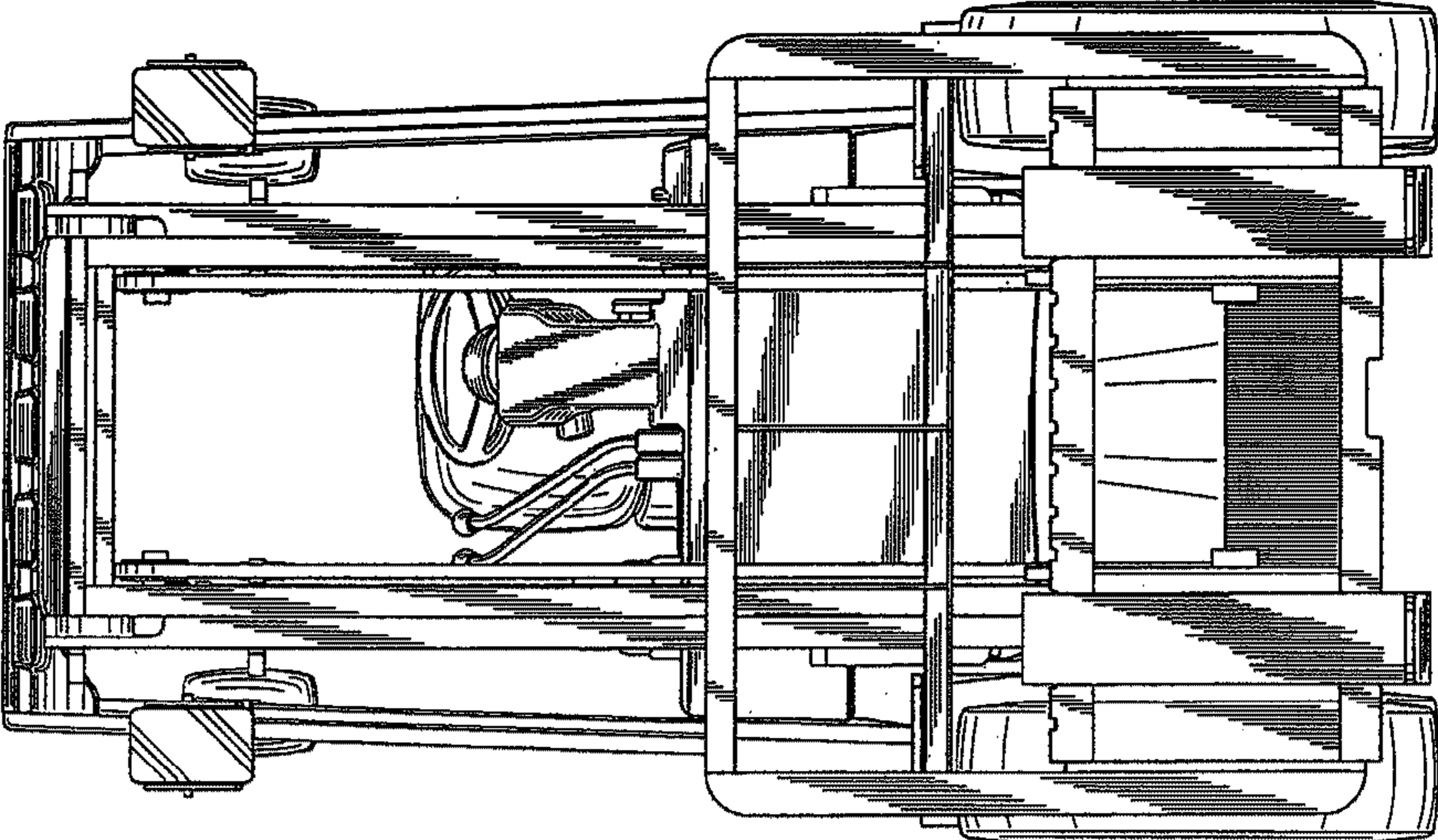


*FIG. 12*





*FIG. 14*



*FIG. 13*

