



US00D611215S

(12) **United States Design Patent**
Miller et al.

(10) **Patent No.:** **US D611,215 S**
(45) **Date of Patent:** **** *Mar. 2, 2010**

(54) **MOP BUCKET**

(75) Inventors: **Jonathan Miller**, Williamsport, PA (US); **Robert L. Crevling, Jr.**, Cogan Station, PA (US); **Melvin E. Wolfe, Jr.**, Johnson City, NY (US); **John Griffin**, Phoenix, AZ (US); **David Martinez**, Williamsport, PA (US)

(73) Assignee: **Shop-Vac**, Williamsport, PA (US)

(*) Notice: This patent is subject to a terminal disclaimer.

(**) Term: **14 Years**

(21) Appl. No.: **29/330,523**

(22) Filed: **Jan. 8, 2009**

(51) **LOC (9) Cl.** **07-07**

(52) **U.S. Cl.** **D32/53**

(58) **Field of Classification Search** D32/53,
D32/53.1, 54; 220/570, 495.01, 495.02,
220/904, 908; 15/260, 264, 257.06

See application file for complete search history.

(56) **References Cited**

U.S. PATENT DOCUMENTS

- D286,096 S * 10/1986 Jaros et al. D32/53.1
- 4,716,619 A * 1/1988 Young 15/262
- D320,295 S * 9/1991 Delmerico D32/53
- 5,414,892 A * 5/1995 Clark, Jr. 15/263
- 5,615,447 A * 4/1997 Hardesty et al. 15/264
- 6,006,397 A * 12/1999 Williams et al. 15/261

- D429,396 S * 8/2000 Houry et al. D32/53
- 6,457,203 B1 * 10/2002 Williams et al. 15/261
- D527,506 S * 8/2006 Camp et al. D32/53
- D536,851 S * 2/2007 Lauer D32/53
- D550,418 S * 9/2007 Weaver et al. D32/53

* cited by examiner

Primary Examiner—Robin V Webster

(74) *Attorney, Agent, or Firm*—Katten Muchin Rosenman, LLP

(57) **CLAIM**

The ornamental design for the mop bucket, as shown and described.

DESCRIPTION

FIG. 1 is a front perspective view of a mop bucket of the present invention;

FIG. 2 is a front elevational view of the present invention;

FIG. 3 is a rear elevational view of the present invention;

FIG. 4 is a right side elevational view of the present invention;

FIG. 5 is a left side elevational view of the present invention;

FIG. 6 is a top plan view of the present invention;

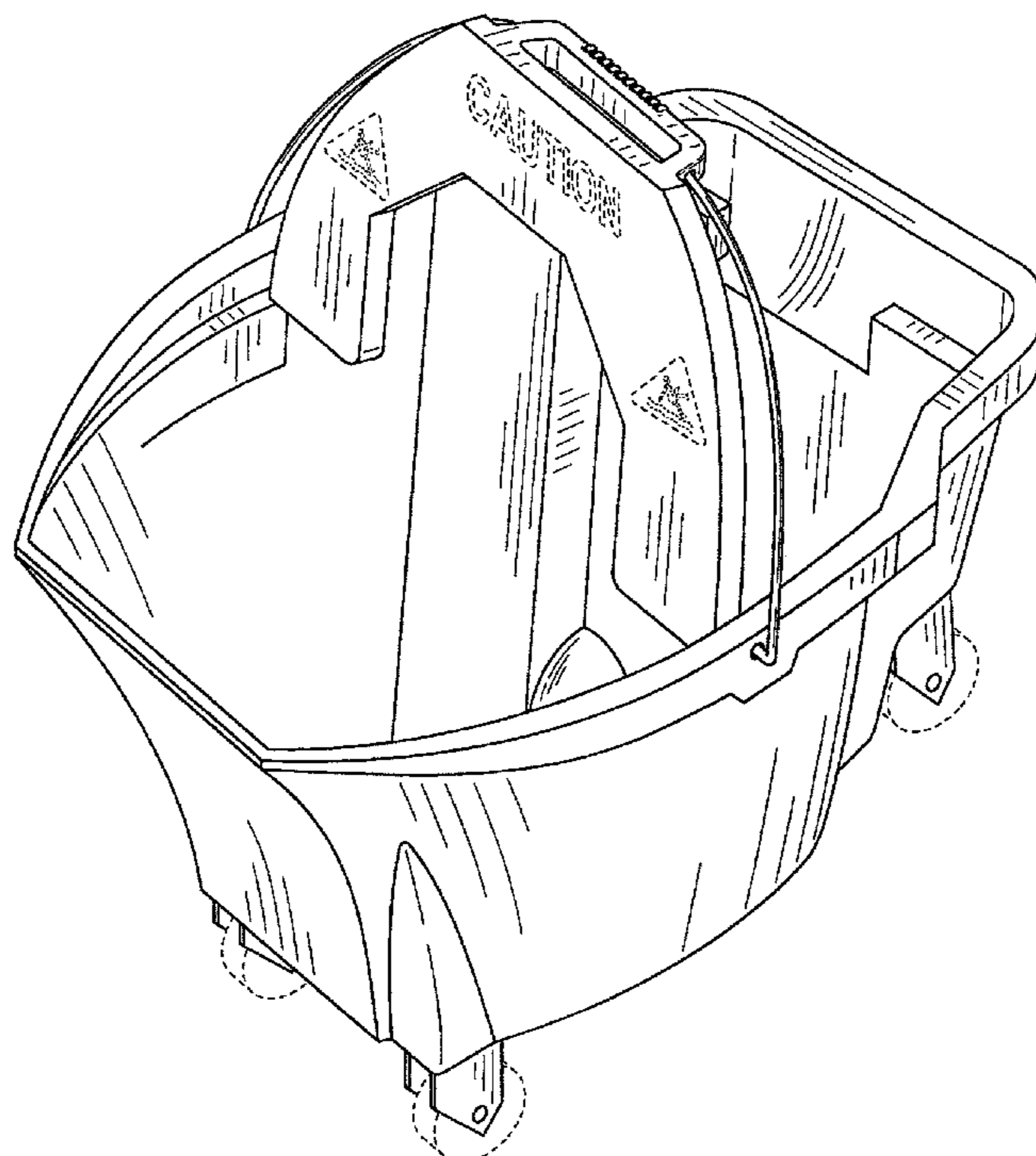
FIG. 7 is a bottom plan view of the present invention;

FIG. 8 is a front perspective view of the present invention with a handle in an up position; and,

FIG. 9 is a front perspective view of the present invention with a warning sign in a deployed position.

The broken lines shown in all the views are for illustrative purposes only and form no part of the claimed design.

1 Claim, 8 Drawing Sheets



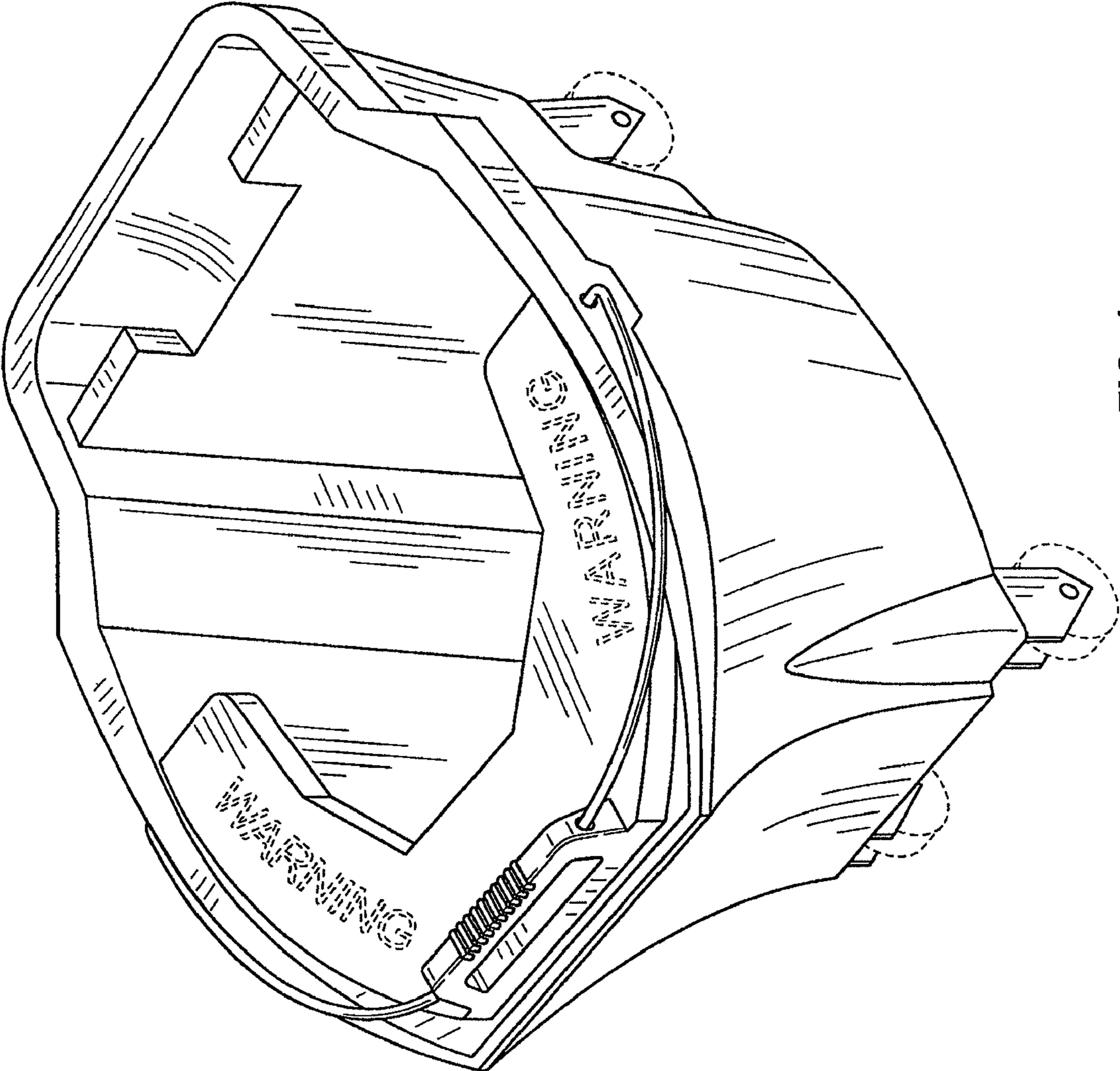


FIG. 1

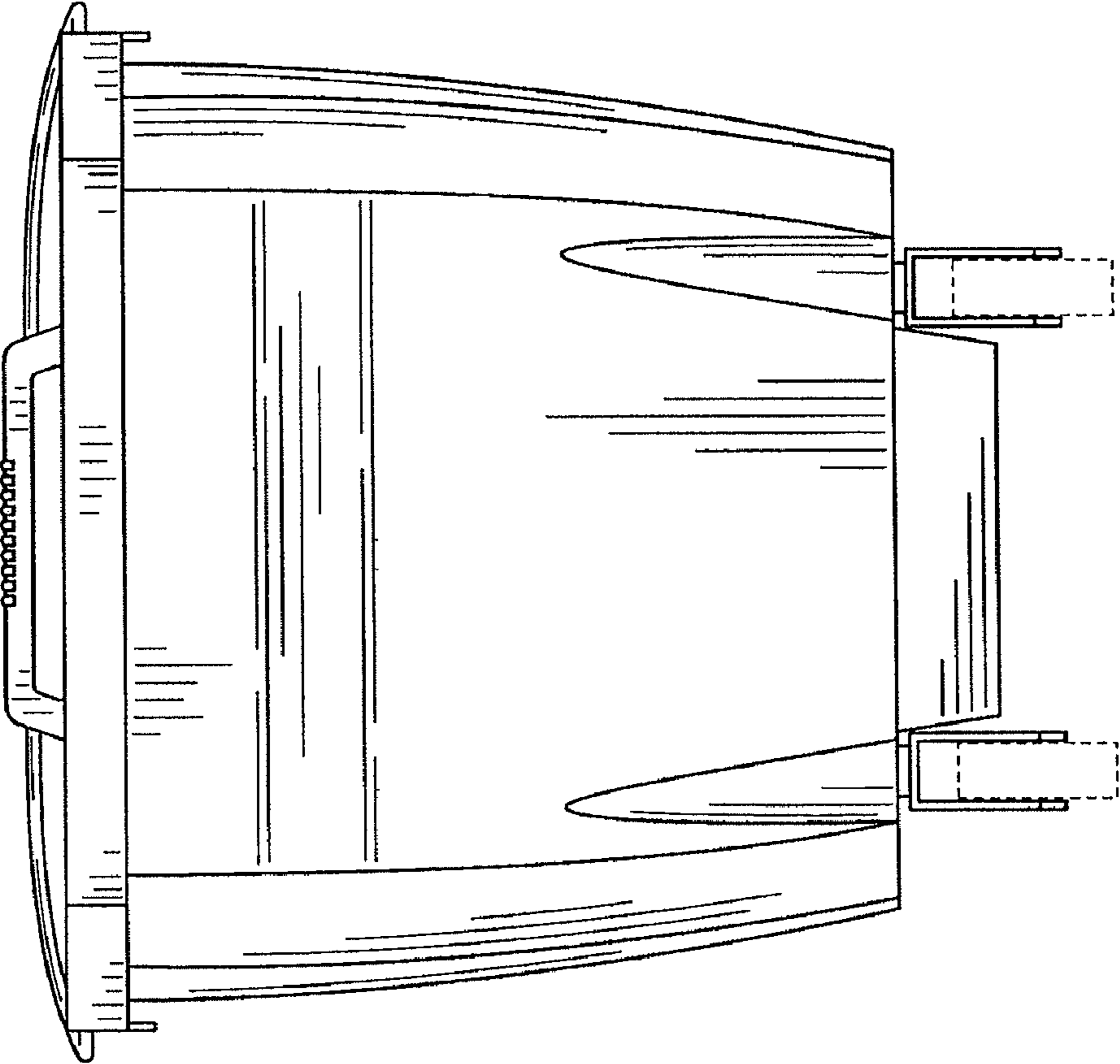


FIG. 2

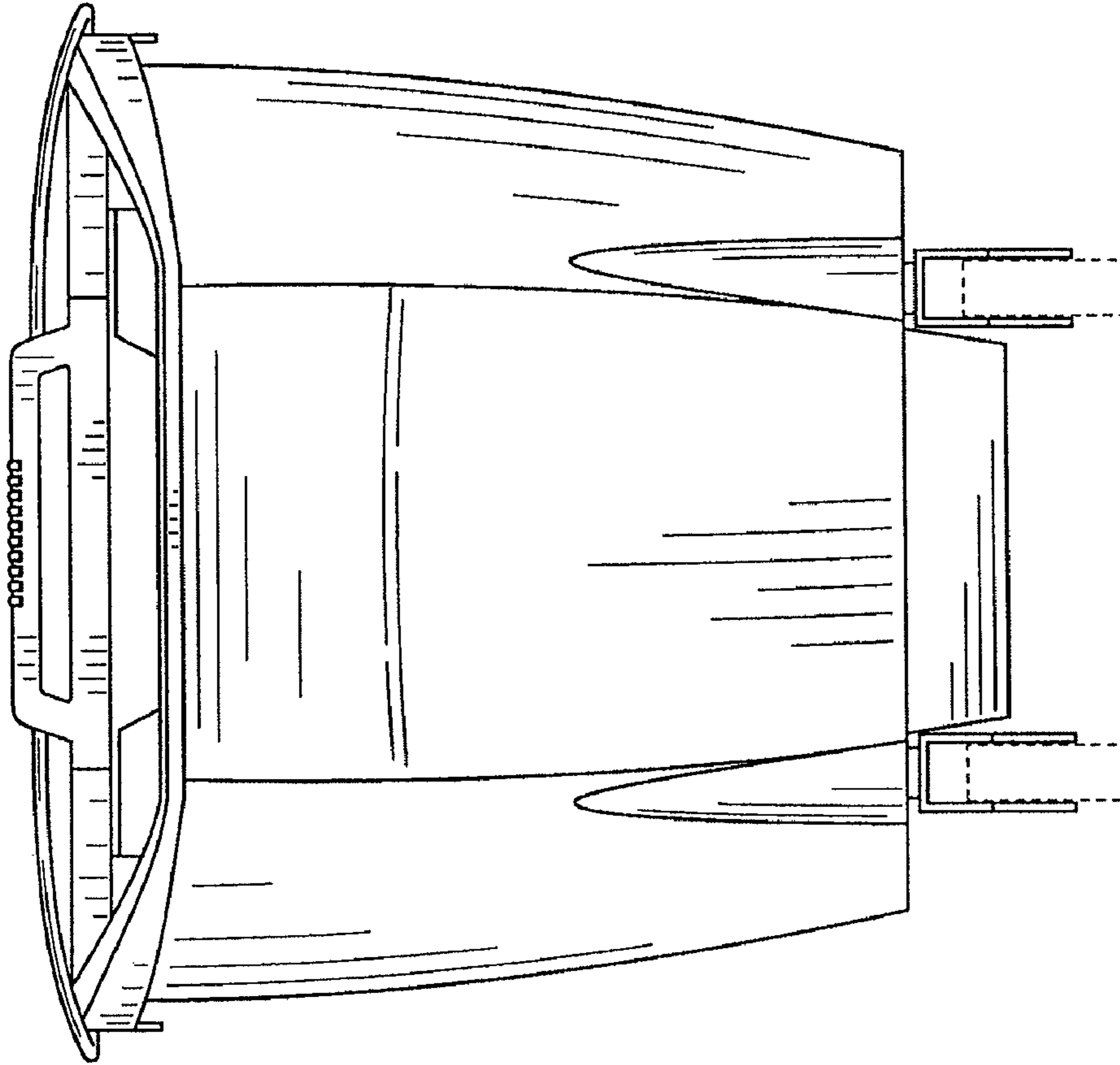


FIG. 3

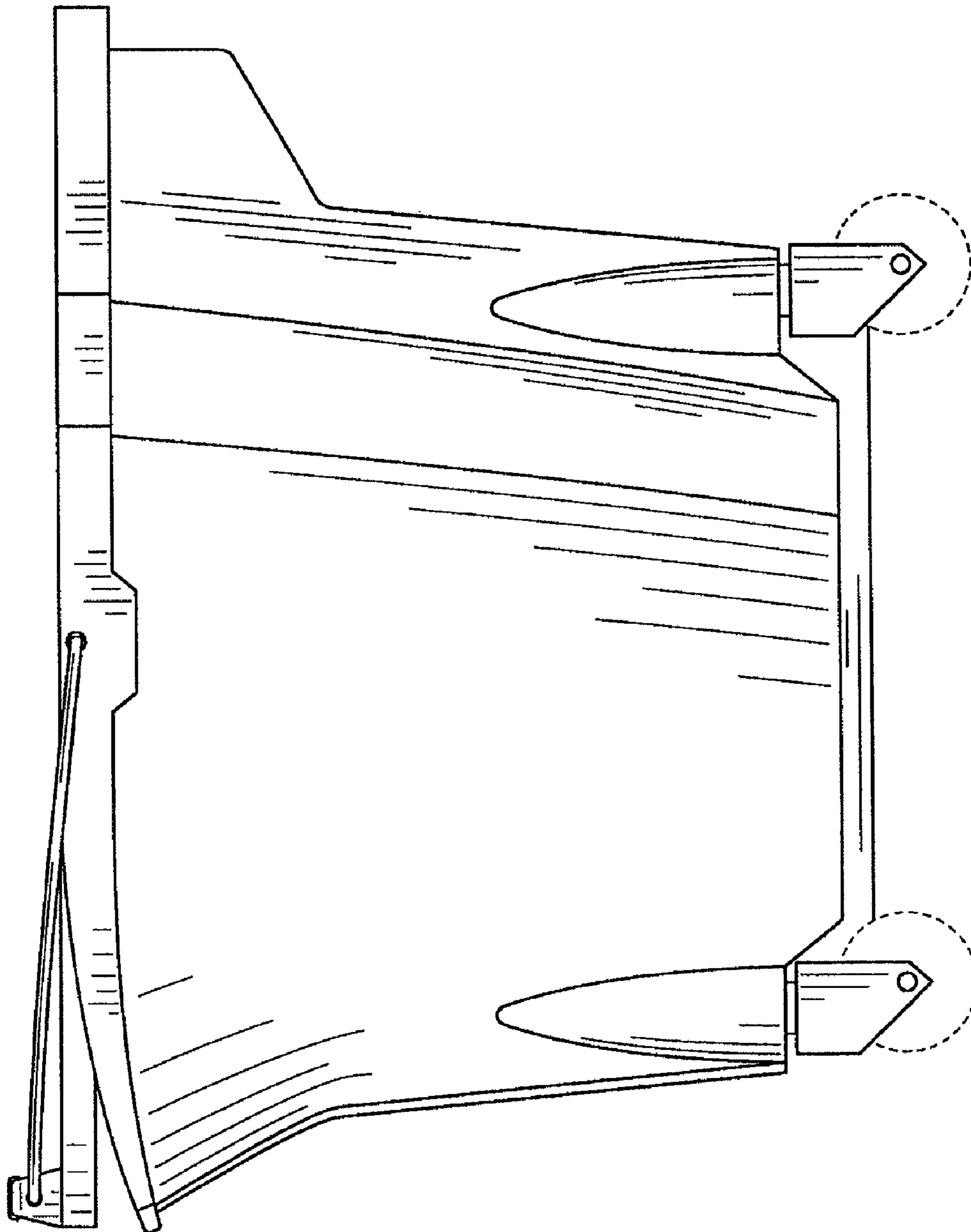


FIG. 4

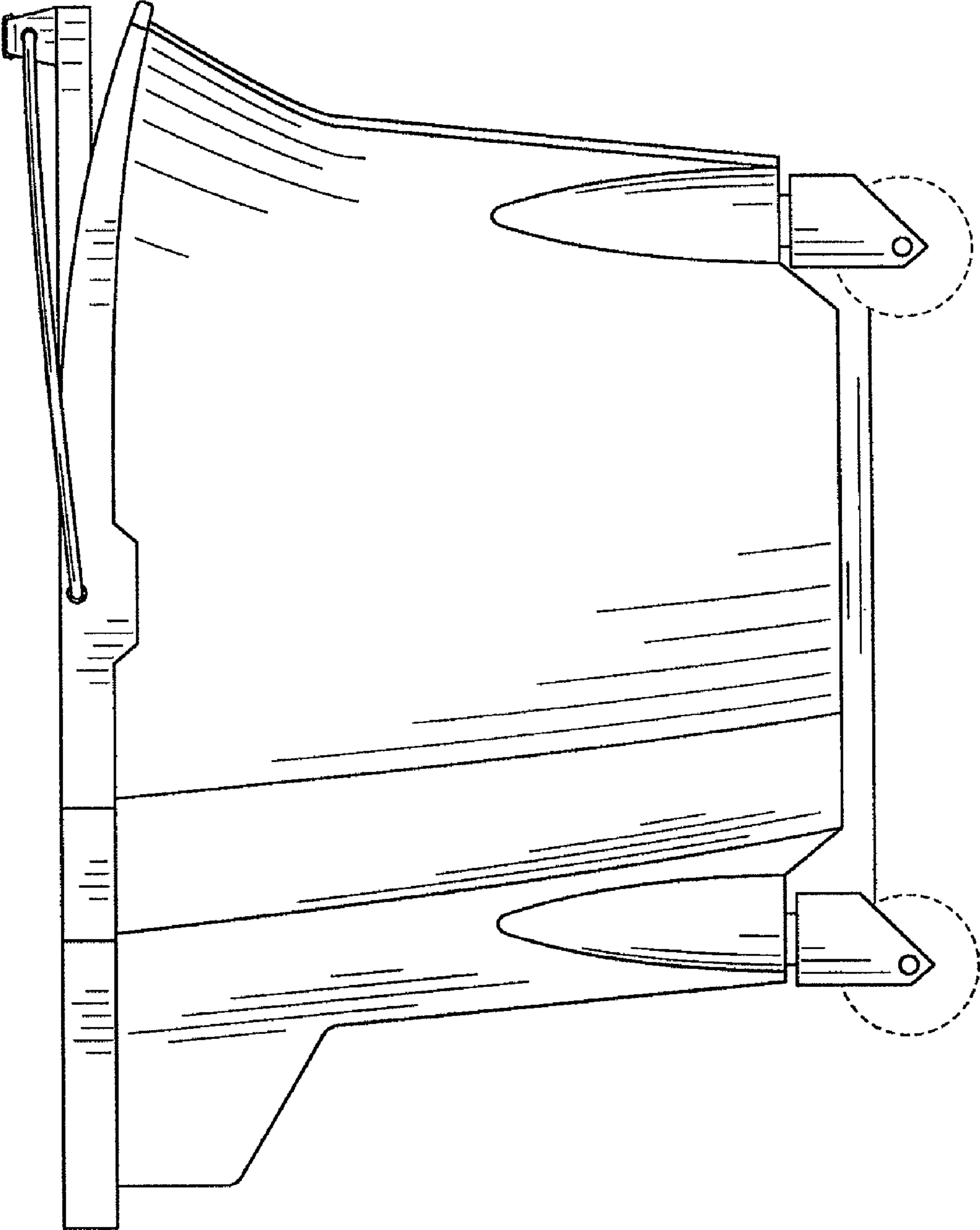


FIG. 5

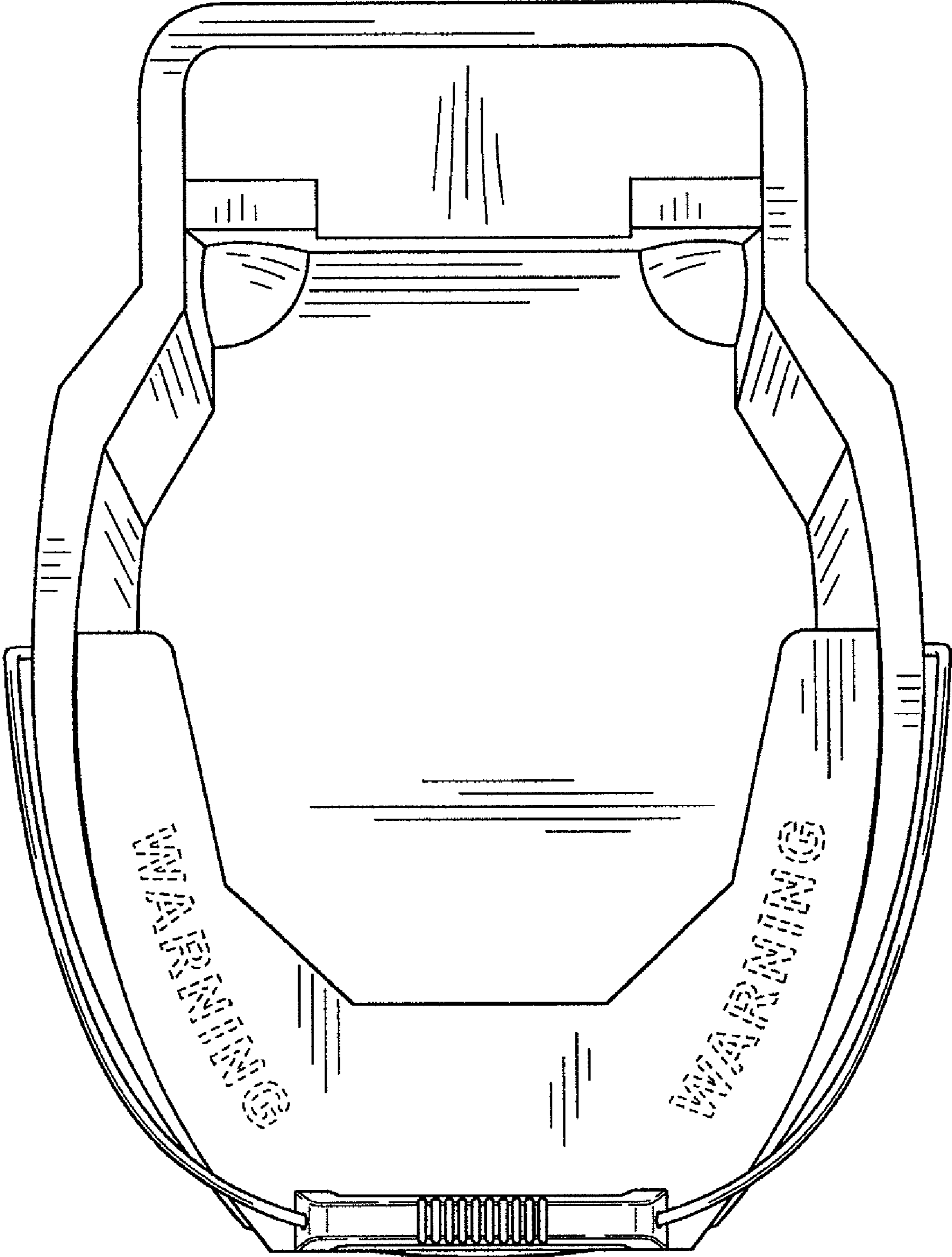


FIG. 6

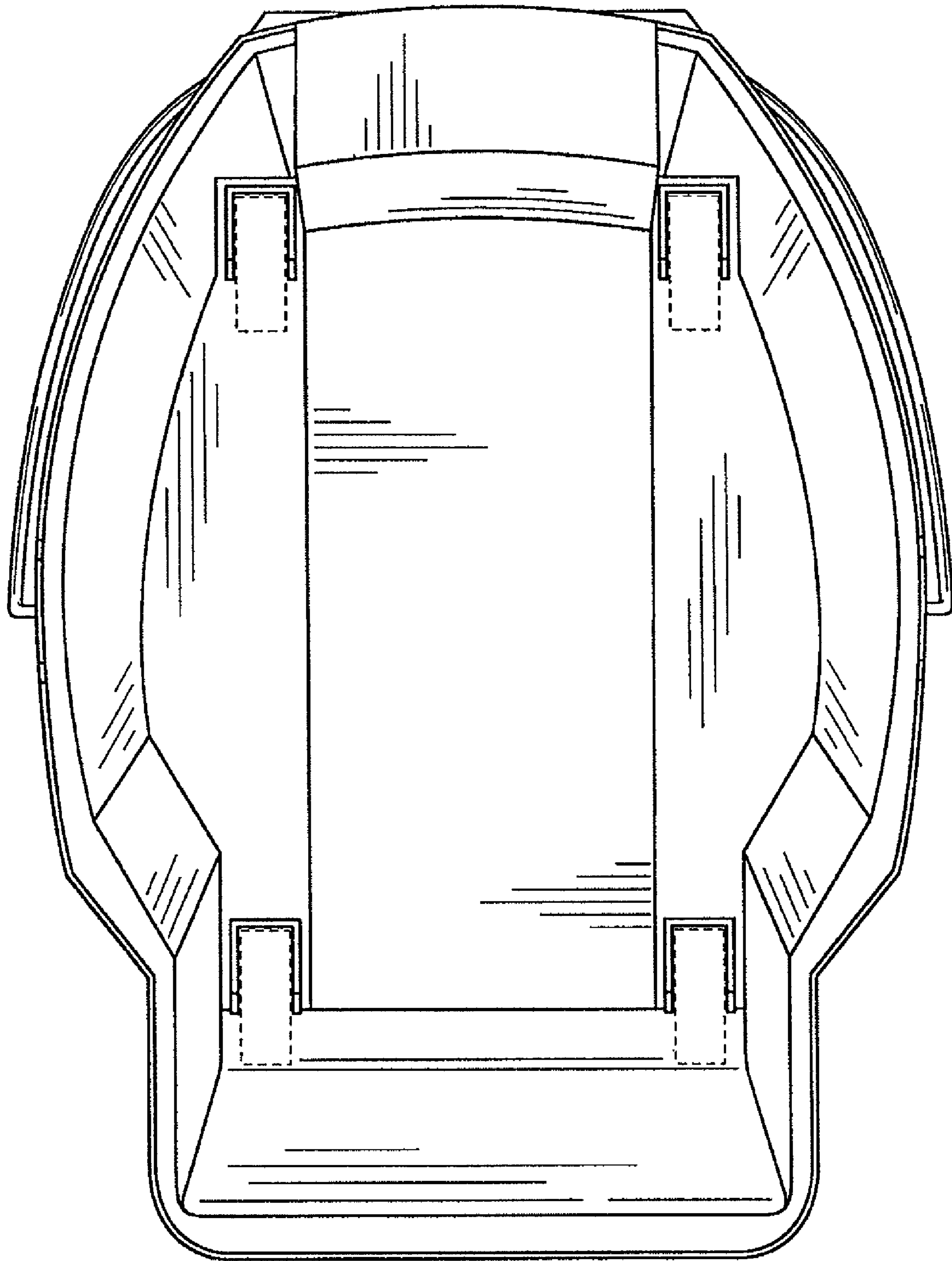


FIG. 7

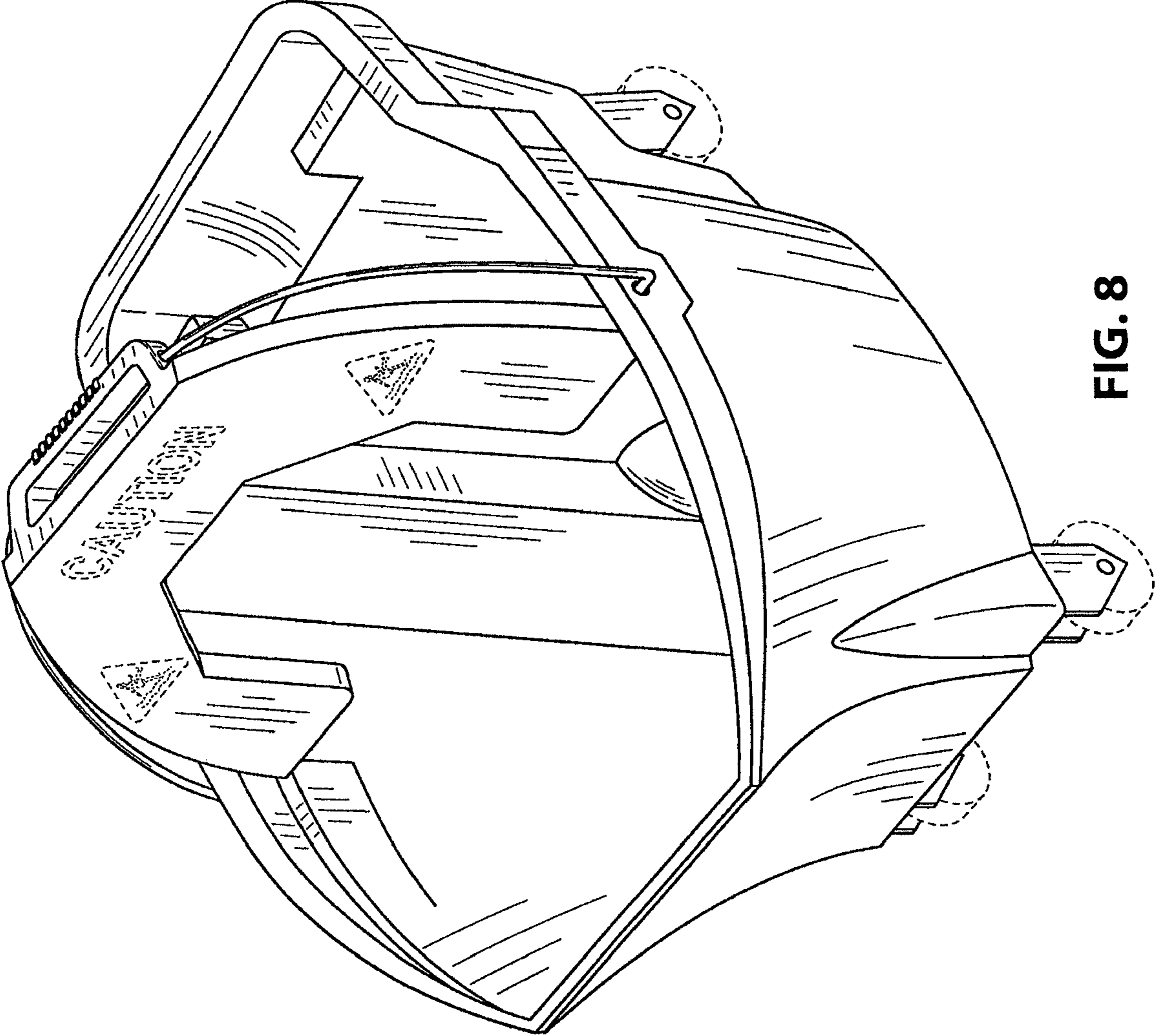


FIG. 8

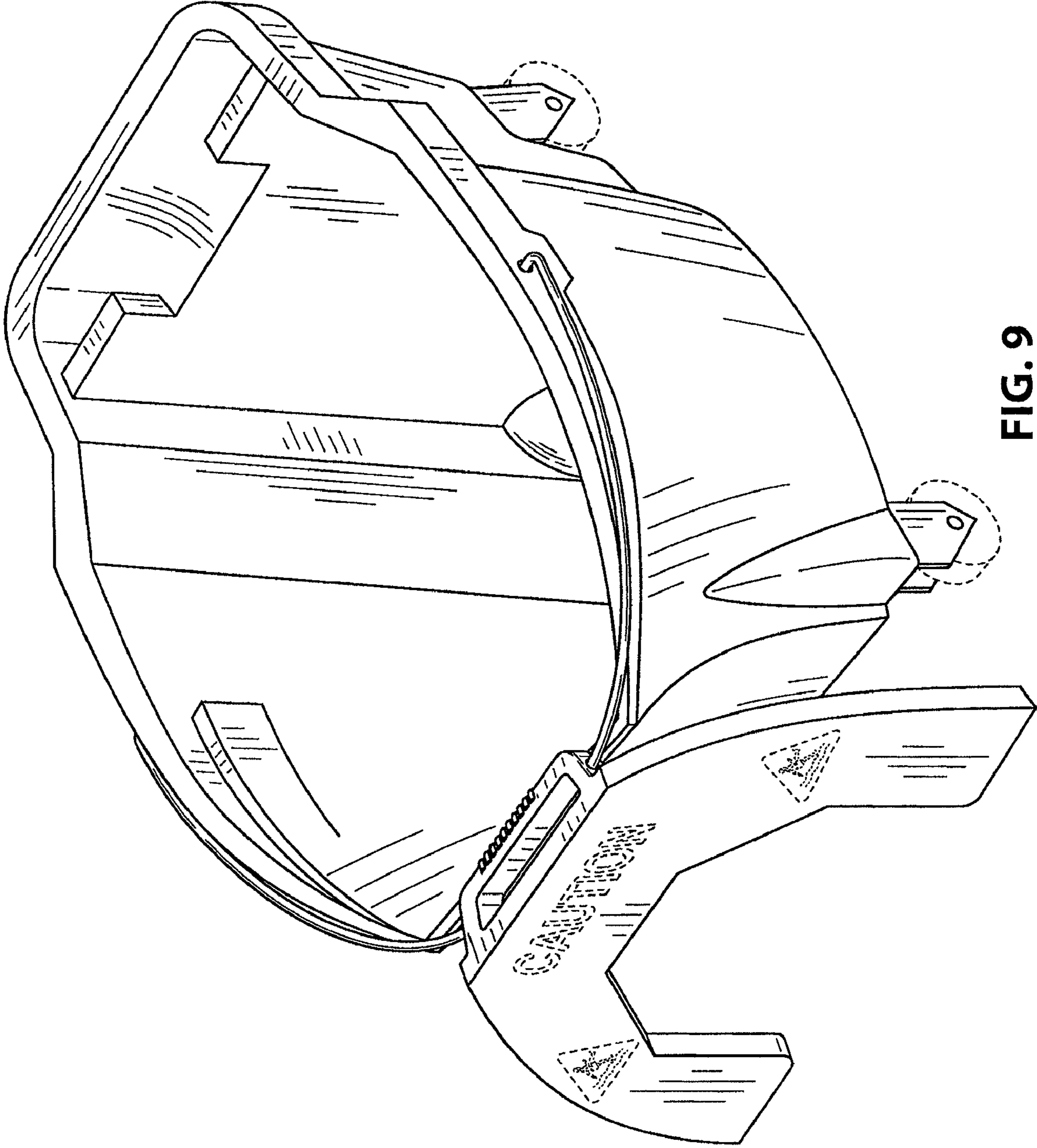


FIG. 9