



US00D611213S

(12) **United States Design Patent**
Markey et al.

(10) **Patent No.:** **US D611,213 S**
(45) **Date of Patent:** **** Mar. 2, 2010**

(54) **MOP HEAD SPRAYER ASSEMBLY**

7,192,210 B2 * 3/2007 Svendsen et al. 401/9
7,431,524 B2 * 10/2008 Sacks 401/139

(75) Inventors: **Kevin J. Markey**, Brookfield, WI (US);
Haim Bar-Noy, Racine, WI (US); **Mark T. MacLean-Blevins**, Westminister, MD (US)

* cited by examiner

Primary Examiner—Robin V Webster

(74) *Attorney, Agent, or Firm*—Gregory S. Bollis

(73) Assignee: **JohnsonDiversey, Inc.**, Sturtevant, WI (US)

(57) **CLAIM**

(**) Term: **14 Years**

We claim the ornamental design for a mop head sprayer assembly, as shown and described.

(21) Appl. No.: **29/254,127**

DESCRIPTION

(22) Filed: **Feb. 17, 2006**

FIG. 1 is a front perspective view a mop head sprayer assembly showing our new design;

(51) **LOC (9) Cl.** **04-01**

FIG. 2 is a front view thereof;

(52) **U.S. Cl.** **D32/45**

FIG. 3 is a rear view thereof;

(58) **Field of Classification Search** D32/40,
D32/45-52; 401/137-140

FIG. 4 is a side view thereof;

See application file for complete search history.

FIG. 5 is an opposite side view thereof;

(56) **References Cited**

FIG. 6 is a top view thereof; and,

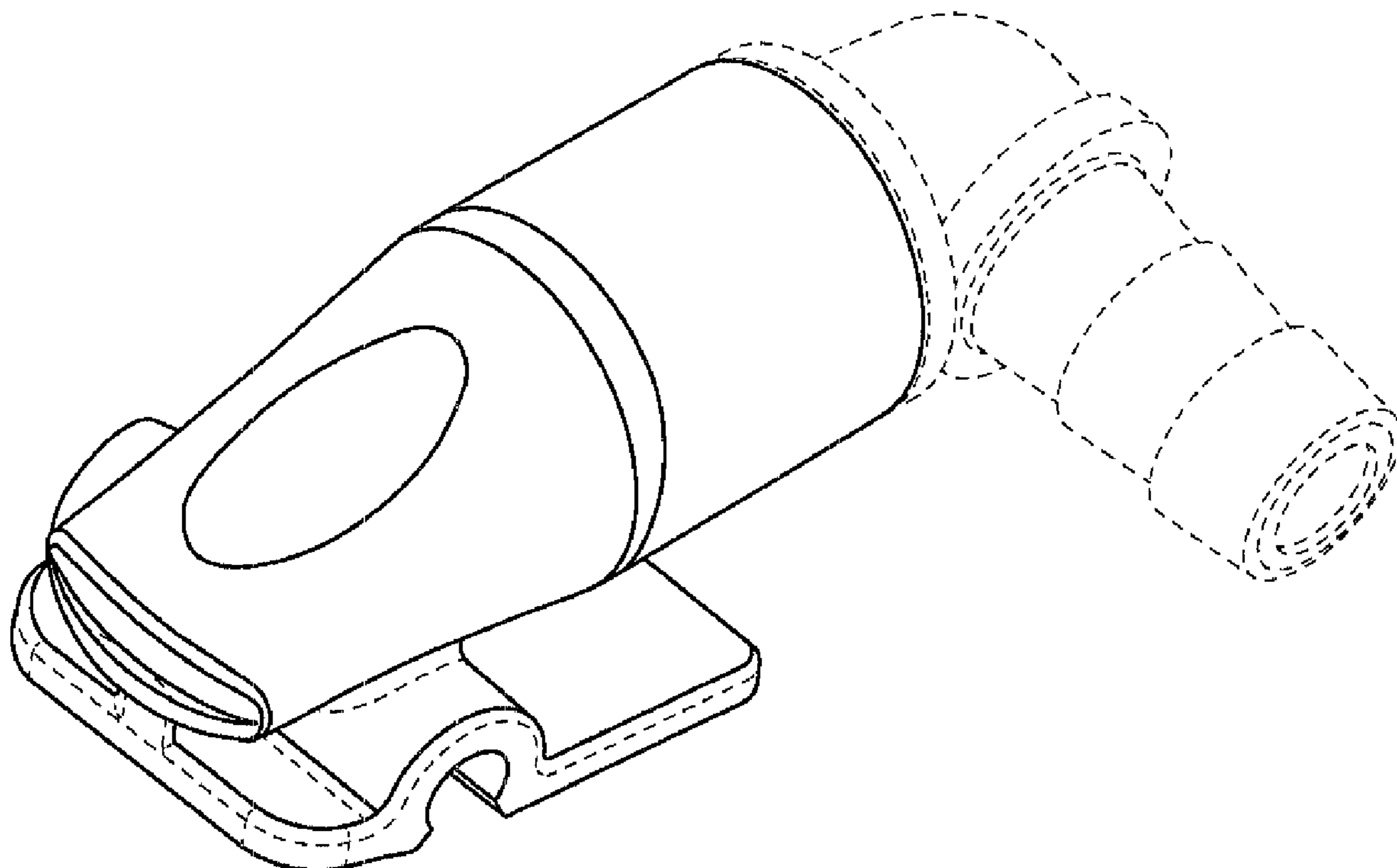
U.S. PATENT DOCUMENTS

FIG. 7 is a bottom view thereof.

| | | | | |
|-----------|------|---------|-------------------|---------|
| 371,515 | A | 10/1887 | Nowotny et al. | |
| 1,093,114 | A | 4/1914 | Corbett | |
| 1,335,451 | A | 3/1920 | Moore | |
| 3,457,016 | A | 7/1969 | Gotberg | |
| 5,888,006 | A * | 3/1999 | Ping et al. | 401/139 |
| 6,497,525 | B1 * | 12/2002 | Huang | 401/138 |
| 6,655,866 | B1 * | 12/2003 | Morad et al. | 401/139 |
| 6,964,535 | B2 | 11/2005 | Bell et al. | 401/140 |

The present application is directed to the shape and contour of a mop head sprayer assembly, such as illustrated in the drawings. Other features of the drawing, specifically, the shape of some portions of the mop head or mop-head sprayer assembly are not considered part of the design currently sought to be patented and have accordingly been shown in broken lines.

1 Claim, 6 Drawing Sheets



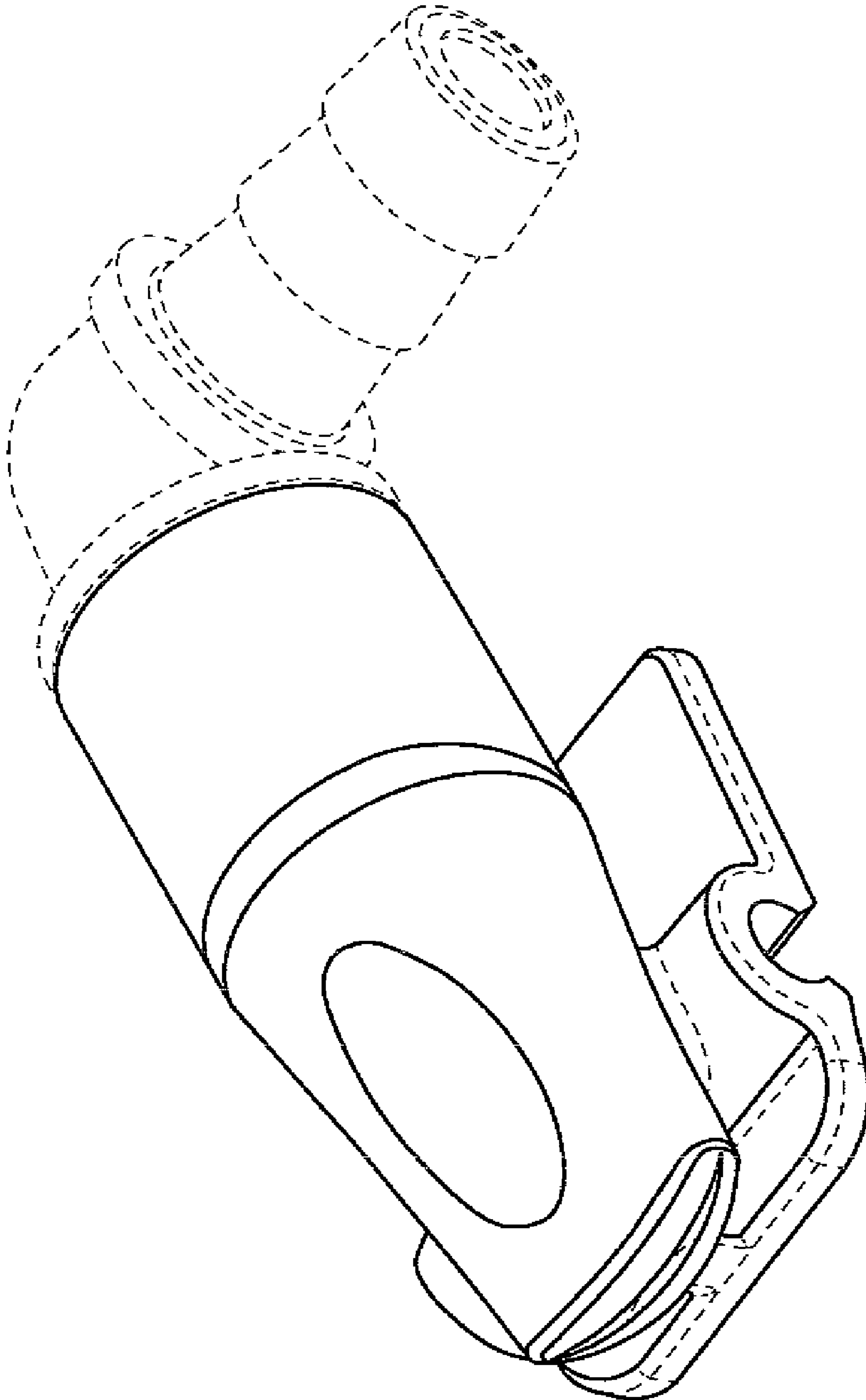


FIG. 1

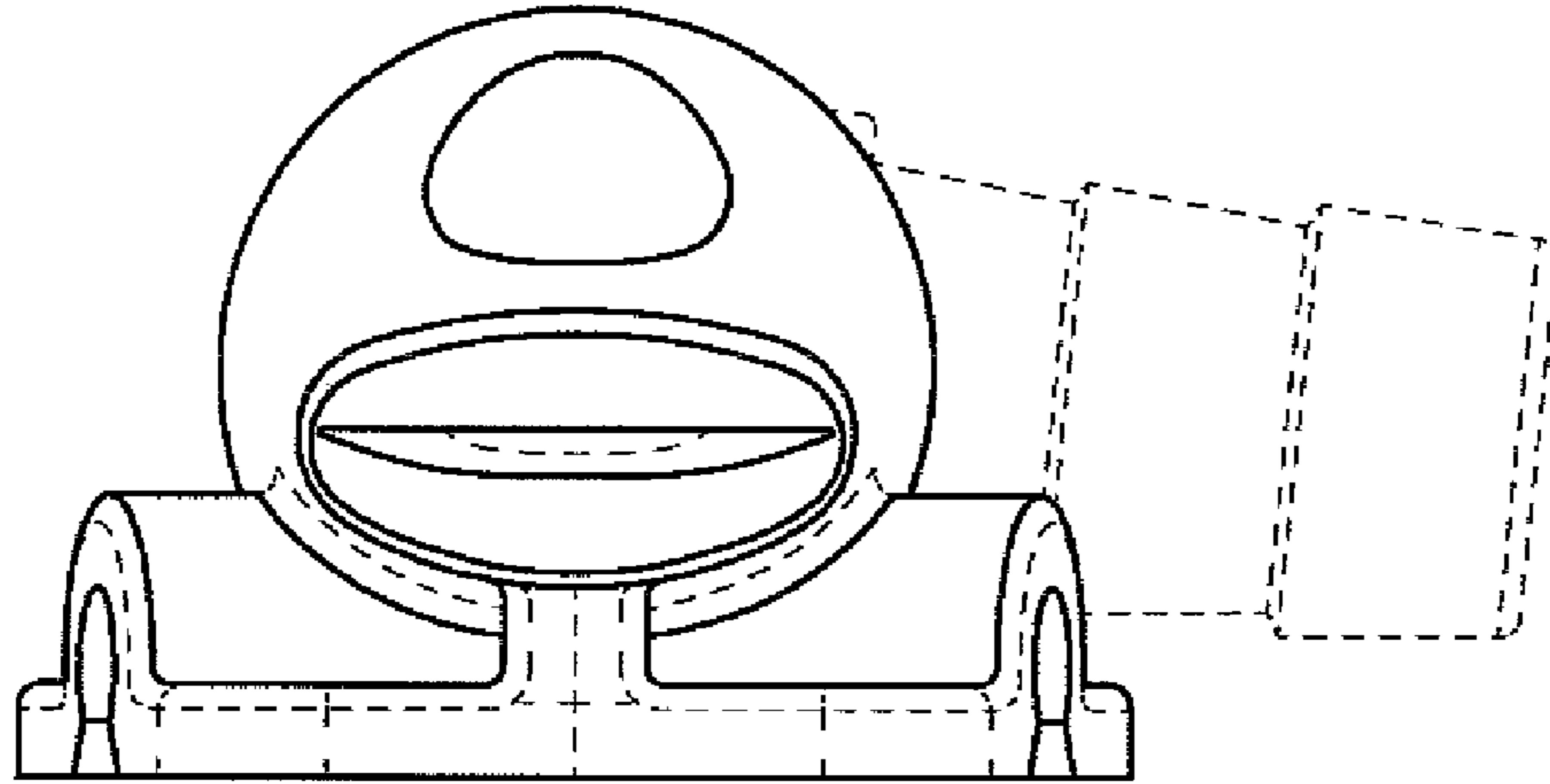


FIG. 2

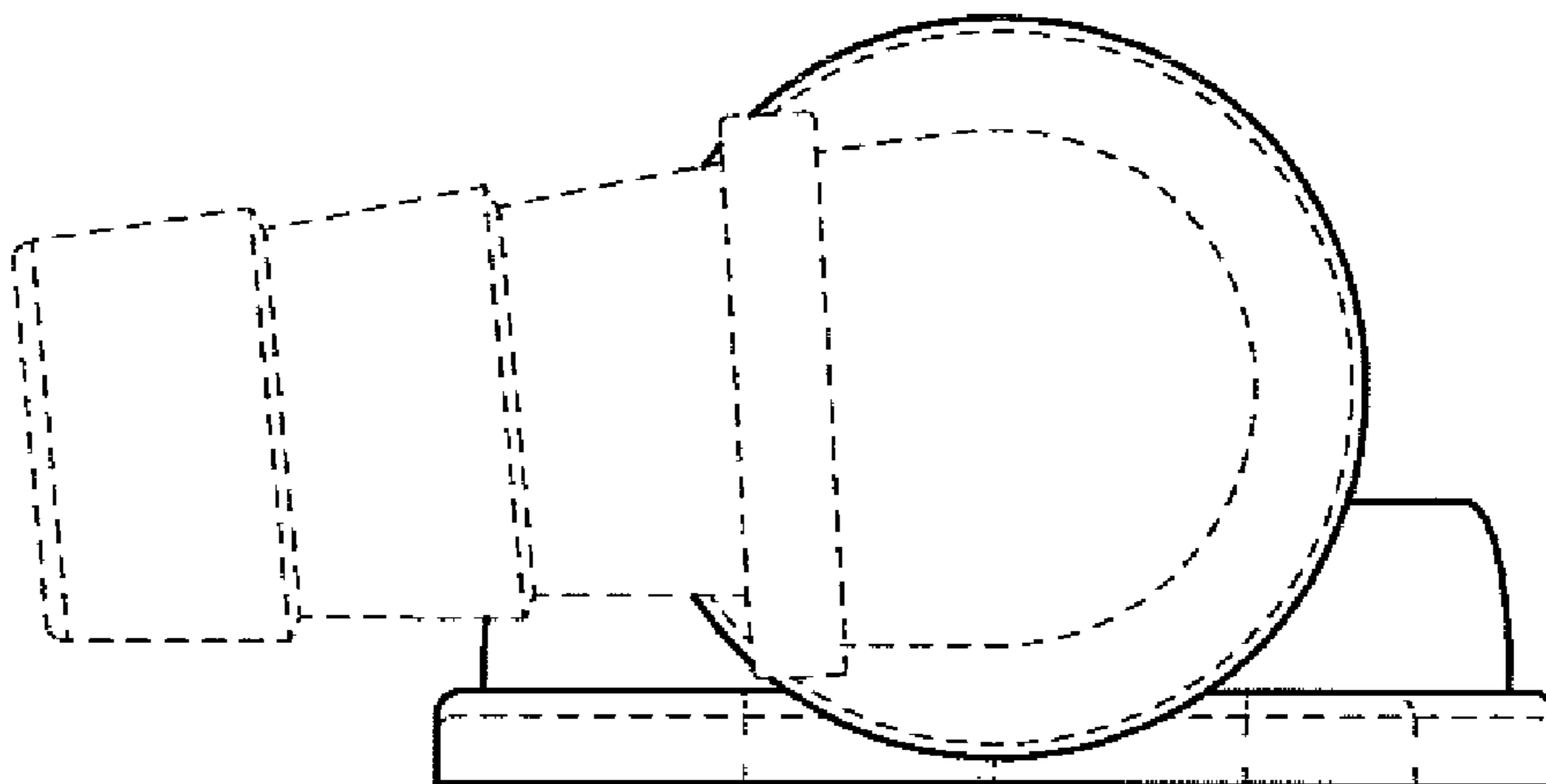


FIG. 3

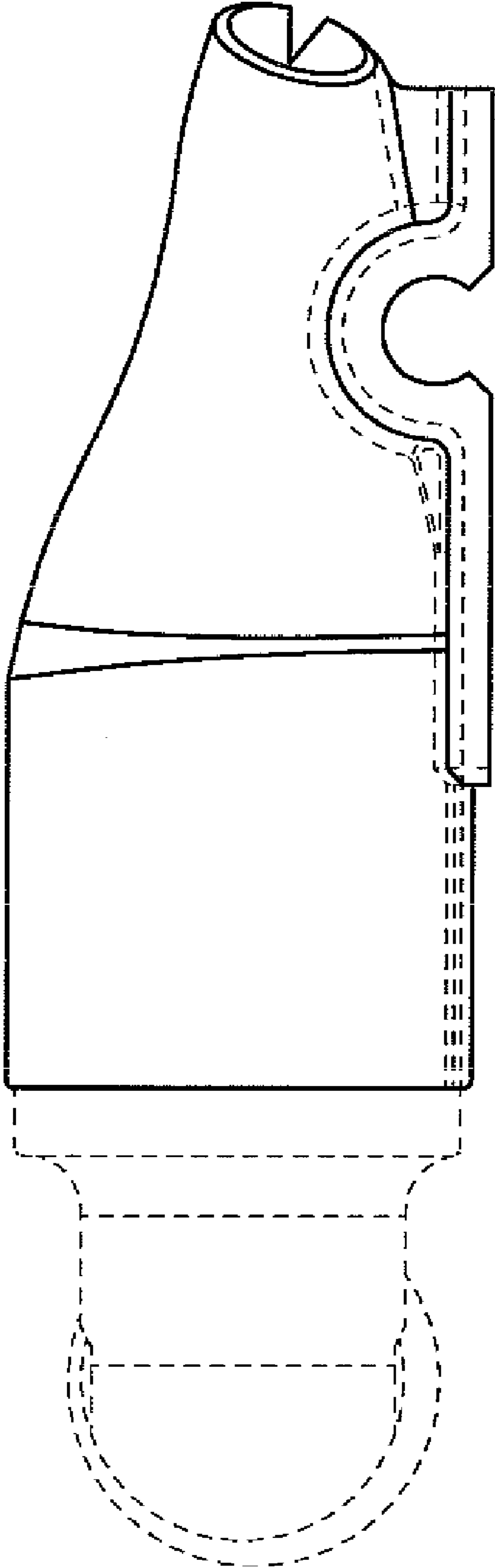


FIG. 4

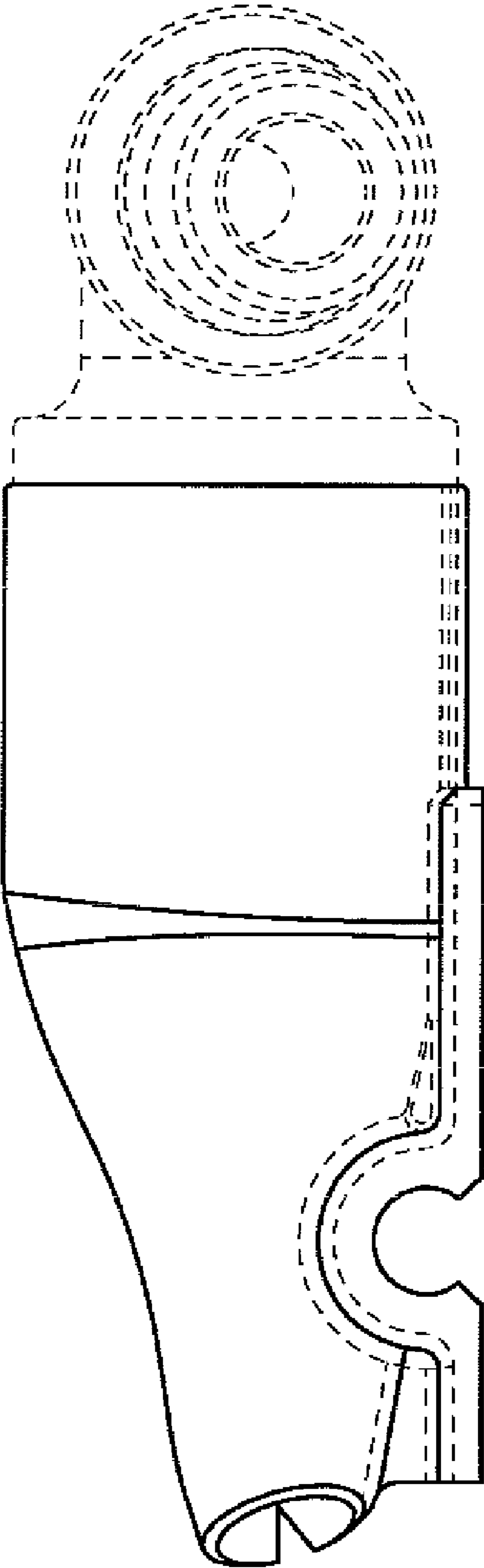


FIG. 5

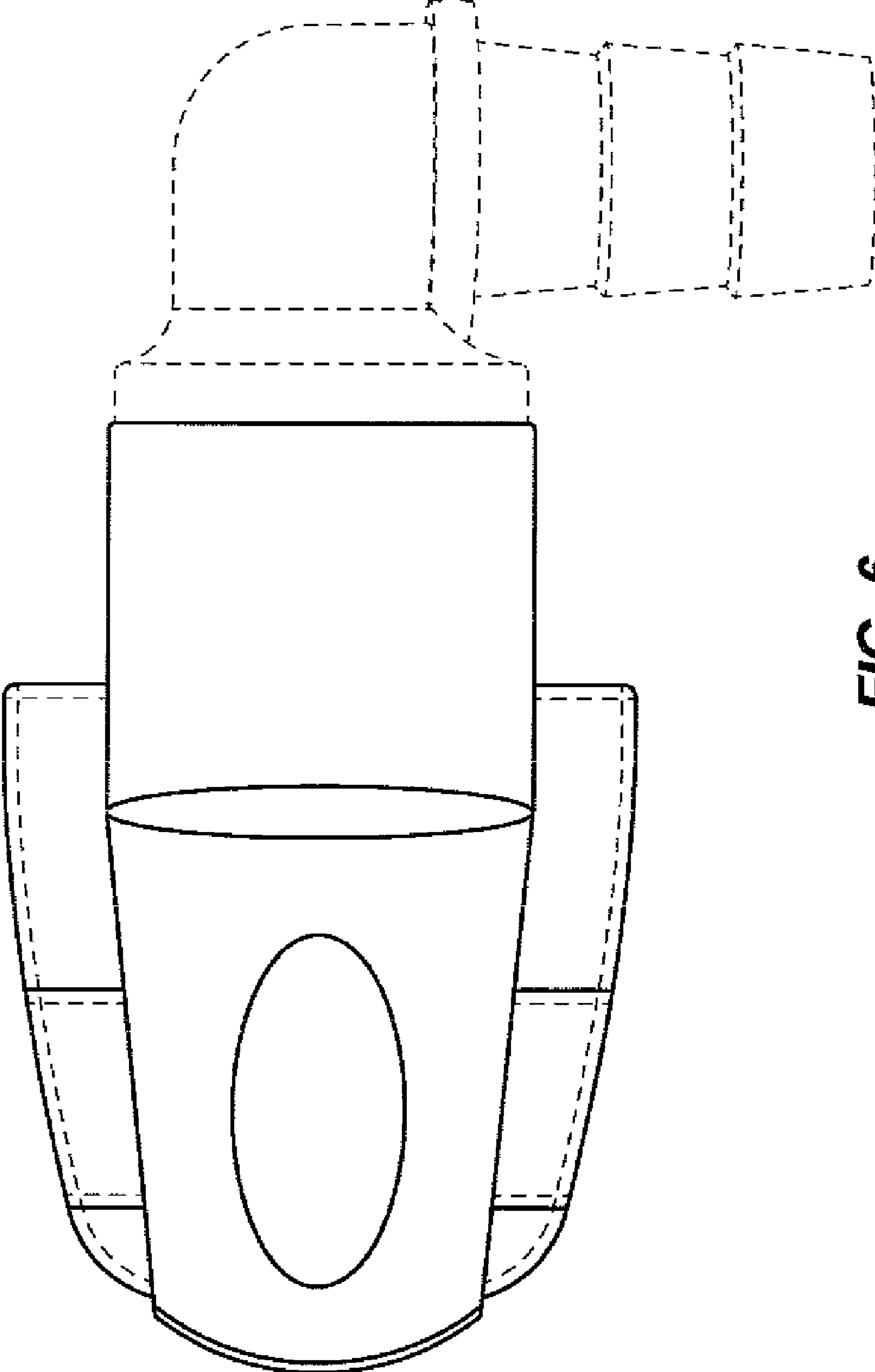


FIG. 6

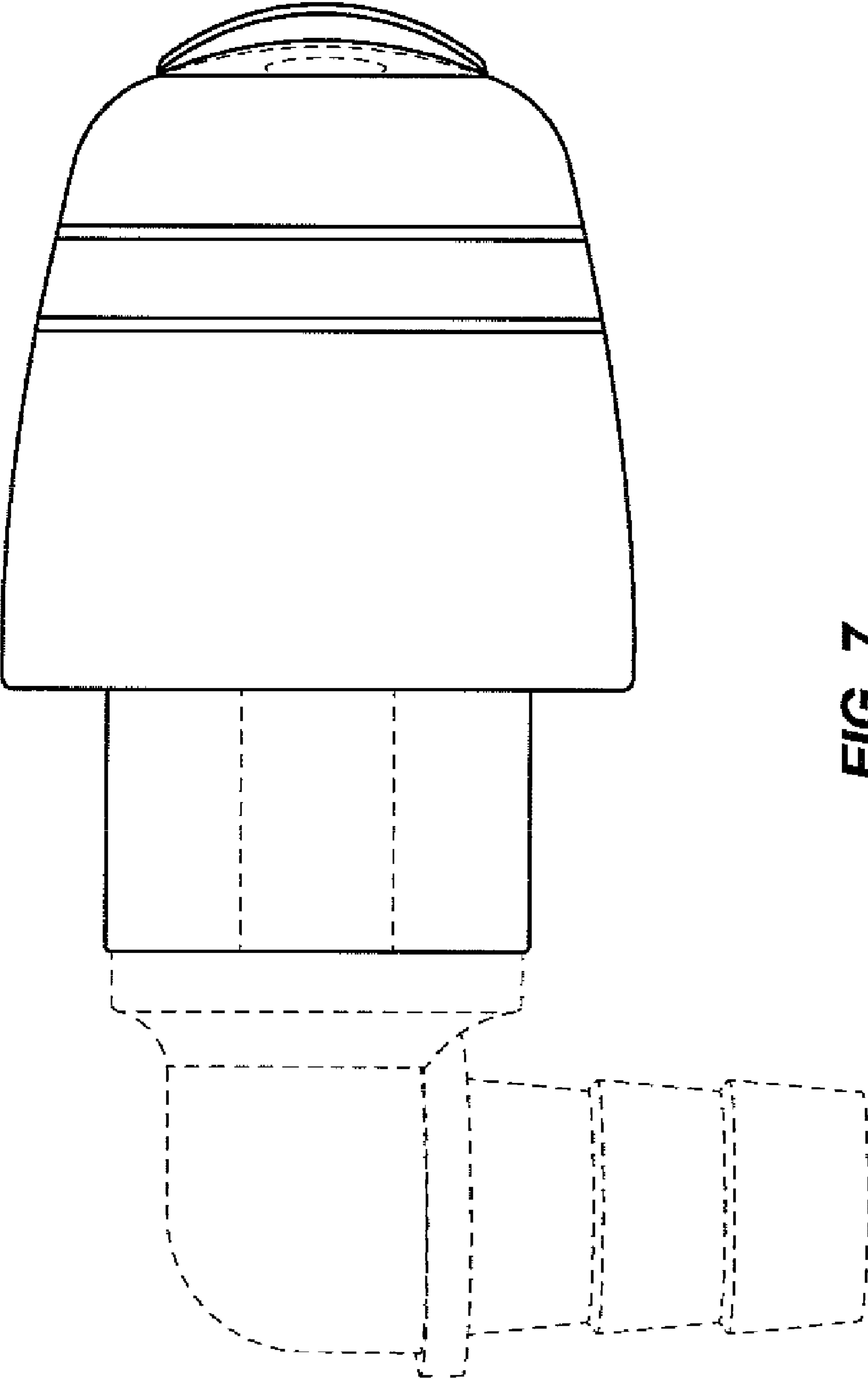


FIG. 7