



US00D611212S

(12) **United States Design Patent**
Kaminer et al.

(10) **Patent No.:** **US D611,212 S**
(45) **Date of Patent:** **** Mar. 2, 2010**

(54) **TRIANGULAR QUILTED FABRIC STEAM
POCKET FOR A STEAM APPLIANCE**

D554,815 S * 11/2007 Harper et al. D32/40
D575,918 S * 8/2008 Rosenzweig et al. D32/40

* cited by examiner

(75) Inventors: **Brian Kaminer**, Harrison, NY (US);
Charles A. Boulos, Milford, MA (US);
James N. Lewiecki, Essex, MA (US);
Kathleen V. Jones, Somerville, MA
(US); **Ognjen Vrdoljak**, Laval (CA)

Primary Examiner—Robin V Webster
(74) *Attorney, Agent, or Firm*—McCarter & English, LLP;
Michael I. Wolfson

(73) Assignee: **Euro-Pro Operating, LLC**, Newton,
MA (US)

(57) **CLAIM**

The ornamental design for a triangular quilted fabric steam pocket for a steam appliance, as shown and described.

(**) Term: **14 Years**

DESCRIPTION

(21) Appl. No.: **29/335,413**

FIG. 1 is a top perspective view of a triangular quilted fabric steam pocket for a steam appliance showing our new design;

(22) Filed: **Apr. 15, 2009**

FIG. 2 is a top plan view thereof;

(51) **LOC (9) Cl.** **04-01**

FIG. 3 is a bottom plan view thereof;

(52) **U.S. Cl.** **D32/40; D32/50**

FIG. 4 is a rear elevational view thereof,

(58) **Field of Classification Search** D32/40–46,
D32/50–52; 15/229.3, 227, 118, 244.1–244.4,
15/208, 209

FIG. 5 is a front elevational view thereof,

See application file for complete search history.

FIG. 6 is a right side view thereof;

FIG. 7 is a left side view thereof; and,

(56) **References Cited**

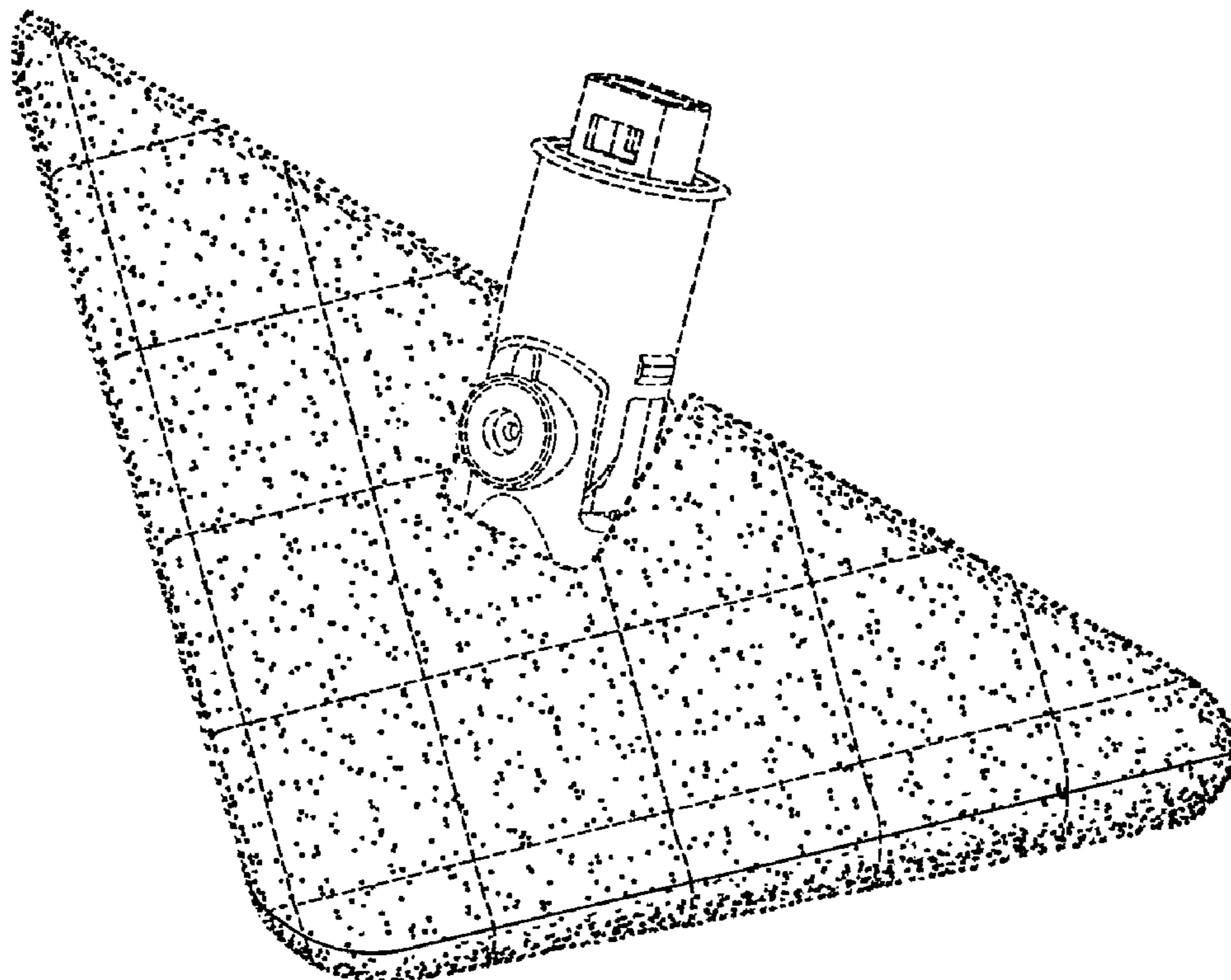
FIG. 8 is a front perspective view of the triangular quilted fabric steam pocket of FIG. 1 installed on a steam mop.

U.S. PATENT DOCUMENTS

The broken line showing of the mop handle and reservoir is included for the purpose of illustrating and forms no part of the claimed design.

- 1,643,637 A * 9/1927 Chadwick 15/228
- D185,727 S * 7/1959 Yamen et al. D32/50
- 5,177,831 A * 1/1993 Wirth 15/244.3
- D549,415 S * 8/2007 Trotter et al. D32/50

1 Claim, 7 Drawing Sheets



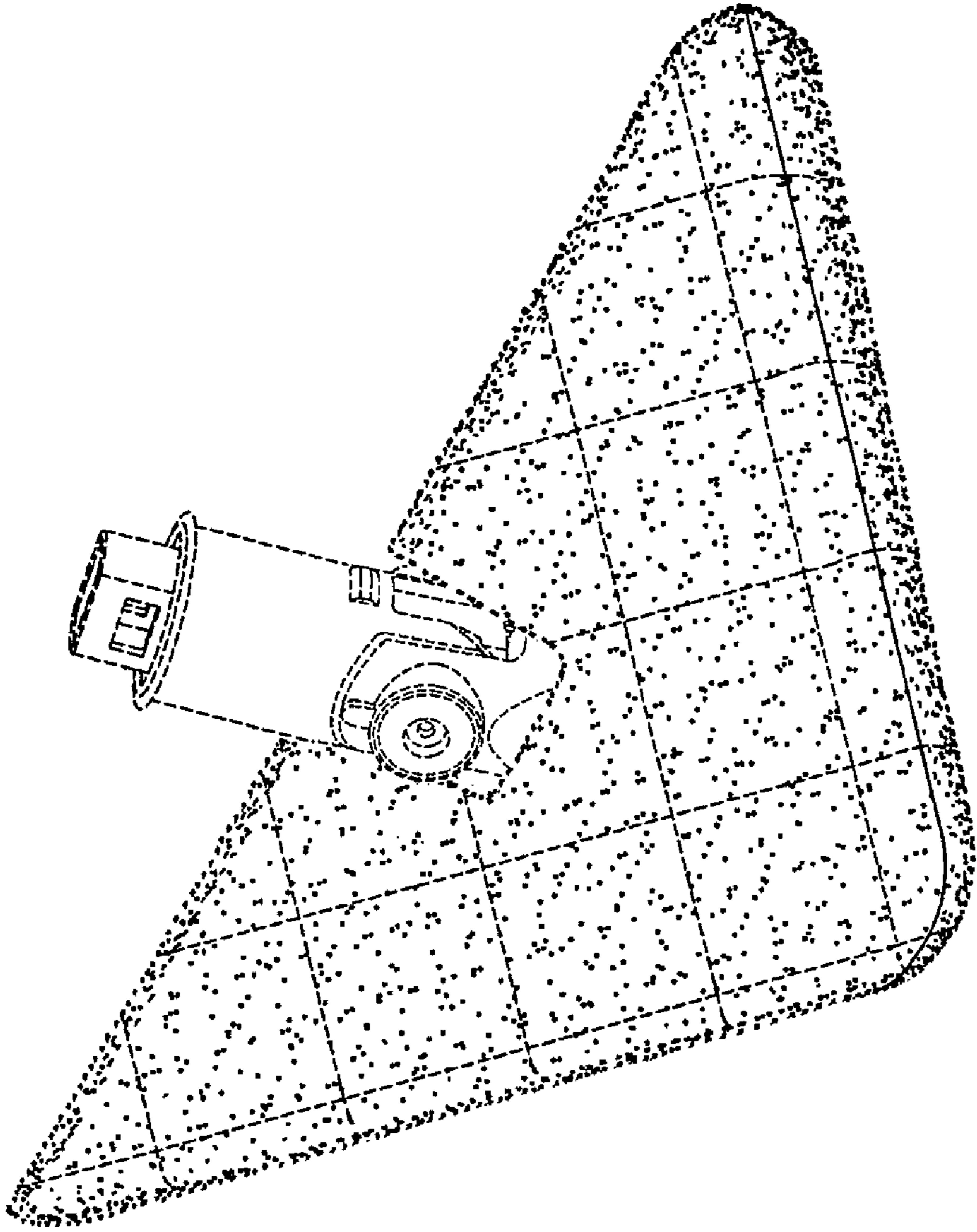


FIG. 1

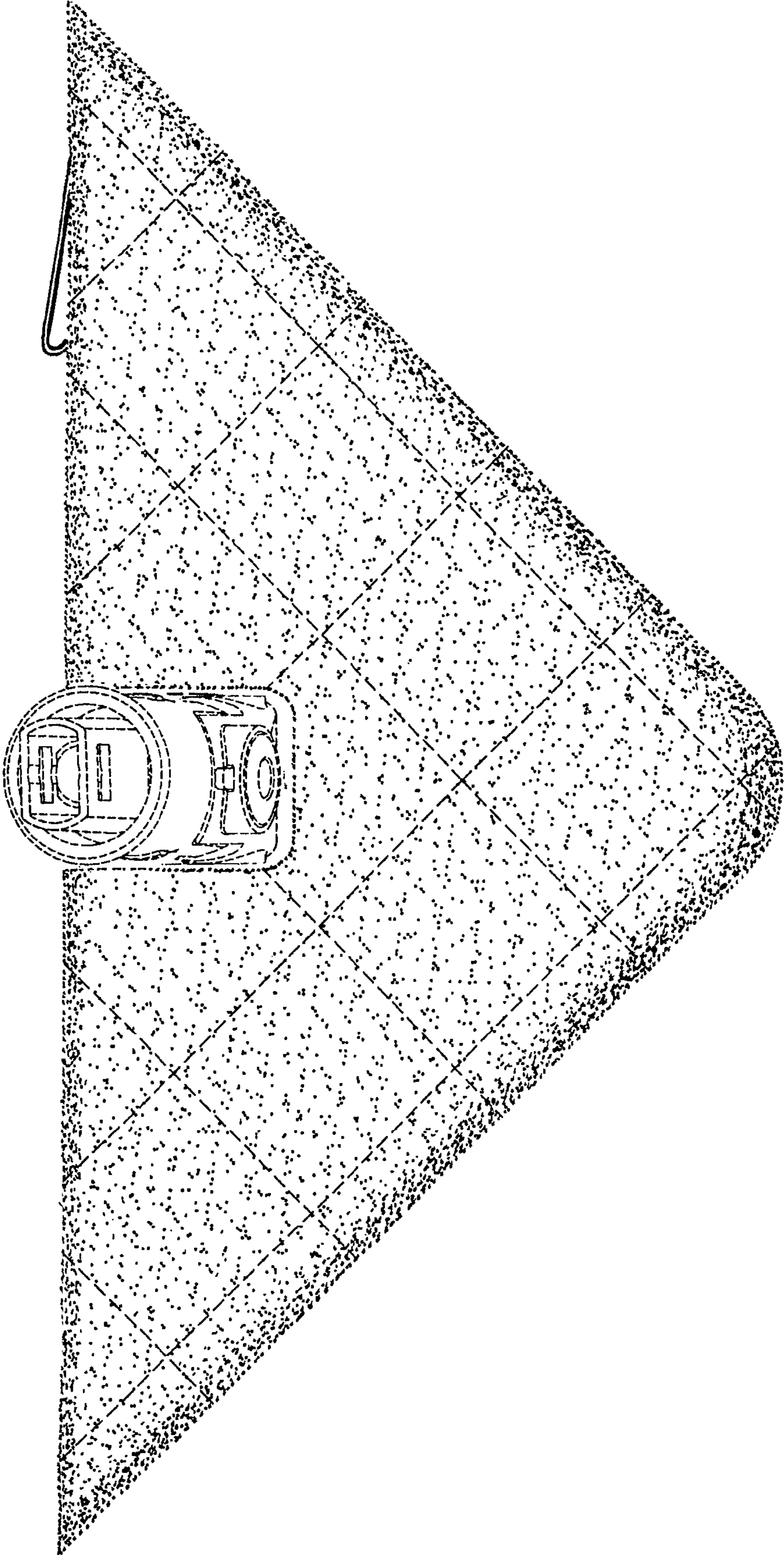


FIG.2

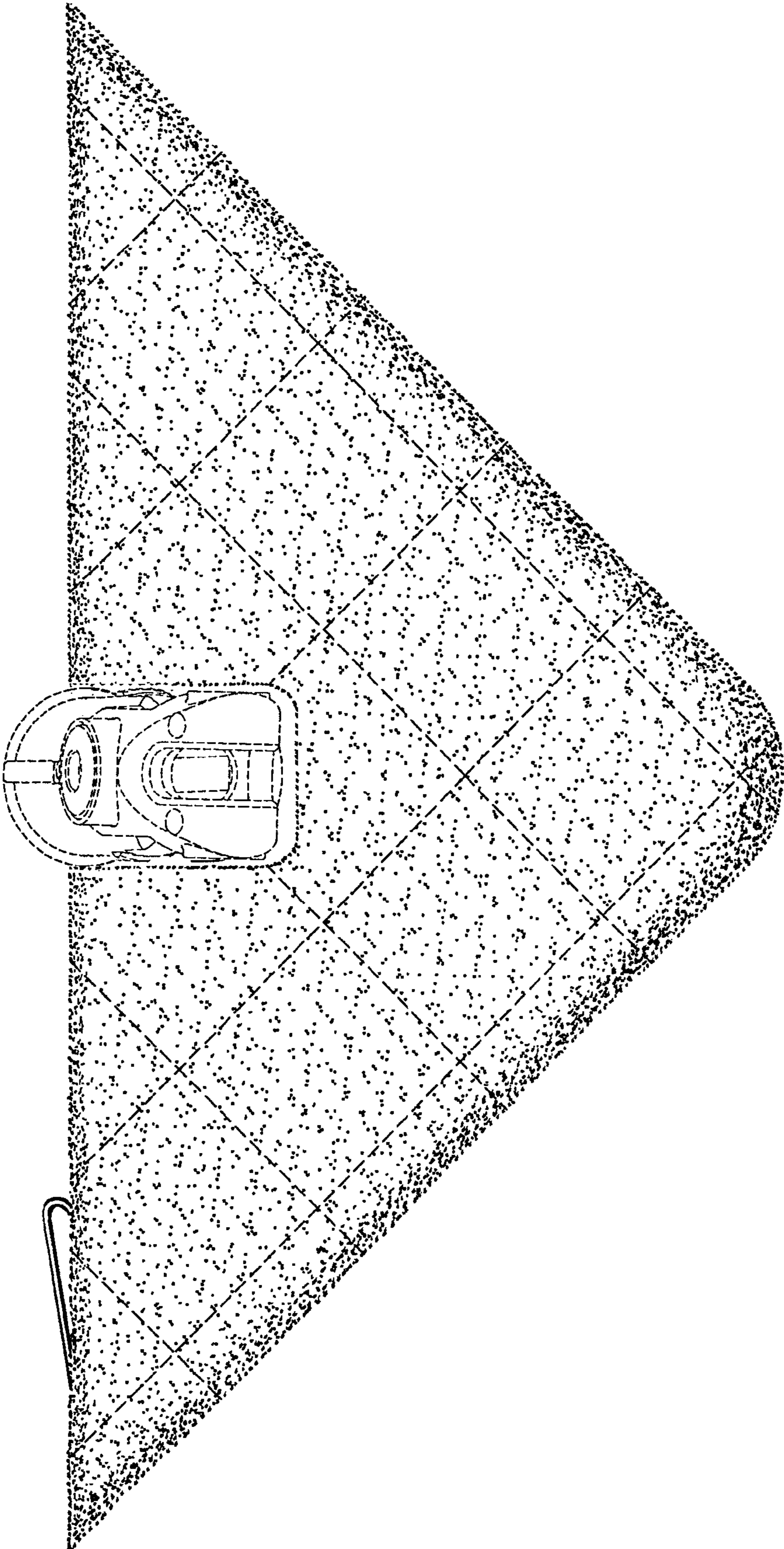


FIG. 3

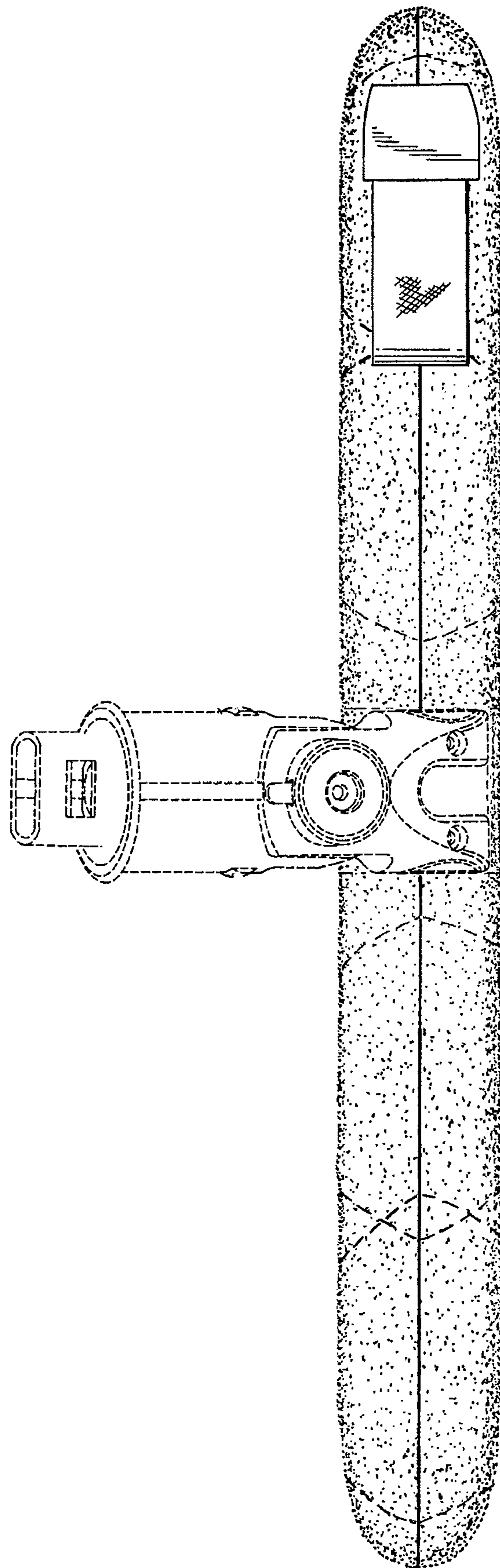


FIG.4

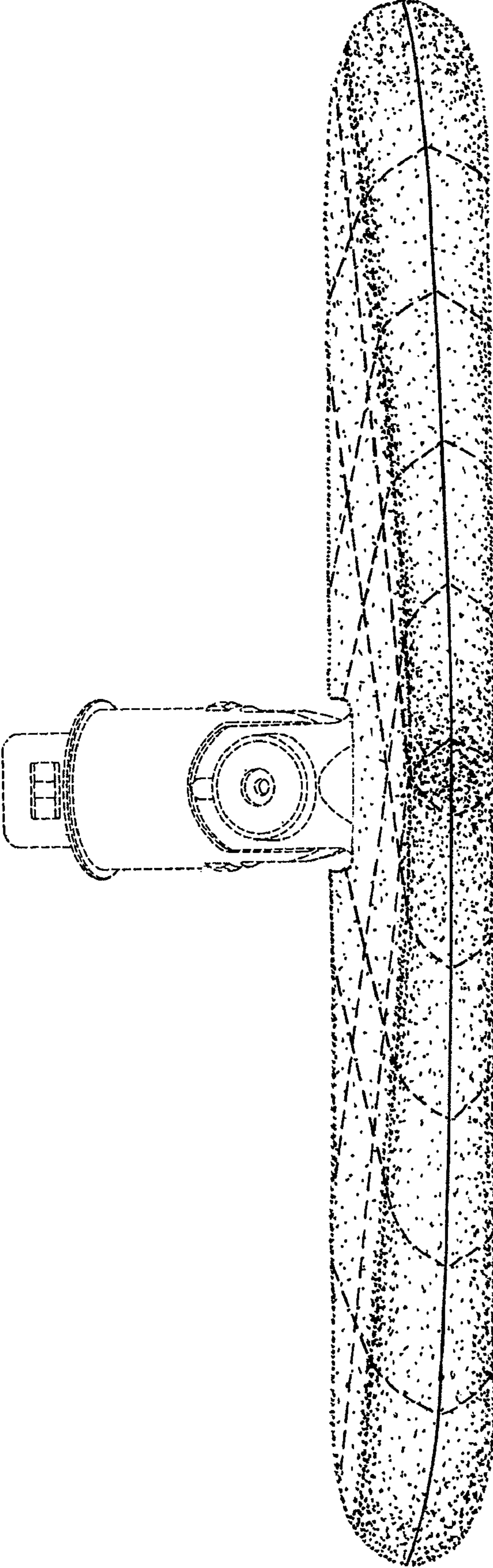


FIG.5

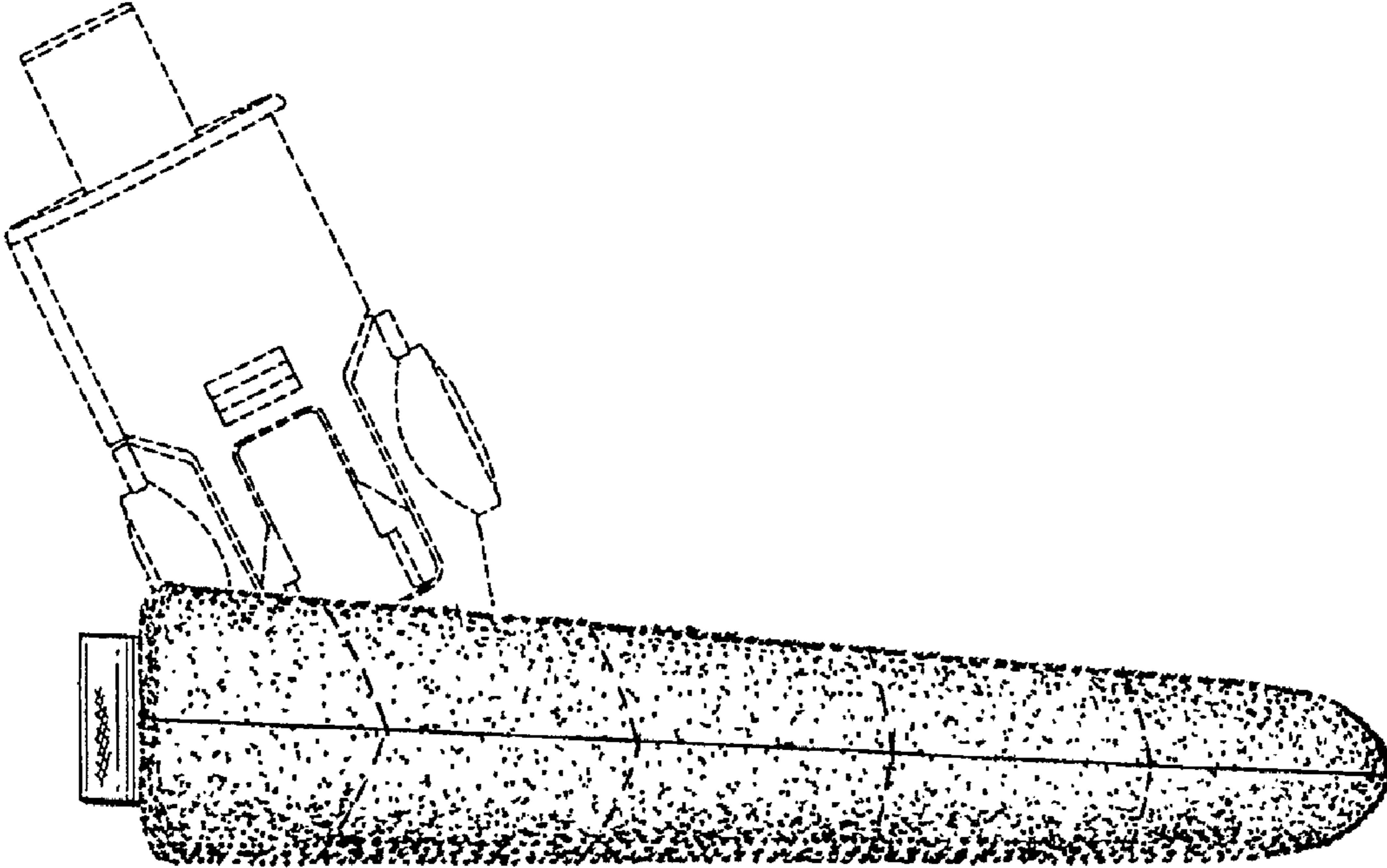


FIG. 6

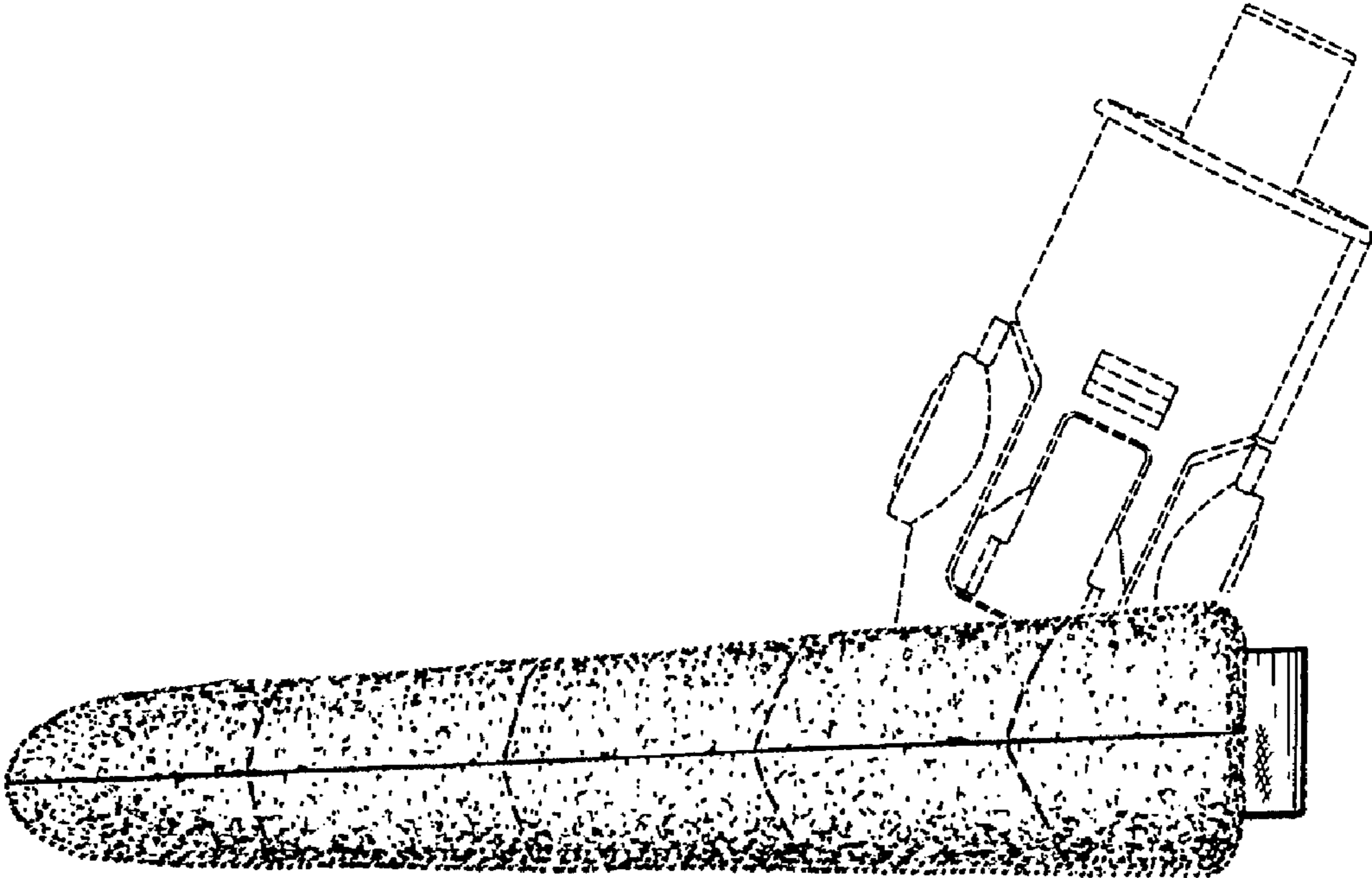


FIG. 7

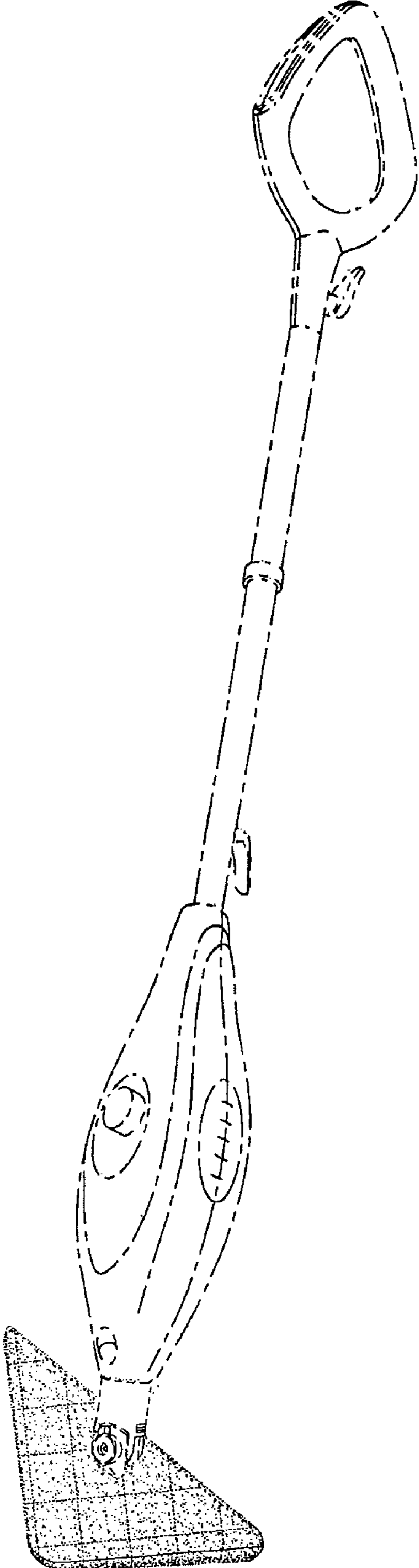


FIG.8