



US00D611210S

(12) **United States Design Patent**
Conrad et al.

(10) **Patent No.:** **US D611,210 S**
(45) **Date of Patent:** **** Mar. 2, 2010**

(54) **VACUUM CLEANER**

D537,584 S * 2/2007 Greene et al. D32/22

(75) Inventors: **Wayne Ernest Conrad**, Hampton (CA);
Nina Kanevsky Conrad, Hampton (CA)

* cited by examiner

(73) Assignee: **GBD Corp.**, Nassau (BS)

Primary Examiner—Ruth McInroy
(74) *Attorney, Agent, or Firm*—Philip C. Mendes da Costa;
Bereskin & Parr LLP/S.E.N. C.R.L., s.r.l.

(**) Term: **14 Years**

(21) Appl. No.: **29/282,558**

(57) **CLAIM**

(22) Filed: **Jul. 24, 2007**

I claim the ornamental design for a vacuum cleaner, as shown and described.

(30) **Foreign Application Priority Data**

DESCRIPTION

Jun. 21, 2007 (CA) 121151

FIG. 1 is a perspective view from the front and the right side of the vacuum cleaner;

(51) **LOC (9) Cl.** **15-05**

(52) **U.S. Cl.** **D32/31**

FIG. 2 is a perspective view from the front and the left side of the vacuum cleaner of FIG. 1;

(58) **Field of Classification Search** D32/17,
D32/18, 22, 31; 15/344, 329, 347, 350–353,
15/361, 363, 412; 55/343, 349, 424, 459.1,
55/DIG. 3

FIG. 3 is a front elevation view of the vacuum cleaner of FIG. 1;

See application file for complete search history.

FIG. 4 is a rear elevation view of the vacuum cleaner of FIG. 1;

(56) **References Cited**

U.S. PATENT DOCUMENTS

D375,820 S * 11/1996 Piccaluga et al. D32/22
D439,379 S * 3/2001 Gammack et al. D32/22
D462,813 S * 9/2002 Nakano et al. D32/22
D510,465 S * 10/2005 Takahashi et al. D32/22
D521,699 S * 5/2006 Greene et al. D32/22
D532,944 S * 11/2006 Choi D32/22
D534,324 S * 12/2006 Dyson et al. D32/22

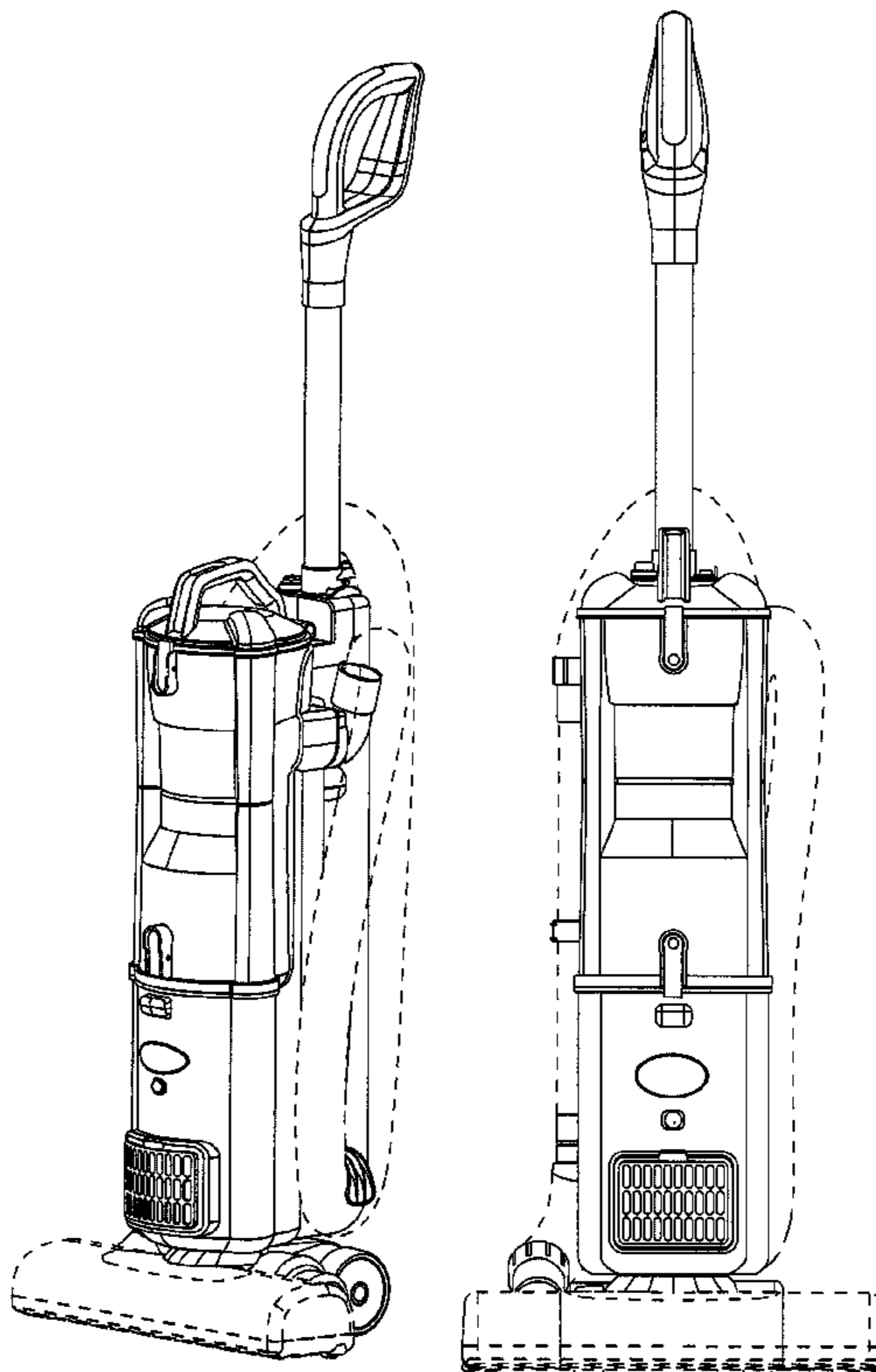
FIG. 5 is an elevation view of the right side vacuum cleaner of FIG. 1;

FIG. 6 is an elevation view of the left side of the vacuum cleaner of FIG. 1; and,

FIG. 7 is a top plan view of the vacuum cleaner of FIG. 1.

The details shown in broken lines form no part of the claimed design.

1 Claim, 7 Drawing Sheets



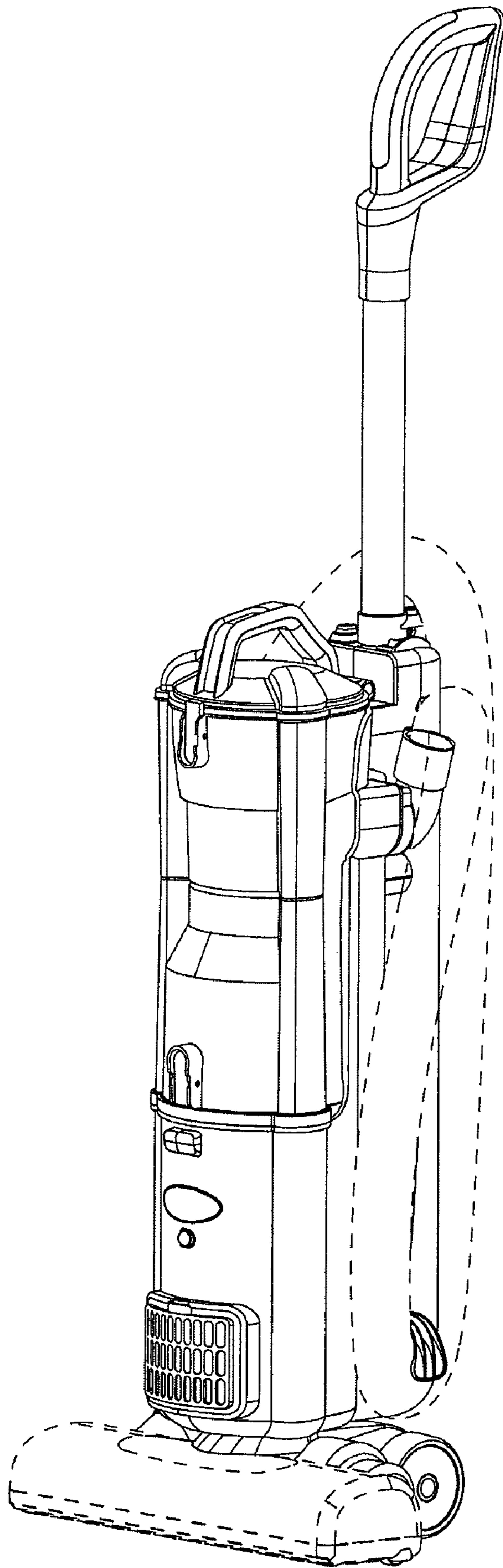


Fig. 1

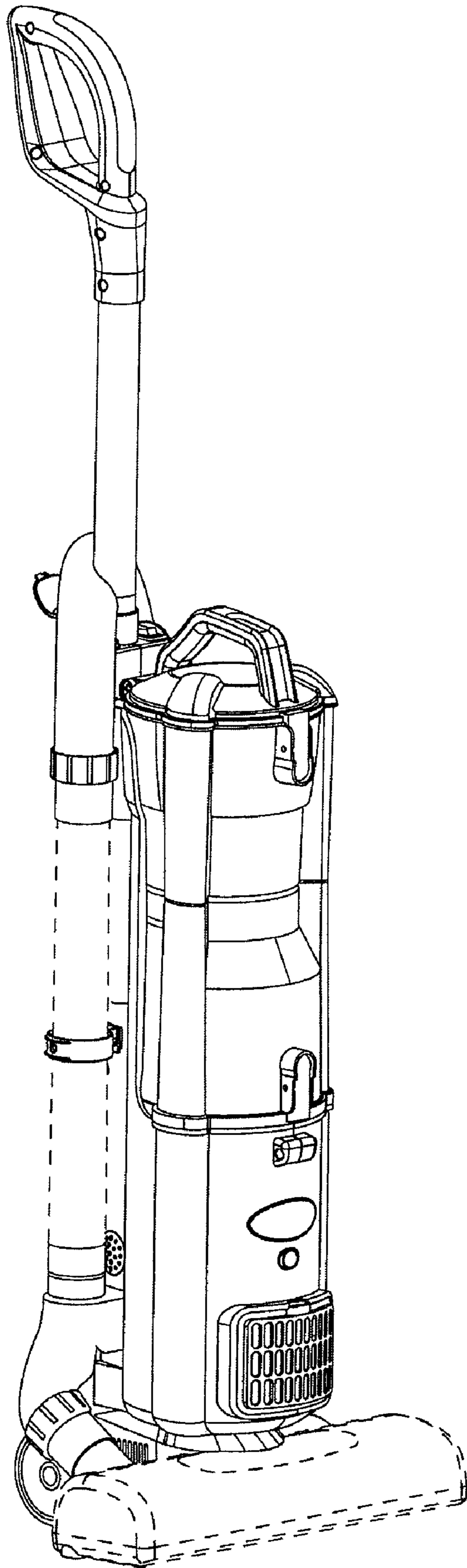


Fig. 2

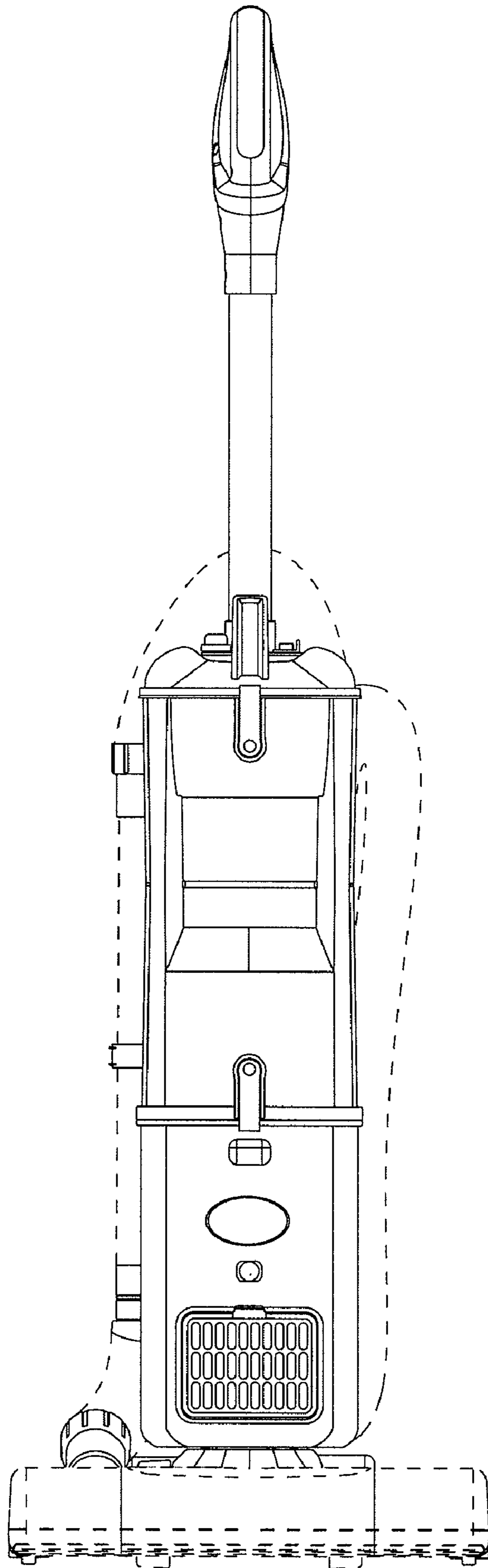


Fig. 3

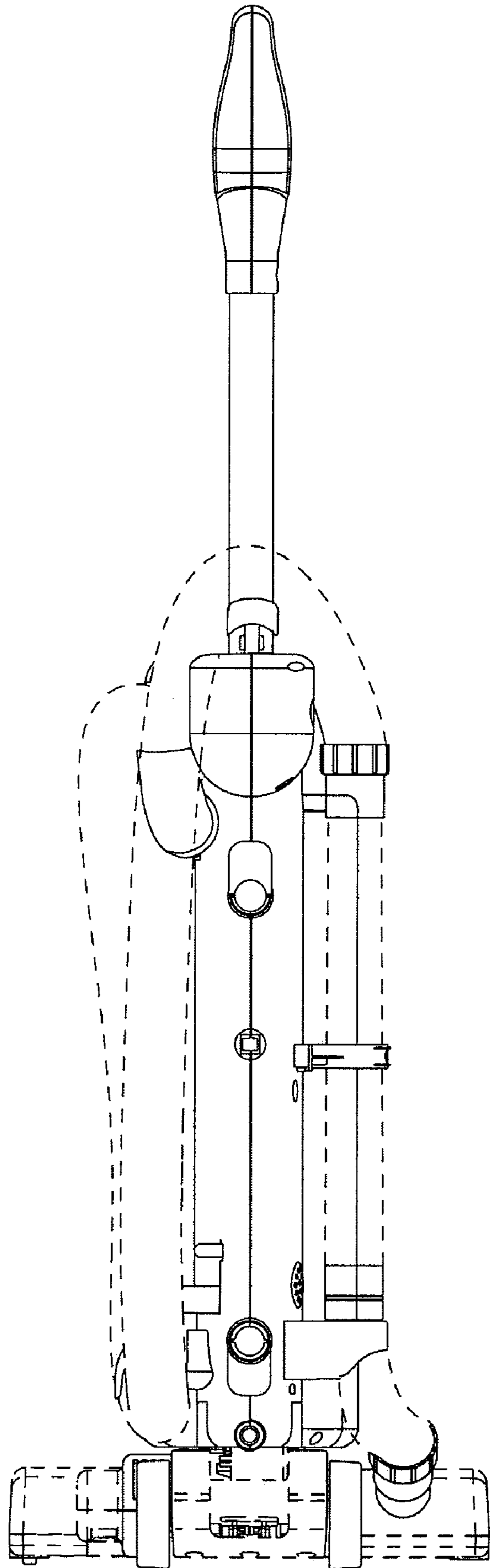


Fig. 4

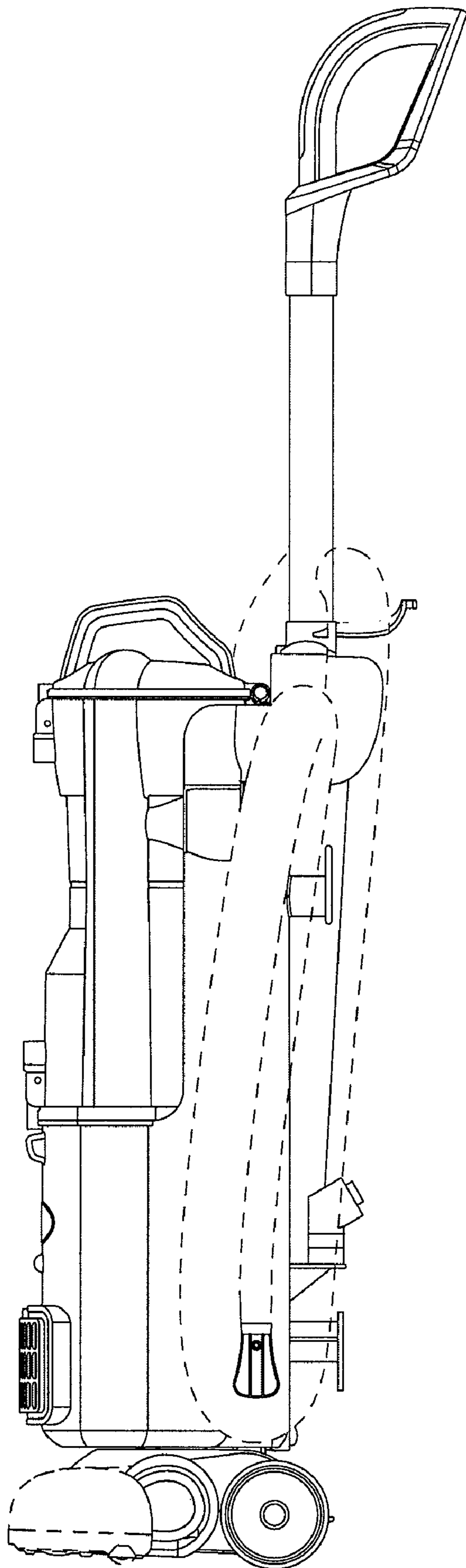


Fig. 5

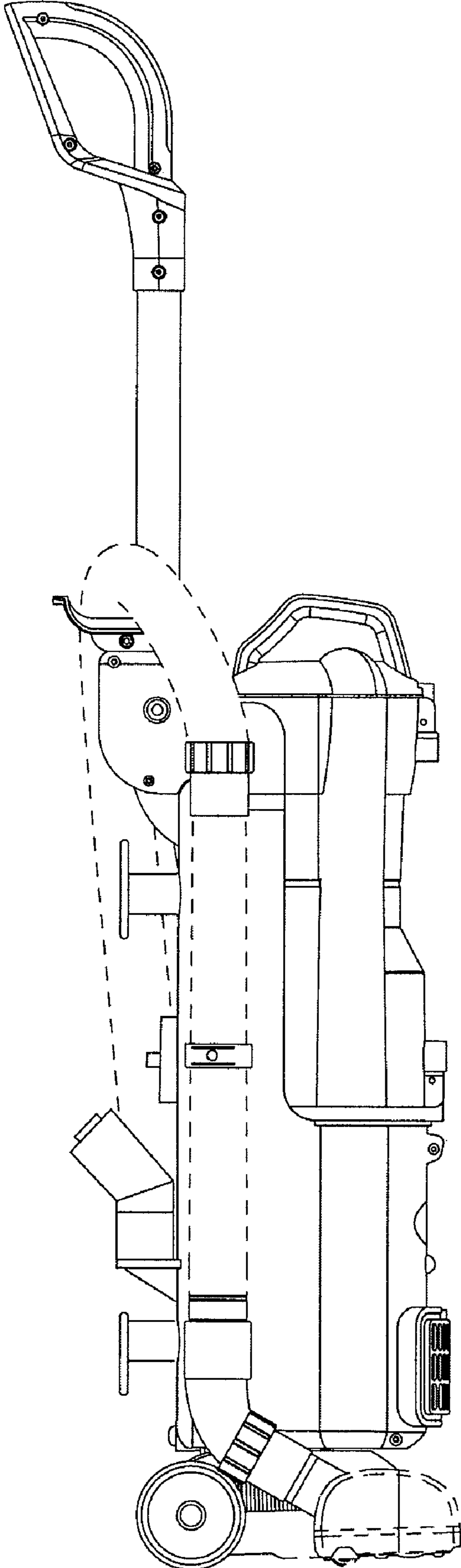


Fig. 6

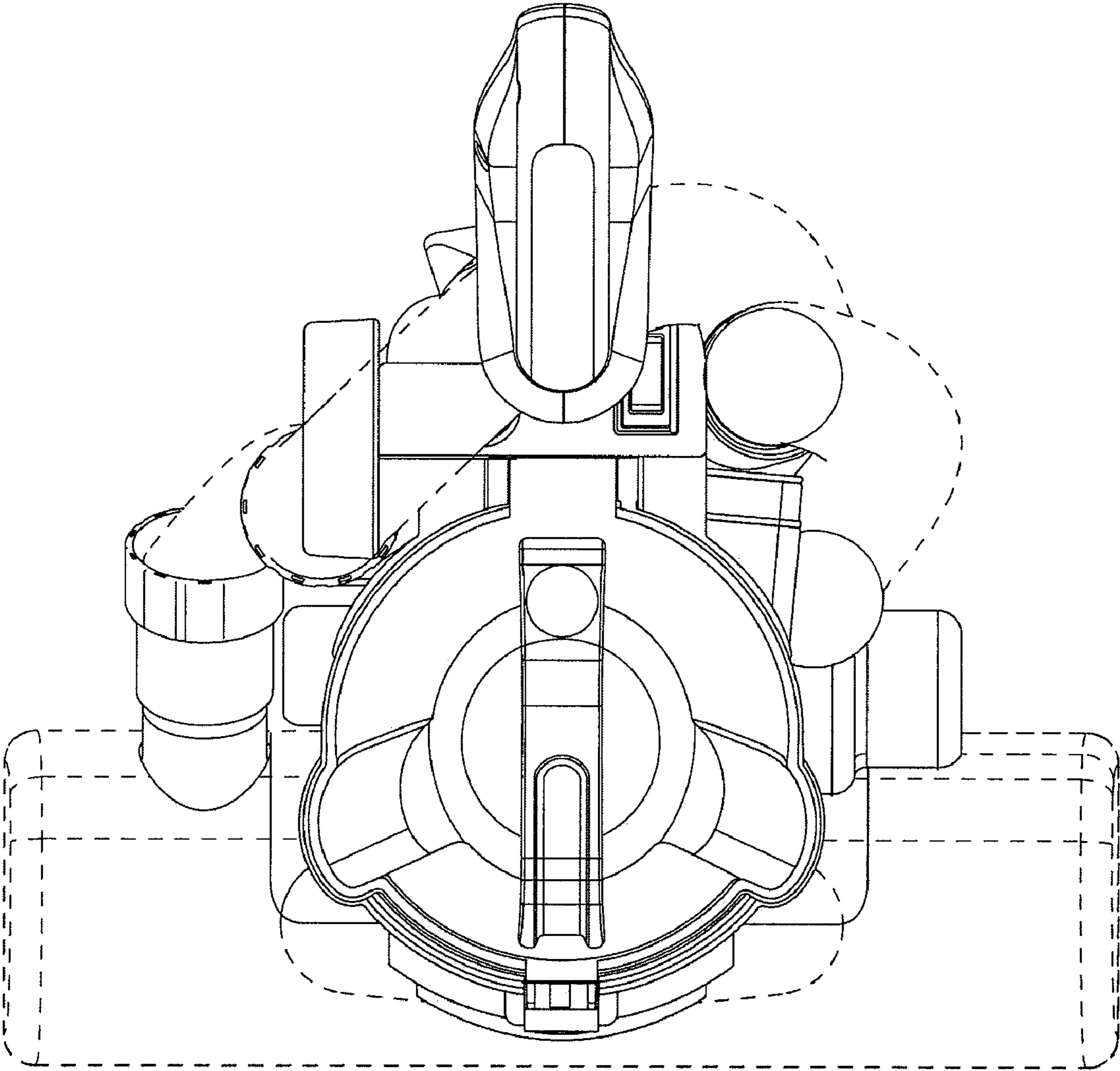


Fig. 7