



US00D611209S

(12) **United States Design Patent**
Shin

(10) **Patent No.:** **US D611,209 S**
(45) **Date of Patent:** **** Mar. 2, 2010**

(54) **STERILIZING VACUUM CLEANER**

(75) Inventor: **Jae Hyung Shin**, Seoul (KR)

(73) Assignee: **Bukang Sems Co., Ltd.**, Incheon (KR)

(**) Term: **14 Years**

(21) Appl. No.: **29/314,948**

(22) Filed: **May 12, 2009**

(51) **LOC (9) Cl.** **15-05**

(52) **U.S. Cl.** **D32/18**

(58) **Field of Classification Search** D32/15-18,
D32/22, 30-31, 34; 15/344, 329, 347, 352-353,
15/331, 338, 412; 55/345, DIG. 3, 337, 429,
55/459.1; 95/268, 271

See application file for complete search history.

(56) **References Cited**

U.S. PATENT DOCUMENTS

- D303,170 S * 8/1989 Hirano D32/18
- D306,657 S * 3/1990 Fushiya et al. D32/18
- D352,141 S * 11/1994 Correa et al. D32/18
- D458,719 S * 6/2002 Waldron et al. D32/21

- 6,836,931 B2 * 1/2005 Bone 15/352
- D569,563 S * 5/2008 Shin et al. D32/18
- D589,218 S * 3/2009 Shin D32/18

* cited by examiner

Primary Examiner—Ruth McInroy

(74) *Attorney, Agent, or Firm*—Lahive & Cockfield, LLP;
EuiHoon Lee, Esq.

(57) **CLAIM**

The ornamental design for sterilizing vacuum cleaner, as shown and described.

DESCRIPTION

FIG. 1 is a perspective view of the sterilizing vacuum cleaner; FIG. 2 is a front view of the sterilizing vacuum cleaner; FIG. 3 is a rear view of the sterilizing vacuum cleaner; FIG. 4 is a left side view of the sterilizing vacuum cleaner; FIG. 5 is a right side view of the sterilizing vacuum cleaner; FIG. 6 is a plan view of the sterilizing vacuum cleaner; and, FIG. 7 is a bottom view of the sterilizing vacuum cleaner.

1 Claim, 7 Drawing Sheets

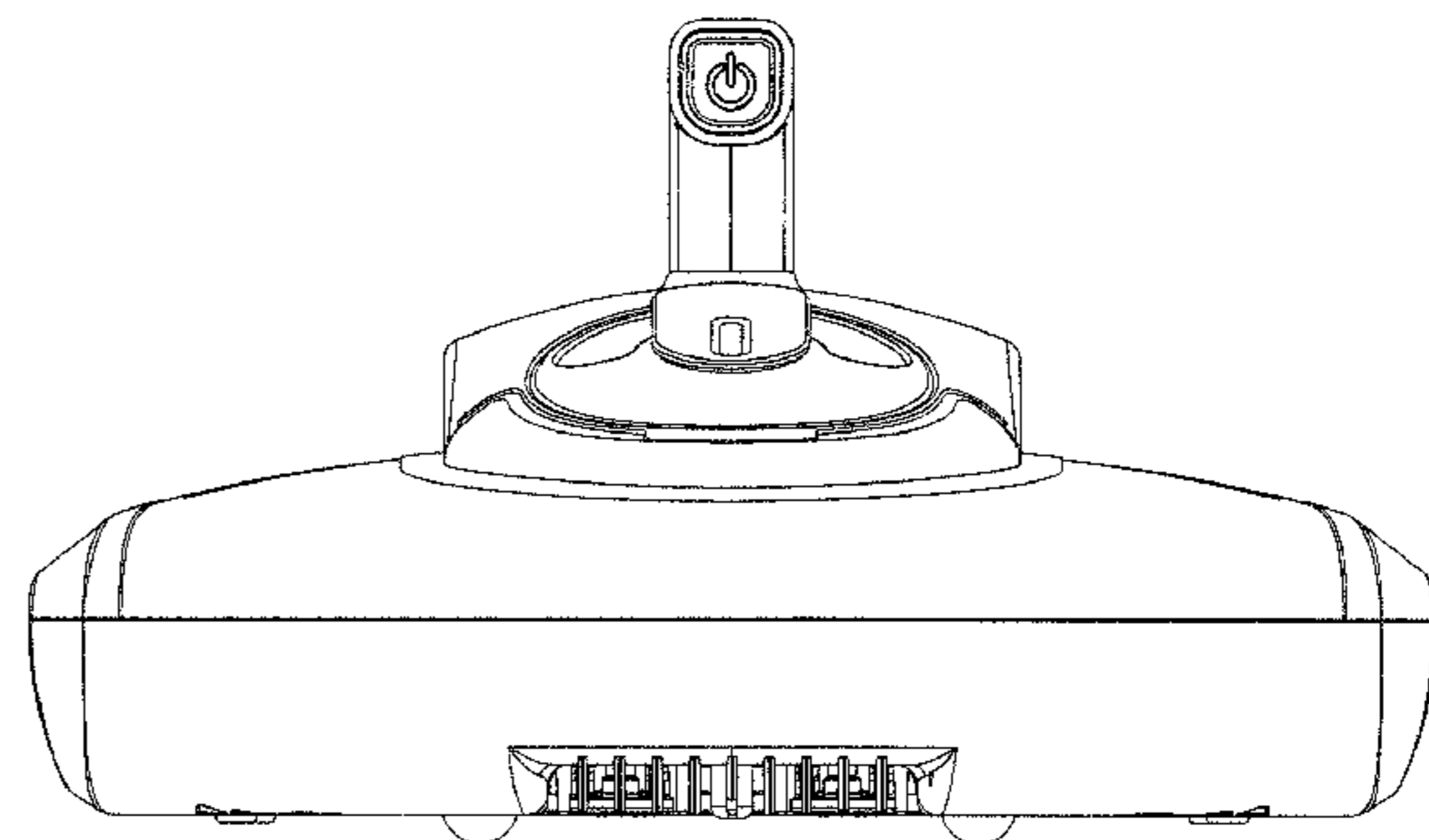
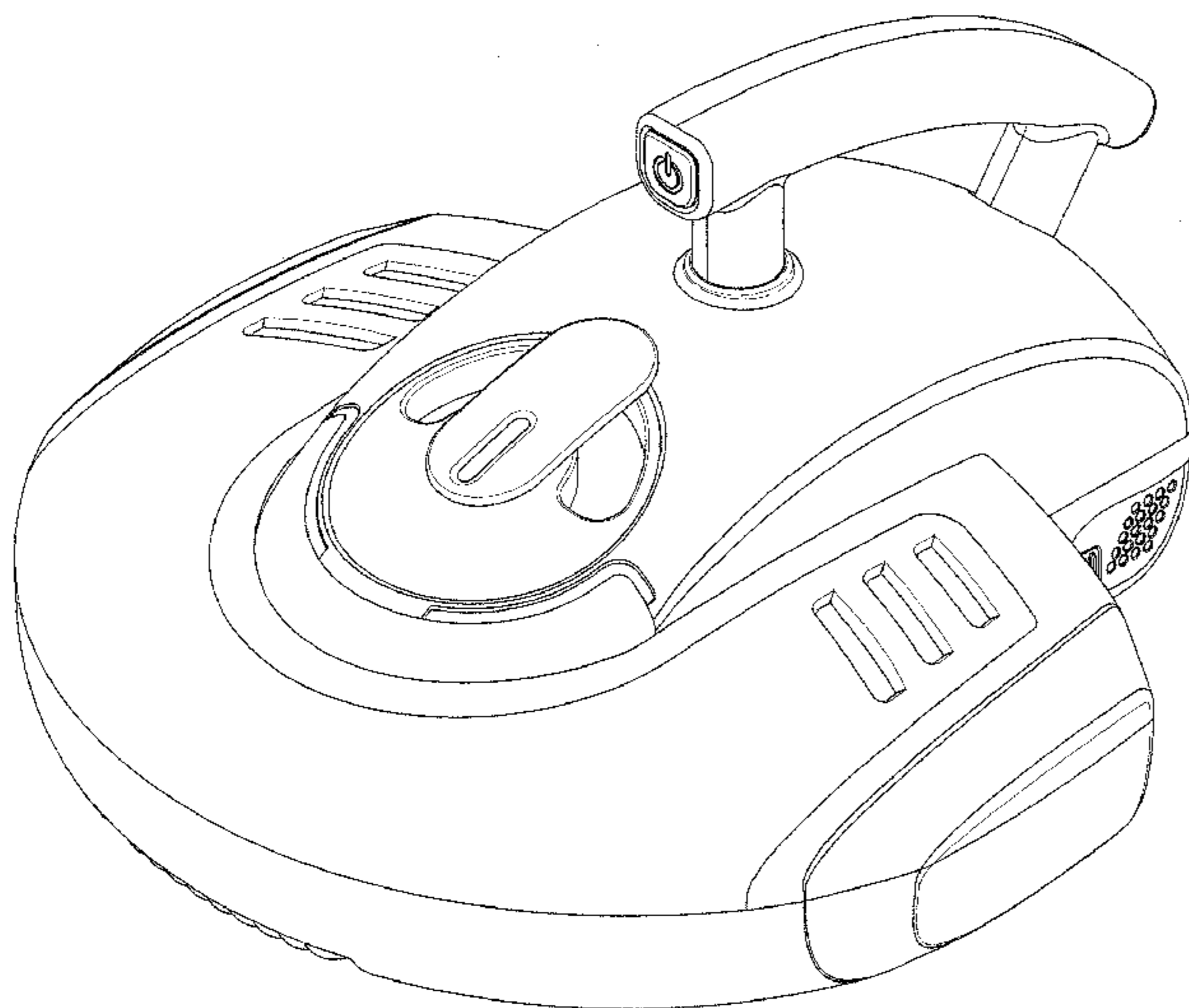


FIG. 1

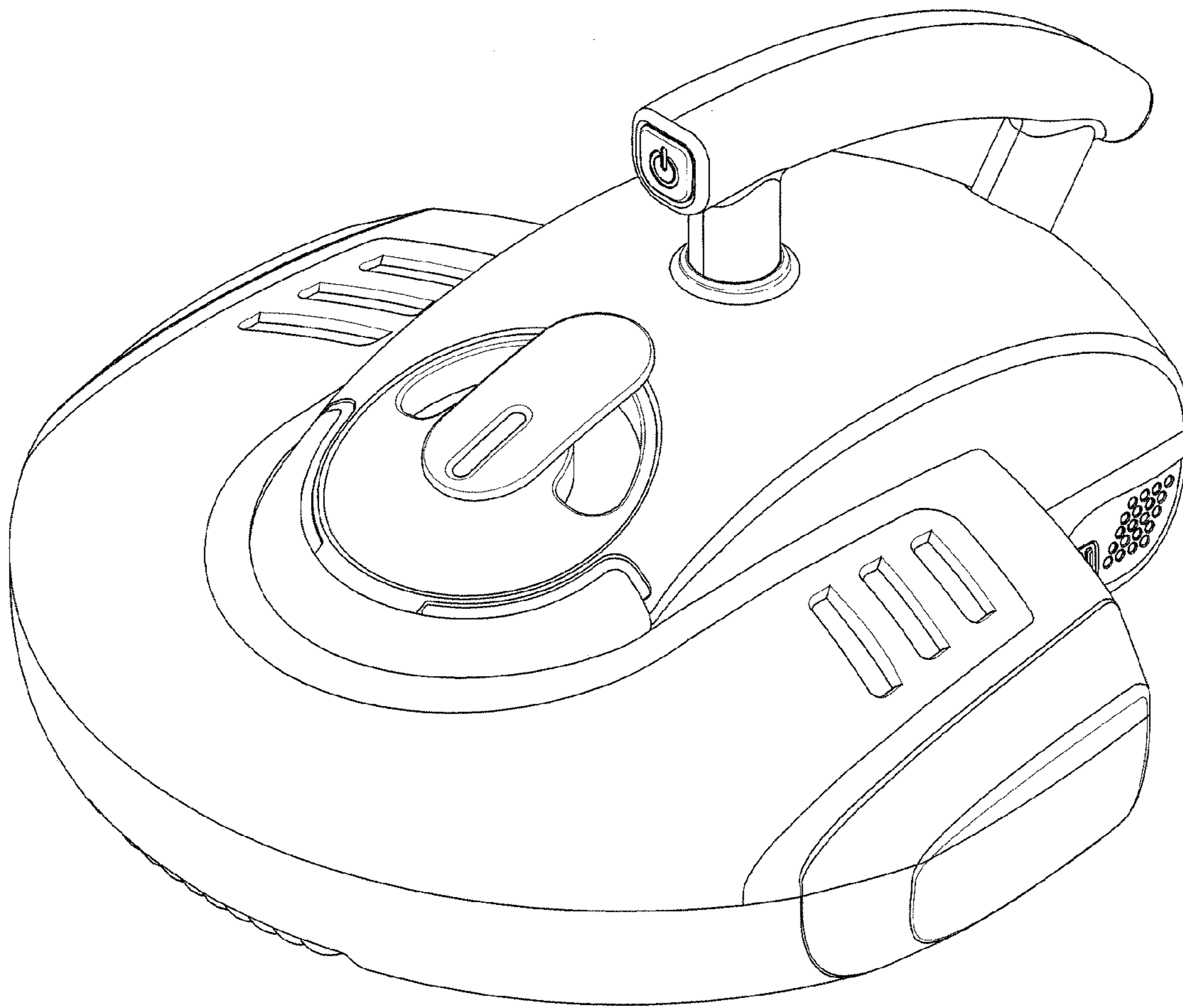


FIG. 2

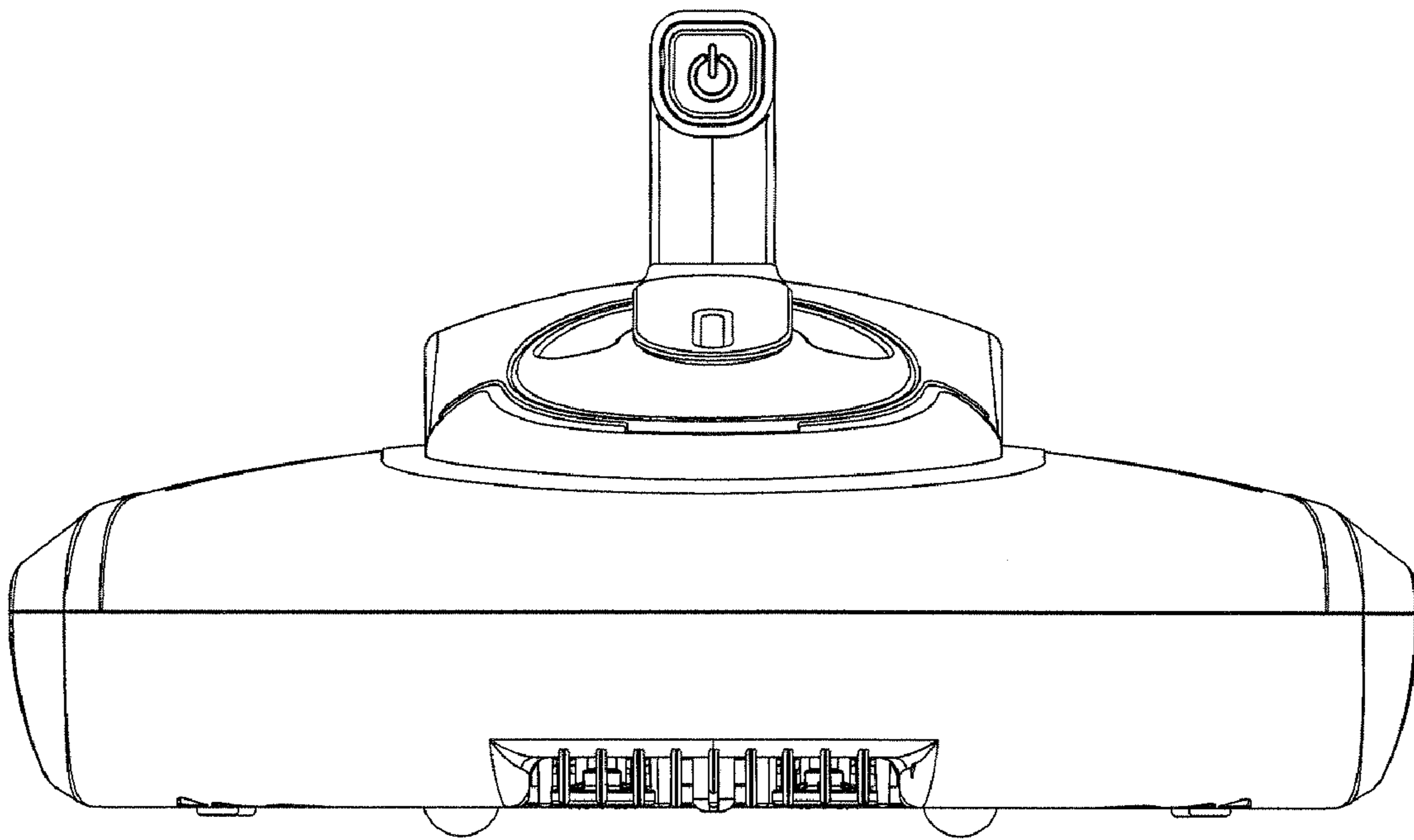


FIG. 3

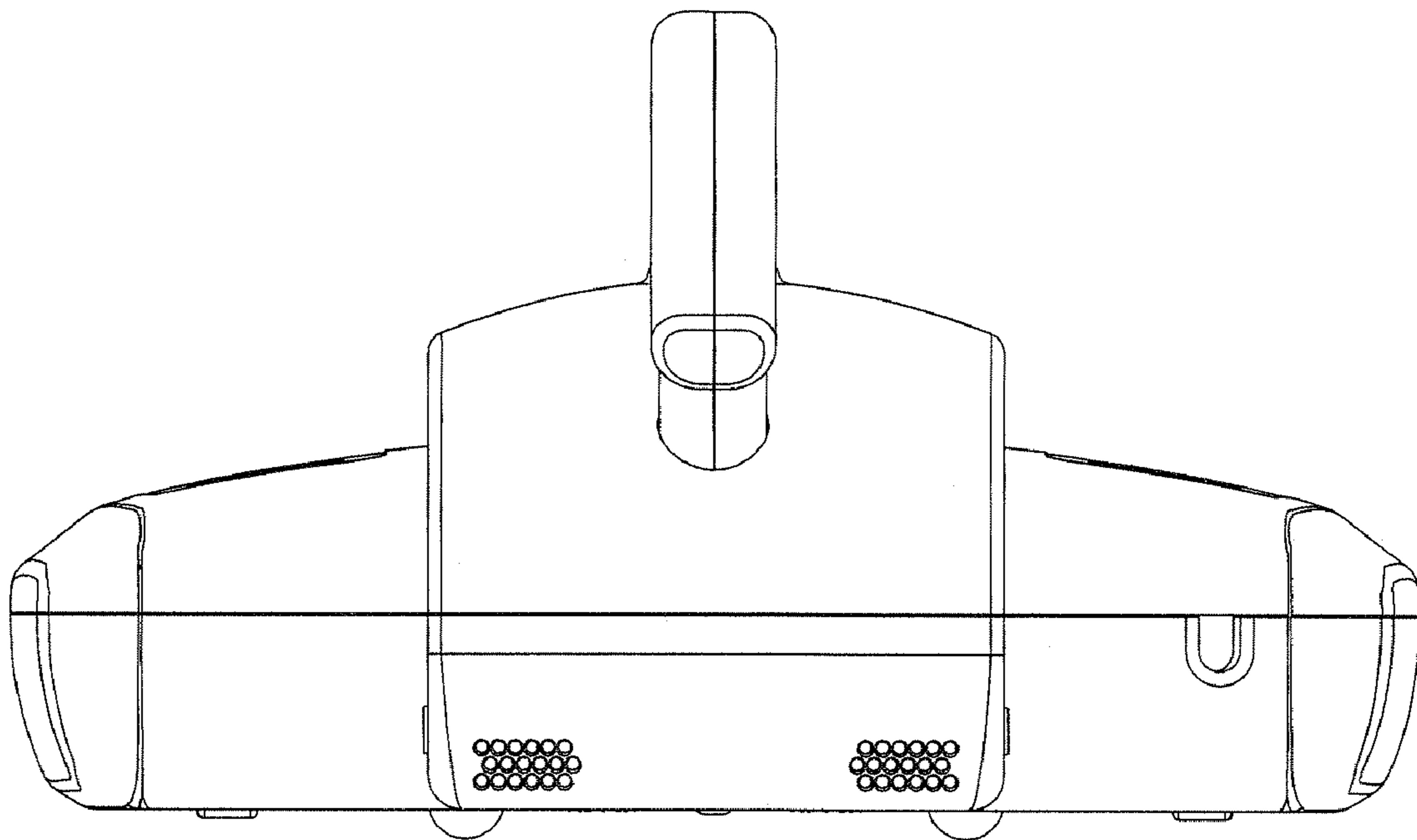


FIG. 4

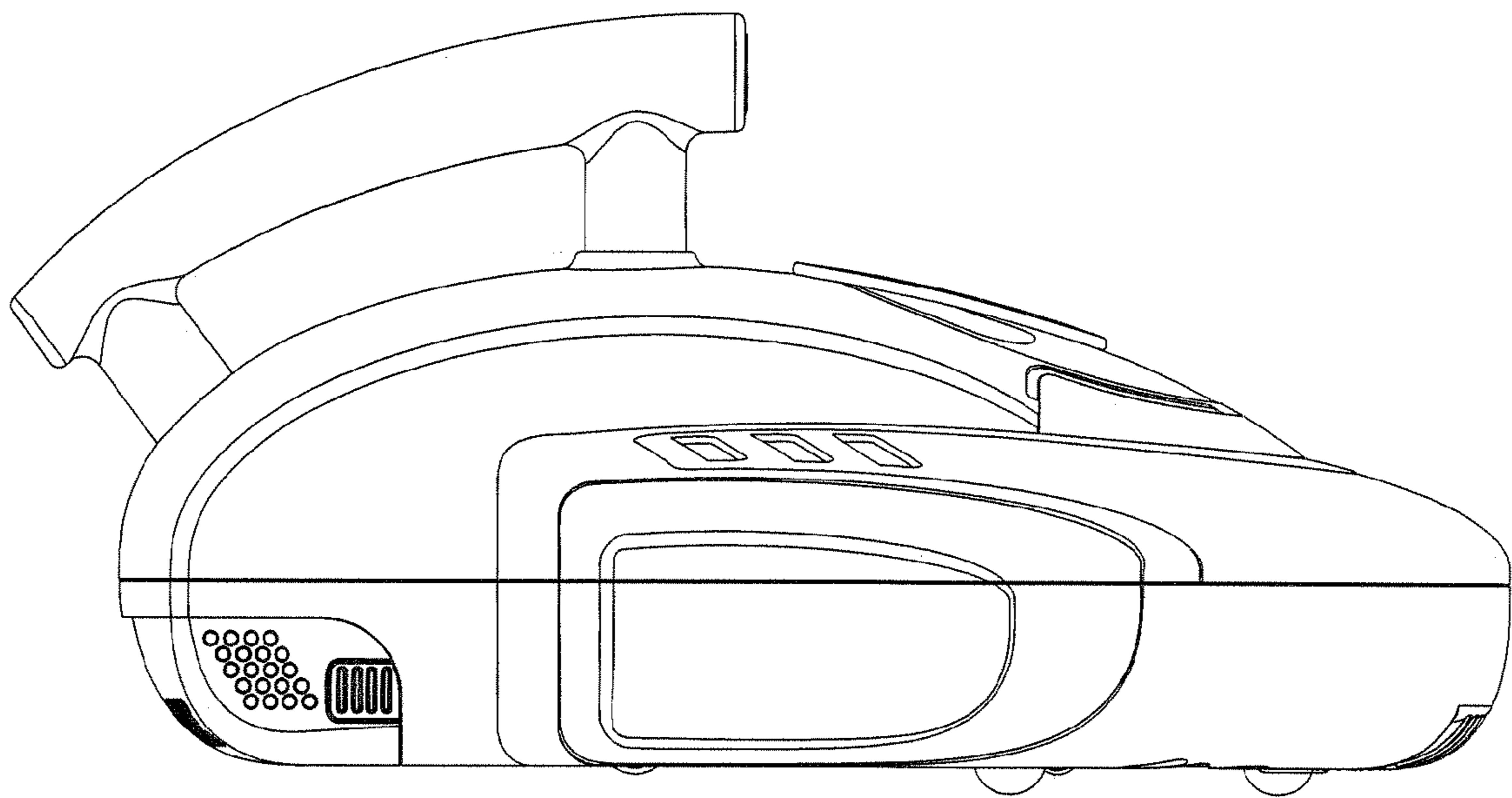


FIG. 5

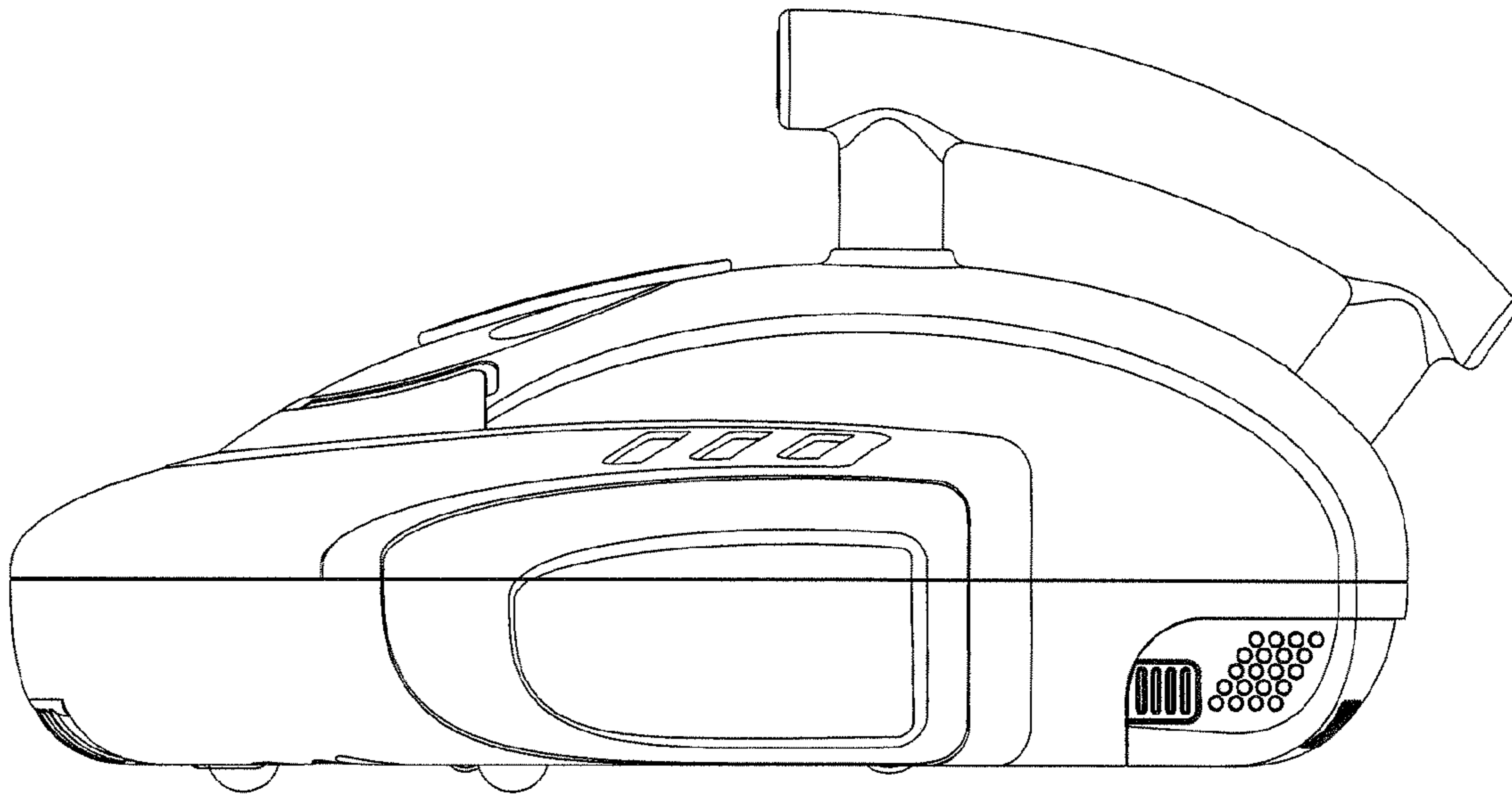


FIG. 6

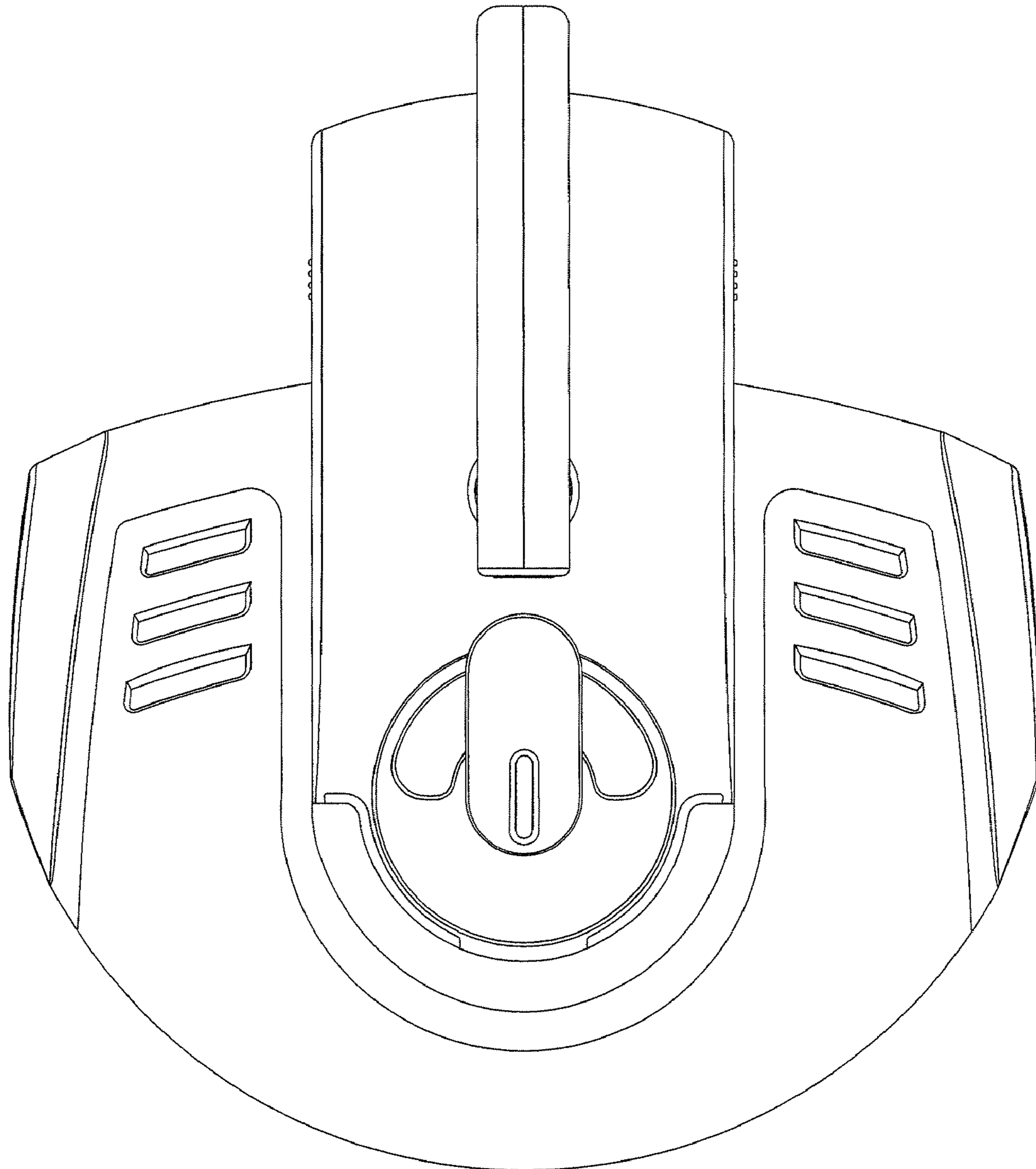


FIG. 7

