



US00D611205S

(12) **United States Design Patent**  
**Kirsentals et al.**

(10) **Patent No.:** **US D611,205 S**  
(45) **Date of Patent:** **\*\* Mar. 2, 2010**

(54) **DOG WASTE DISPOSAL UNIT**

D578,877 S \* 10/2008 Lovett ..... D9/425

(76) Inventors: **Andris Kirsentals**, Ganibu iela  
77/79-39, Liepaja (LV) LV-3401; **Arturs**  
**Zalmansons**, Ganibu iela 77/79-39,  
Liepaja (LV) LV-3401

\* cited by examiner

*Primary Examiner*—Mitchell I Siegel  
(74) *Attorney, Agent, or Firm*—Buchanan Ingersoll &  
Rooney PC

(\*\*) Term: **14 Years**

(57) **CLAIM**

(21) Appl. No.: **29/290,135**

The ornamental design for a dog waste disposal unit, as  
shown and described.

(22) Filed: **Oct. 24, 2007**

(30) **Foreign Application Priority Data**

Apr. 26, 2007 (EM) ..... 000723317

**DESCRIPTION**

(51) **LOC (9) Cl.** ..... **30-99**

FIG. 1 is a front, bottom, and right side perspective view of a  
dog waste disposal unit showing our new design in a closed  
configuration.

(52) **U.S. Cl.** ..... **D30/161**

FIG. 2 is a bottom, front and left side perspective view thereof  
in a closed configuration.

(58) **Field of Classification Search** ..... D30/161;  
D9/426, 761; 294/1.3, 1.4, 4.5, 25, 55; 15/257.6;  
229/117.03, 117.09

FIG. 3 is a top, front and left side perspective view thereof in  
a partially open configuration.

See application file for complete search history.

FIG. 4 is a rear, bottom and right side perspective view thereof  
in a partially open configuration.

(56) **References Cited**

**U.S. PATENT DOCUMENTS**

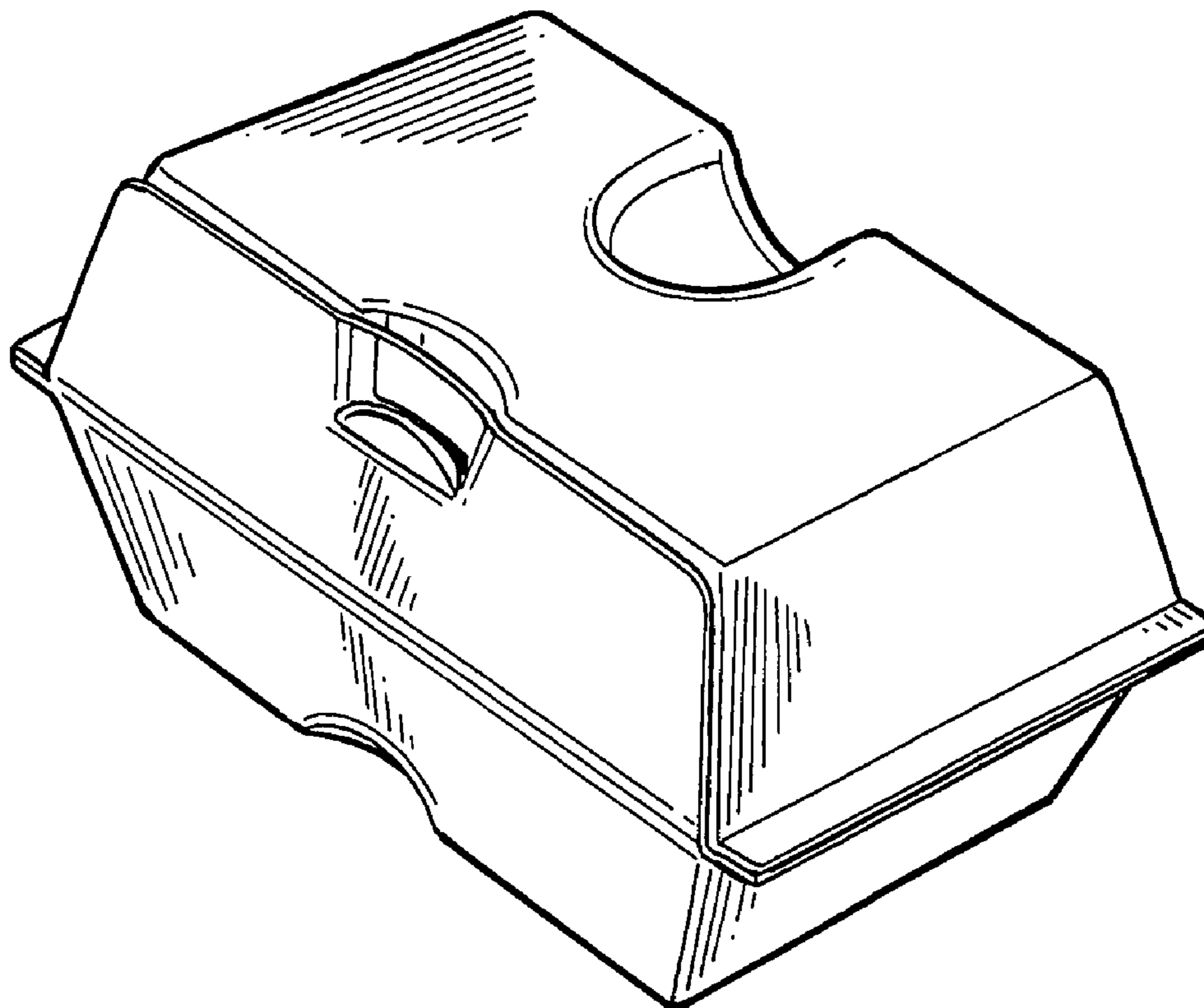
3,685,088 A \* 8/1972 Doherty ..... 294/1.3  
3,831,557 A \* 8/1974 Elesh ..... D30/161  
4,148,510 A \* 4/1979 Brack et al. .... 294/1.3  
4,188,055 A \* 2/1980 Green ..... 294/1.3  
4,747,633 A \* 5/1988 Stacy ..... 294/1.3  
D381,136 S \* 7/1997 Savicki ..... D30/161

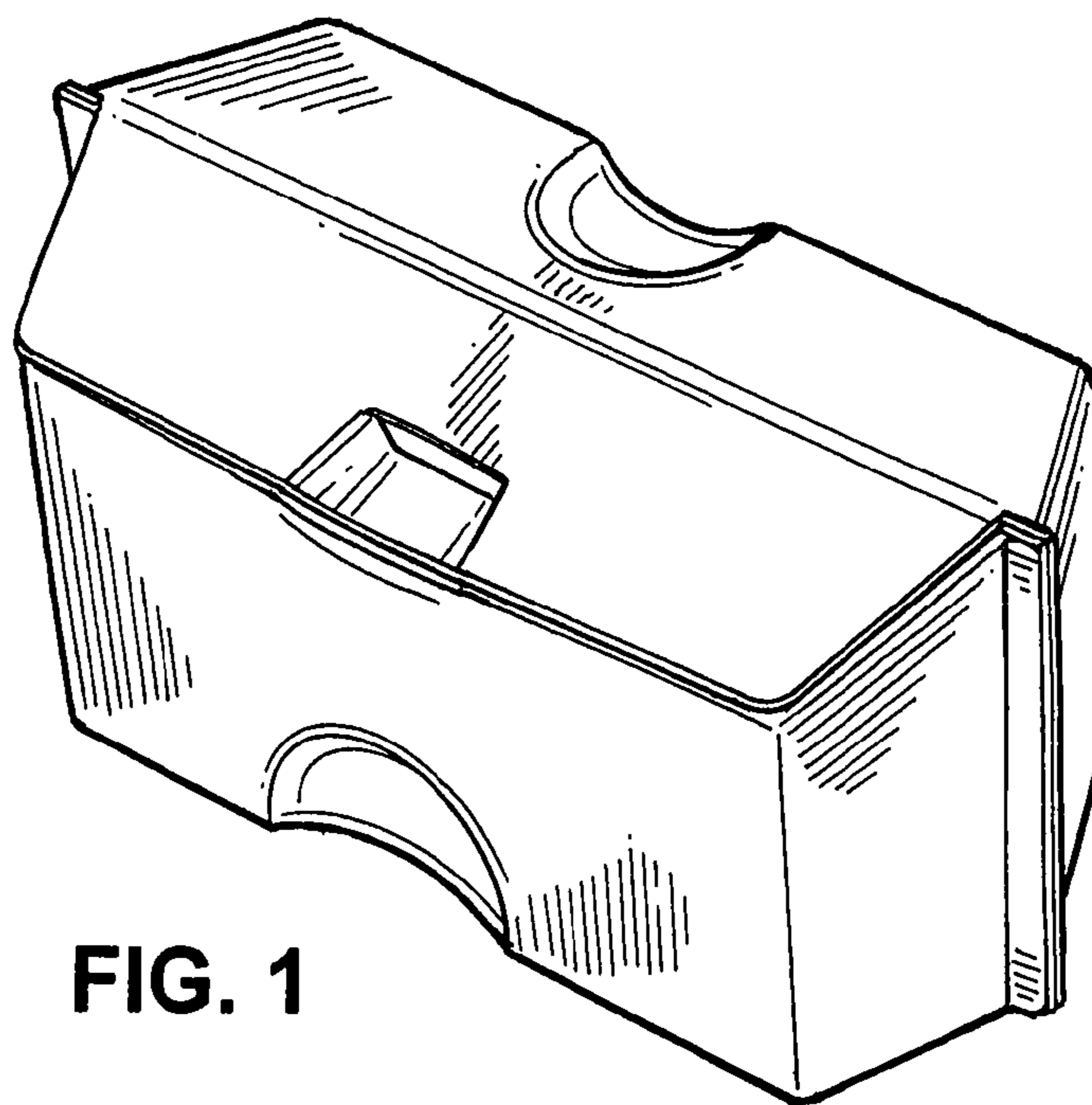
FIG. 5 is a rear, bottom and right side perspective view thereof  
in a partially open configuration.

FIG. 6 is a bottom perspective view thereof in a partially open  
configuration; and,

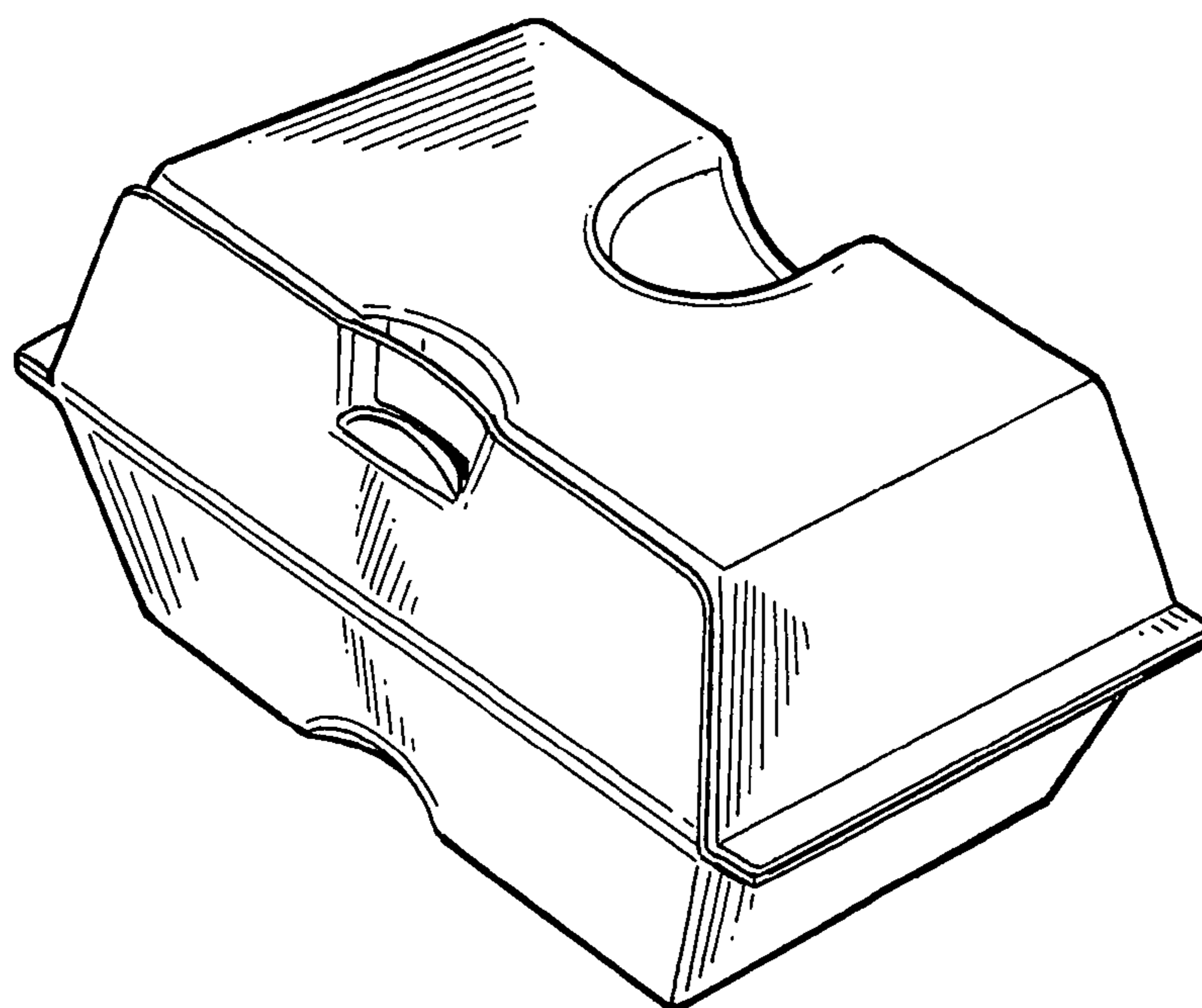
FIG. 7 is a bottom perspective view thereof in a partially open  
configuration.

**1 Claim, 4 Drawing Sheets**





**FIG. 1**



**FIG. 2**

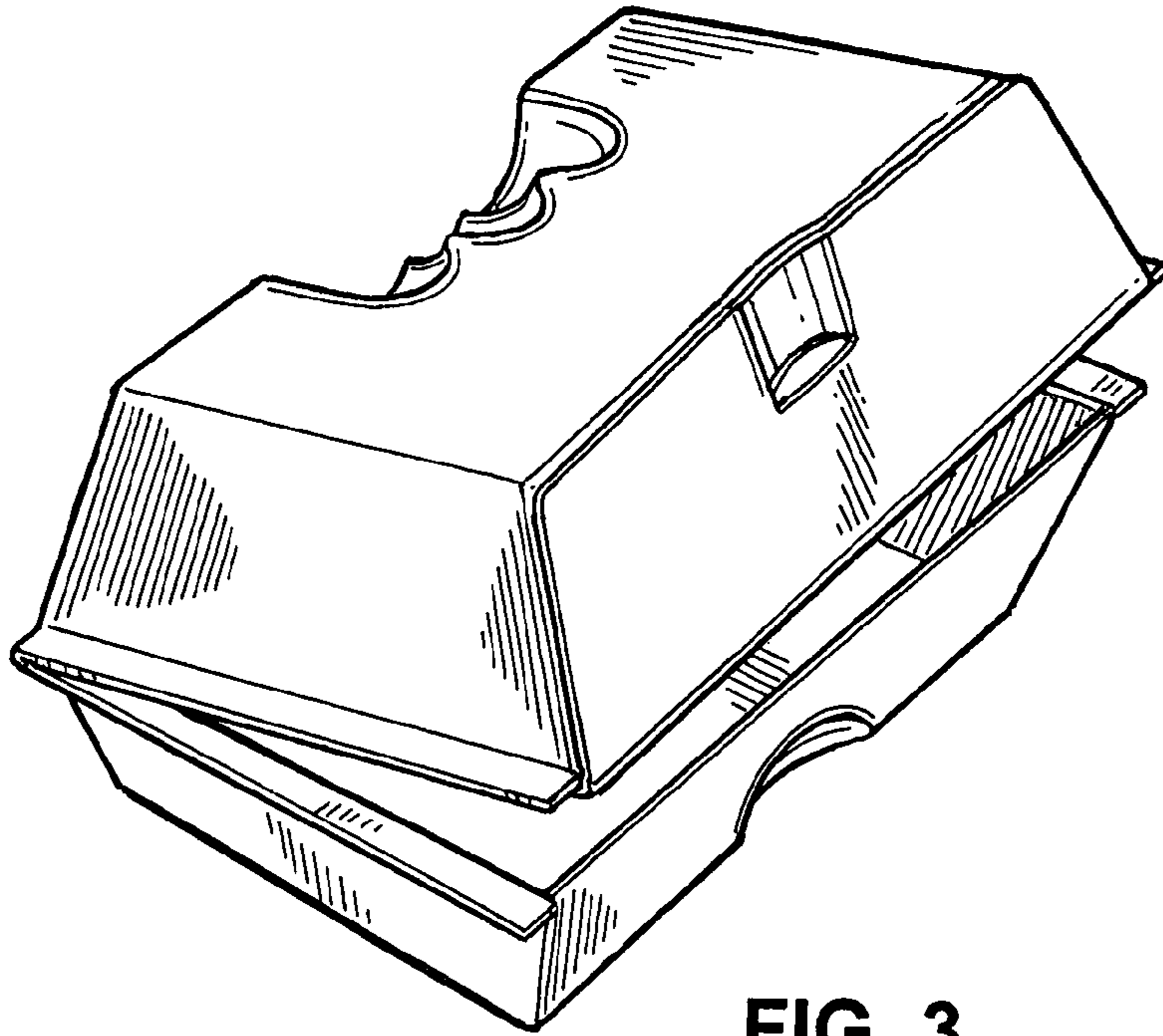


FIG. 3

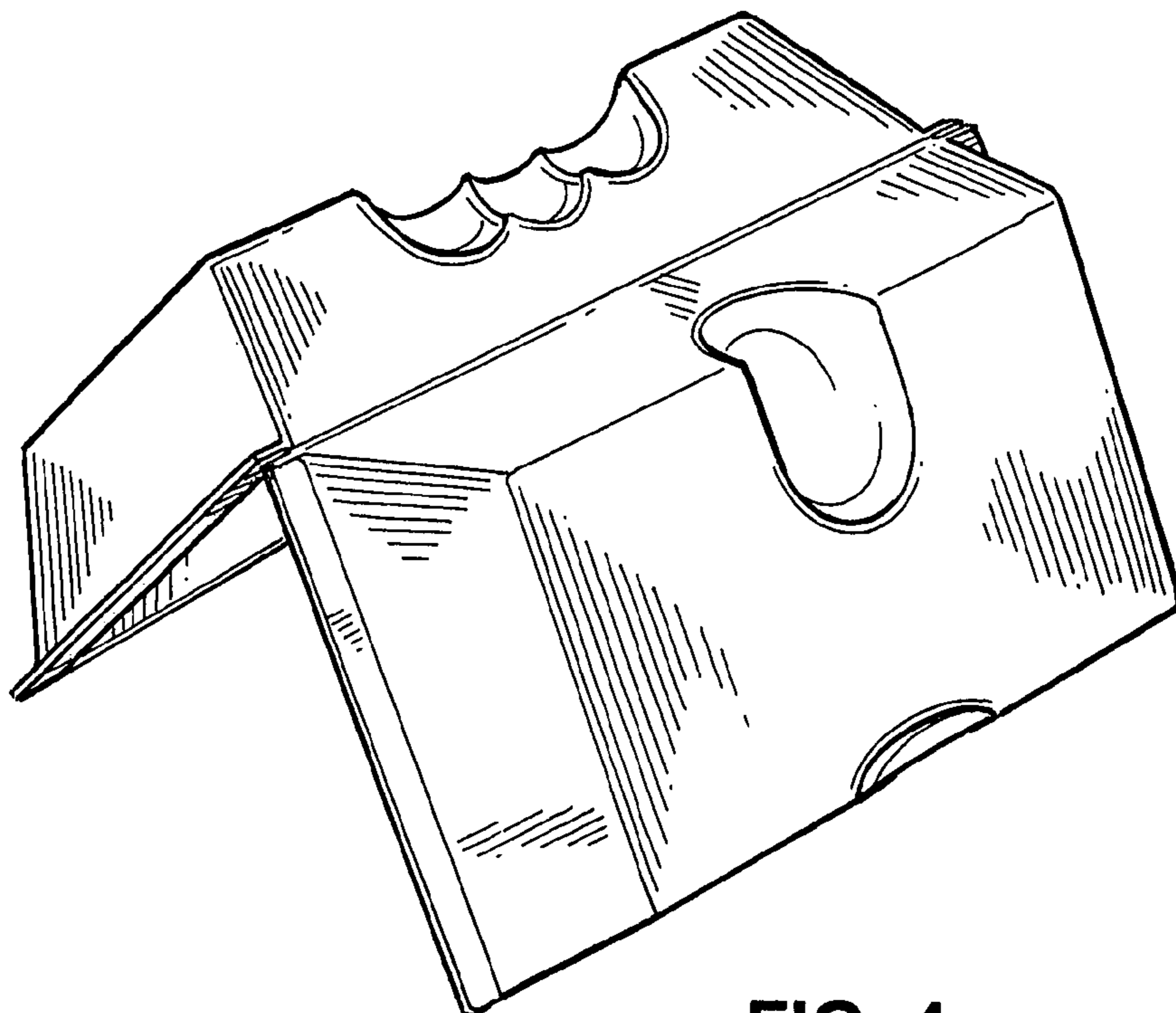


FIG. 4



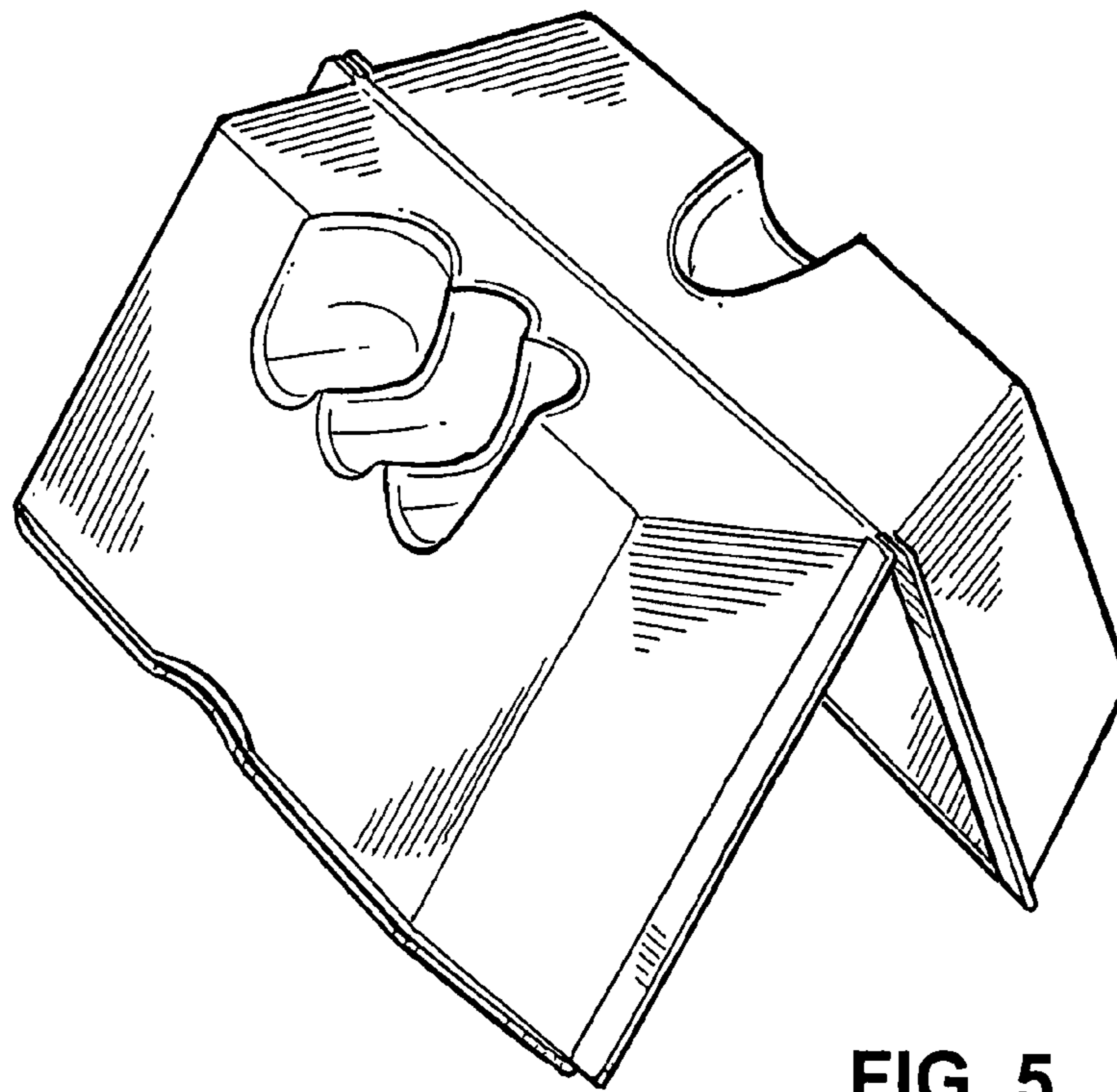


FIG. 5

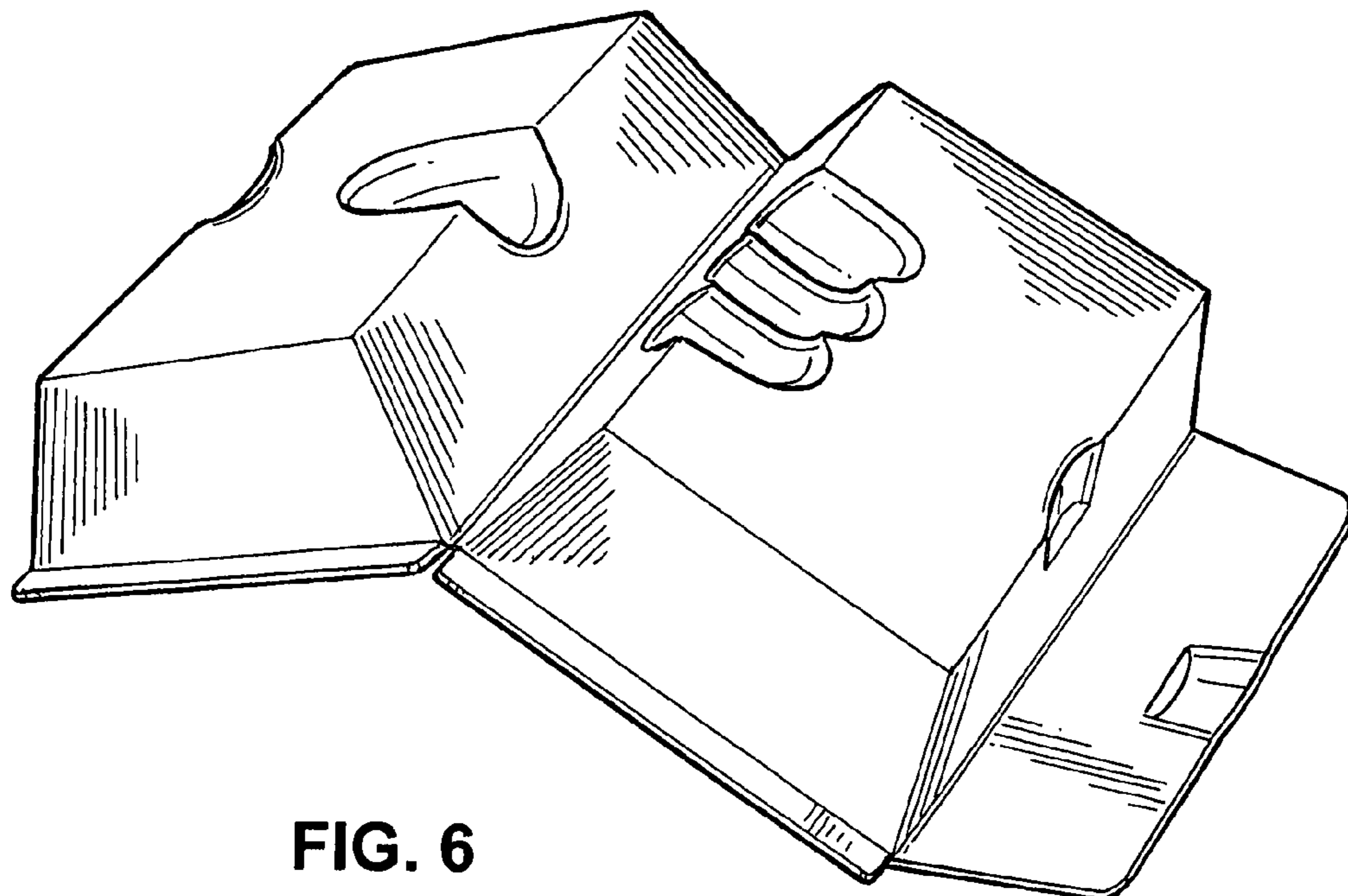


FIG. 6

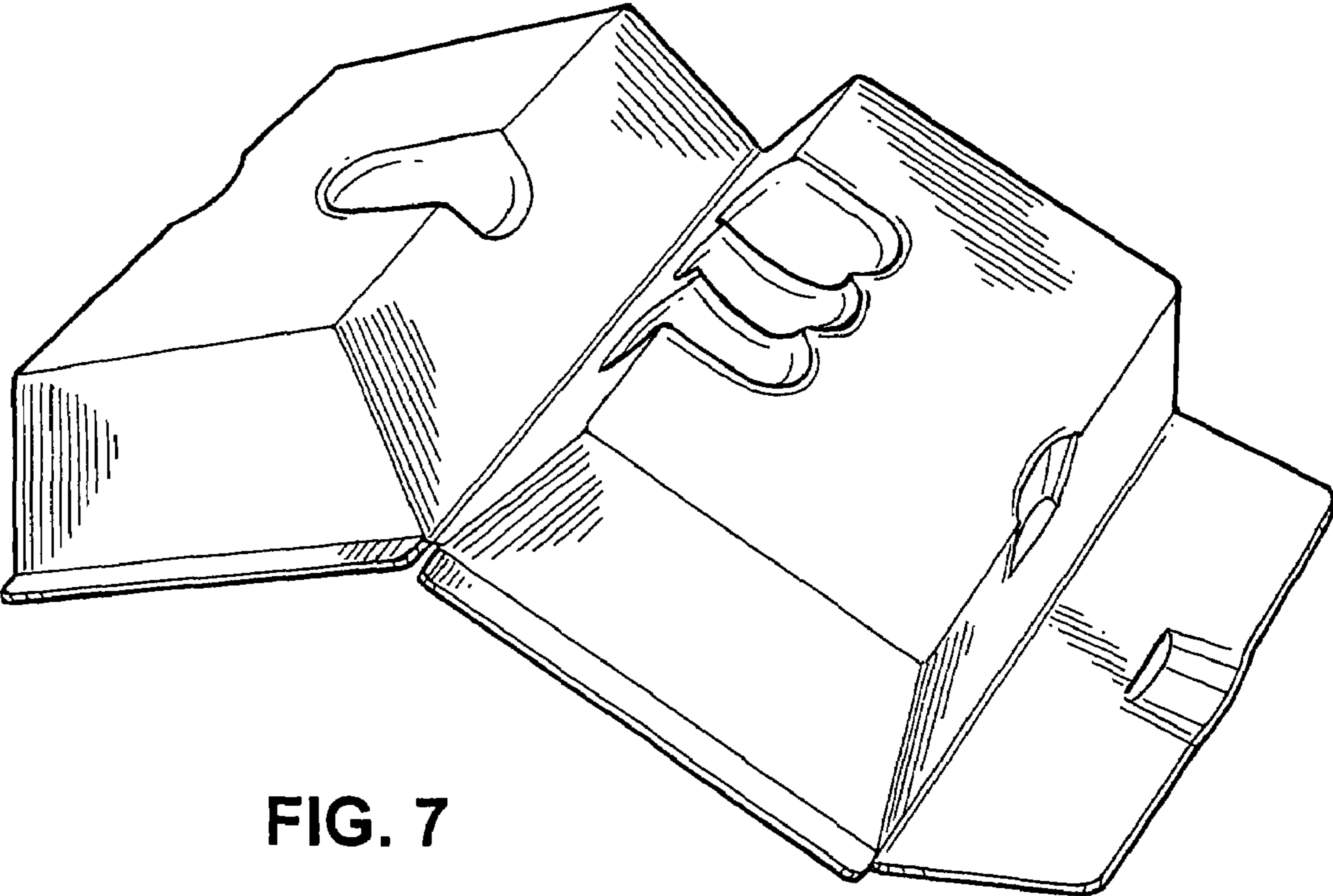


FIG. 7