



US00D611203S

(12) **United States Design Patent**  
**Jager**

(10) **Patent No.:** **US D611,203 S**  
(45) **Date of Patent:** **\*\* Mar. 2, 2010**

(54) **TOY FOR ANIMALS**

D593,876 S \* 6/2009 Hayden et al. .... D9/772  
D596,048 S \* 7/2009 Hayden et al. .... D9/772  
D601,311 S \* 9/2009 DeSeguirant, Jr. .... D30/160

(75) Inventor: **Claudius Jager**, Boulder, CO (US)

(73) Assignee: **Artemis Rubber Technology Inc.**,  
Longmont, CO (US)

(\*\*) Term: **14 Years**

(21) Appl. No.: **29/263,286**

(22) Filed: **Jul. 20, 2006**

(51) **LOC (9) Cl.** ..... **30-99**

(52) **U.S. Cl.** ..... **D30/160**

(58) **Field of Classification Search** ..... D30/160,  
D30/199; D1/106; D21/414, 487, 490, 493,  
D21/707-714; D9/738, 763; 119/702, 707-711;  
15/97.1-103.5; 473/595, 612

See application file for complete search history.

(56) **References Cited**

**U.S. PATENT DOCUMENTS**

D327,424 S \* 6/1992 Pierce ..... D9/518  
D357,414 S \* 4/1995 Kornick et al. .... D9/776  
D396,916 S \* 8/1998 Ochs, Sr. .... D34/4  
D399,419 S \* 10/1998 Edson ..... D9/668  
D404,974 S \* 2/1999 Kristinik ..... D7/608  
D432,015 S \* 10/2000 Holiday ..... D9/772  
D511,686 S \* 11/2005 Yaeger ..... D9/518  
D572,426 S \* 7/2008 McCollum et al. .... D1/106

\* cited by examiner

*Primary Examiner*—T. Chase Nelson

*Assistant Examiner*—Michael A Pratt

(74) *Attorney, Agent, or Firm*—Robert W. Becker; Robert  
Becker & Associates

(57) **CLAIM**

The ornamental design for a toy for animals, as shown and  
described.

**DESCRIPTION**

FIG. 1 is a top perspective view showing my toy for animals

FIG. 2 is a bottom perspective view thereof;

FIG. 3 is a front view thereof;

FIG. 4 is a back view thereof;

FIG. 5 is a right side view thereof;

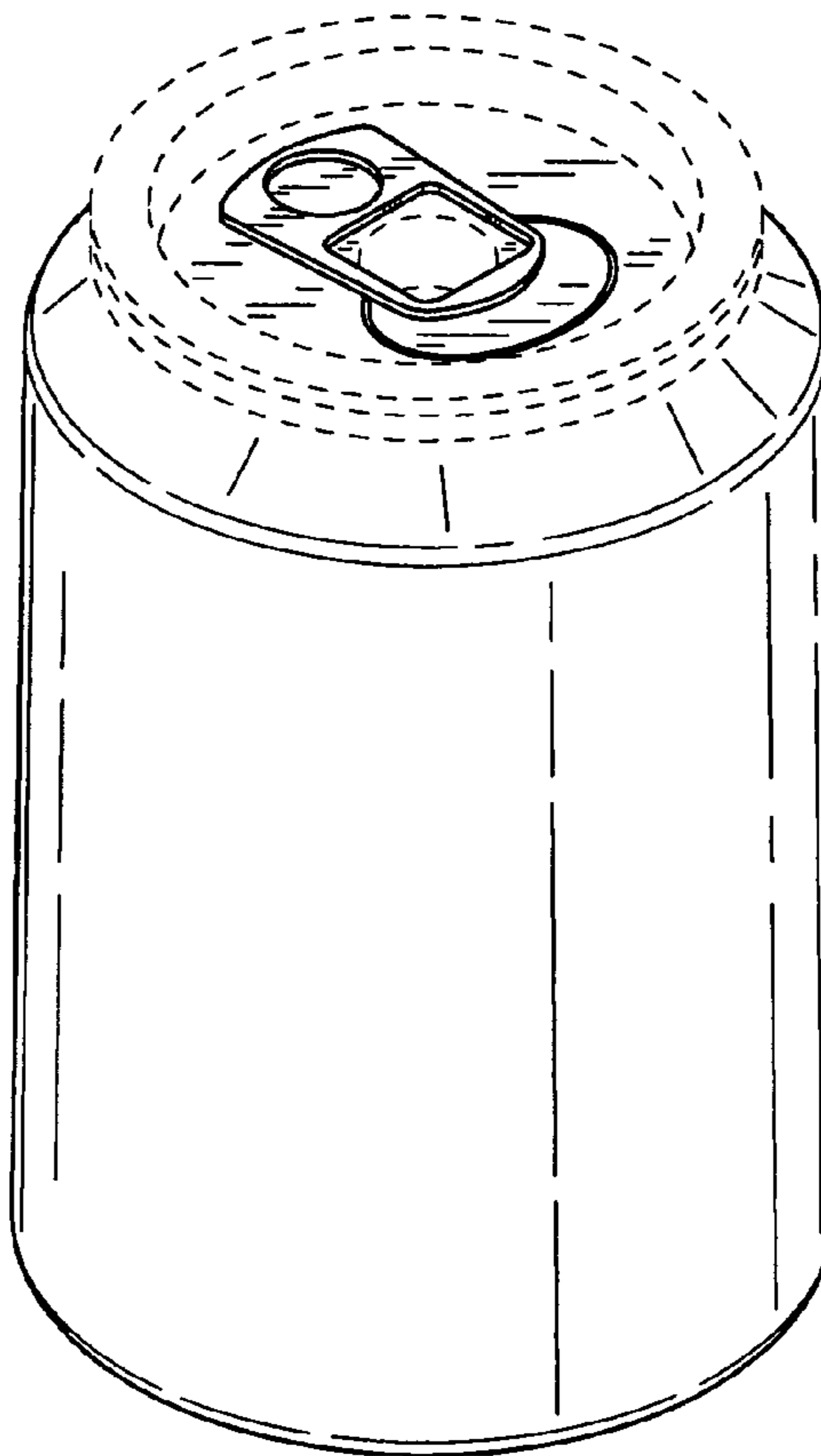
FIG. 6 is a left side view thereof;

FIG. 7 is a top view thereof; and,

FIG. 8 is a bottom view thereof.

The broken line showing is for illustrative purposes only and  
forms no part of the claimed design.

**1 Claim, 4 Drawing Sheets**



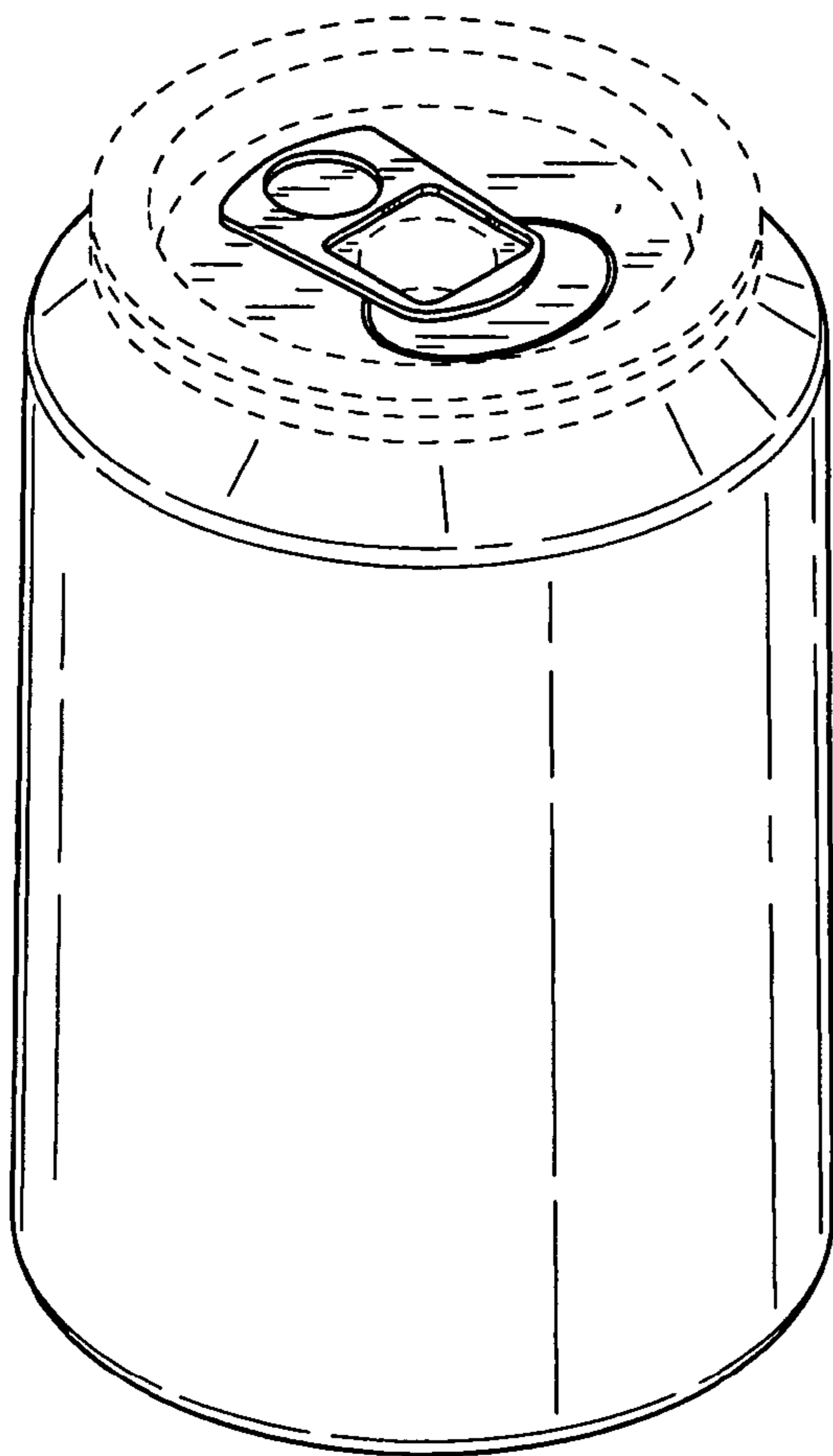


FIG. 1

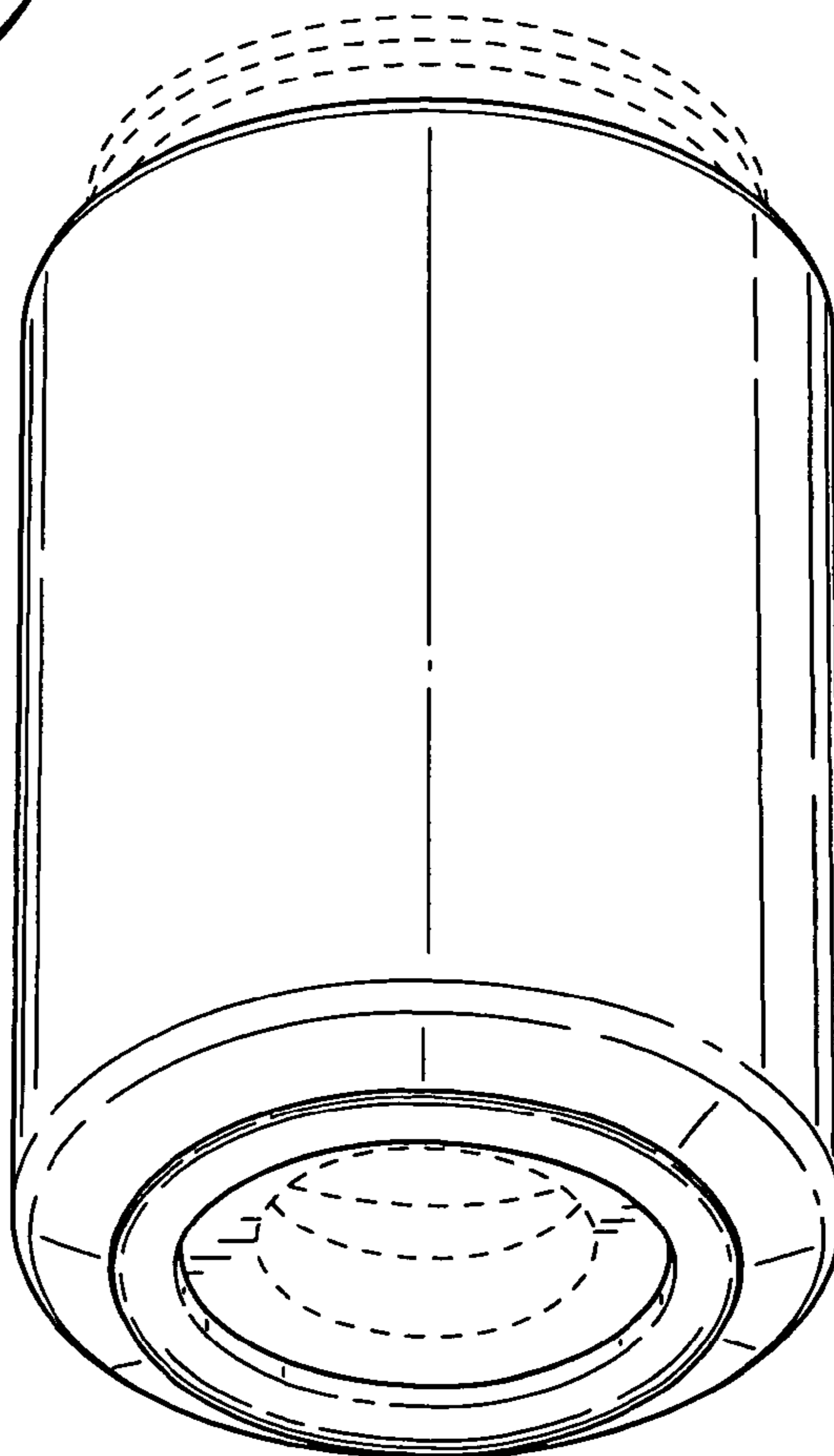


FIG. 2

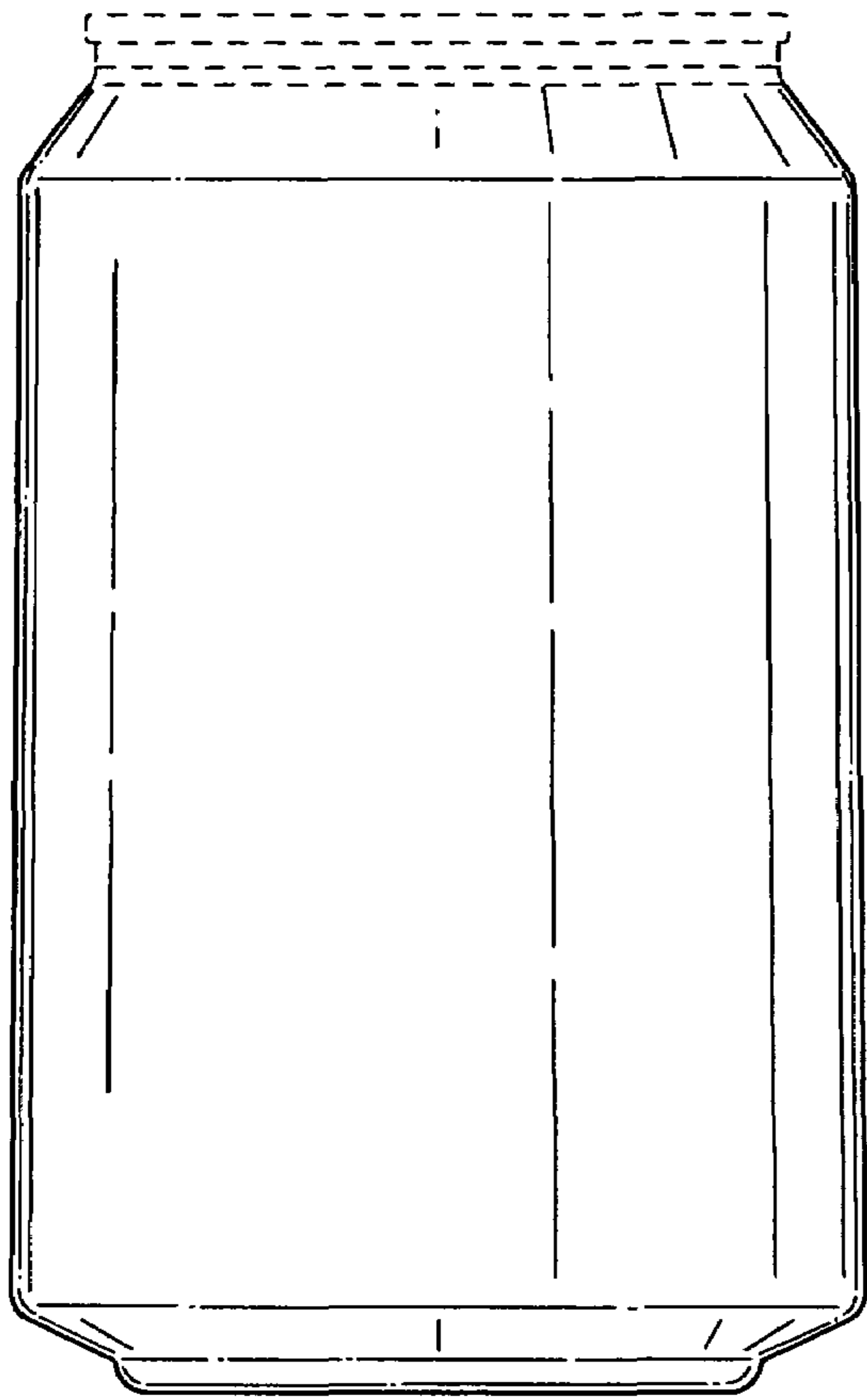


FIG.3

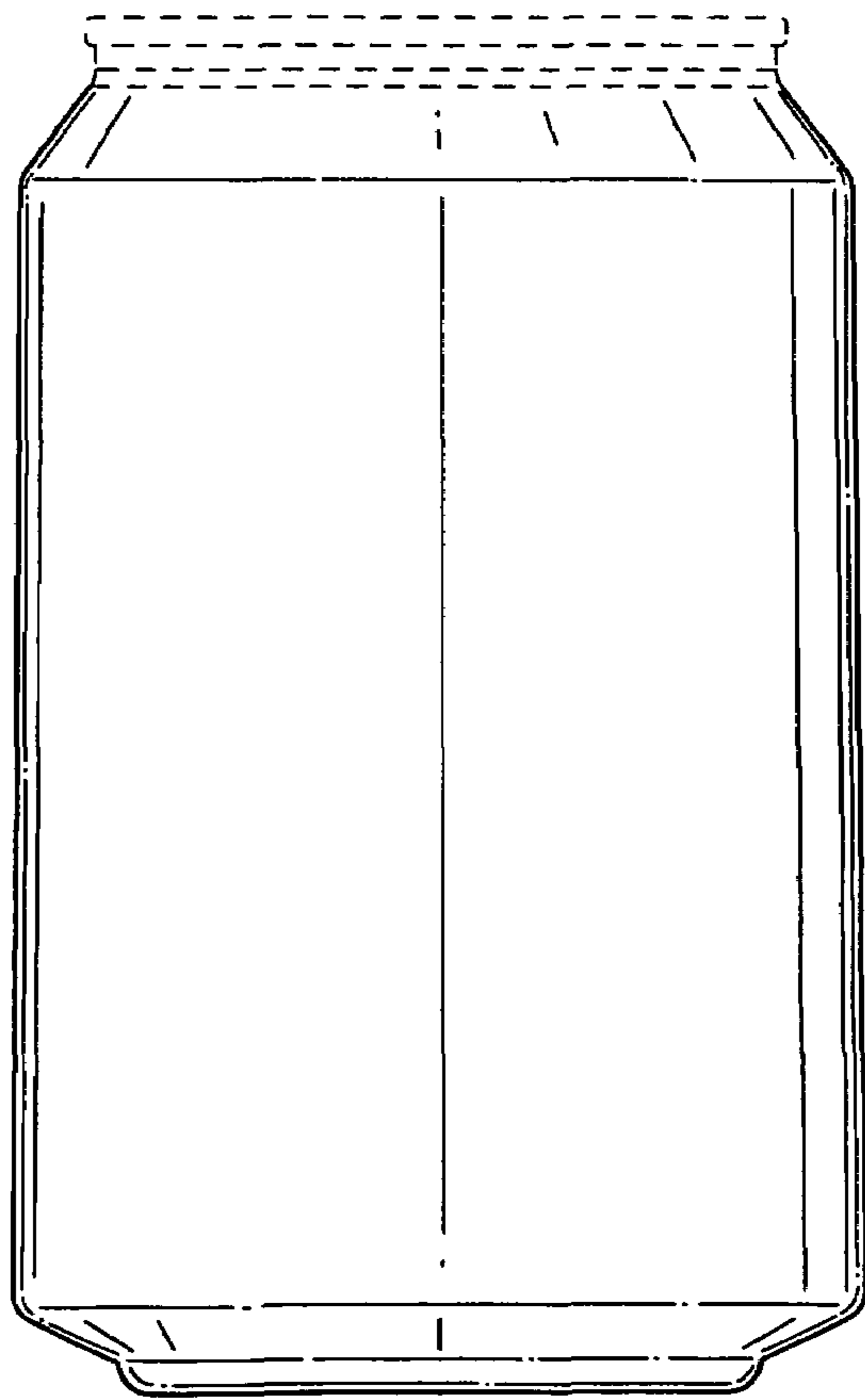


FIG.4

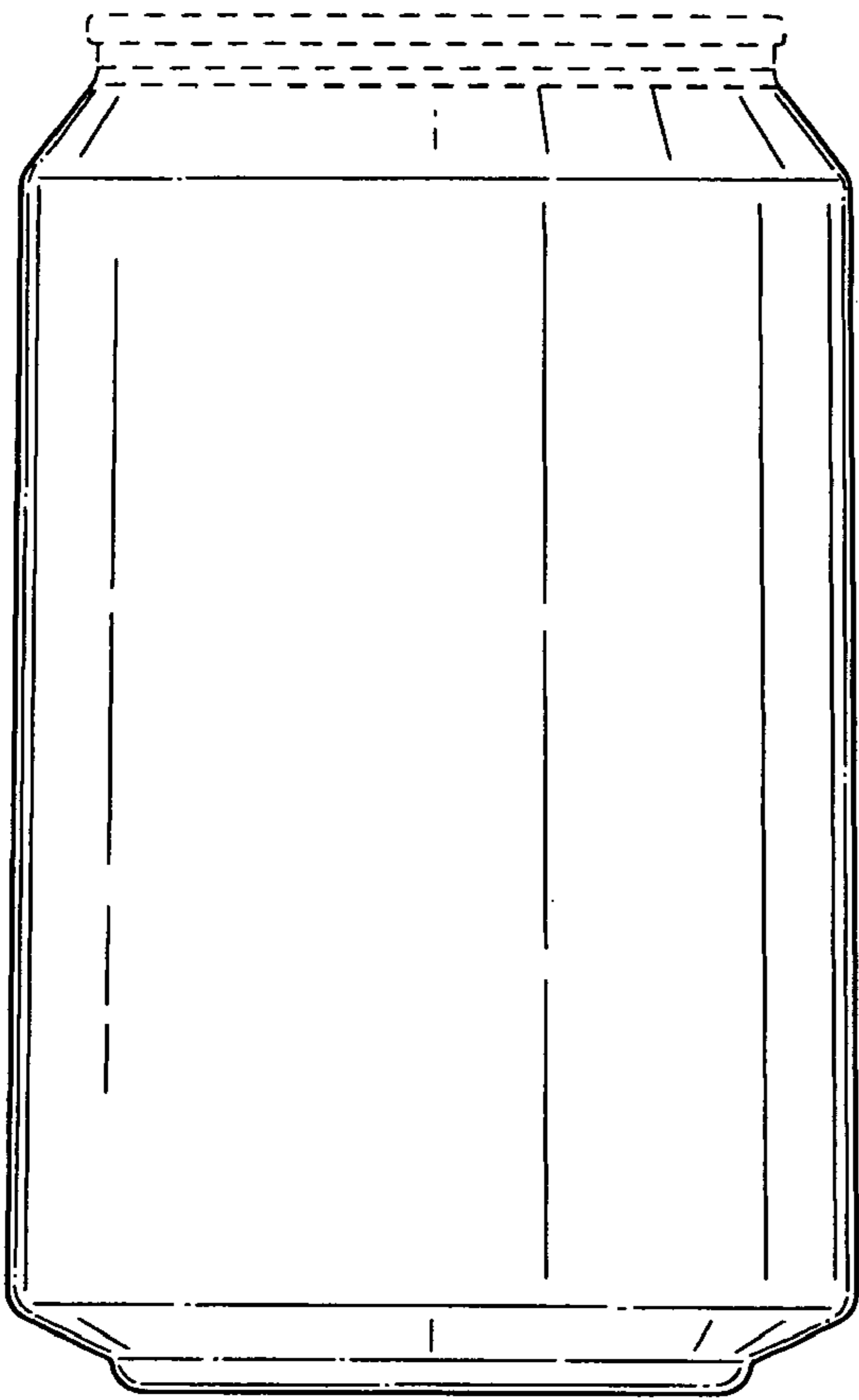


FIG.5

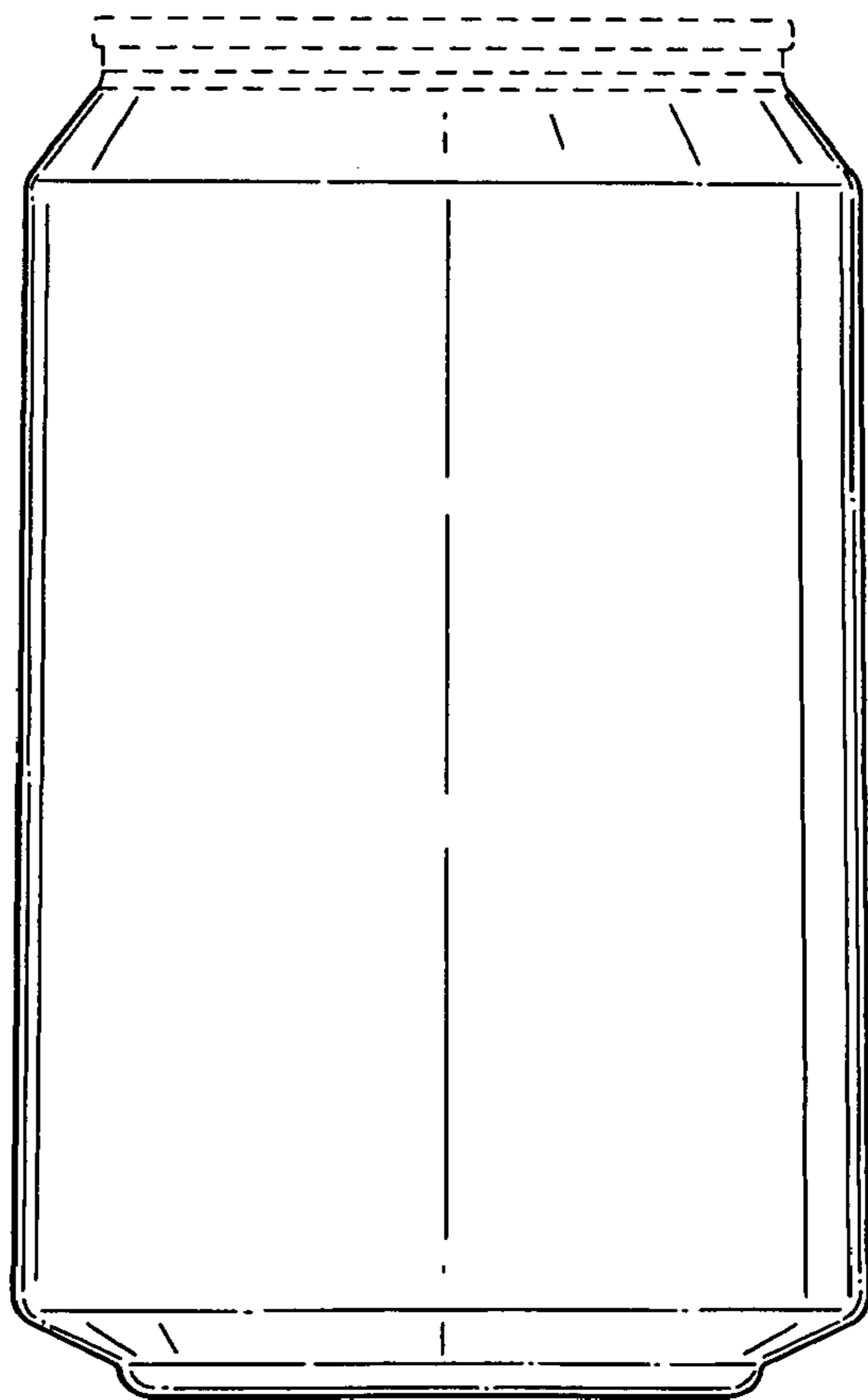


FIG.6

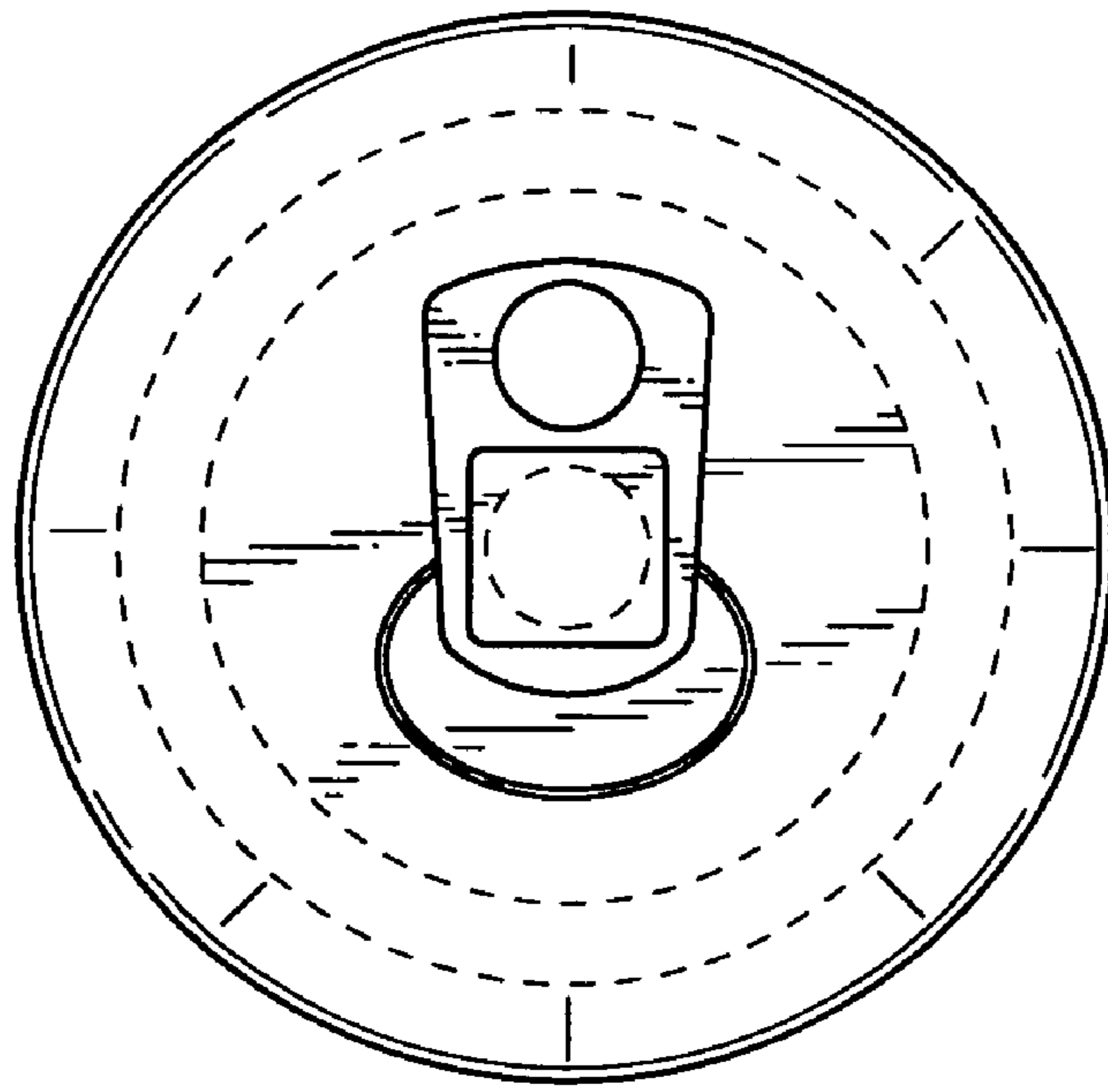


FIG. 7

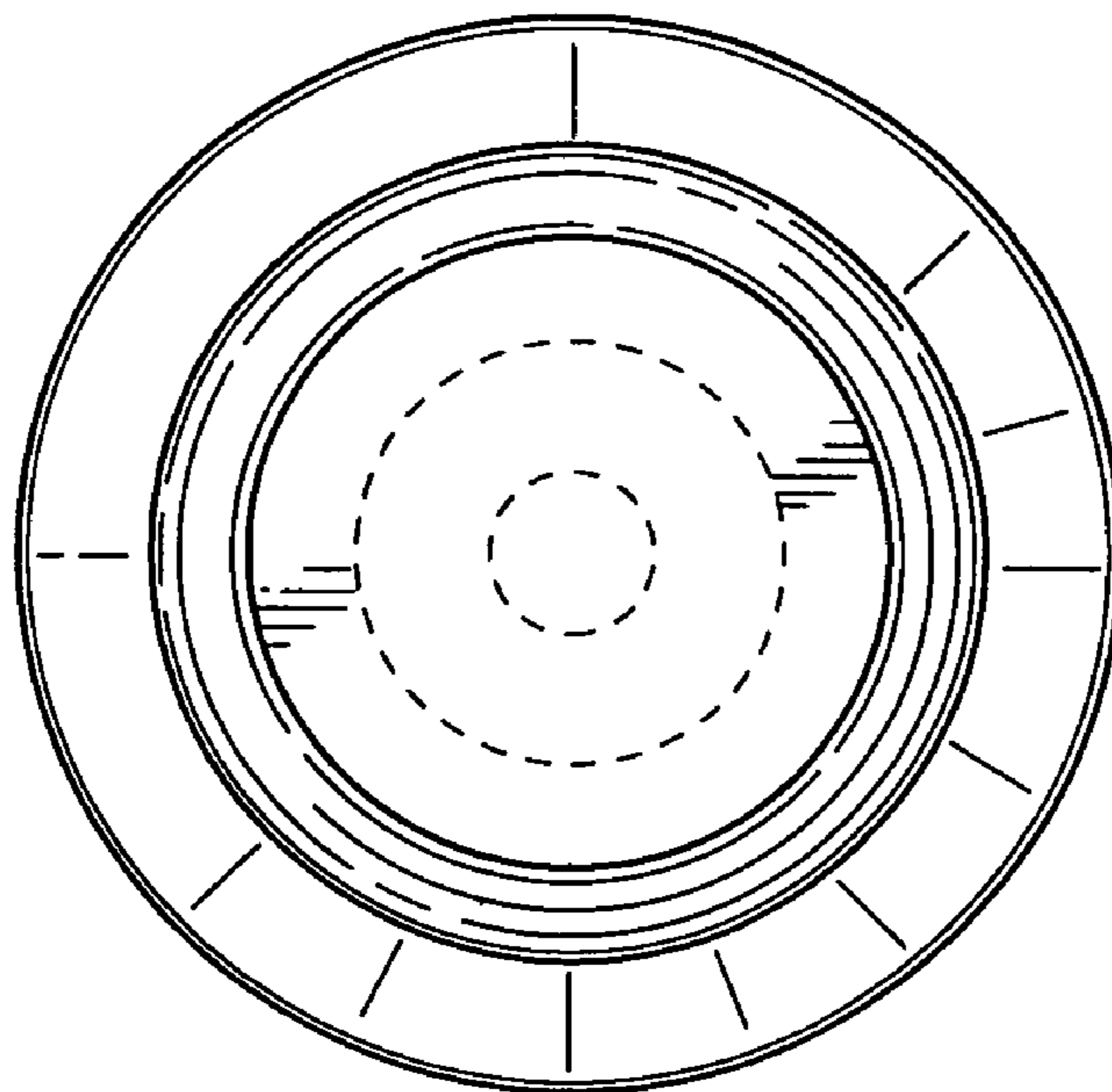


FIG. 8