



US00D611199S

(12) **United States Design Patent**
Kwiecien et al.

(10) **Patent No.:** **US D611,199 S**
(45) **Date of Patent:** **** Mar. 2, 2010**

(54) **SHAVING AID STRIP**

(75) Inventors: **Michael Joseph Kwiecien**, Scituate, MA (US); **Alejandro Carlos Lee**, Cambridge, MA (US)

(73) Assignee: **The Gillette Company**, Boston, MA (US)

(**) Term: **14 Years**

(21) Appl. No.: **29/337,283**

(22) Filed: **May 19, 2009**

(51) **LOC (9) Cl.** **28-03**

(52) **U.S. Cl.** **D28/47**

(58) **Field of Classification Search** 30/32, 30/34.05, 34.1-34.2, 41, 44-46, 47-51, 57-58, 30/77-84, 526-536, 537-539; D28/44-49
See application file for complete search history.

(56) **References Cited**

U.S. PATENT DOCUMENTS

4,624,051	A	11/1986	Apprille, Jr. et al.	
4,683,096	A	7/1987	Ferraro	
4,697,342	A	10/1987	Ferraro	
4,875,287	A	10/1989	Creasy et al.	
5,056,221	A	10/1991	Thoene	
5,056,222	A	10/1991	Miller et al.	
5,249,361	A	10/1993	Apprille, Jr. et al.	
5,416,973	A	5/1995	Brown et al.	
5,557,851	A	9/1996	Ortiz	
D422,380	S *	4/2000	Tseng et al.	D28/47
D436,691	S *	1/2001	Kwiecien et al.	D28/47
D447,283	S	8/2001	Tseng et al.	
D456,563	S	4/2002	Kwiecien et al.	
D514,253	S *	1/2006	Gray	D28/47
D516,243	S *	2/2006	Nakasuka	D28/47
D560,034	S *	1/2008	Fischer et al.	D28/48
D601,754	S *	10/2009	Keene	D28/47

* cited by examiner

Primary Examiner—Jennifer Rivard

(74) *Attorney, Agent, or Firm*—John M. Lipchitz; Kevin C. Johnson; Steven W. Miller

(57) **CLAIM**

The ornamental design for a shaving aid strip, as shown and described.

DESCRIPTION

FIG. 1 is a perspective view of a shaving aid strip of the present invention;

FIG. 2 is a front elevational view thereof;

FIG. 3 is rear elevational view thereof;

FIG. 4 is a right side elevational view thereof;

FIG. 5 is a left side elevational view thereof;

FIG. 6 is a top plan view thereof;

FIG. 7 is a bottom plan view thereof;

FIG. 8 is a second perspective view thereof;

FIG. 9 is a second front elevational view thereof;

FIG. 10 is second rear elevational view thereof;

FIG. 11 is a second right side elevational view thereof;

FIG. 12 is a second left side elevational view thereof;

FIG. 13 is a second top plan view thereof; and

FIG. 14 is a second bottom plan view thereof.

FIG. 15 is a perspective view of a second embodiment;

FIG. 16 is a front elevational view thereof;

FIG. 17 is rear elevational view thereof;

FIG. 18 is a right side elevational view thereof;

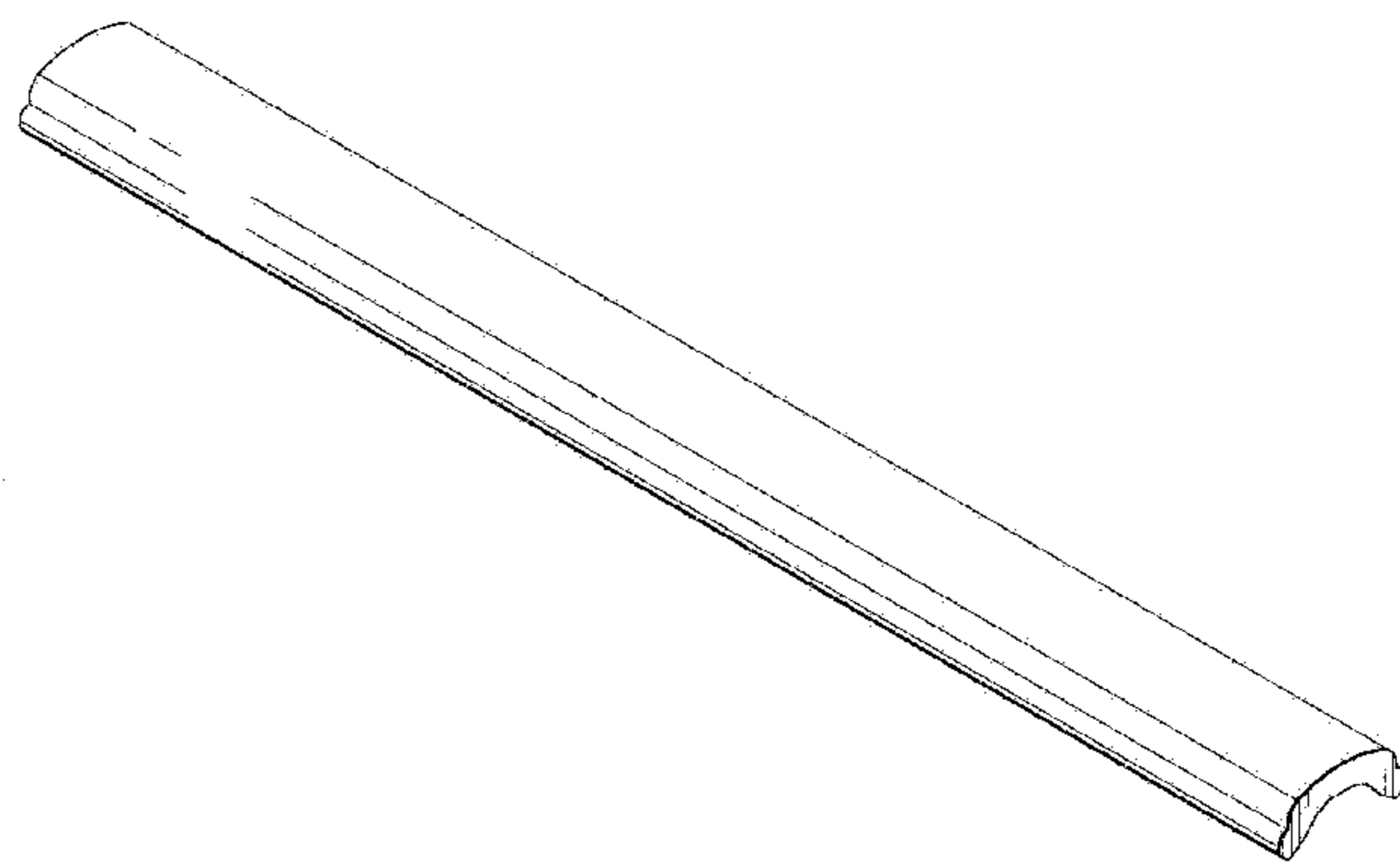
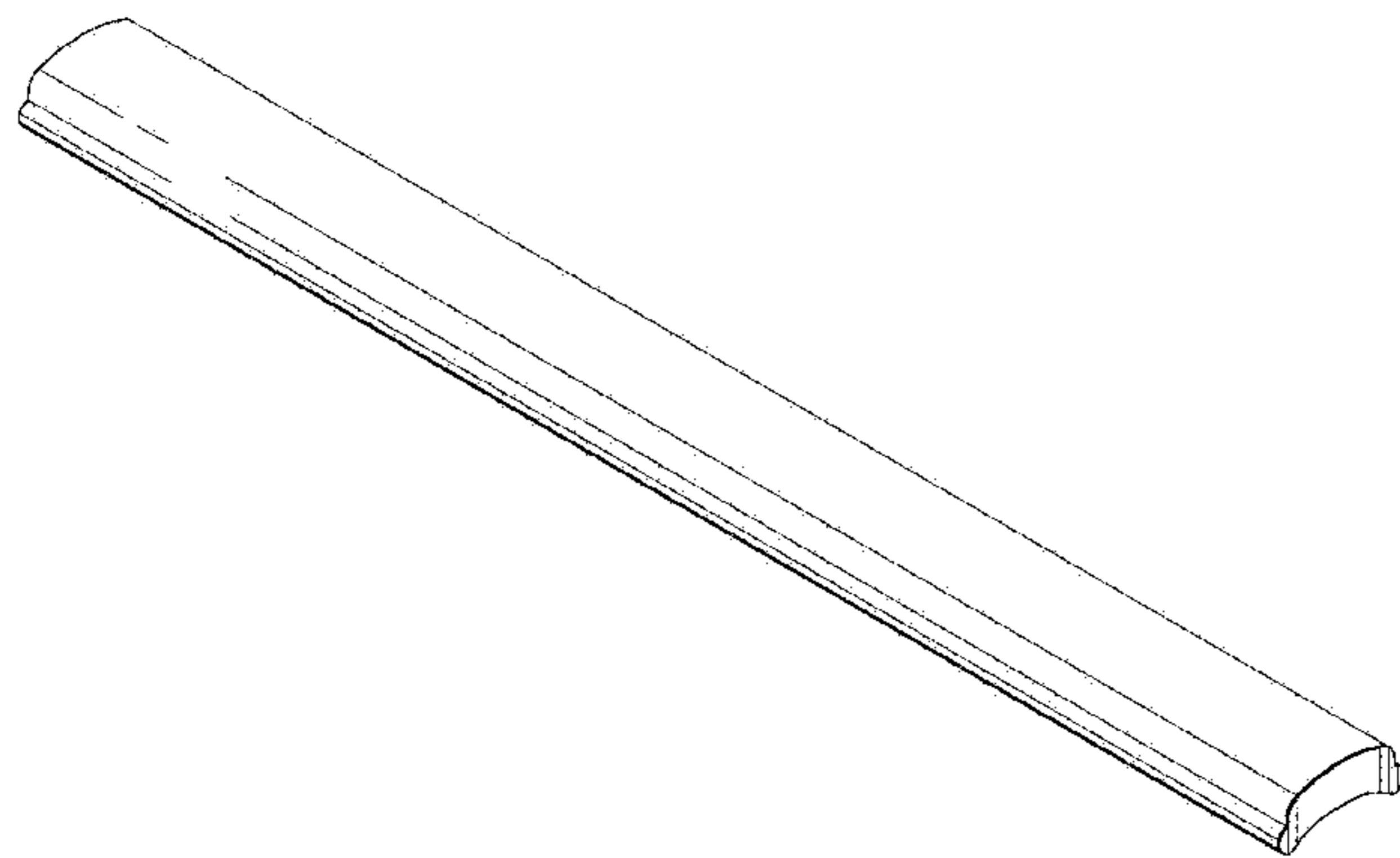
FIG. 19 is a left side elevational view thereof;

FIG. 20 is a top plan view thereof; and,

FIG. 21 is a bottom plan view thereof.

The broken lines are shown for illustrative purposes only and form no part of the claimed design. FIGS. 1-7 and FIGS. 8-14 illustrate the same embodiment; however the shaving aid strip in FIGS. 8-14 is shown without the shaving cartridge for clarity purposes. FIGS. 15-21 show an alternative embodiment of a shaving aid strip which is identical to the first embodiment when viewed assembled to the shaving cartridge as shown in FIGS. 1-7.

1 Claim, 13 Drawing Sheets



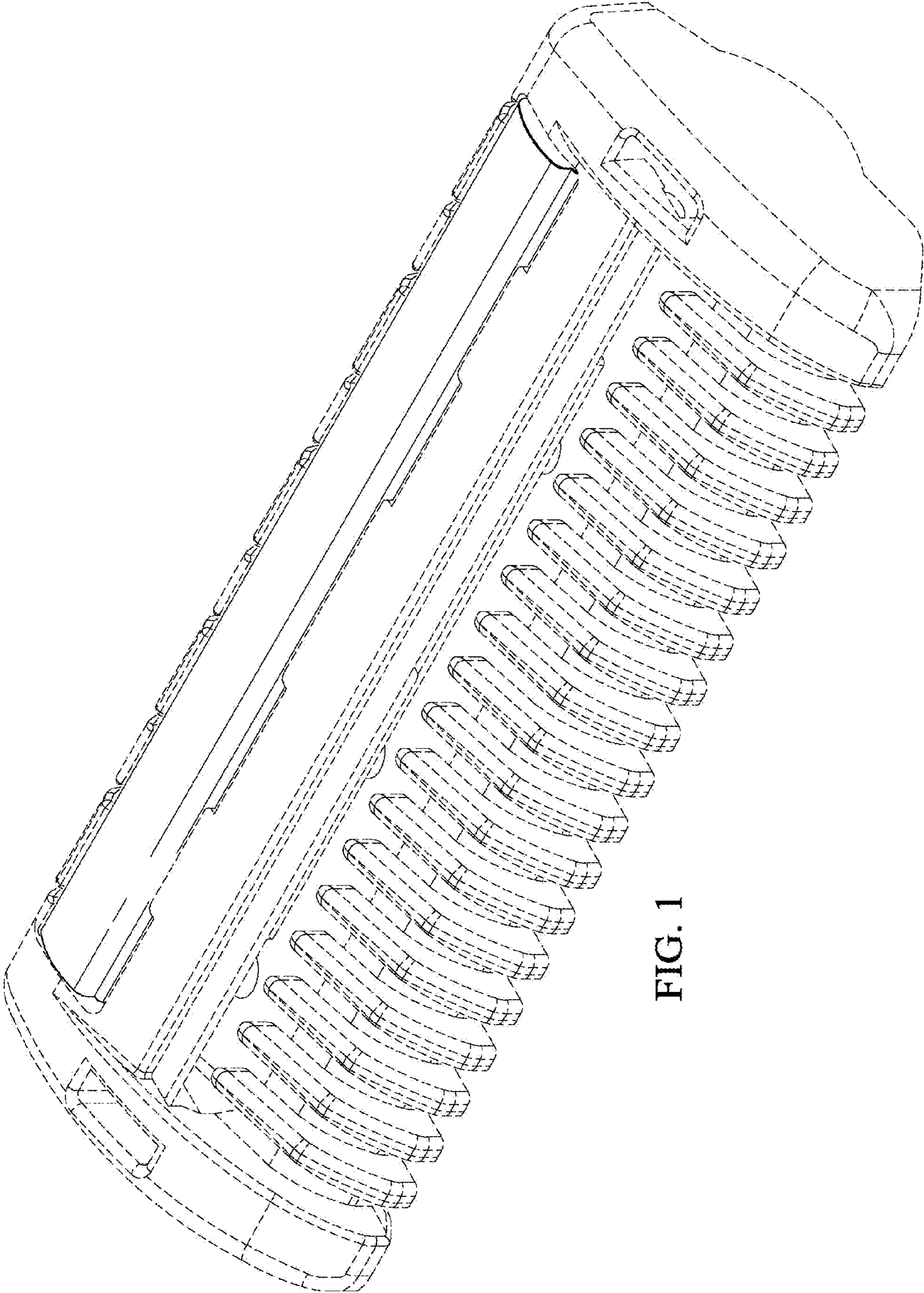


FIG. 1

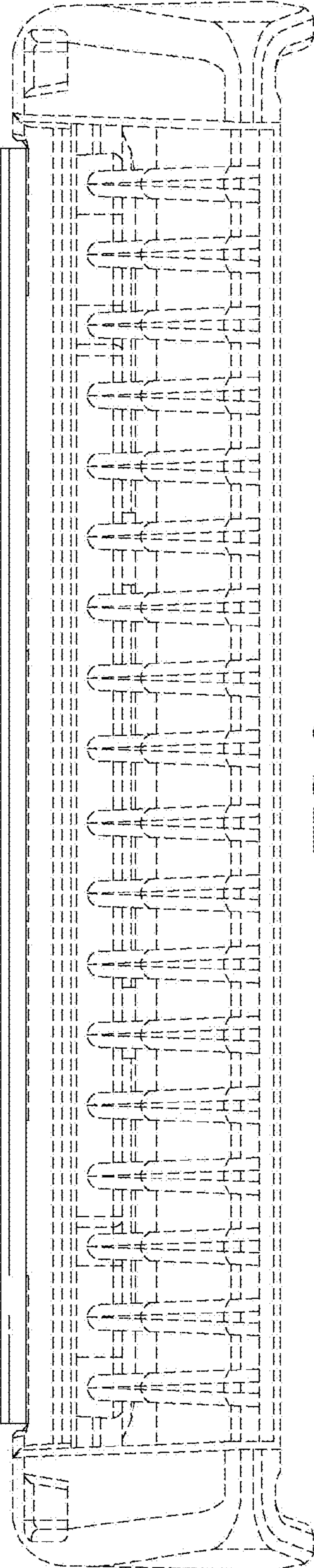


FIG. 2

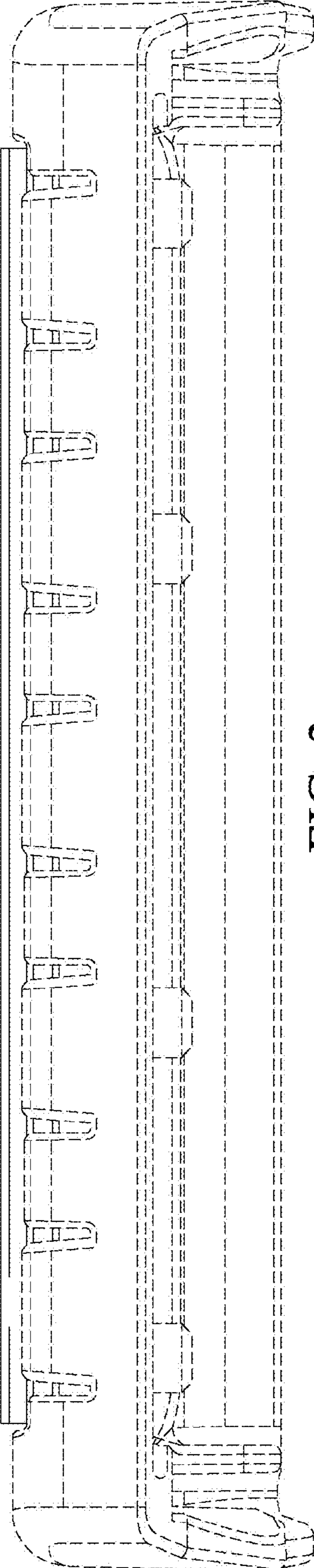


FIG. 3

FIG. 5

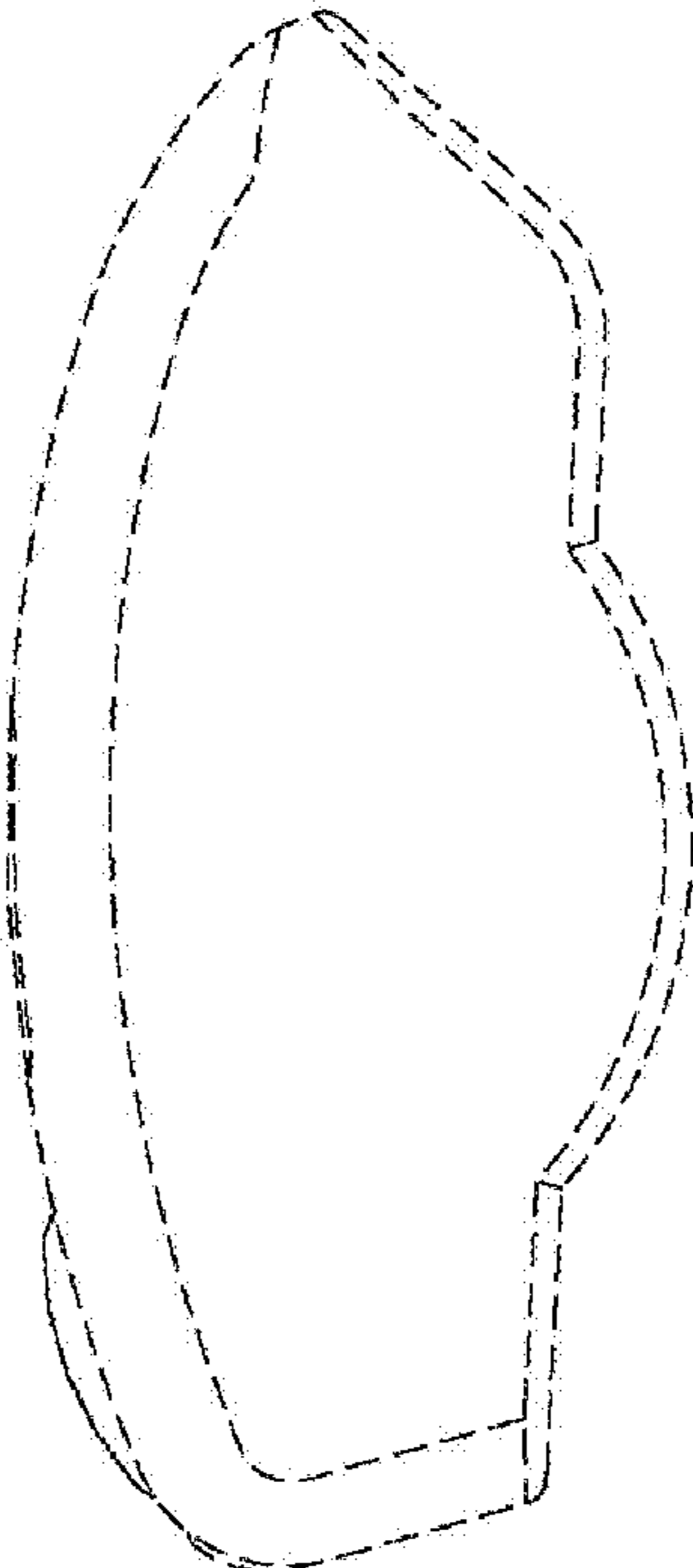


FIG. 4

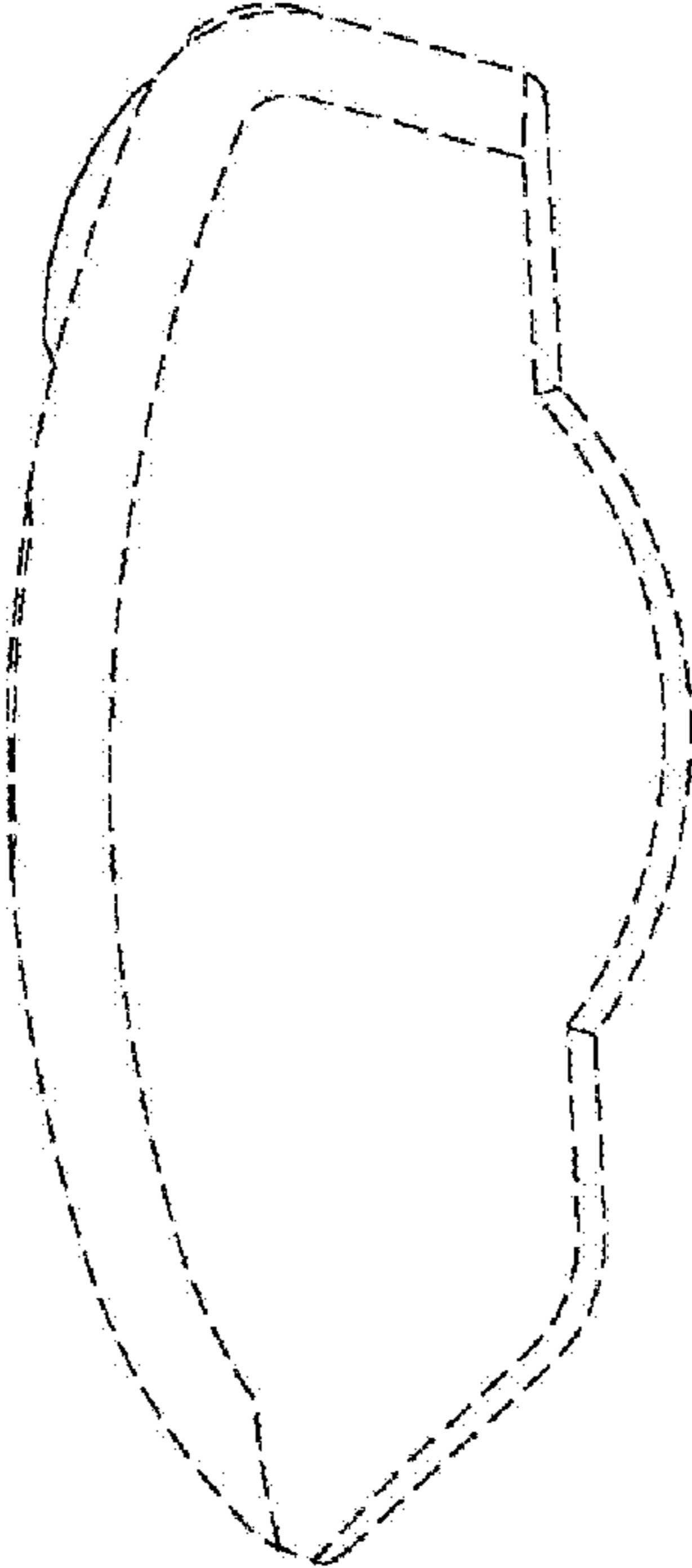


FIG. 6

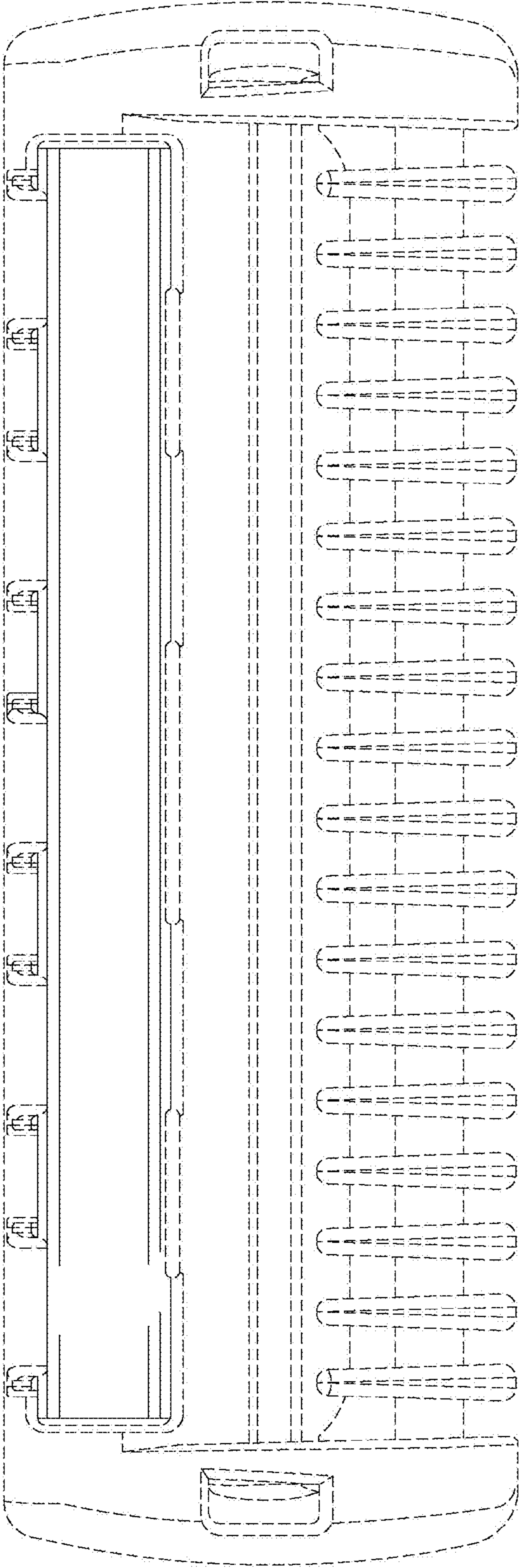
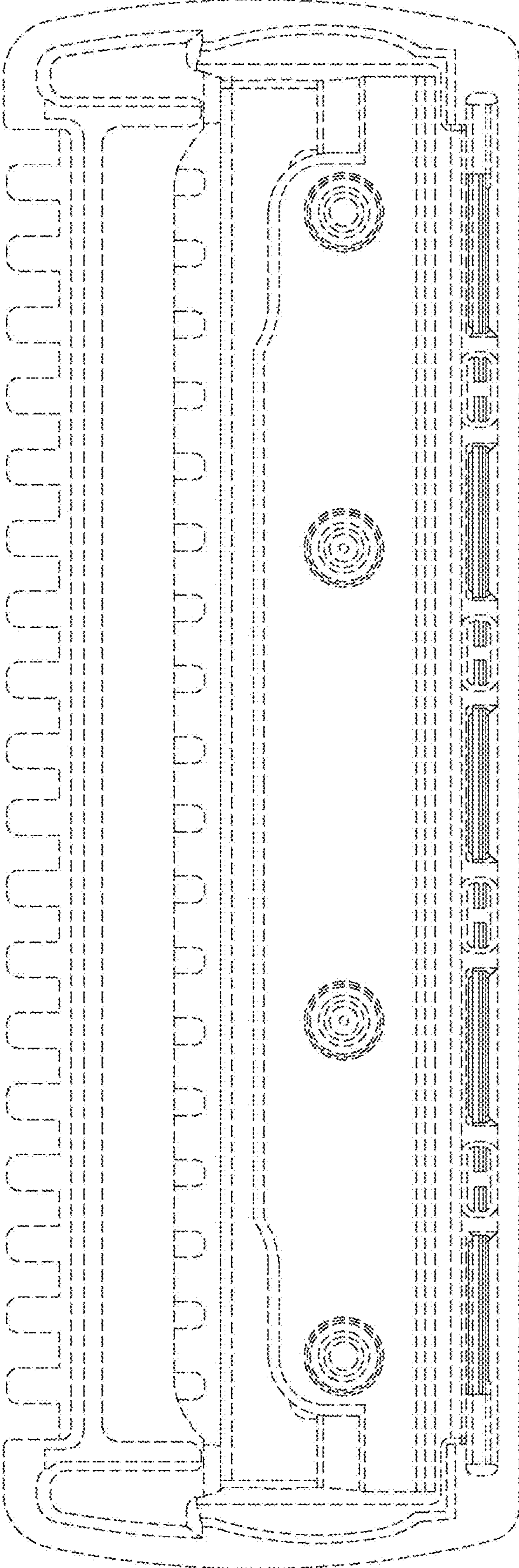


FIG. 7



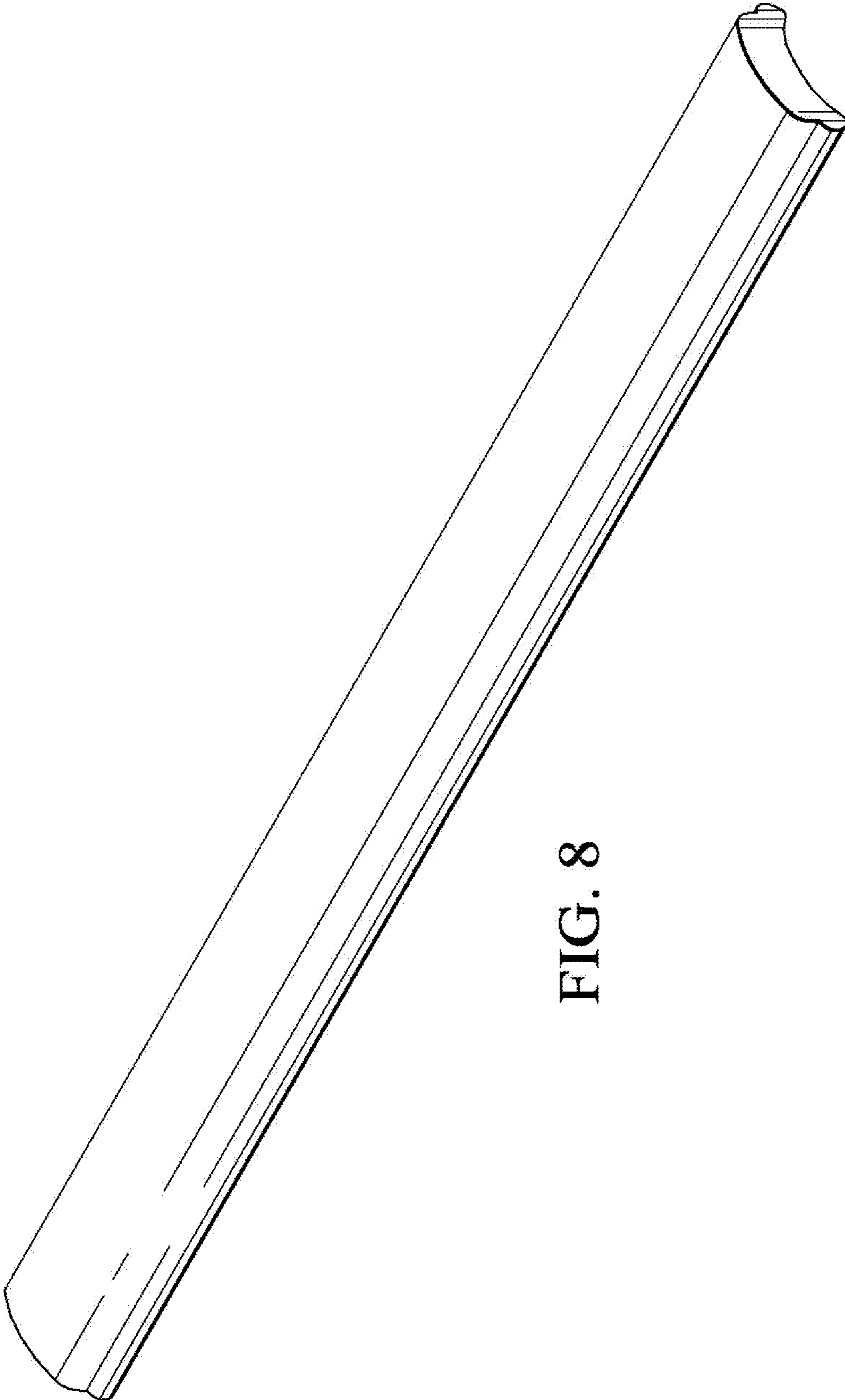


FIG. 8

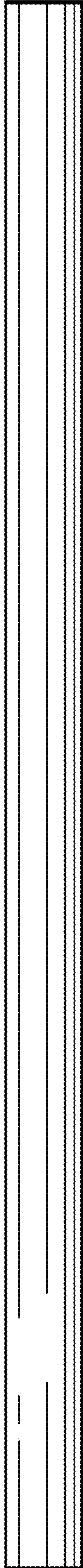


FIG. 9

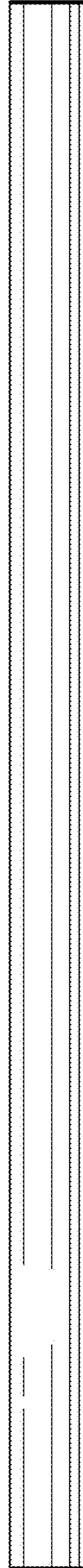


FIG. 10

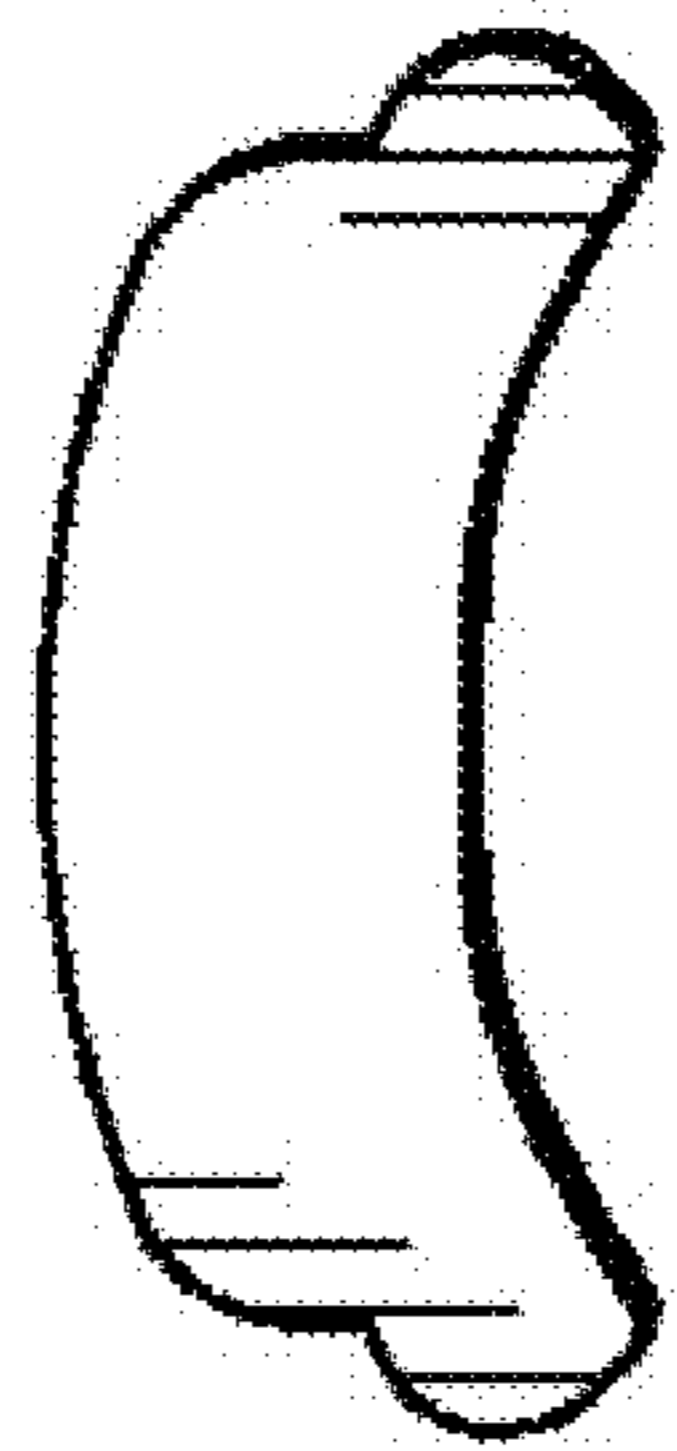


FIG. 11

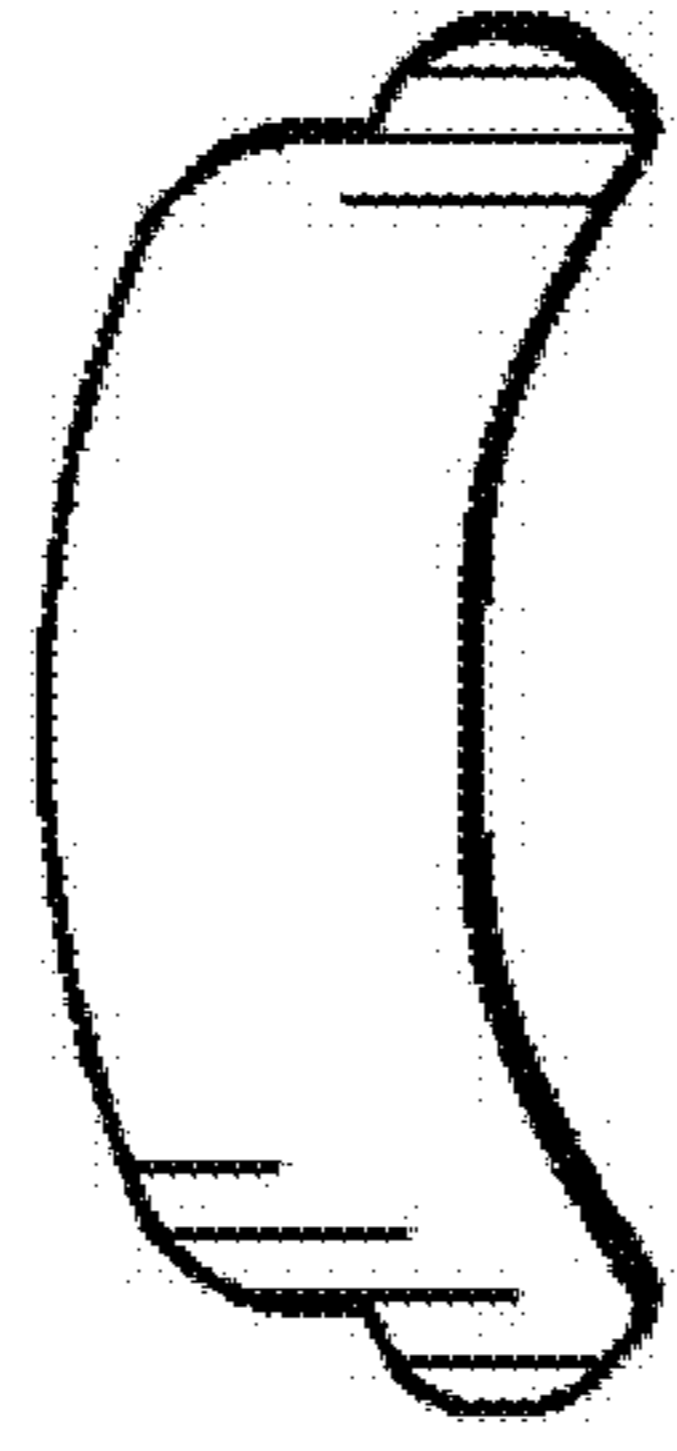


FIG. 12

FIG. 13

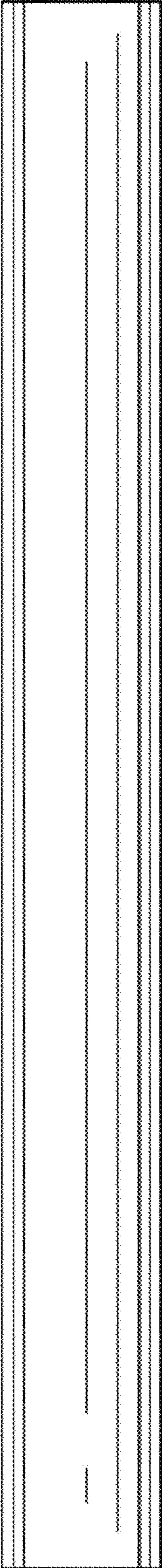
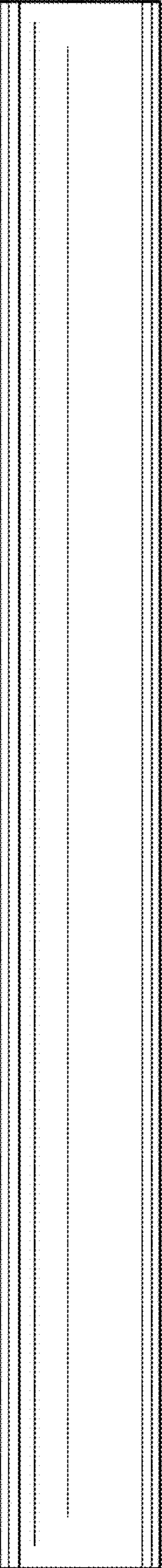


FIG. 14



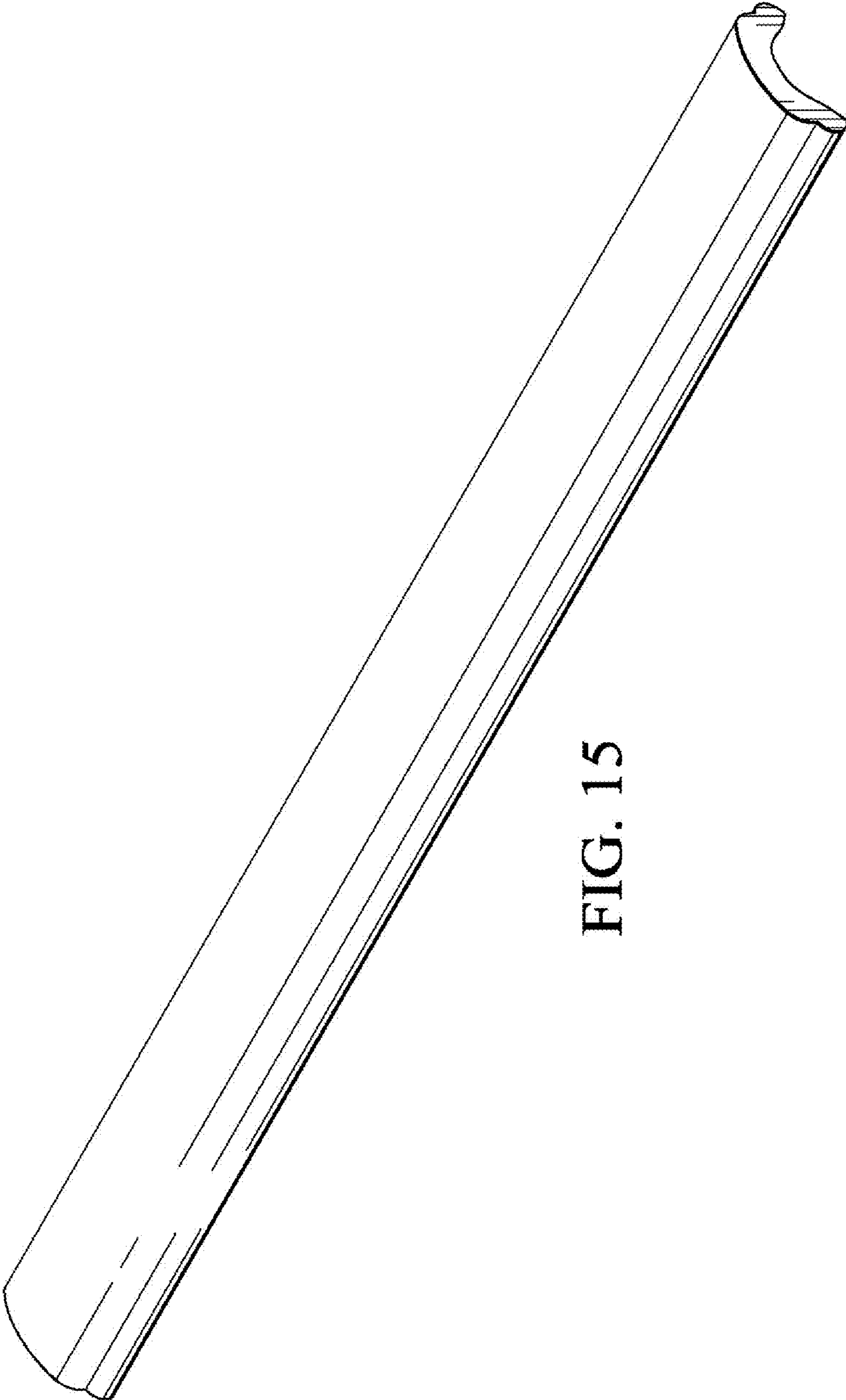


FIG. 15

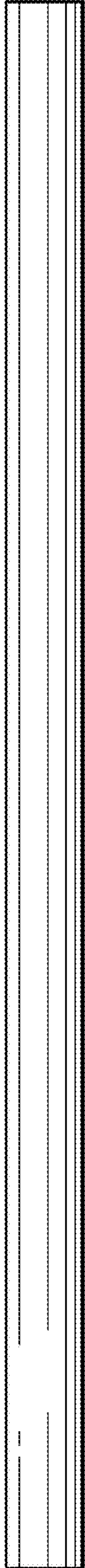


FIG. 16

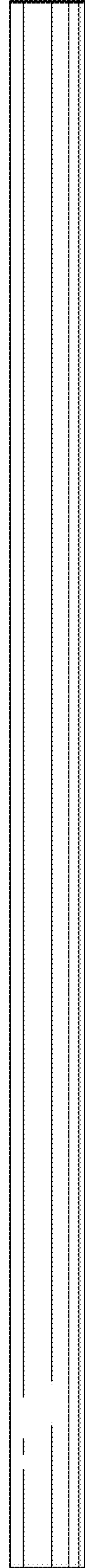


FIG. 17



FIG. 18

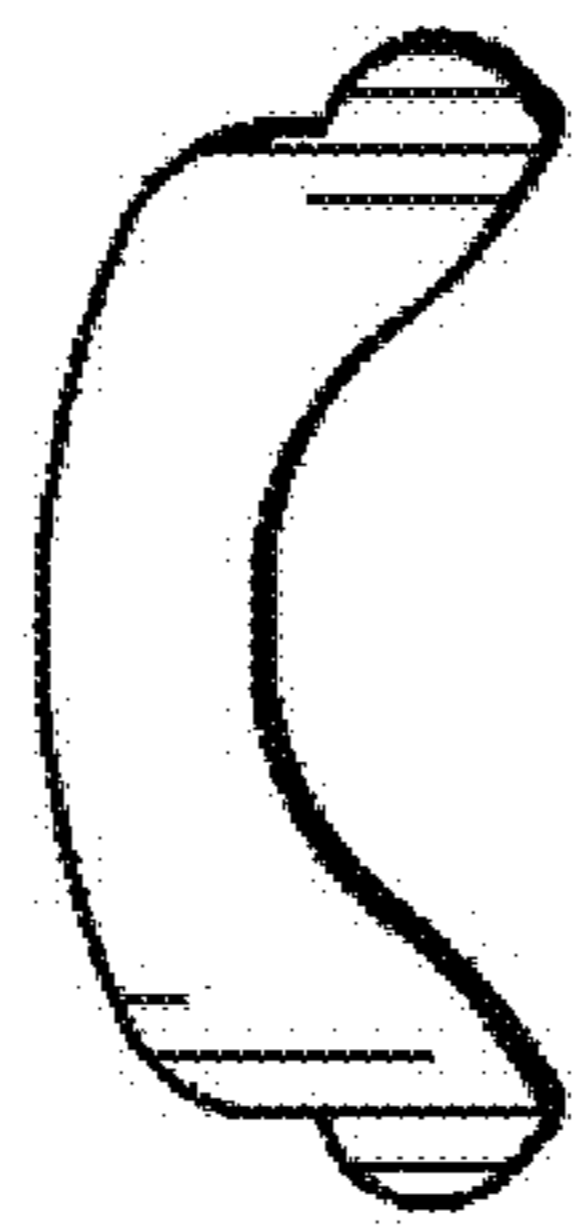


FIG. 19

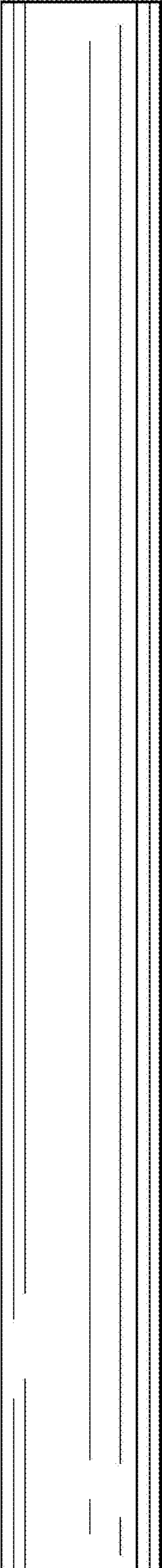


FIG. 20

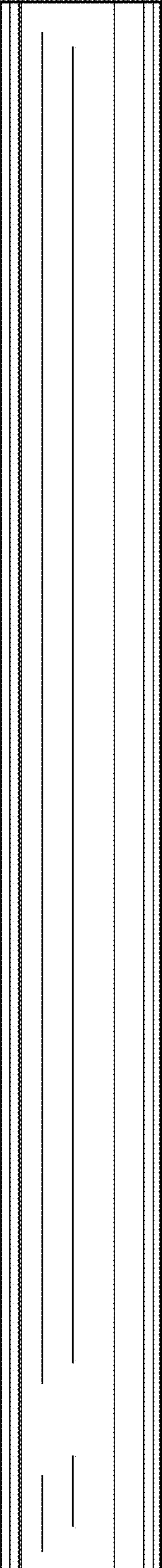


FIG. 21