



US00D611190S

(12) **United States Design Patent**  
**Huang**

(10) **Patent No.:** **US D611,190 S**

(45) **Date of Patent:** **\*\* Mar. 2, 2010**

(54) **PROP UNIT OF A DESK LAMP**

(75) Inventor: **Huo-Tu Huang**, Taipei Hsien (TW)

(73) Assignee: **Huangslite Industrial Co., Ltd.**, Taipei Hsien (TW)

(\*\*) Term: **14 Years**

(21) Appl. No.: **29/347,142**

(22) Filed: **Sep. 30, 2009**

(51) **LOC (9) Cl.** ..... **26-99**

(52) **U.S. Cl.** ..... **D26/141**

(58) **Field of Classification Search** ..... D26/109,  
D26/65, 141, 63, 123, 142, 118, 76, 85, 60,  
D26/61, 62, 64, 66, 72, 93, 103, 113, 119,  
D26/122, 124, 87, 128, 129, 138, 140, 145,  
D26/155, 74; D13/134; 362/511, 373, 606,  
362/607, 277, 282, 285, 287, 410

See application file for complete search history.

(56) **References Cited**

**U.S. PATENT DOCUMENTS**

D207,734 S \* 5/1967 Fralick ..... D26/64  
D302,734 S \* 8/1989 De Lucchi ..... D26/65  
D302,735 S \* 8/1989 De Lucchi ..... D26/65  
D304,624 S \* 11/1989 De Lucchi ..... D26/65

D305,155 S \* 12/1989 De Lucchi ..... D26/65  
D330,606 S \* 10/1992 Lee ..... D26/63  
D432,694 S \* 10/2000 Huang ..... D26/65  
D448,879 S \* 10/2001 Wang ..... D26/65  
D472,011 S \* 3/2003 Chen ..... D26/145  
D599,929 S \* 9/2009 Huang ..... D26/63

\* cited by examiner

*Primary Examiner*—Cathron C Brooks

*Assistant Examiner*—Kevin K Rudzinski

(74) *Attorney, Agent, or Firm*—Bacon & Thomas, PLLC

(57) **CLAIM**

The ornamental design for a prop unit of a desk lamp, as shown and described.

**DESCRIPTION**

FIG. 1 is a perspective view of prop unit of a desk lamp showing my new design;

FIG. 2 is a front elevational view thereof;

FIG. 3 is a rear elevational view thereof;

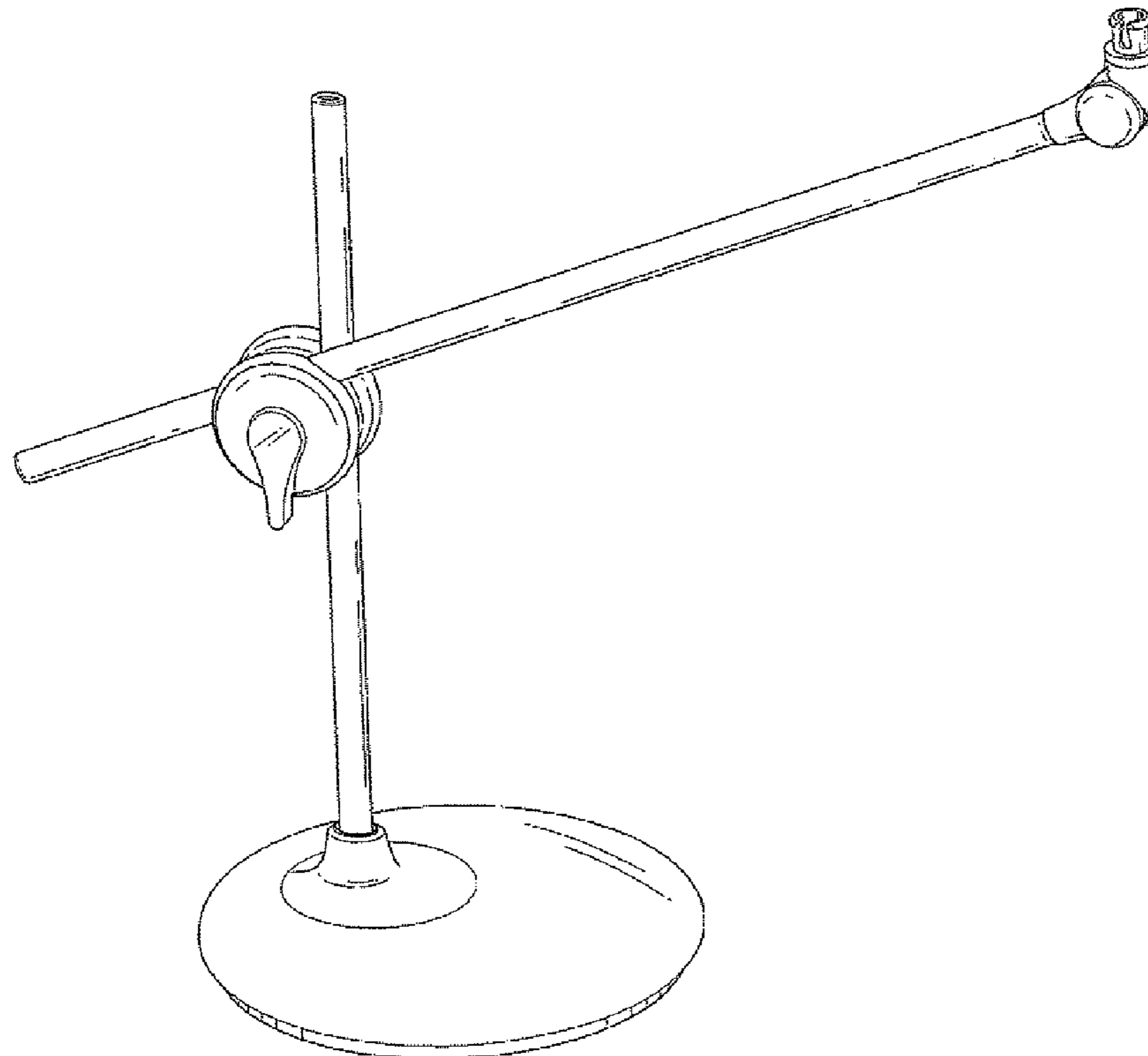
FIG. 4 is a left side elevational view thereof;

FIG. 5 is a right side elevational view thereof;

FIG. 6 is a top plan view thereof; and,

FIG. 7 is a bottom plan view thereof.

**1 Claim, 6 Drawing Sheets**



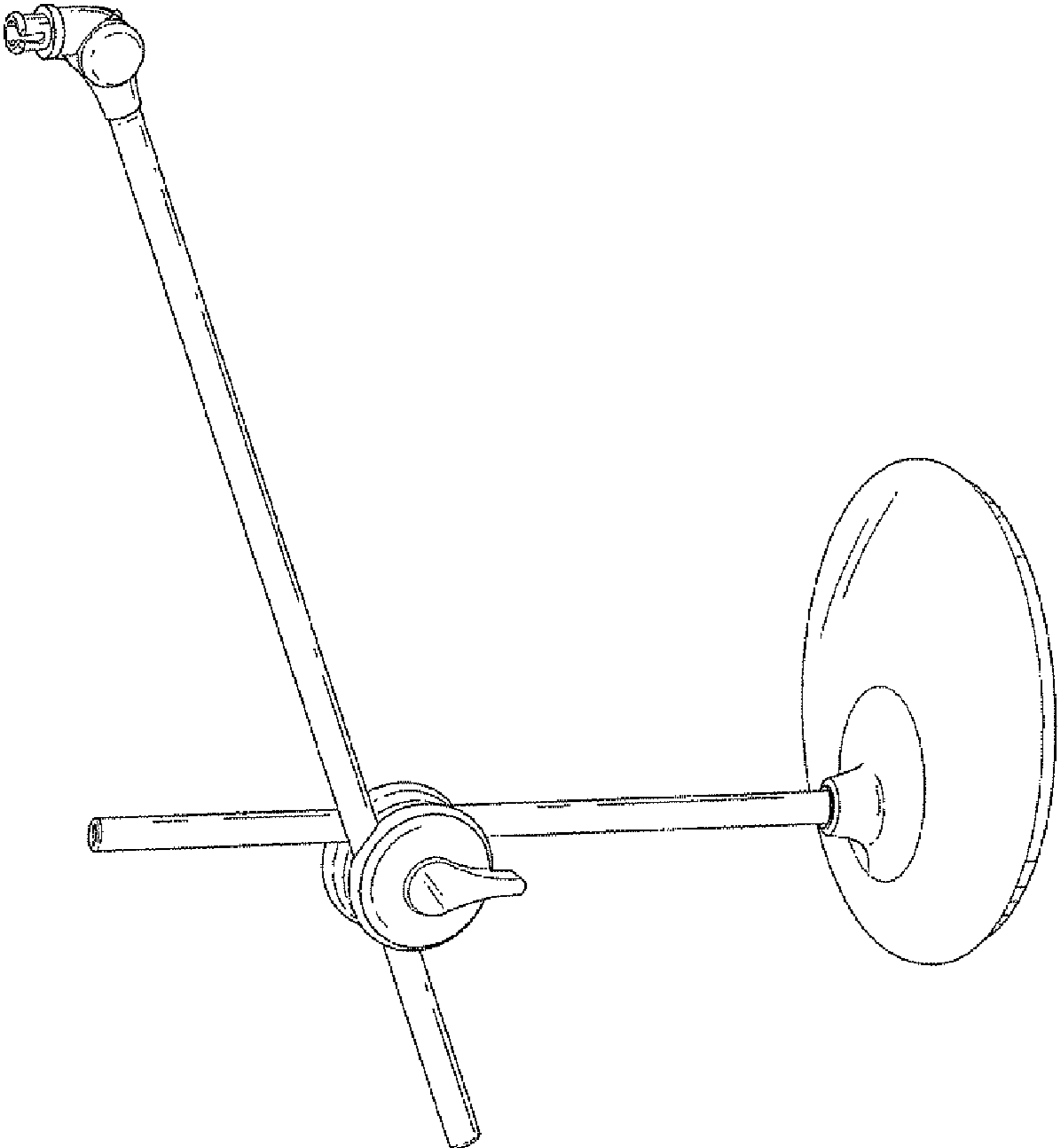


FIG. 1

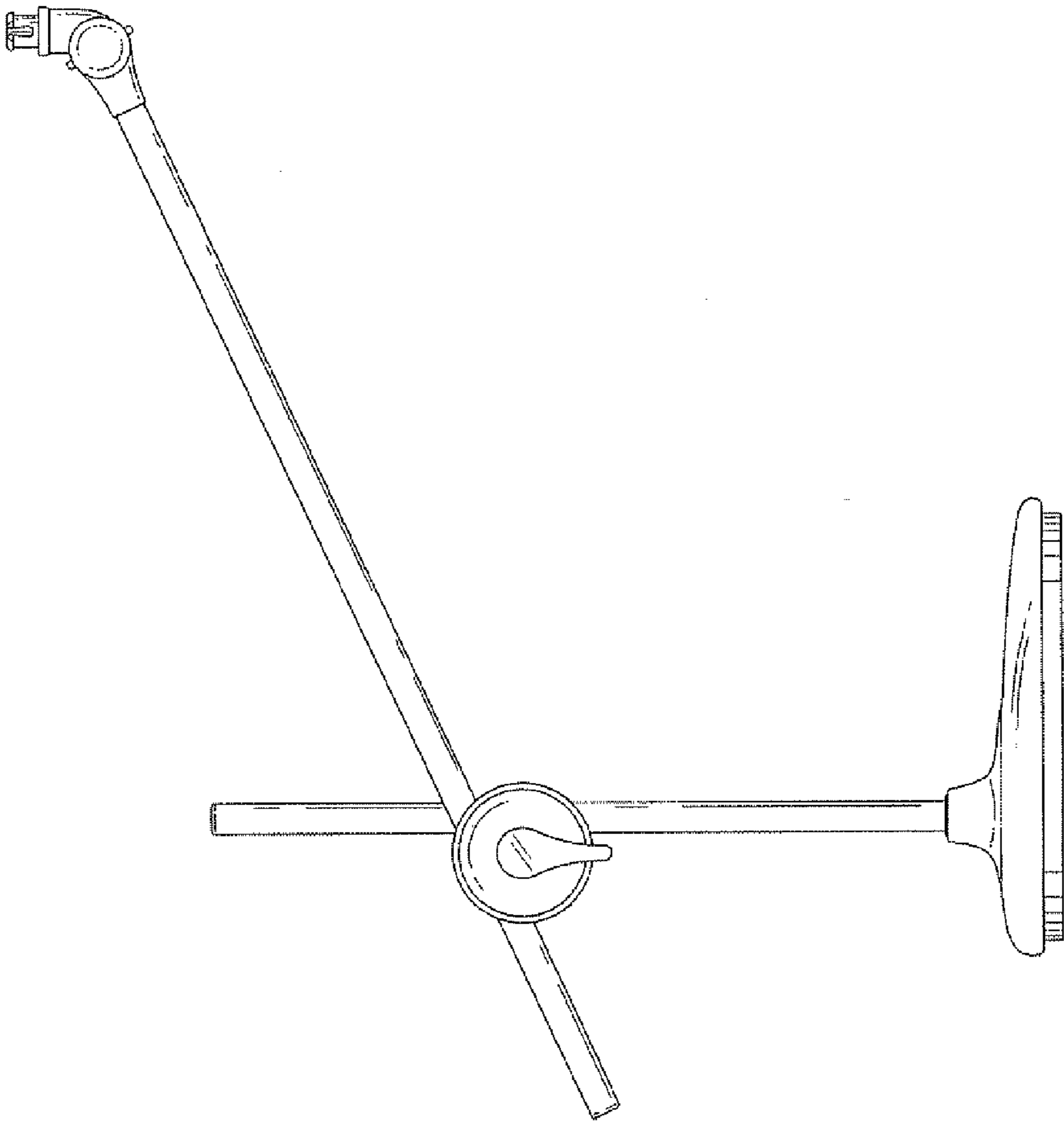


FIG. 2

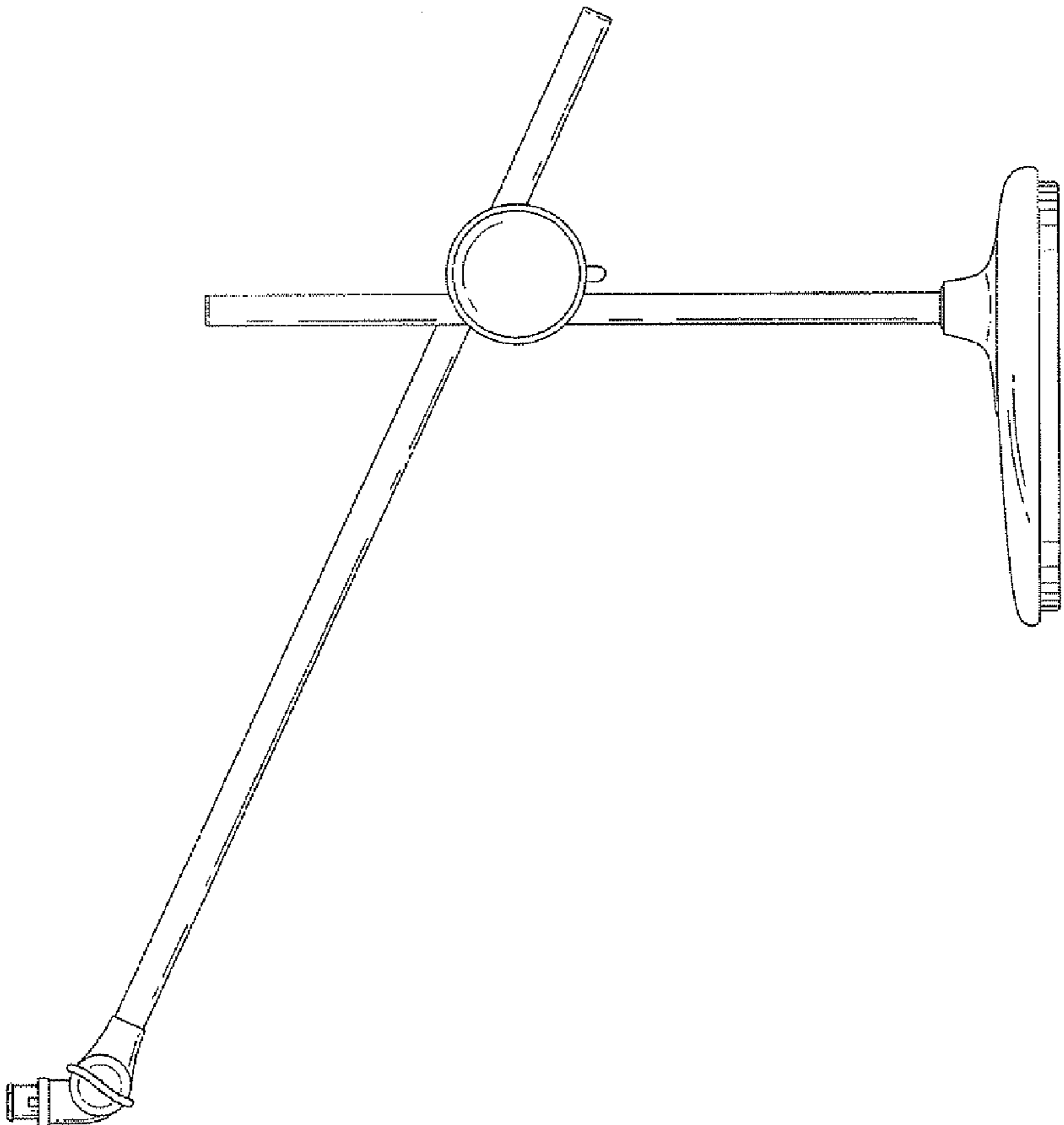


FIG.3

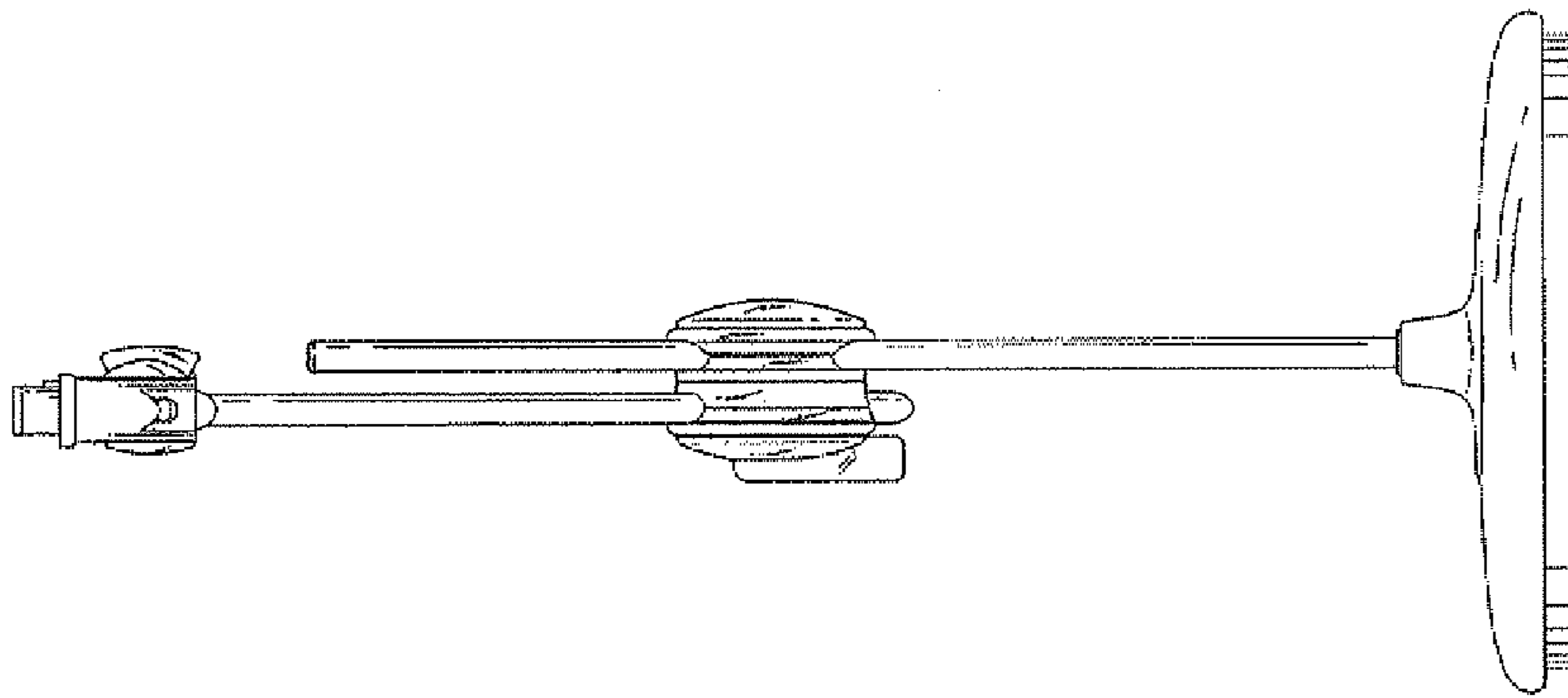


FIG. 5

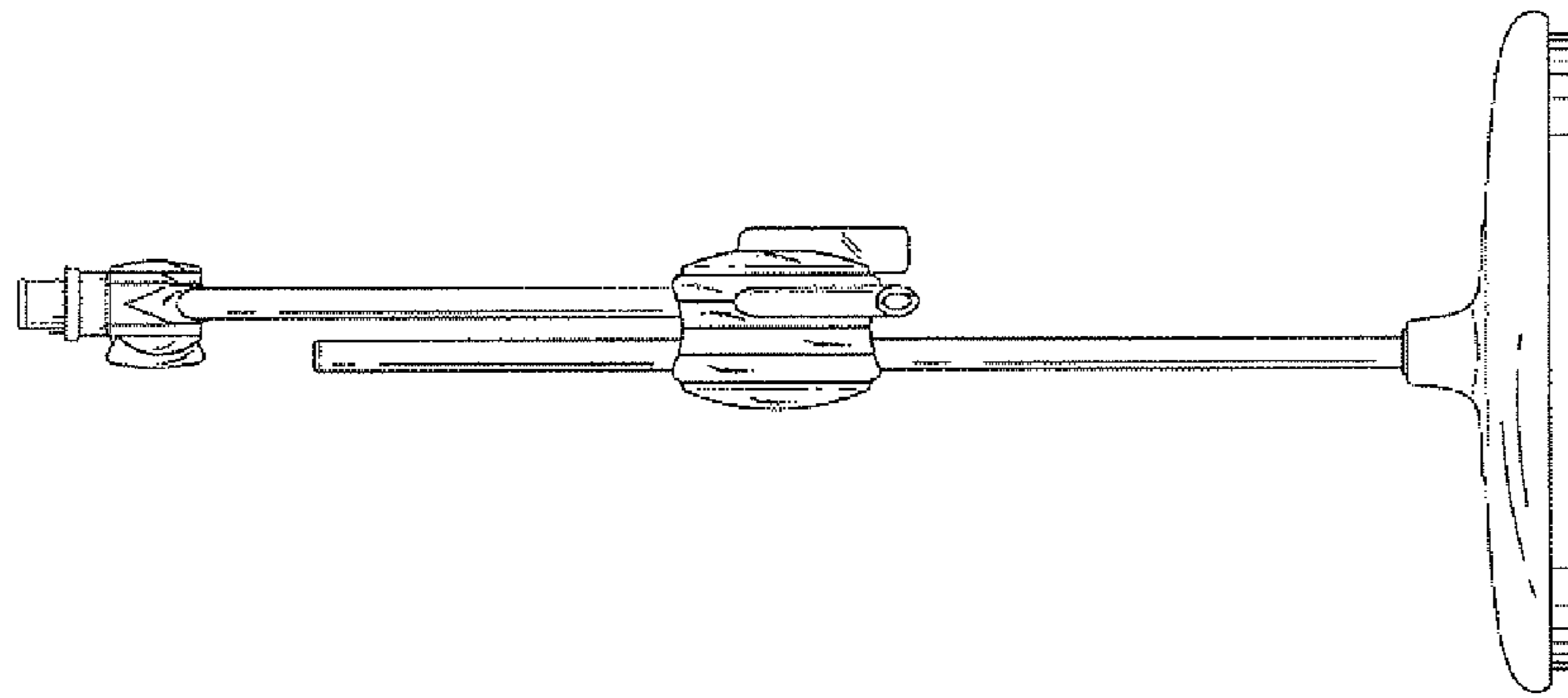


FIG. 4

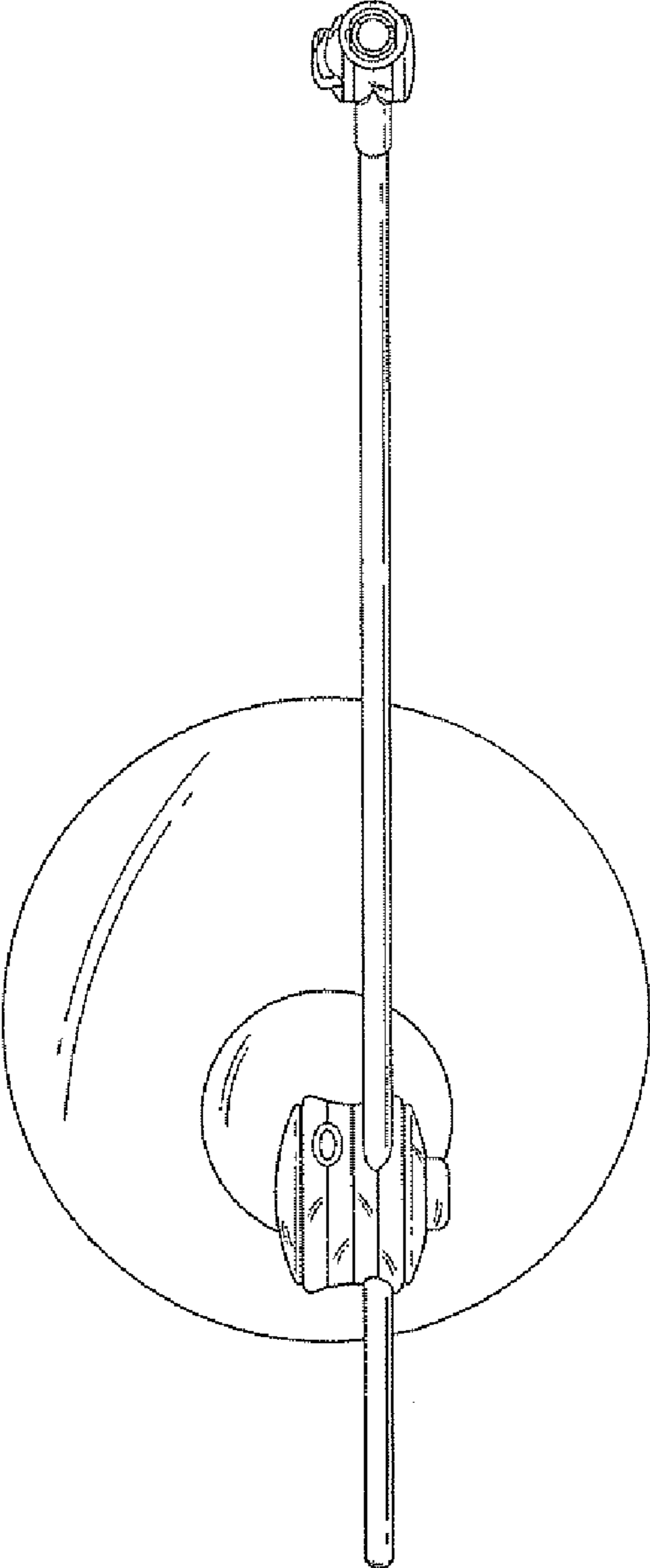


FIG. 6

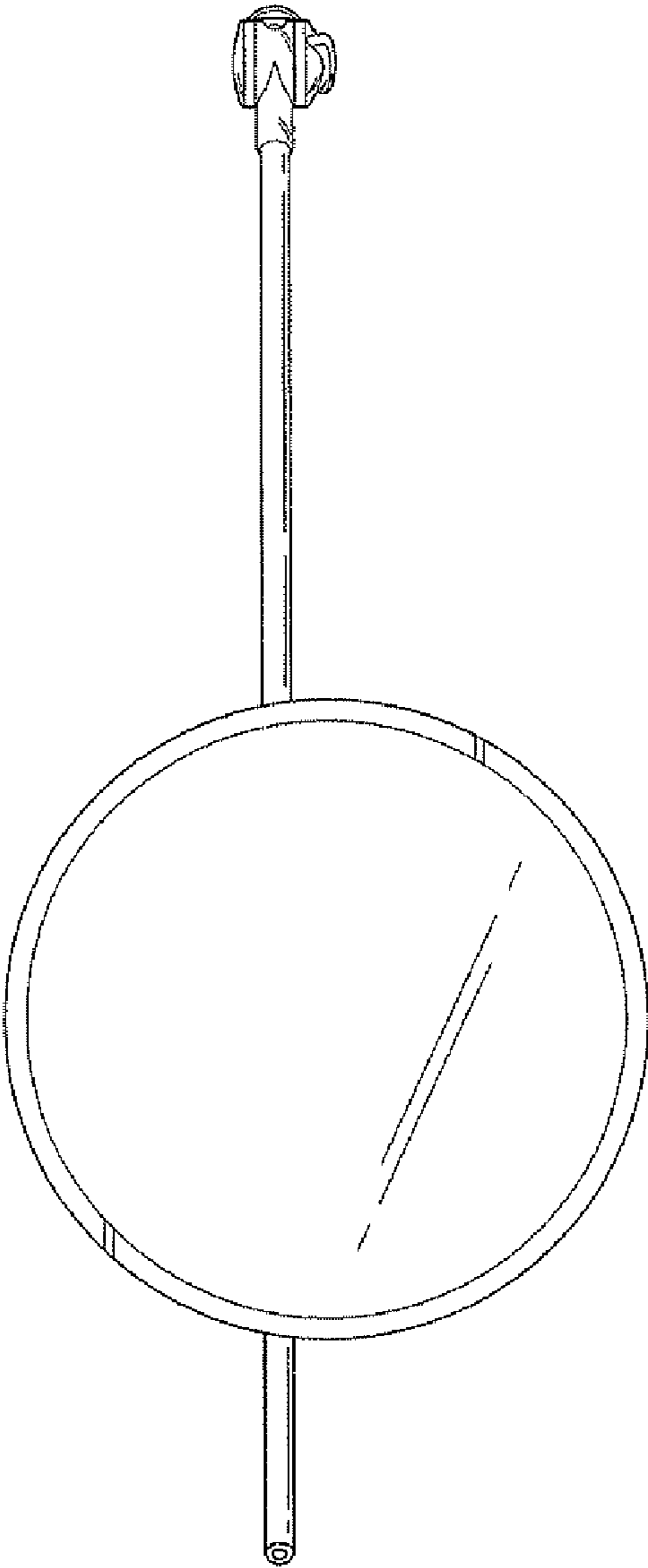


FIG. 7