



US00D611187S

(12) **United States Design Patent**
Waring

(10) **Patent No.:** **US D611,187 S**

(45) **Date of Patent:** **** *Mar. 2, 2010**

(54) **LIGHT FIXTURE**

(76) Inventor: **Jennifer S. Waring**, MBW Motorcycle Products, Inc., 351 Liberty La., Unit 5-E, W. Kingston, RI (US) 02892

(*) Notice: This patent is subject to a terminal disclaimer.

(**) Term: **14 Years**

(21) Appl. No.: **29/310,108**

(22) Filed: **Jul. 25, 2008**

(51) **LOC (9) Cl.** **26-99**

(52) **U.S. Cl.** **D26/138**

(58) **Field of Classification Search** D26/67,
D26/87, 88, 85, 89, 118, 141, 138, 120, 74,
D26/113, 68, 79, 81, 83, 119, 121, 122, 123,
D26/124, 128, 131, 142, 143; 362/255, 444,
362/606, 95, 145, 147, 148, 805, 153, 153.1,
362/655, 656, 658, 659, 260, 297, 301, 309,
362/331, 335, 353, 364, 365, 416, 431, 435,
362/448, 452; D13/154, 133, 134, 135; D8/354,
D8/364, 366, 371, 381; D10/106
See application file for complete search history.

(56) **References Cited**

U.S. PATENT DOCUMENTS

D192,478	S	*	3/1962	Hansen et al.	D26/35
3,539,801	A	*	11/1970	Mitchell	362/297
3,919,559	A	*	11/1975	Stevens	378/154
4,321,659	A	*	3/1982	Wheeler	362/293
4,344,115	A	*	8/1982	Pickens et al.	362/216
D301,696	S	*	6/1989	Greenlee et al.	D10/106
D302,324	S	*	7/1989	Moran et al.	D26/59
D309,784	S	*	8/1990	Whitley, II	D26/28
D322,584	S	*	12/1991	Kawashima et al.	D10/114

D341,787	S	*	11/1993	Chan	D10/106
6,410,909	B1	*	6/2002	Rudolph et al.	250/231.13
D468,472	S	*	1/2003	Mullally et al.	D26/67
D482,484	S	*	11/2003	Benghozi	D26/85
6,682,204	B2	*	1/2004	Mullally et al.	362/235
D497,447	S	*	10/2004	Yoneda	D26/72
D505,687	S	*	5/2005	Asai	D16/219

* cited by examiner

Primary Examiner—Cathron C Brooks

Assistant Examiner—Kevin K Rudzinski

(74) *Attorney, Agent, or Firm*—Roger A. Gilcrest

(57) **CLAIM**

The ornamental design for a light fixture, as shown and described.

DESCRIPTION

FIG. 1 is an upper side perspective view of a light fixture of the present invention;

FIG. 2 is a top plan view of a light fixture of the present invention;

FIG. 3 is a bottom plan view of a light fixture of the present invention;

FIG. 4 is a left side elevation view of a light fixture of the present invention;

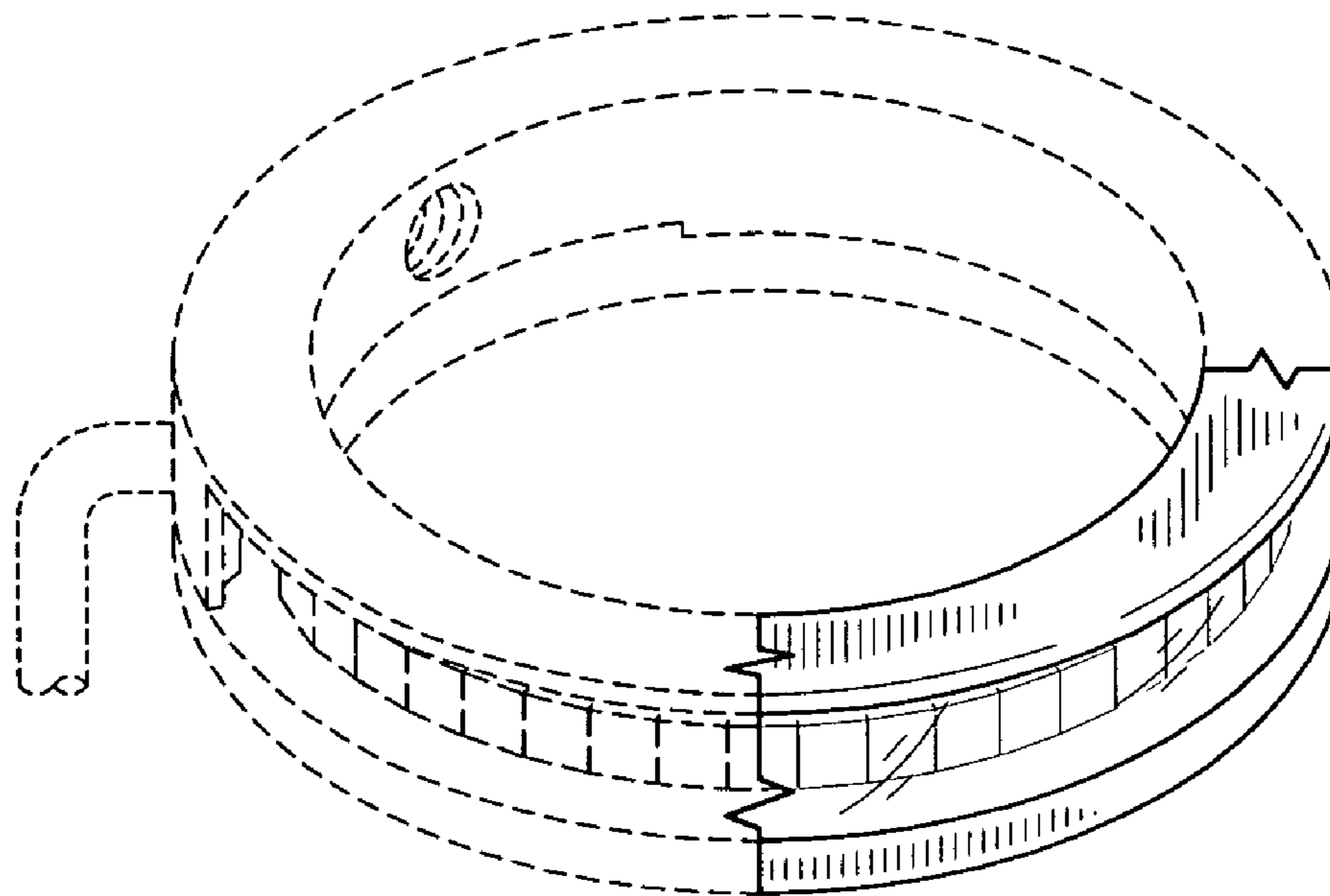
FIG. 5 is a right side elevation view of a light fixture of the present invention;

FIG. 6 is a rear elevation view of a light fixture of the present invention; and,

FIG. 7 is a front elevation view of a light fixture of the present invention.

The broken lines shown are included for the purpose of illustration only and form no part of the claimed design.

1 Claim, 2 Drawing Sheets



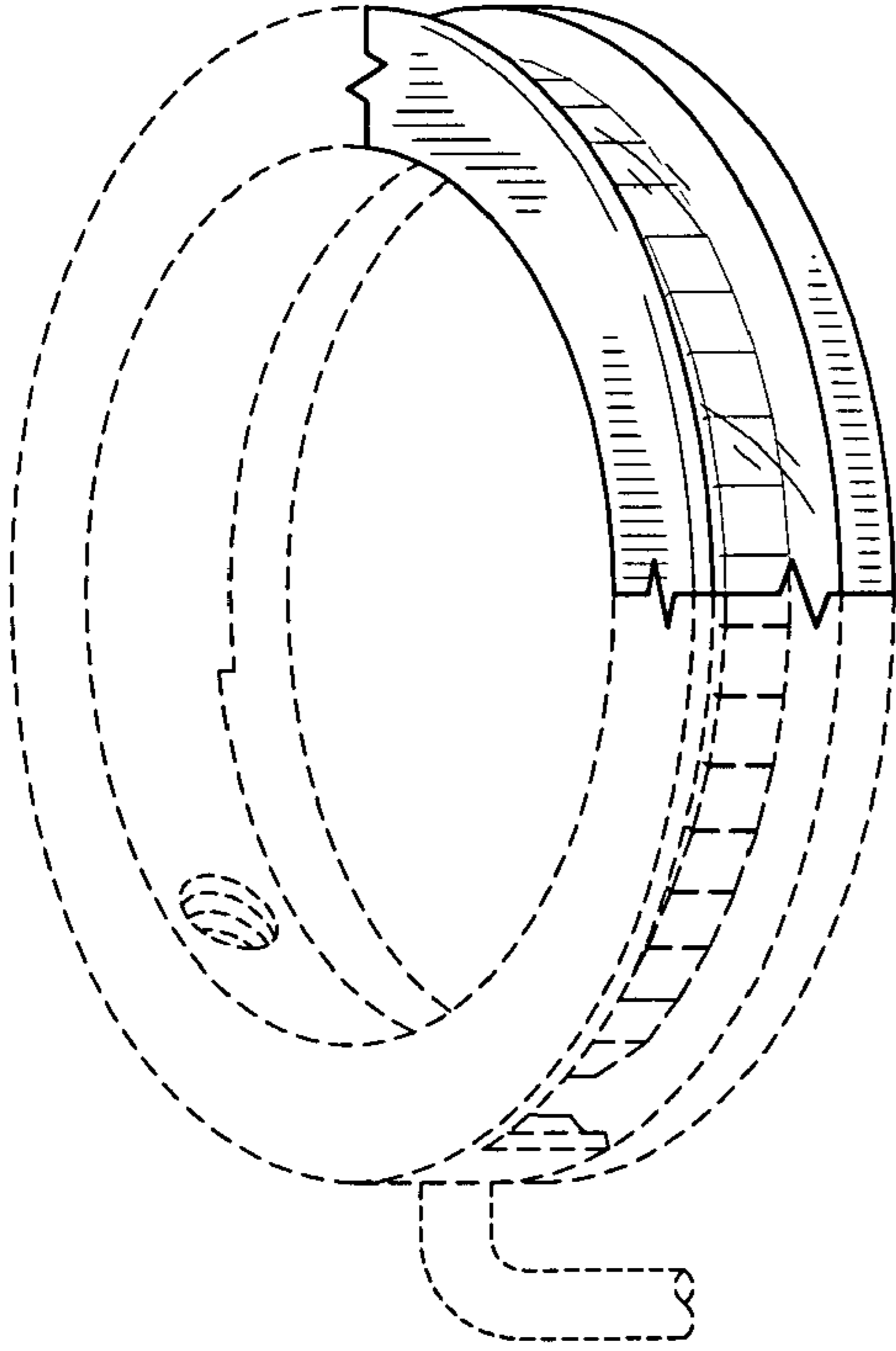


FIG-1

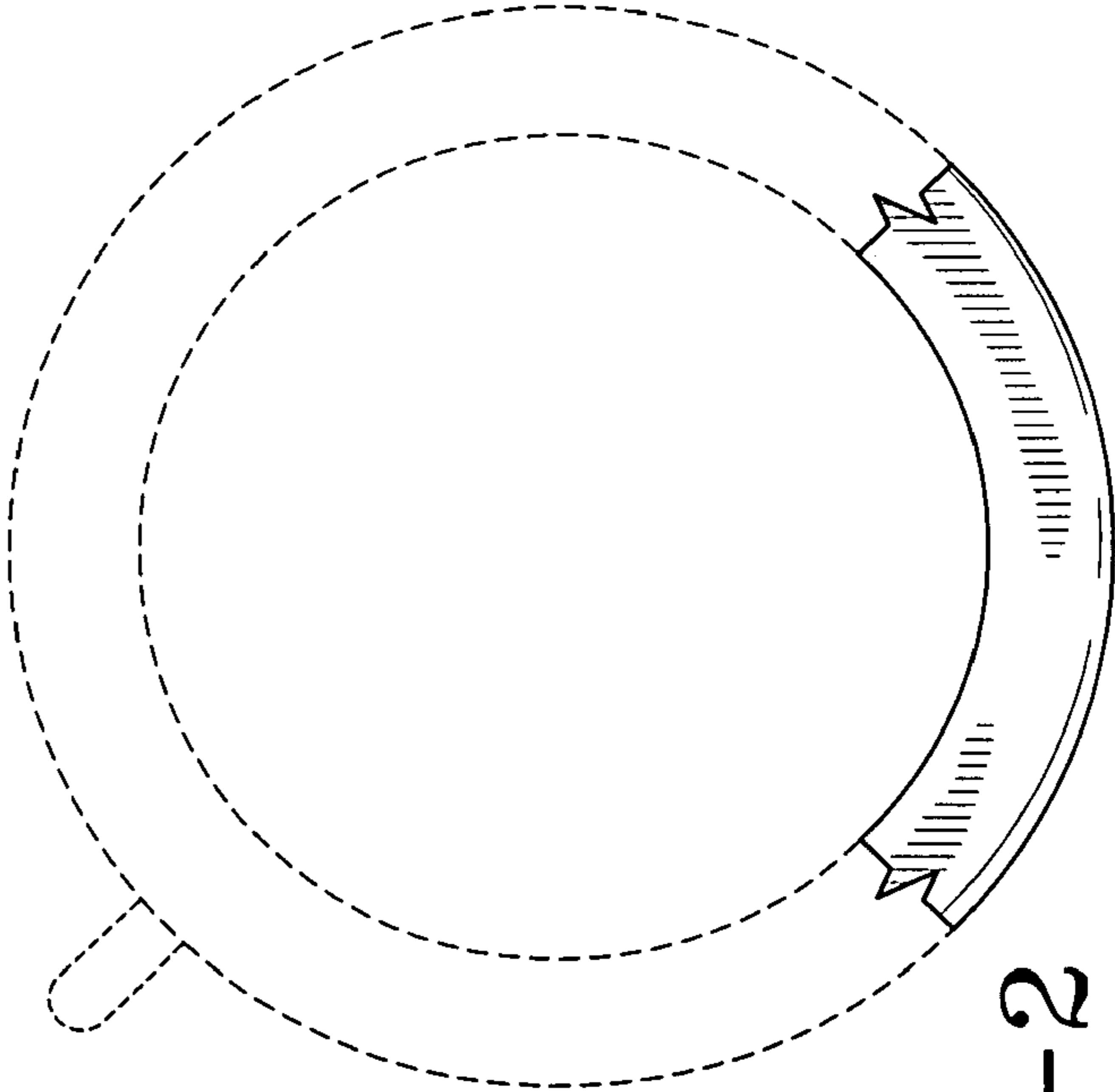


FIG-2

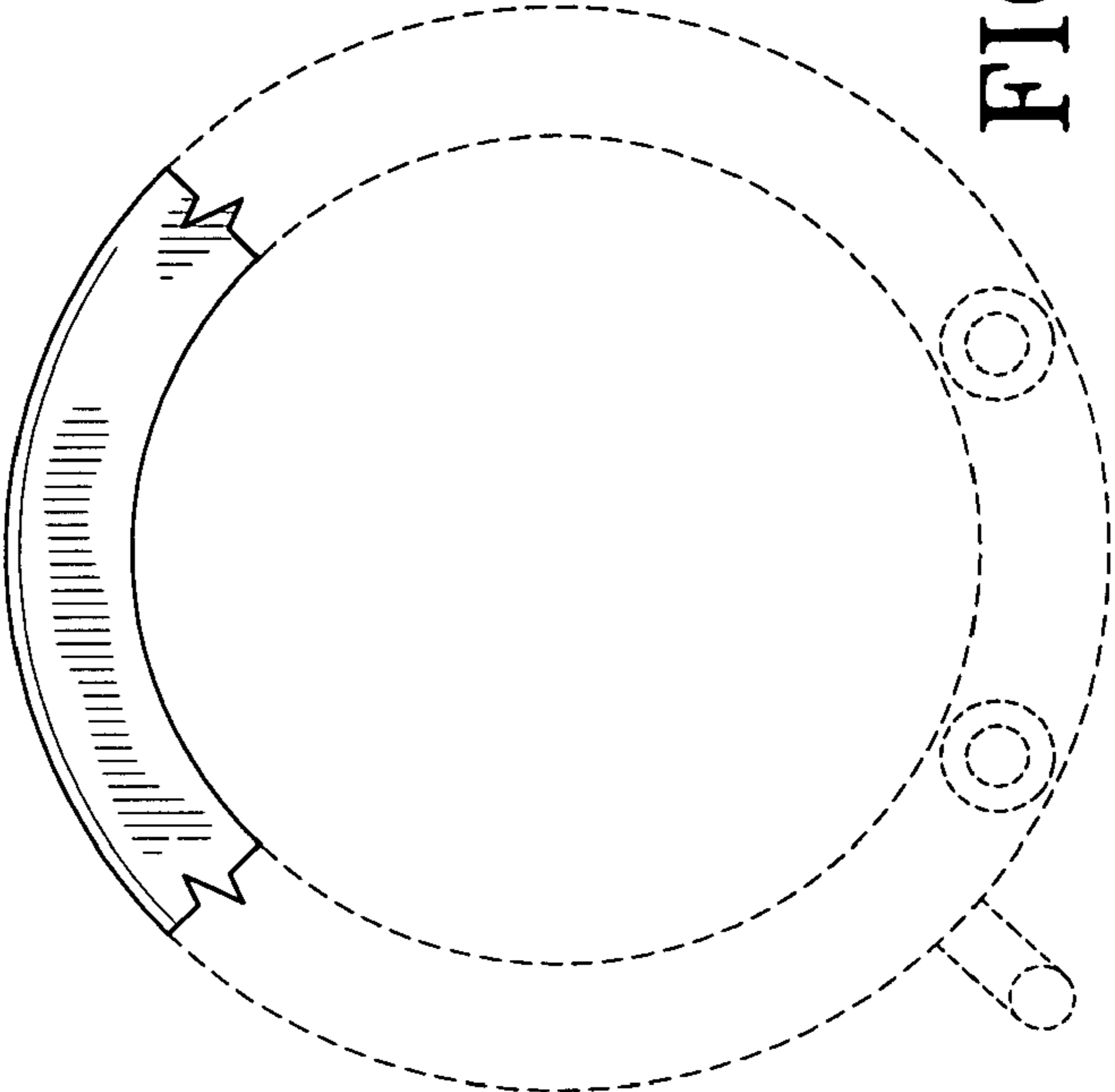


FIG-3

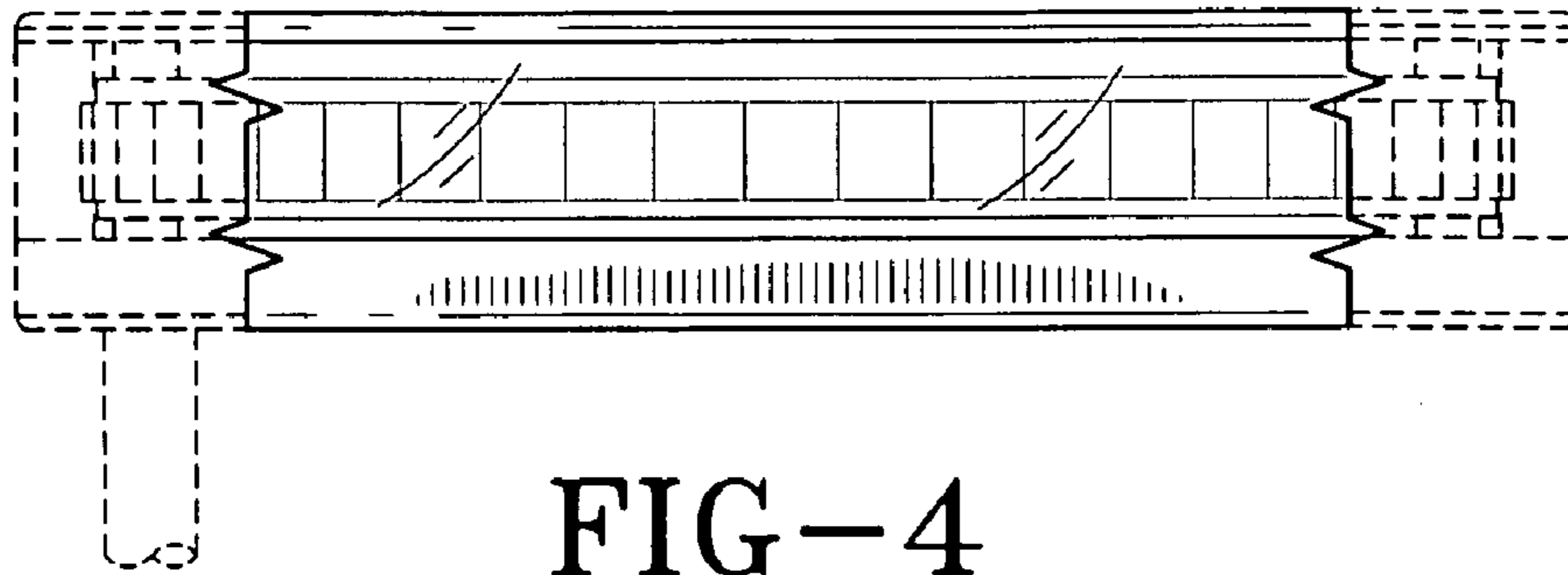


FIG-4

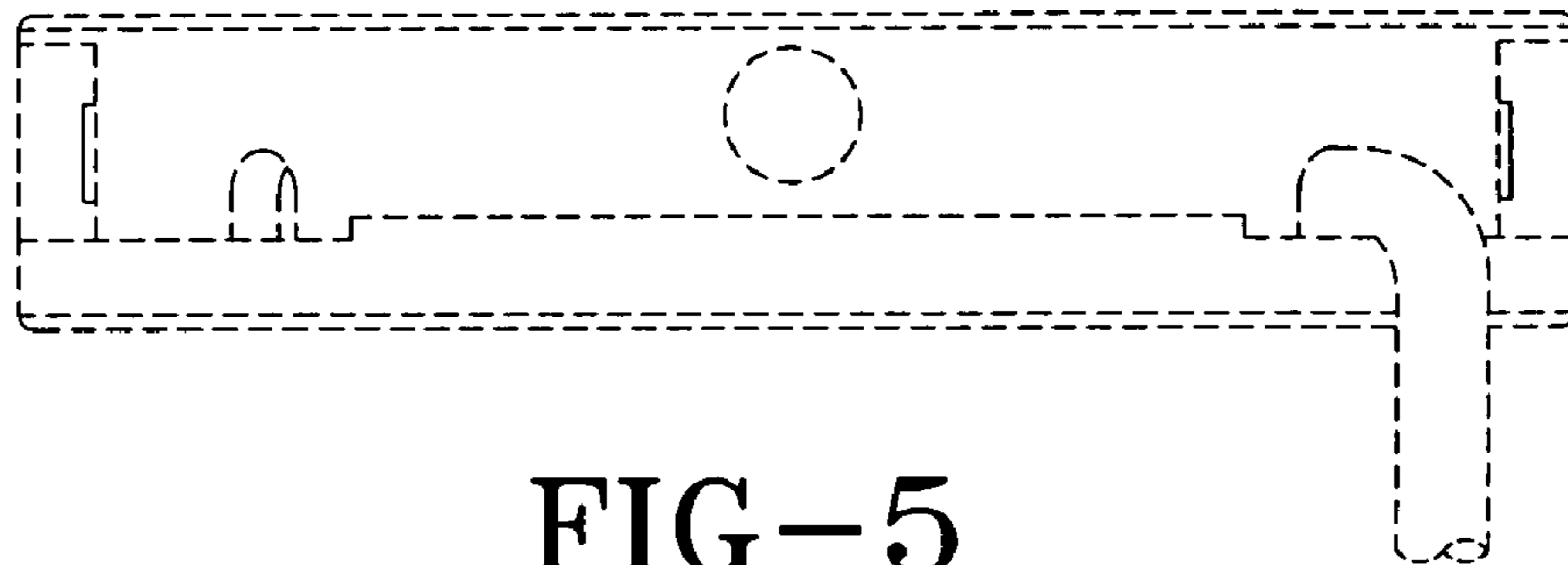


FIG-5

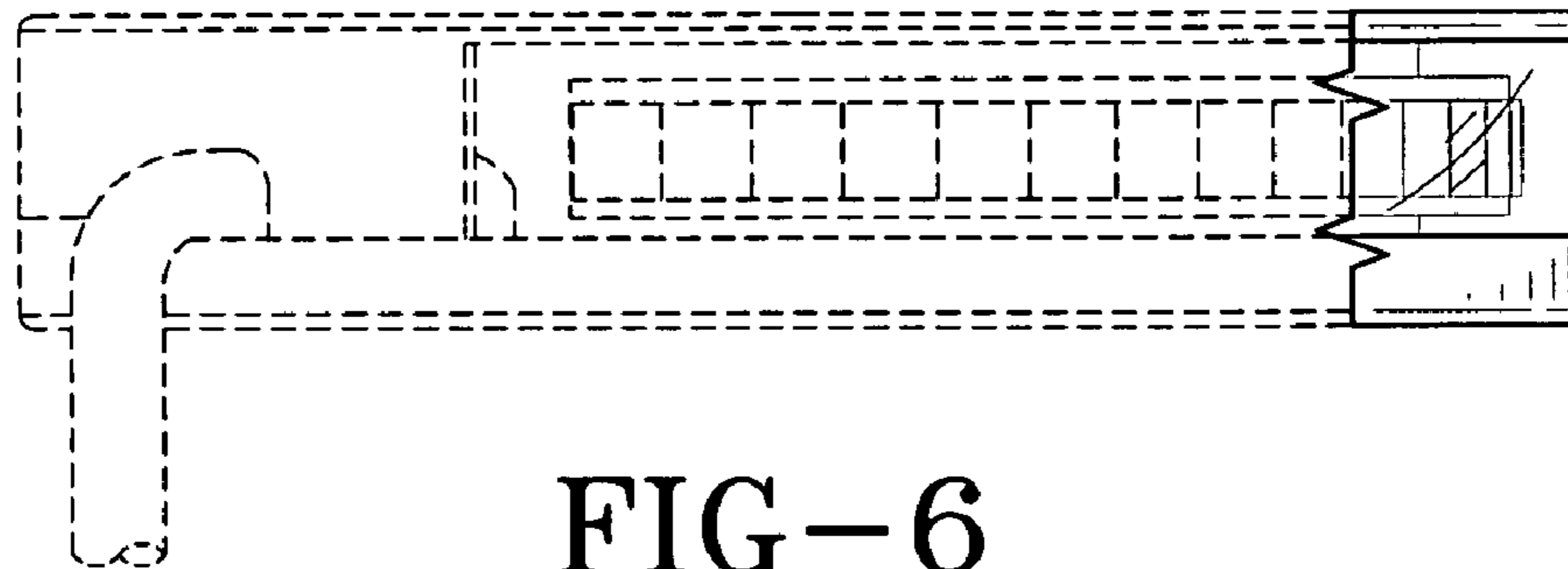


FIG-6



FIG-7