



US00D611183S

(12) **United States Design Patent**
Duarte

(10) **Patent No.:** **US D611,183 S**
(45) **Date of Patent:** **** Mar. 2, 2010**

(54) **LIGHTING FIXTURE**

(75) Inventor: **John Paul Duarte**, Garfield, NJ (US)

(73) Assignee: **Picasso Lighting Industries LLC**, Mt. Vernon, NY (US)

(**) Term: **14 Years**

(21) Appl. No.: **29/339,976**

(22) Filed: **Jul. 10, 2009**

(51) **LOC (9) Cl.** **26-03**

(52) **U.S. Cl.** **D26/76**

(58) **Field of Classification Search** D26/26,
D26/37, 67, 72, 74–79, 80, 85, 104, 108,
D26/118, 120, 122, 134; 362/147–148, 150,
362/217–225, 132, 260, 262–264, 267, 294,
362/345, 362, 364, 373, 376, 440

See application file for complete search history.

(56) **References Cited**

U.S. PATENT DOCUMENTS

D153,313 S *	4/1949	Phillips	D26/59
D195,012 S *	4/1963	Hoyle	D23/388
D399,586 S *	10/1998	Ranieri et al.	D26/74
D413,402 S *	8/1999	Ranieri et al.	D26/74
5,988,829 A *	11/1999	Holder	362/223
D496,121 S *	9/2004	Santoro	D26/74
D496,748 S *	9/2004	Herst et al.	D26/77
6,837,592 B1 *	1/2005	Dahlen	362/224

D544,992 S *	6/2007	Mayfield et al.	D26/118
7,390,111 B2 *	6/2008	Lippis	362/396
D593,246 S *	5/2009	Fowler et al.	D26/76
D595,006 S *	6/2009	Santoro	D26/74
2006/0023450 A1 *	2/2006	Chung et al.	362/246

* cited by examiner

Primary Examiner—Philip S Hyder

Assistant Examiner—Susan E Krakower

(74) *Attorney, Agent, or Firm*—Kane Kessler, P.C.; Paul E. Szabo

(57) **CLAIM**

The ornamental design for a lighting fixture, as shown and described.

DESCRIPTION

FIG. 1 is a perspective view of a lighting fixture showing my new invention.

FIG. 2 is another perspective view of the lighting fixture of FIG. 1.

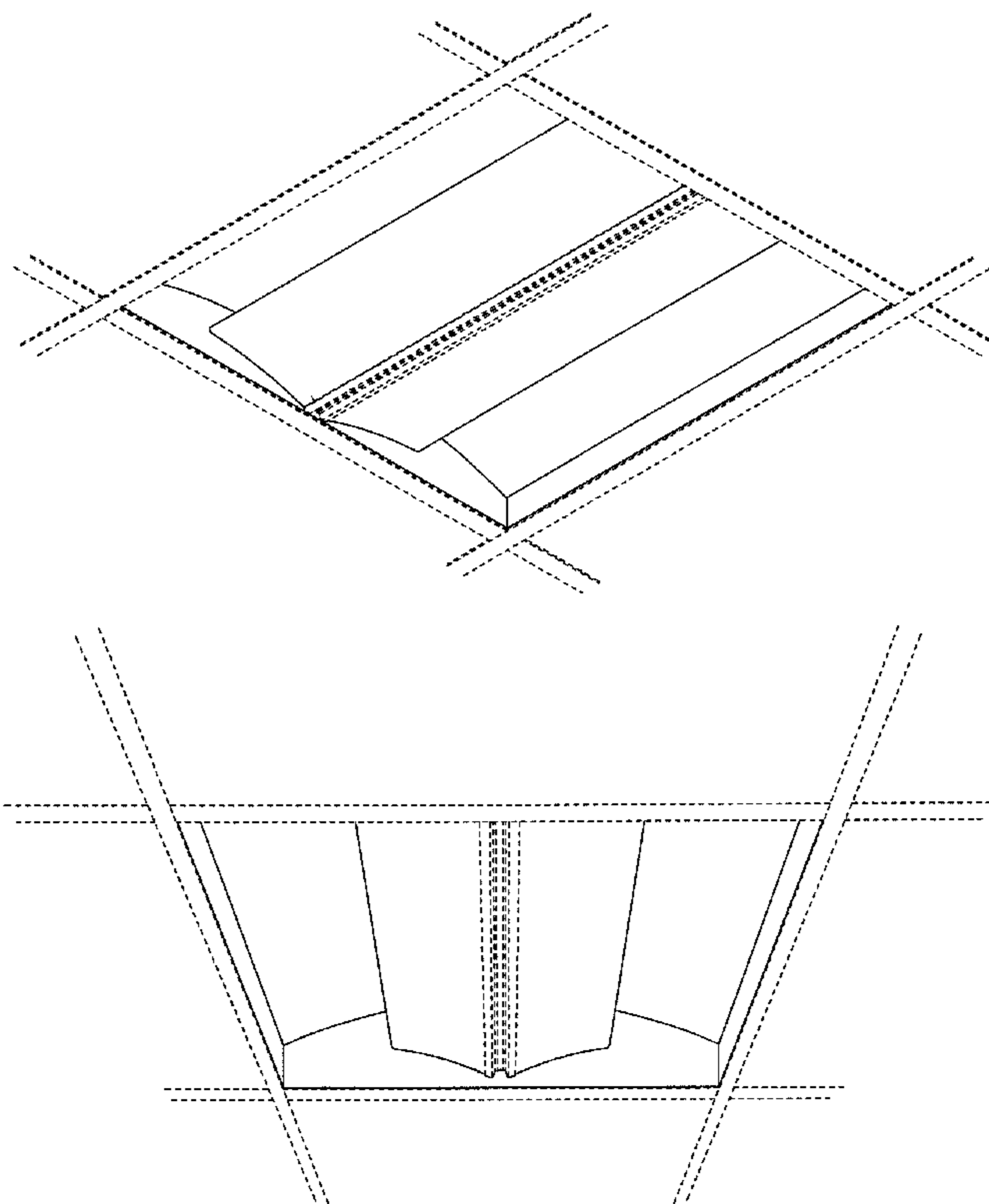
FIG. 3 is a bottom plan view of the lighting fixture of FIG. 1; and,

FIG. 4 is an enlarged cross-sectional view of the lighting fixture of FIG. 1, taken along line 4—4 of FIG. 3.

The portions shown in dashed lines are unclaimed.

The broken lines show environmental subject matter and form no part of the claimed design.

1 Claim, 2 Drawing Sheets



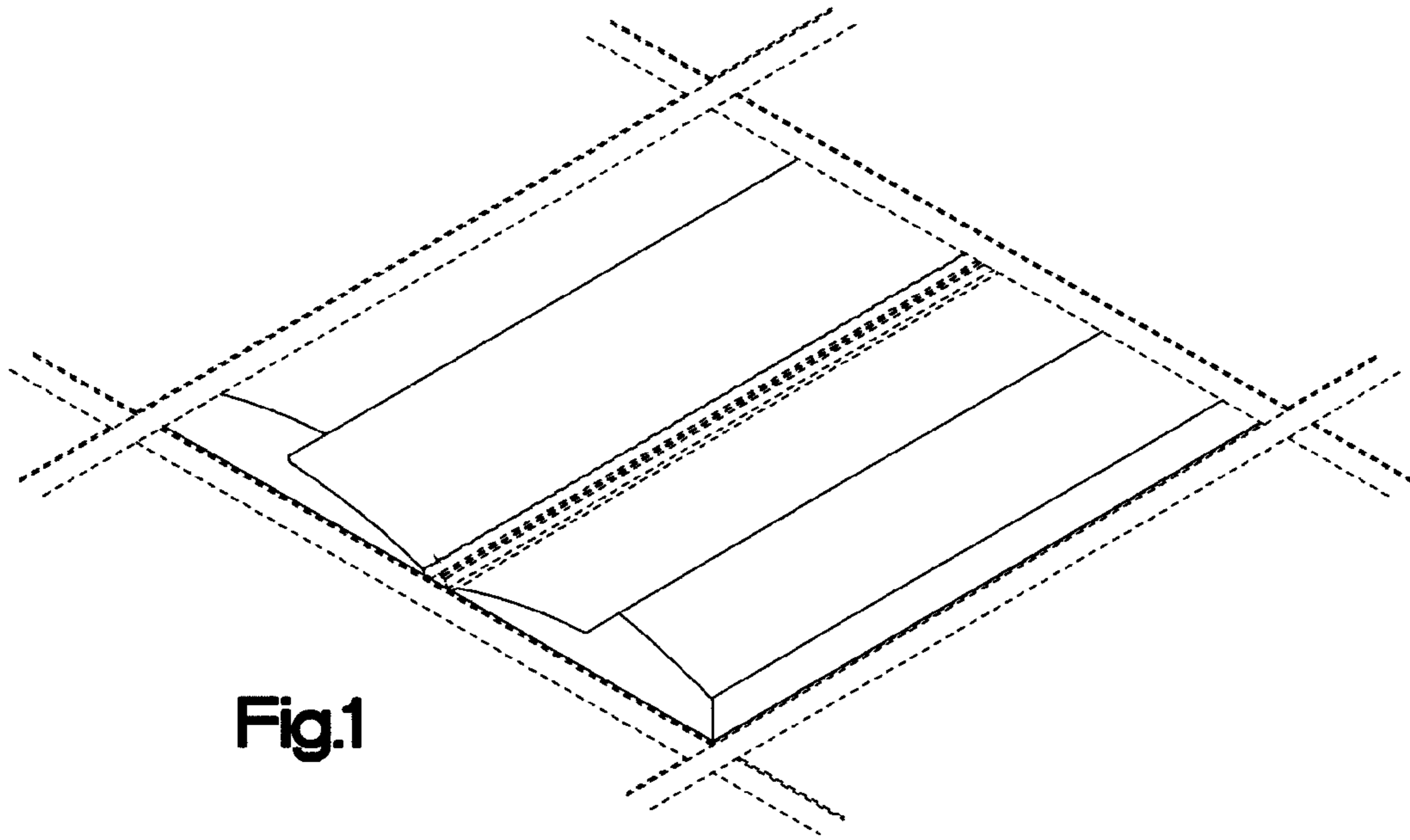


Fig.1

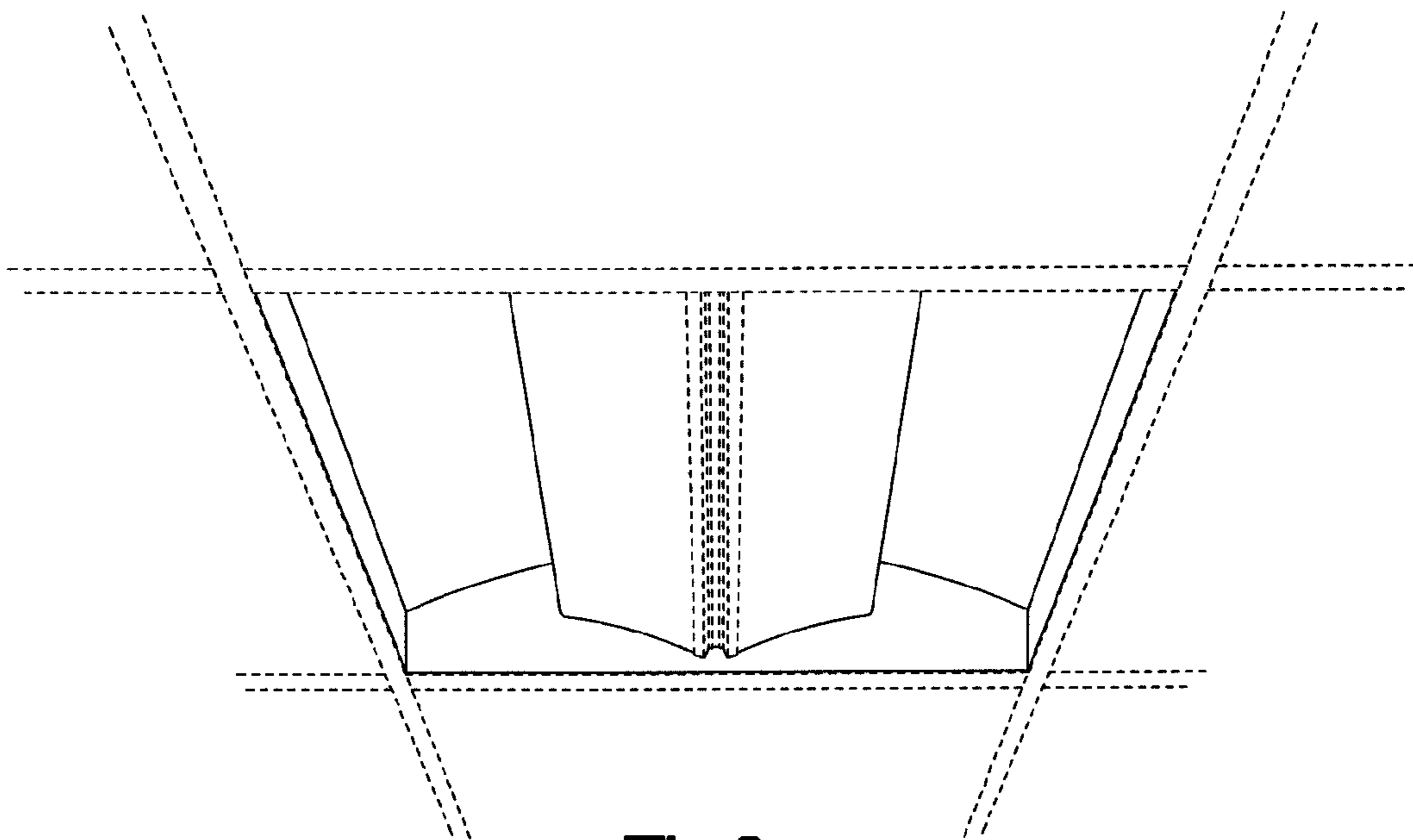


Fig.2

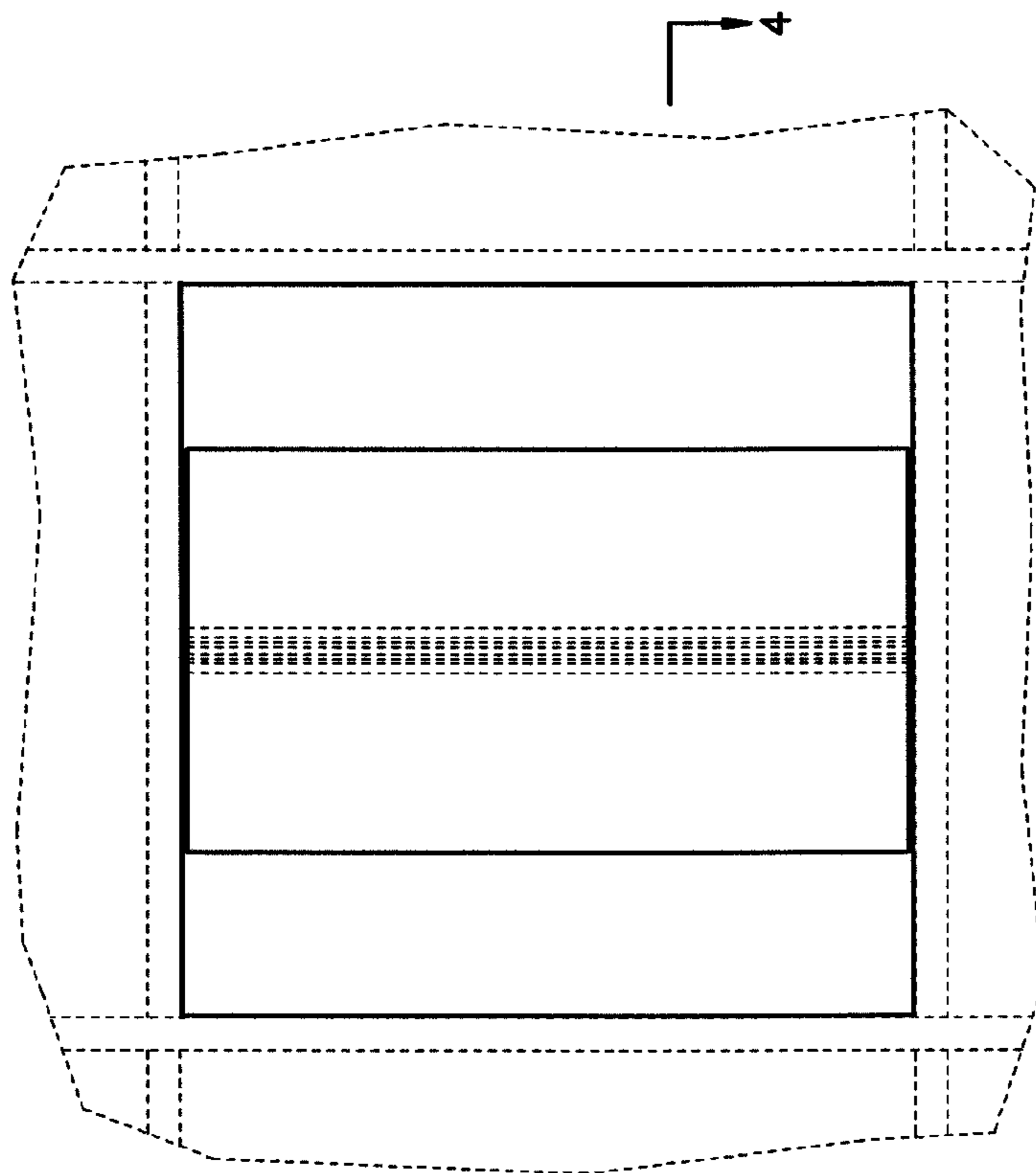


Fig.3

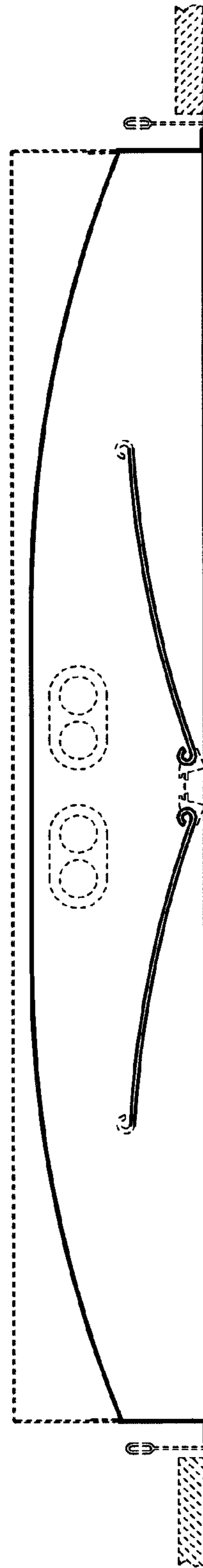


Fig.4