



US00D611181S

(12) **United States Design Patent**
Tsai et al.

(10) **Patent No.:** **US D611,181 S**
(45) **Date of Patent:** **** Mar. 2, 2010**

(54) **LIGHTING DEVICE**

2006/0250803 A1* 11/2006 Chen 362/373

(75) Inventors: **Shin-Chang Tsai**, Tucheng (TW);
Chai-Hao Liang, Tucheng (TW);
Hsi-Chuan Hsu, Tucheng (TW)

FOREIGN PATENT DOCUMENTS

TW 376283 10/1986
TW D125437 9/1996

(73) Assignee: **Everlight Electronics Co., Ltd.**,
Tucheng (TW)

OTHER PUBLICATIONS

Taiwanese Office Action dated Oct. 26, 2009 issued in related Taiwanese Patent Application No. 97306639.

(**) Term: **14 Years**

* cited by examiner

(21) Appl. No.: **29/337,243**

Primary Examiner—Clare E Heflin

(22) Filed: **May 18, 2009**

(74) *Attorney, Agent, or Firm*—Grossman, Tucker, Perreault & Pflieger, PLLC

(30) **Foreign Application Priority Data**

Nov. 21, 2008 (TW) 97306639

(57) **CLAIM**

(51) **LOC (9) Cl.** **26-05**

The ornamental design for a lighting device, as shown and described.

(52) **U.S. Cl.** **D26/71**

(58) **Field of Classification Search** D26/67–72,
D26/85, 92; 362/145, 152, 183, 294, 373,
362/414, 431, 545

DESCRIPTION

See application file for complete search history.

FIG. 1 is a perspective view of a lighting device showing the claimed design;

FIG. 2 is a front elevational view thereof;

FIG. 3 is a rear elevational view thereof;

FIG. 4 is a left side elevational view thereof;

FIG. 5 is a right side elevational view thereof;

FIG. 6 is a top plan view thereof; and,

FIG. 7 is a bottom plan view thereof.

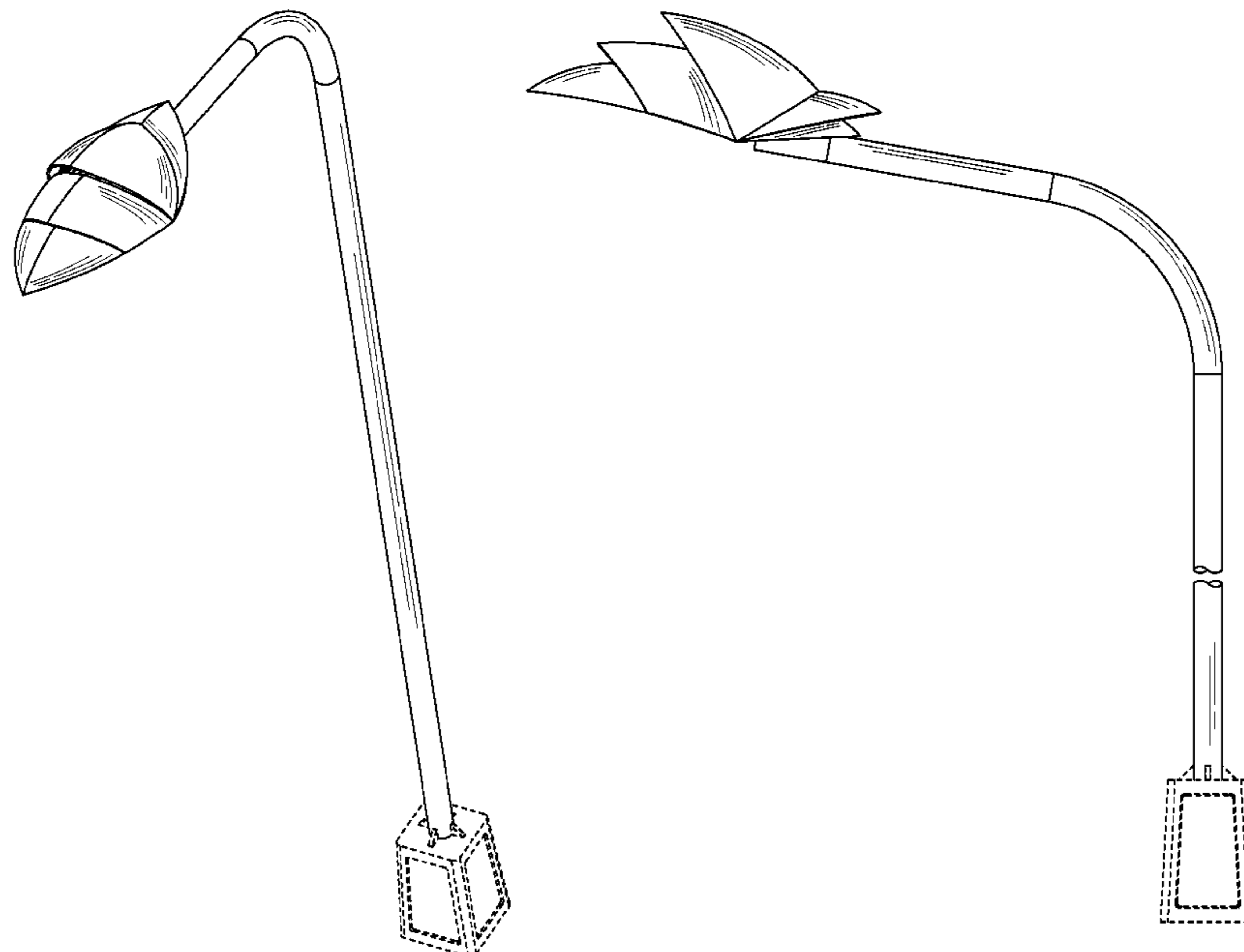
The segmental shaft body depicted in FIGS. 2, 3, 4, and 5 illustrate that its length is not limited, whereas the broken lines of all of the figures are directed to environment and are for illustrative purposes only for forming no part of the claimed design.

(56) **References Cited**

U.S. PATENT DOCUMENTS

D29,160 S	8/1898	Gowen	
D183,563 S *	9/1958	Elmer D26/71
D324,433 S *	3/1992	Camino et al. D26/67
6,784,357 B1 *	8/2004	Wang 362/431
D550,388 S *	9/2007	Binsukor D26/67
D555,280 S	11/2007	Quintana-Creus et al.	
D555,281 S	11/2007	Quintana-Creus et al.	
D570,516 S *	6/2008	Orellana D26/71
D570,521 S *	6/2008	Belleau D26/85
D586,030 S *	2/2009	Genova D26/85
D588,292 S *	3/2009	Sabernig D26/71

1 Claim, 7 Drawing Sheets



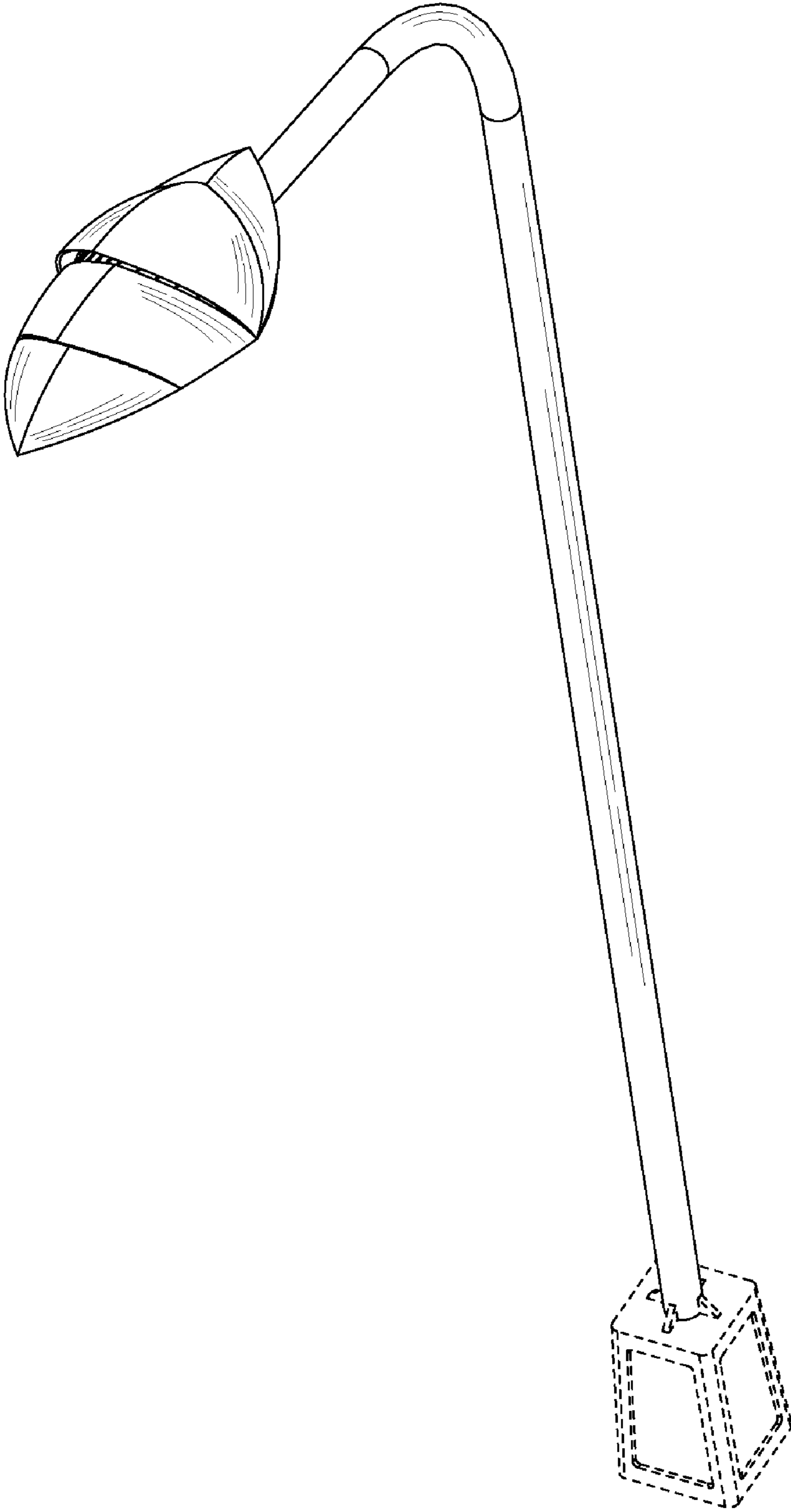


FIG. 1

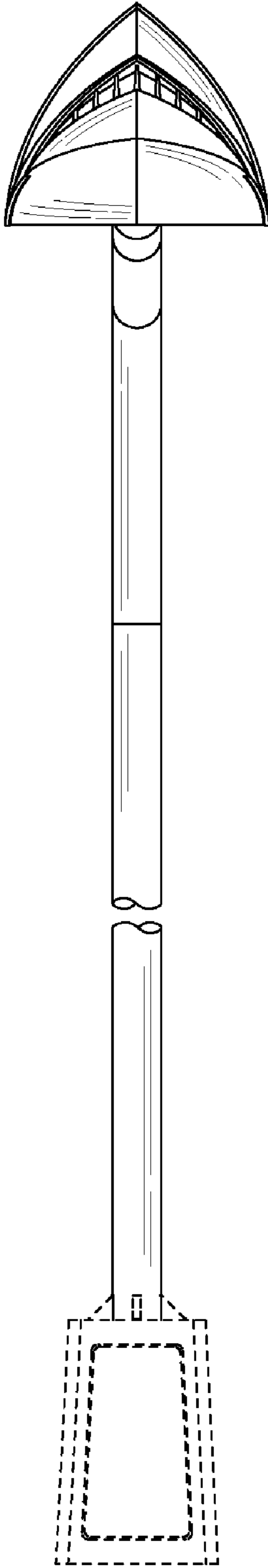


FIG. 2

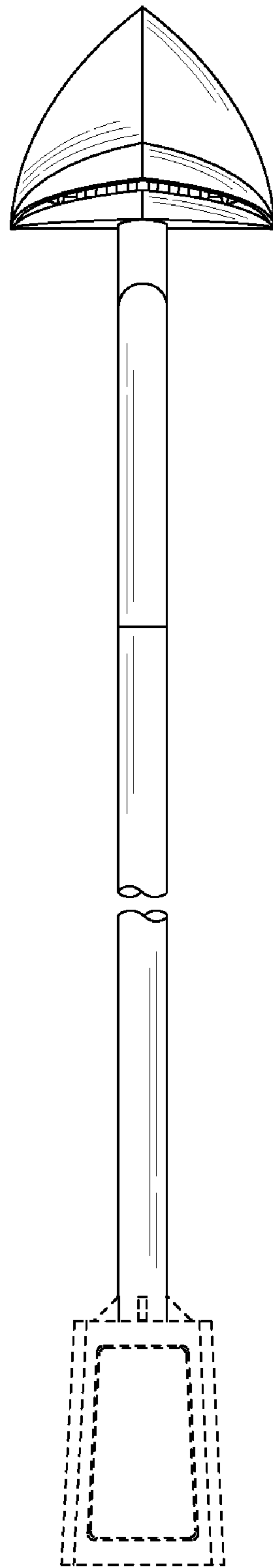


FIG. 3

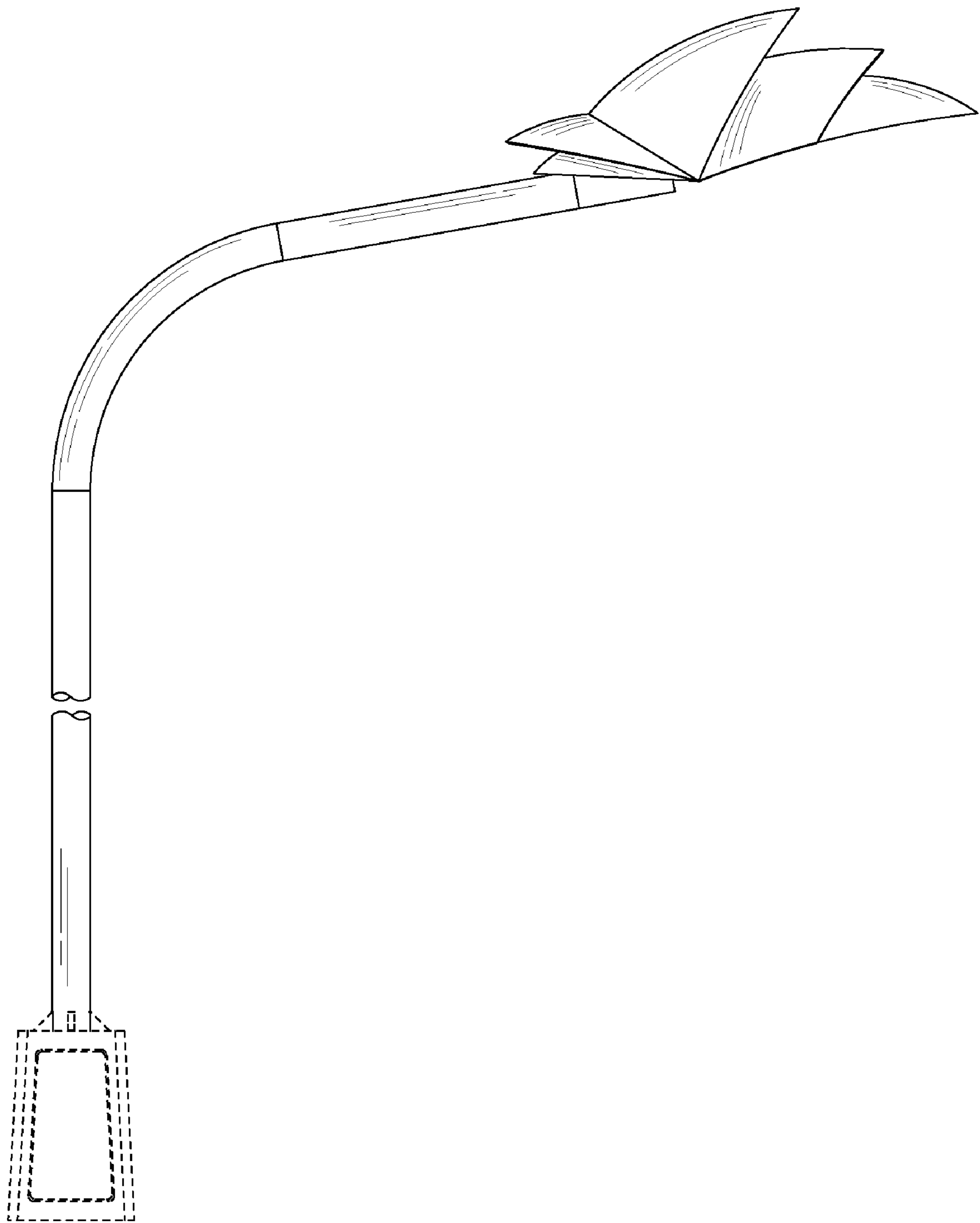


FIG. 4

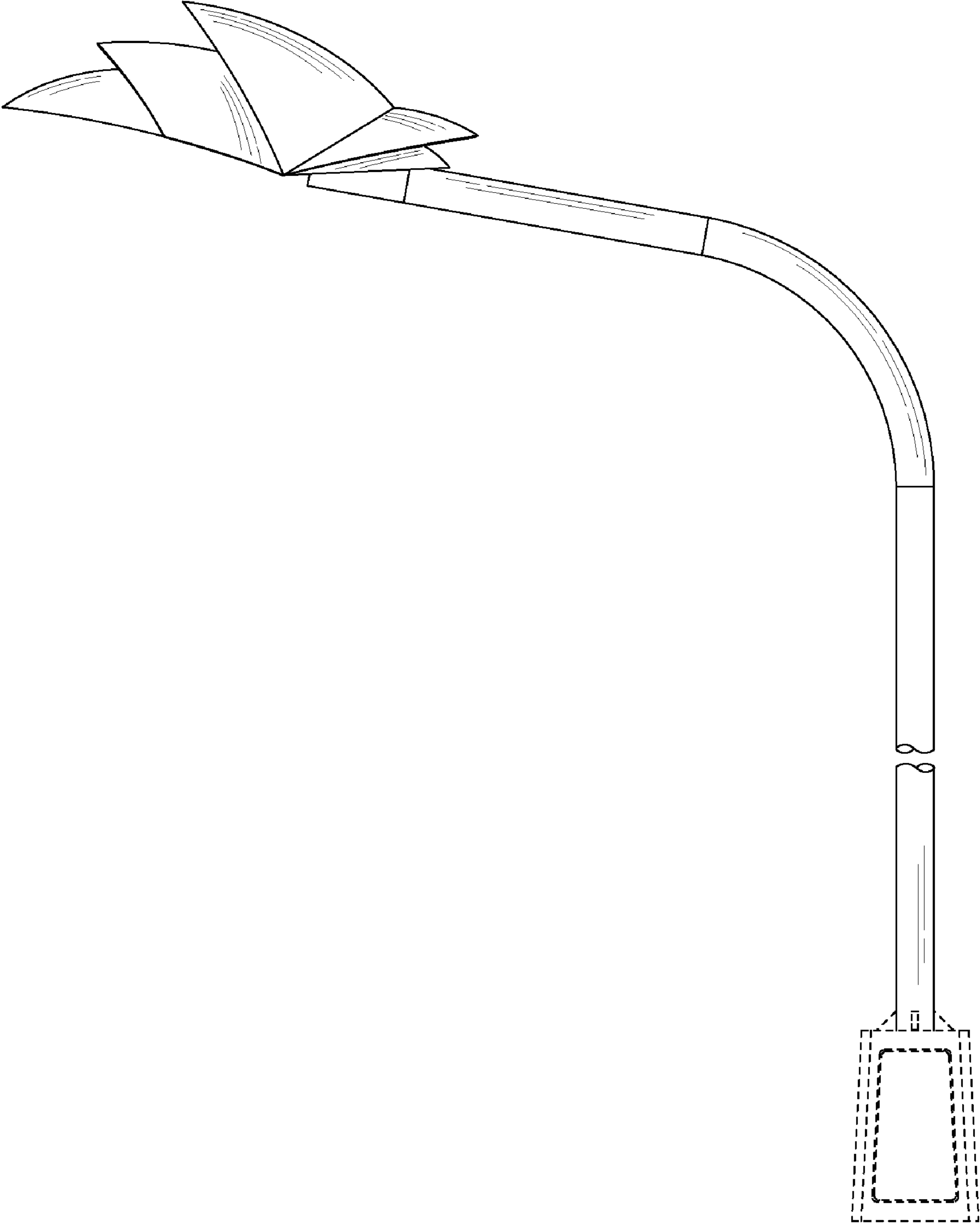


FIG. 5

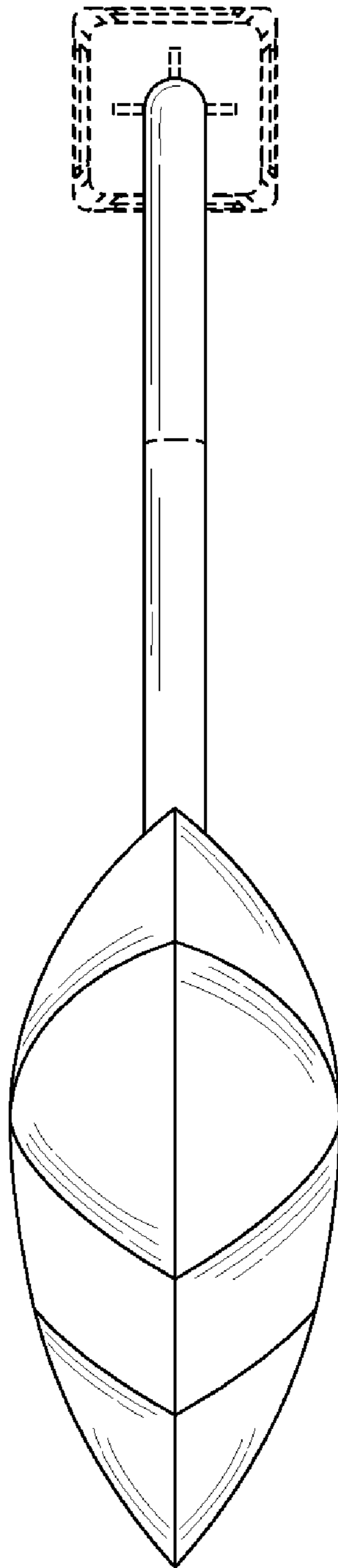


FIG. 6

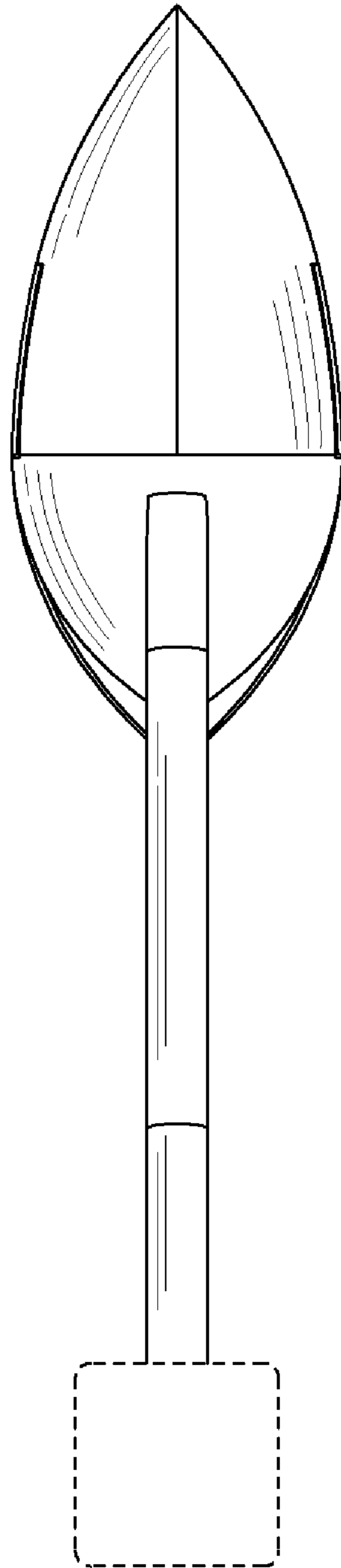


FIG. 7