



US00D611180S

(12) **United States Design Patent**
Swiger

(10) **Patent No.:** **US D611,180 S**

(45) **Date of Patent:** **** Mar. 2, 2010**

(54) **MEMORIAL LIGHT**

(76) **Inventor:** **Teresa Sue Swiger**, 142 Bates Dr.,
LaFayette, GA (US) 30728

(**) **Term:** **14 Years**

(21) **Appl. No.:** **29/313,449**

(22) **Filed:** **Jan. 8, 2009**

(51) **LOC (9) Cl.** **26-05**

(52) **U.S. Cl.** **D26/67; D26/73; D99/18;**
D99/22

(58) **Field of Classification Search** D26/24,
D26/67-71, 73, 93; D99/18, 22; 362/152,
362/153, 153.1, 180, 183, 431, 653; 52/104
See application file for complete search history.

(56) **References Cited**

U.S. PATENT DOCUMENTS

D10,784	S	*	8/1878	McFarlan	D99/8
D80,375	S	*	1/1930	Hager	D99/23
1,860,915	A	*	5/1932	Whitman	D99/18
D123,279	S	*	10/1940	Steindl	D99/20
2,358,009	A	*	9/1944	Hogsten et al.	52/104
D193,078	S	*	6/1962	Lucken et al.	D99/21
4,304,076	A	*	12/1981	Splendora	52/104
D291,926	S	*	9/1987	Schlepp	D26/67
D297,478	S	*	8/1988	Taylor	D99/18
5,255,170	A	*	10/1993	Plamp et al.	362/183

6,467,222	B2	*	10/2002	Barnes	52/104
D508,580	S	*	8/2005	Norris et al.	D26/67
D535,775	S	*	1/2007	Lueken	D26/93
7,635,196	B2	*	12/2009	Monahan	362/183
2003/0221377	A1	*	12/2003	Crawford et al.	362/183
2005/0257444	A1	*	11/2005	Timms	52/104

* cited by examiner

Primary Examiner—Clare E Heflin

(57) **CLAIM**

The ornamental design for a memorial light, as shown and described.

DESCRIPTION

FIG. 1 is a front view of my new, original and ornamental design for a memorial light;

FIG. 2 is a top view thereof;

FIG. 3 is a bottom view thereof;

FIG. 4 is a right side view thereof; a left side view being a mirror image thereof;

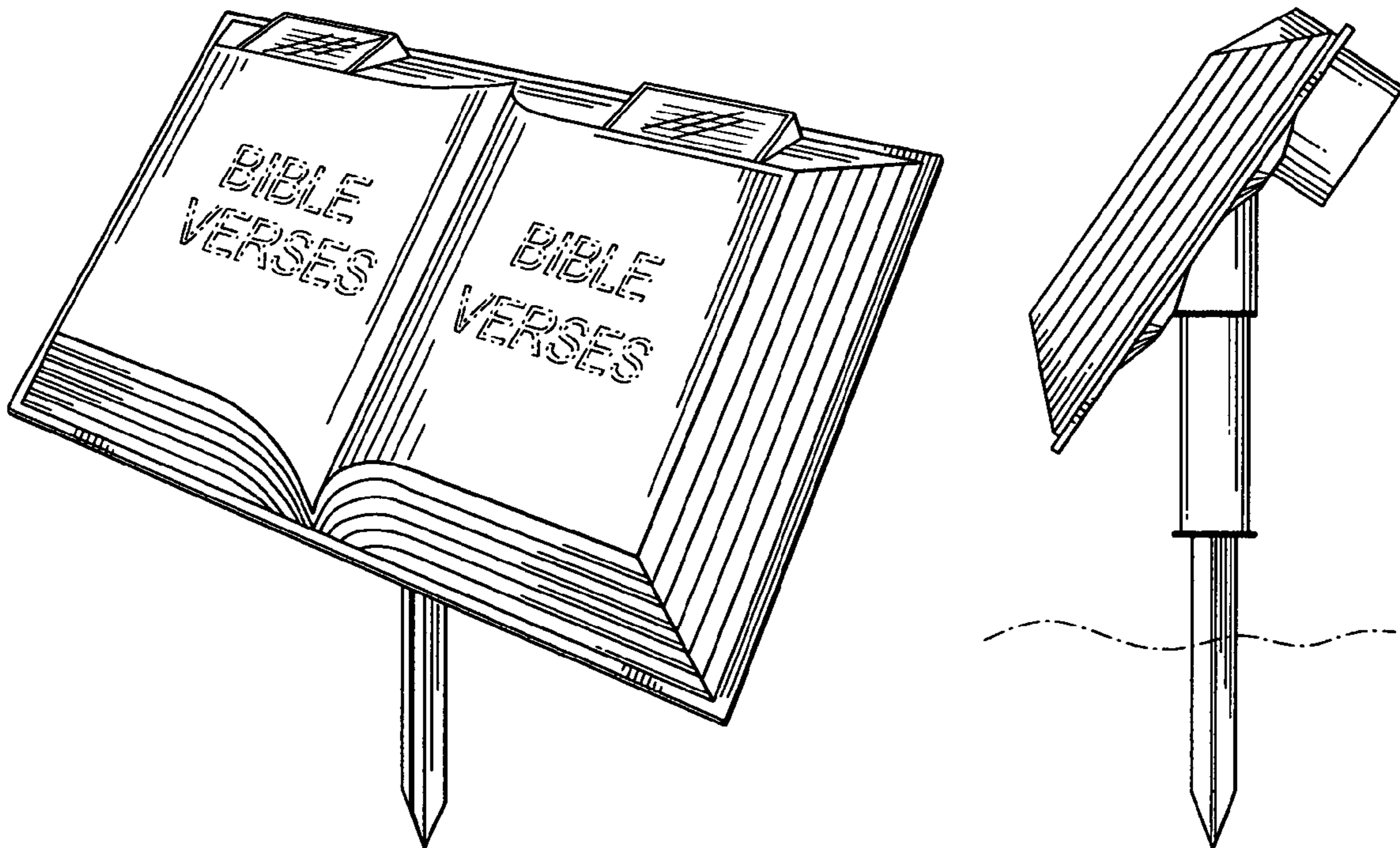
FIG. 5 is a back view thereof;

FIG. 6 is a perspective view thereof; and,

FIG. 7 is an installed view thereof.

The broken lines shown on the drawings depict environment only and form no part of the claimed design.

1 Claim, 2 Drawing Sheets



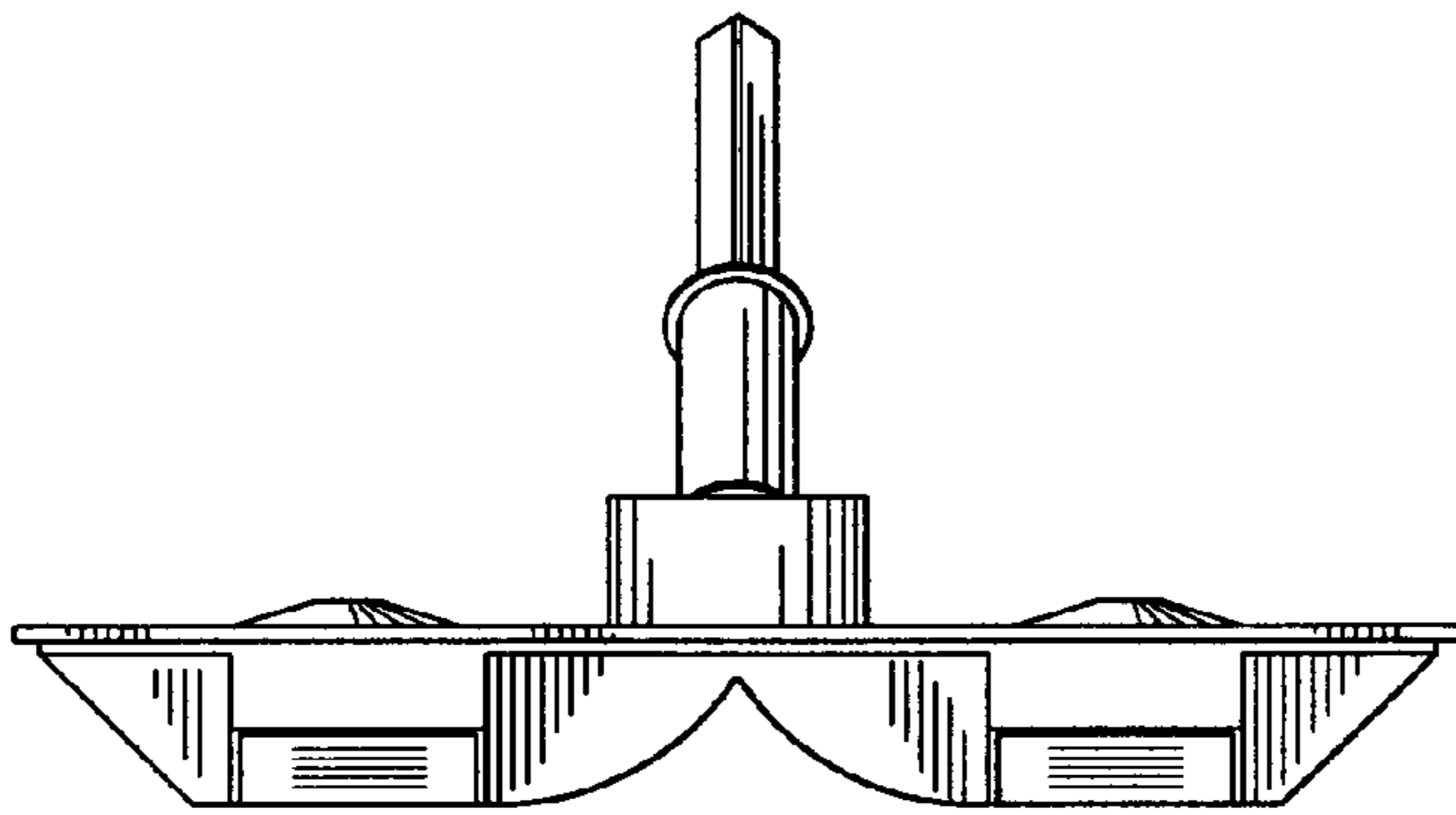


FIG. 2

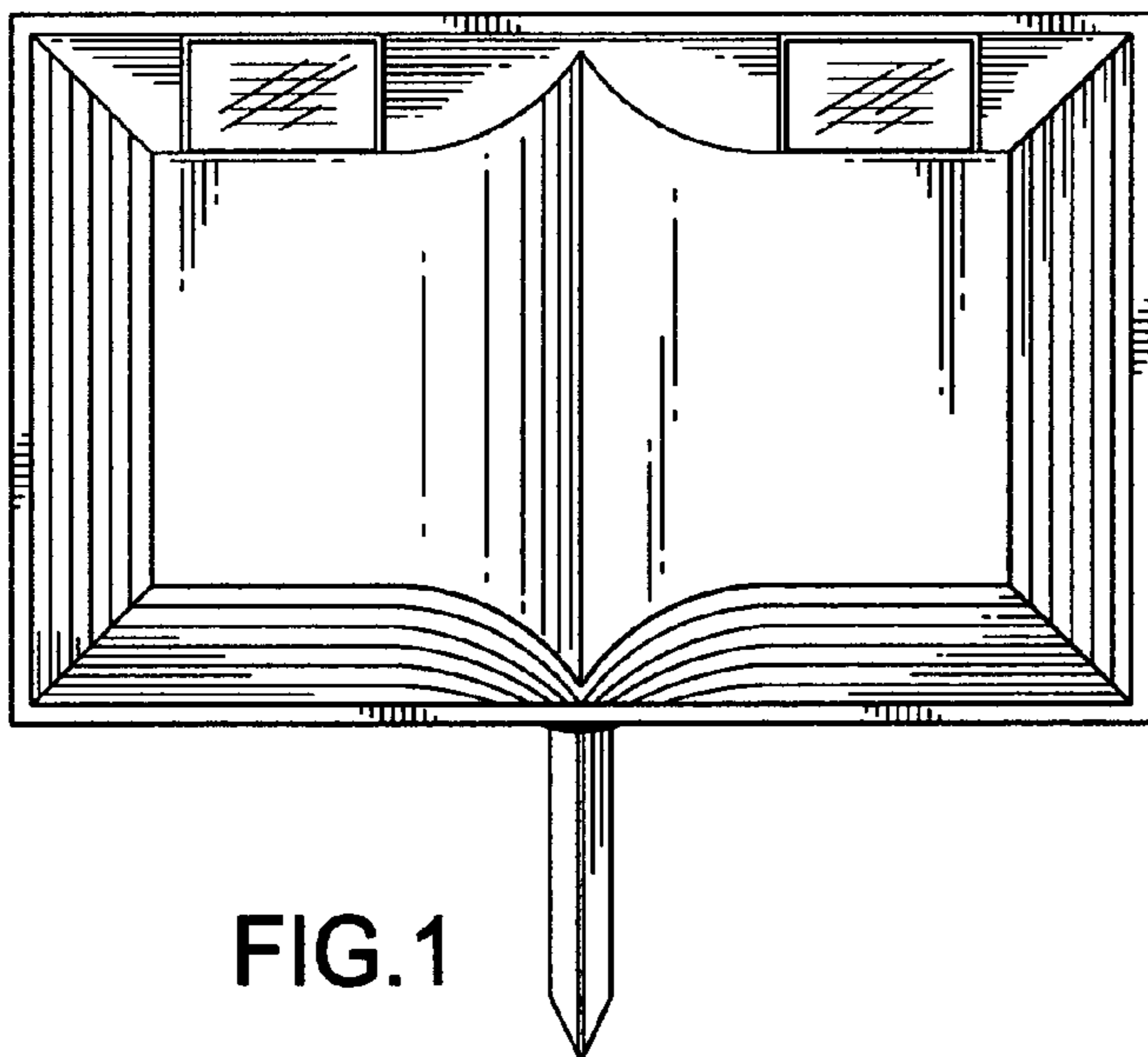


FIG. 1

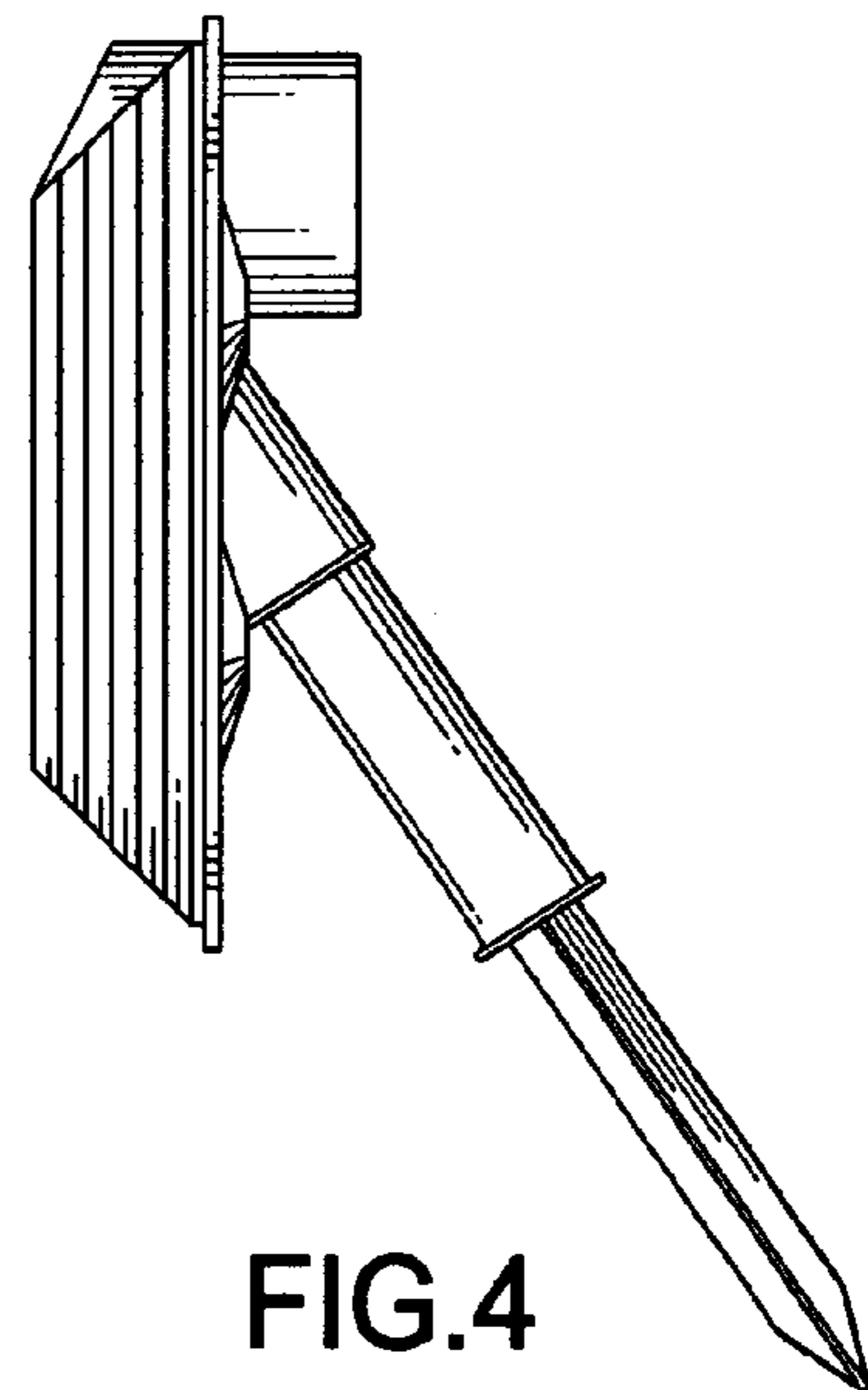


FIG. 4

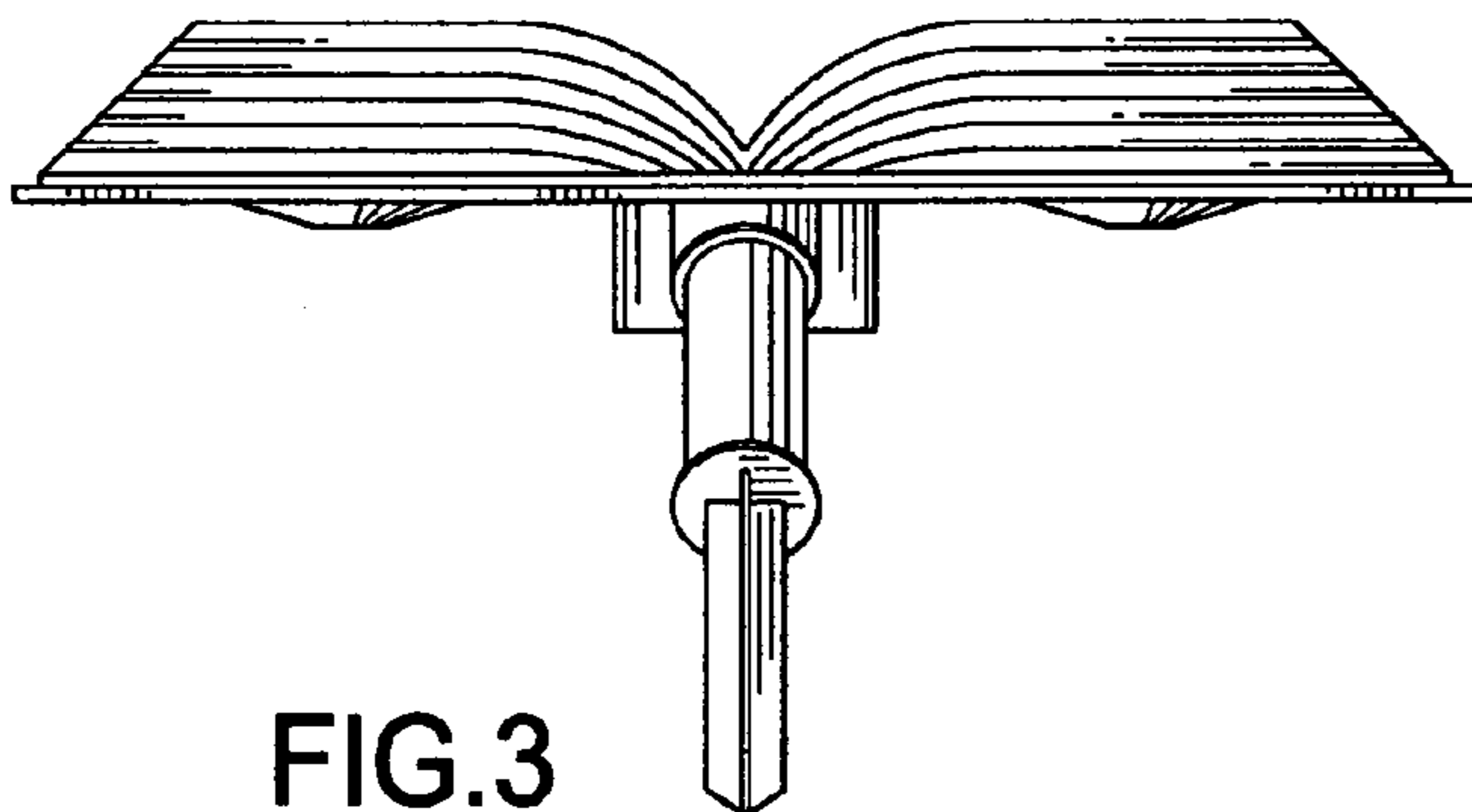


FIG. 3

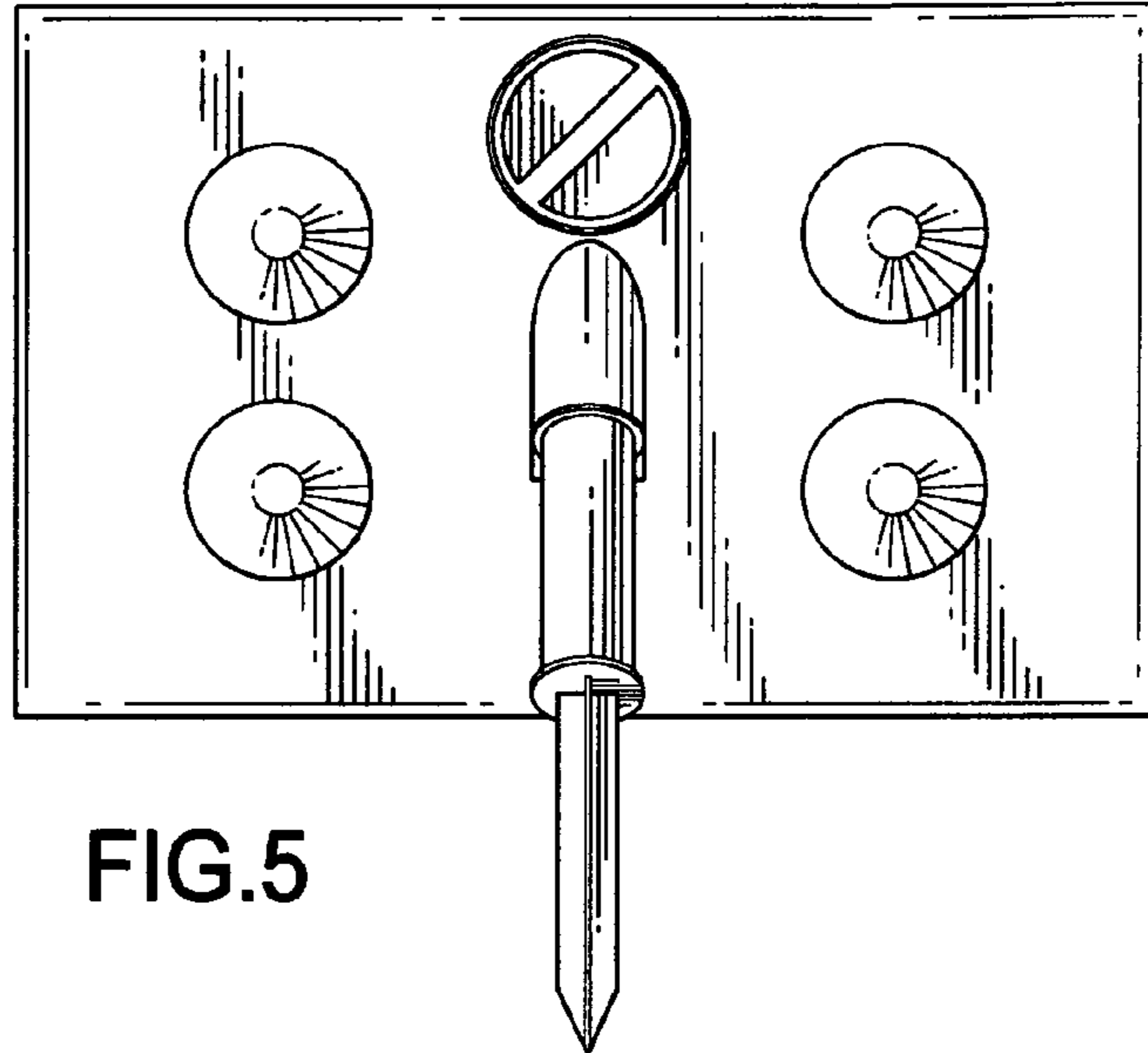


FIG. 5

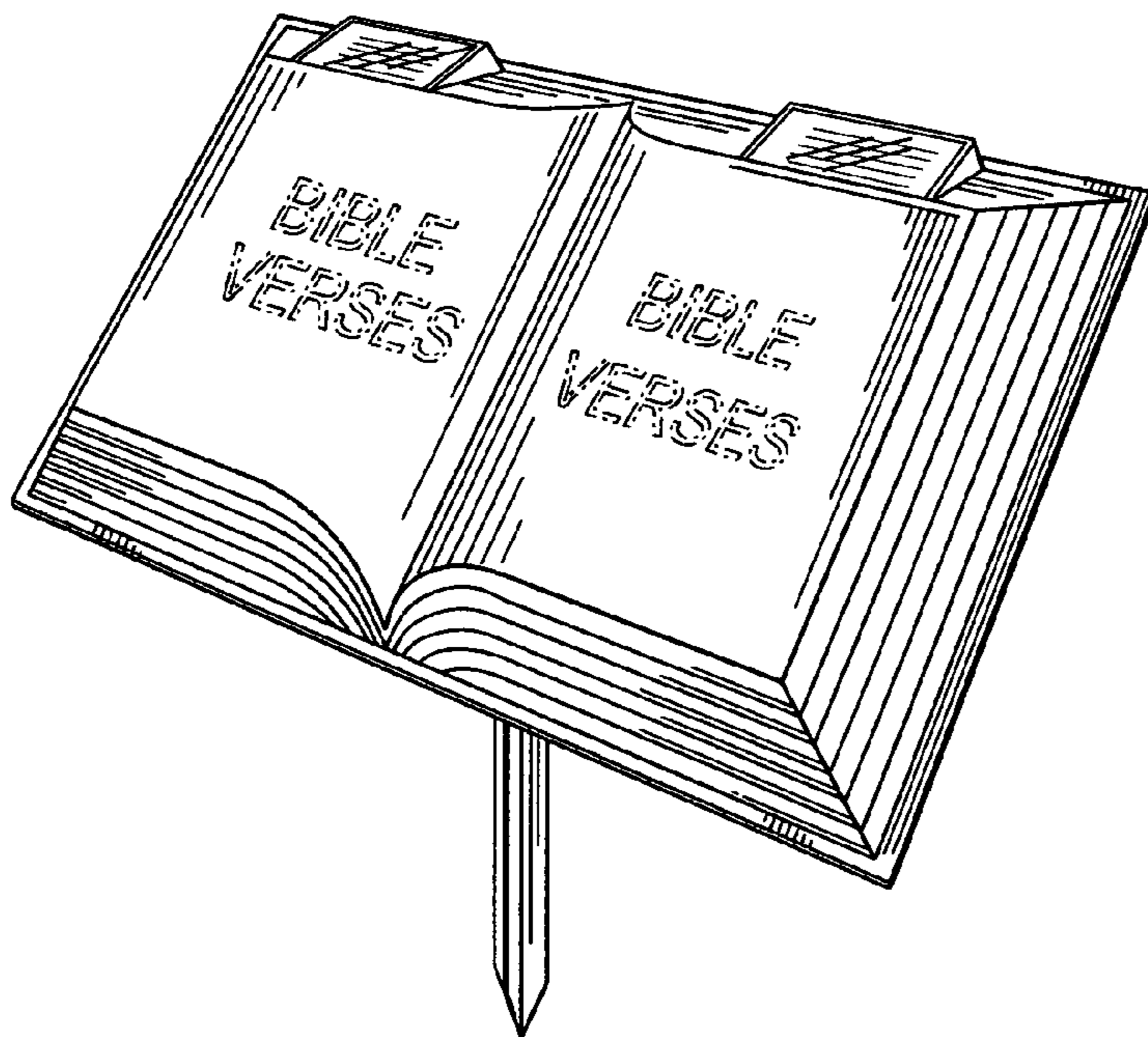


FIG. 6

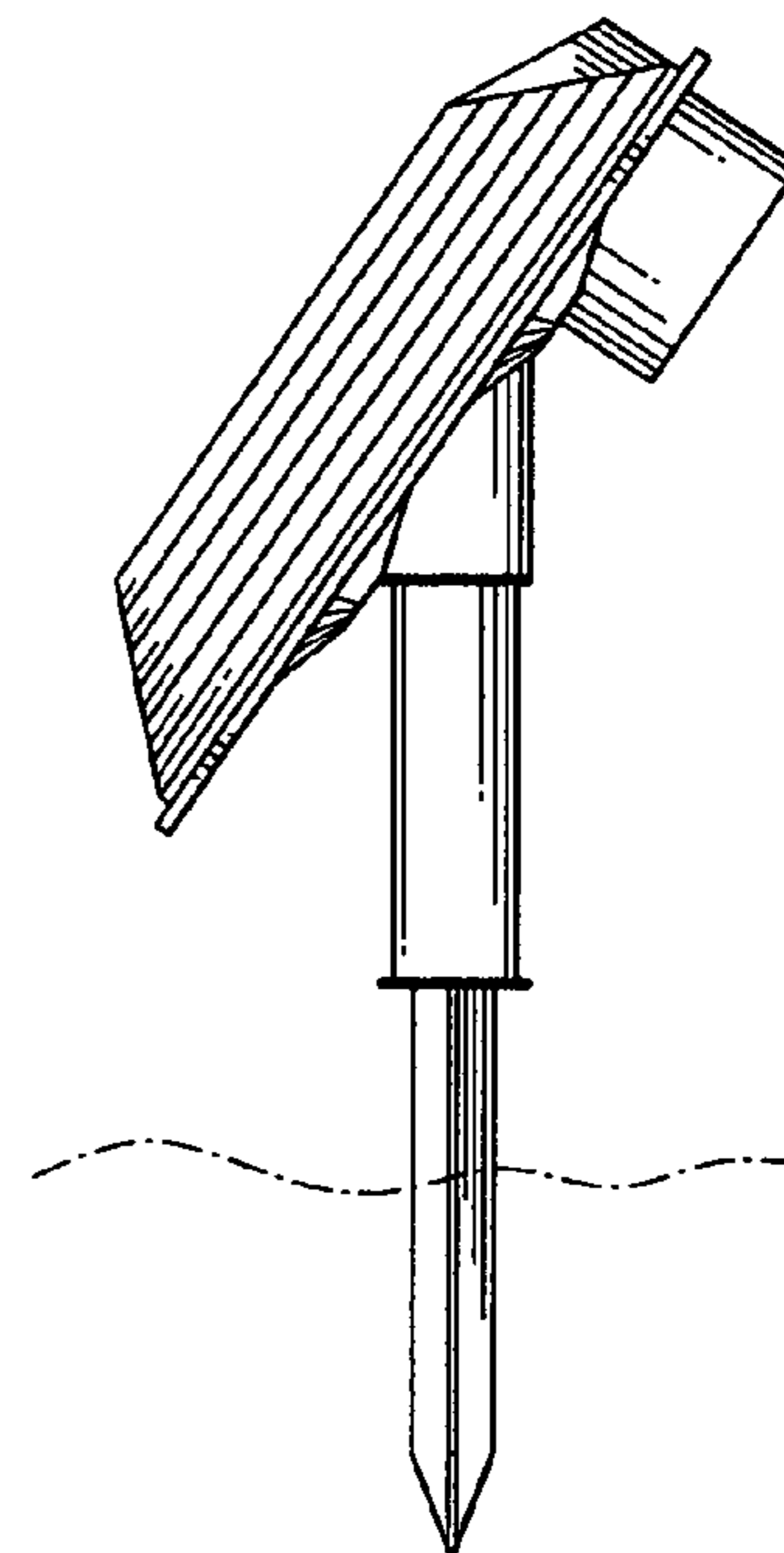


FIG. 7