



US00D611179S

(12) **United States Design Patent**  
**Jiang**

(10) **Patent No.:** **US D611,179 S**  
(45) **Date of Patent:** **\*\* Mar. 2, 2010**

(54) **HAND LIGHT**

(75) Inventor: **Zheng Jiang**, Shanghai (CN)

(73) Assignee: **American Electric Cord, Inc.**, Shanghai (CN)

(\*\*) Term: **14 Years**

(21) Appl. No.: **29/338,828**

(22) Filed: **Jun. 19, 2009**

(51) **LOC (9) Cl.** ..... **26-02**

(52) **U.S. Cl.** ..... **D26/42**

(58) **Field of Classification Search** ..... D26/37,  
D26/38, 40, 42, 43, 44, 46, 49; 362/157,  
362/158, 183, 184, 190, 191, 194-196, 198-208  
See application file for complete search history.

(56) **References Cited**

**U.S. PATENT DOCUMENTS**

D367,123 S *	2/1996	Blye	.....	D26/42
5,697,695 A *	12/1997	Lin et al.	.....	362/184
D389,420 S *	1/1998	Campman	.....	D10/114

(Continued)

*Primary Examiner*—Ian Simmons

*Assistant Examiner*—Carissa C Fitts

(74) *Attorney, Agent, or Firm*—Stephen M. Nipper; Dykas, Shaver & Nipper, LLP

(57) **CLAIM**

The ornamental design for a hand light, as shown and described.

**DESCRIPTION**

FIG. 1 is a perspective representational view of a first embodiment of the hand light;

FIG. 2 is a first side view of a first embodiment of the hand light;

FIG. 3 is a back side view of a first embodiment of the hand light;

FIG. 4 is a front side view of a first embodiment of the hand light;

FIG. 5 is a second side view of a first embodiment of the hand light;

FIG. 6 is a top plan view, of a first embodiment of the hand light;

FIG. 7 is a bottom plan view of a first embodiment of the hand light;

FIG. 8 is a perspective representational view of a second embodiment of the hand light, the only difference between this view and the view of FIG. 1 being the length of the upper portion, it being understood that all other surfaces are the same as those in the first embodiment;

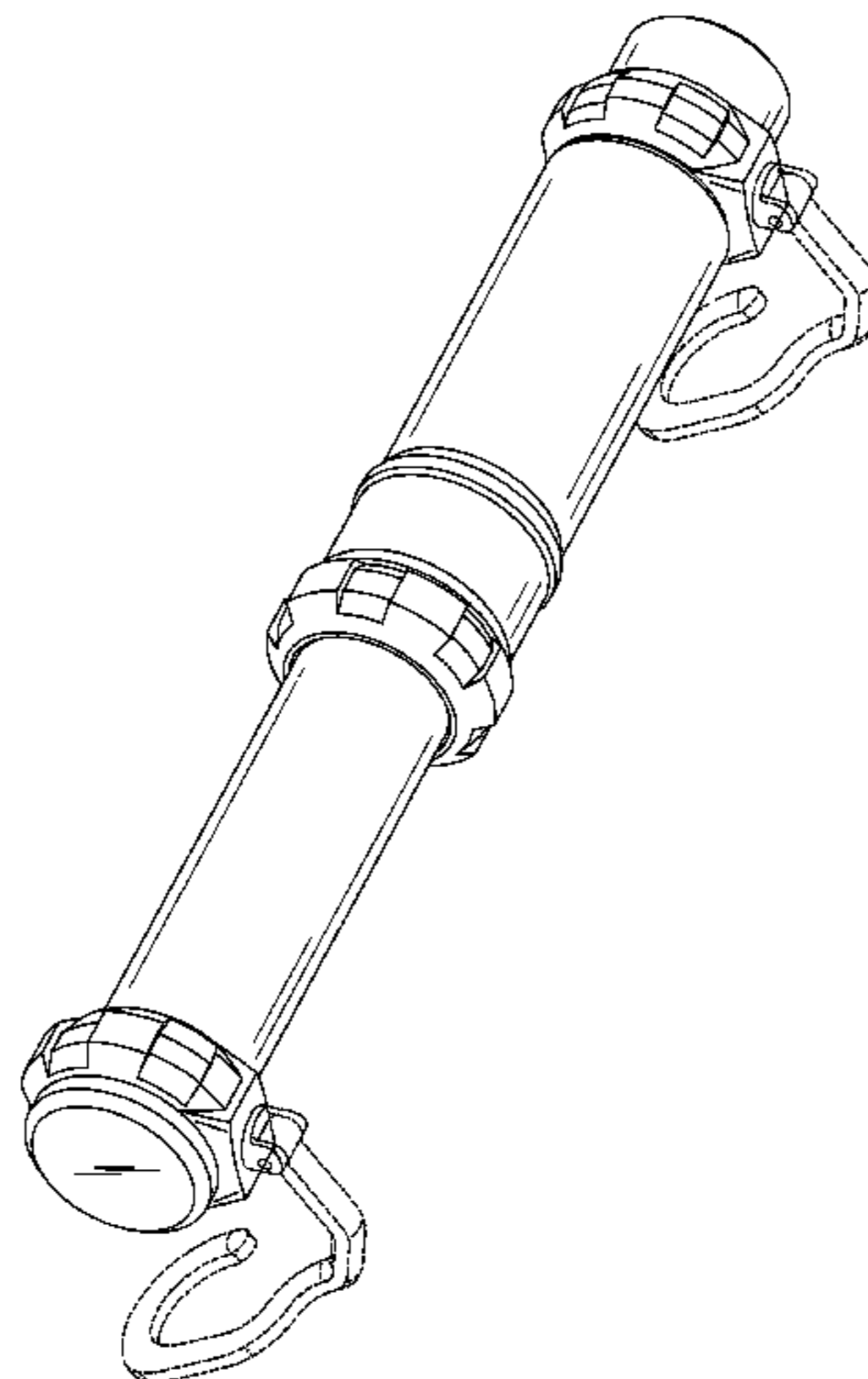
FIG. 9 is a perspective representational view of a second embodiment of the hand light, the only difference between this view and the view of FIG. 2 being the length of the upper portion, it being understood that all other surfaces are the same as those in the first embodiment;

FIG. 10 is a perspective representational view of a second embodiment of the Hand light, the only difference between this view and the view of FIG. 3 being the length of the upper portion, it being understood that all other surfaces are the same as those in the first embodiment;

FIG. 11 is a perspective representational view of a second embodiment of the hand light, the only difference between this view and the view of FIG. 4 being the length of the upper portion, it being understood that all other surfaces are the same as those in the first embodiment; and,

FIG. 12 is a perspective representational view of a second embodiment of the hand light, the only difference between this view and the view of FIG. 5 being the length of the upper portion, it being understood that all other surfaces are the same as those in the first embodiment.

**1 Claim, 7 Drawing Sheets**



# US D611,179 S

Page 2

---

## U.S. PATENT DOCUMENTS

D504,968 S *	5/2005	Bayat et al. ....	D26/42	D567,978 S *	4/2008	Jianwei .....	D26/42
D505,217 S *	5/2005	Bayat et al. ....	D26/42	D574,741 S *	8/2008	Gadsden .....	D10/114
D515,721 S *	2/2006	Lin .....	D26/44	D597,692 S *	8/2009	Jiang .....	D26/42
D538,456 S *	3/2007	Trigiani et al. ....	D26/42	D601,736 S *	10/2009	Swan .....	D26/49
D548,382 S *	8/2007	Akerberg .....	D26/42	2005/0063179 A1 *	3/2005	Niemann .....	362/184
				2006/0198132 A1 *	9/2006	Trigiani et al. ....	362/183

\* cited by examiner

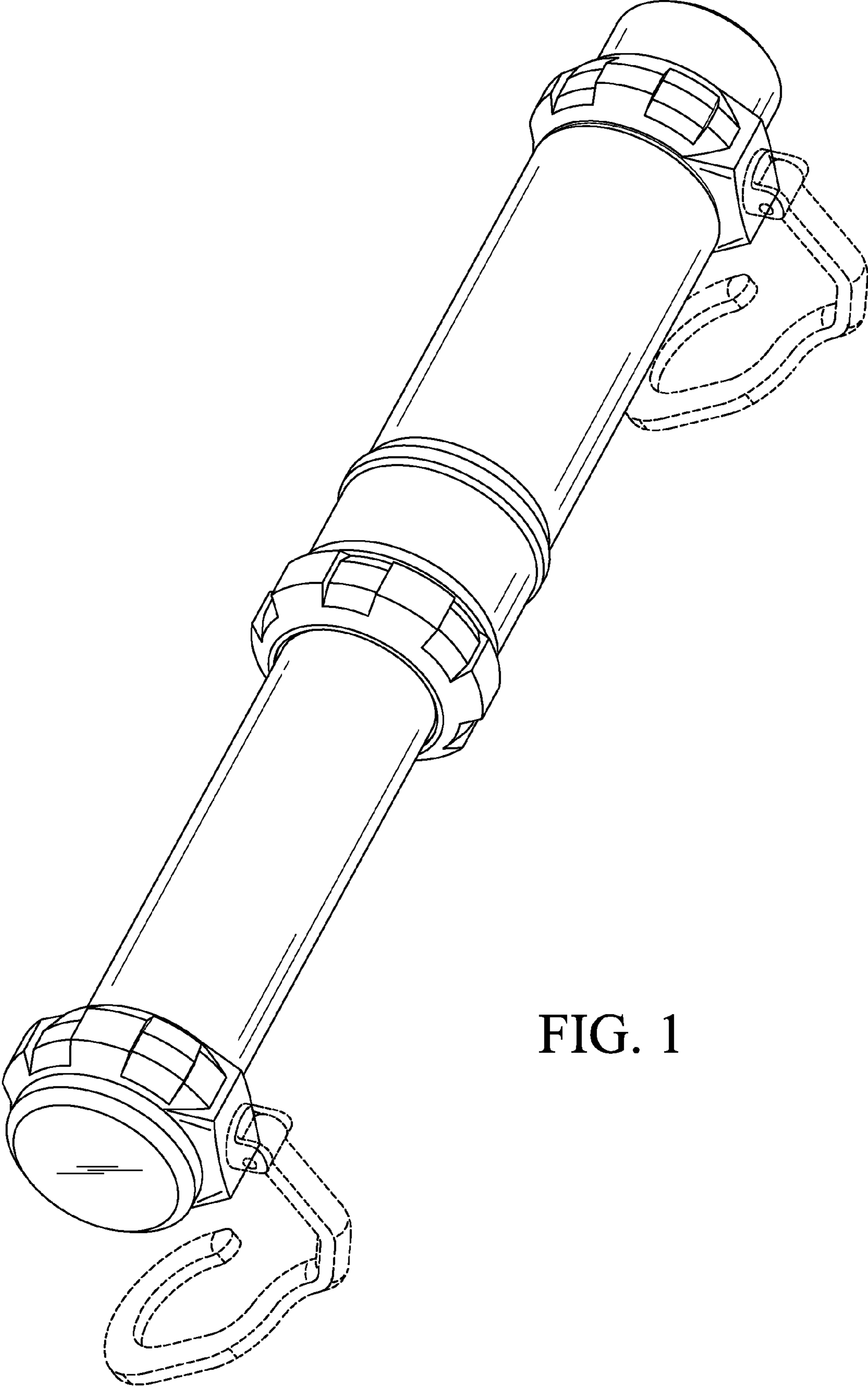


FIG. 1

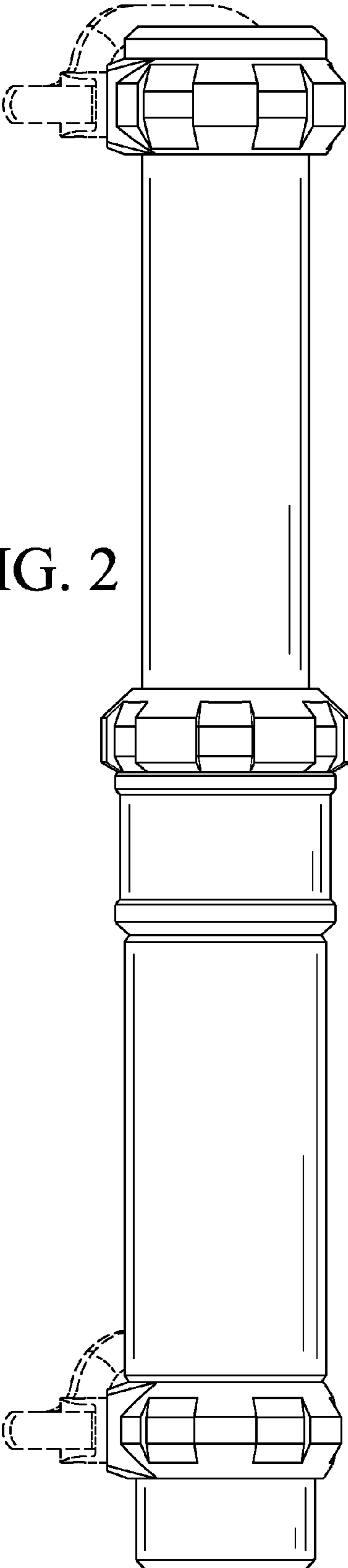


FIG. 2

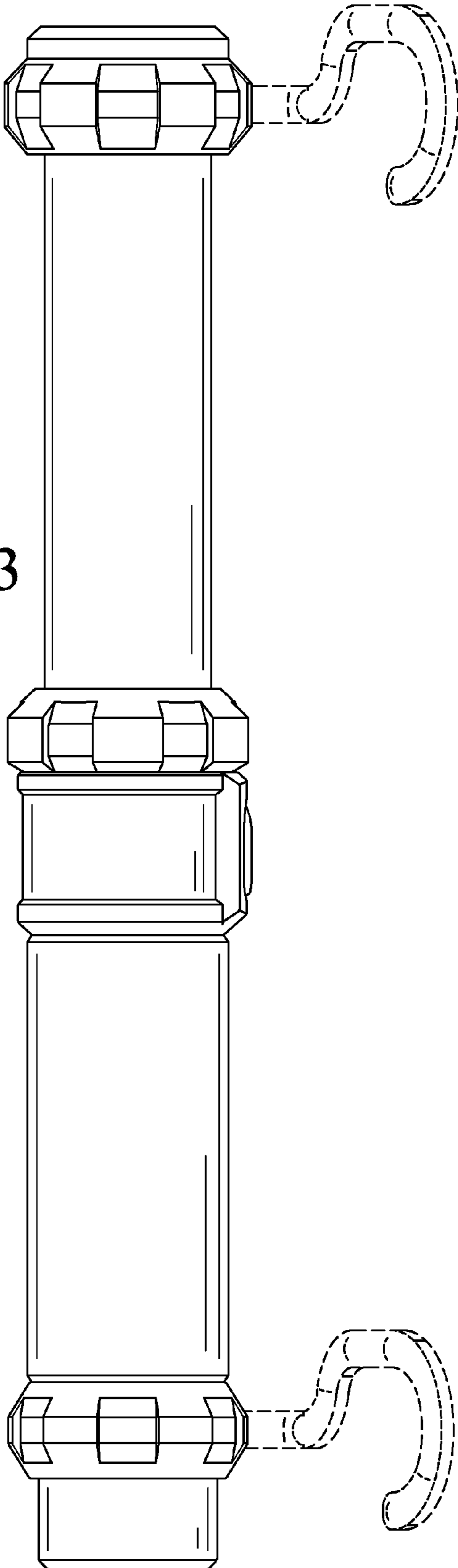


FIG. 3

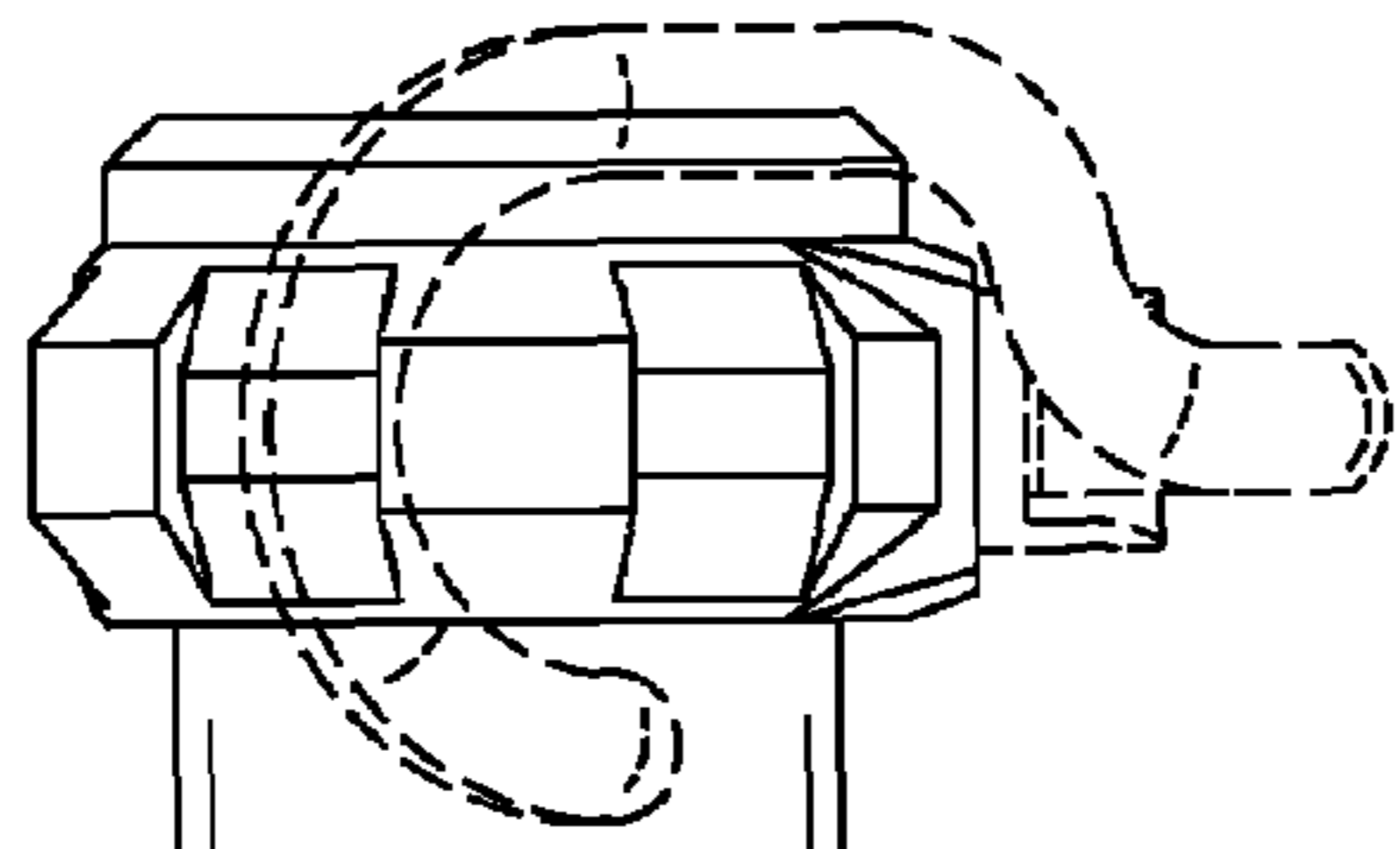


FIG. 4

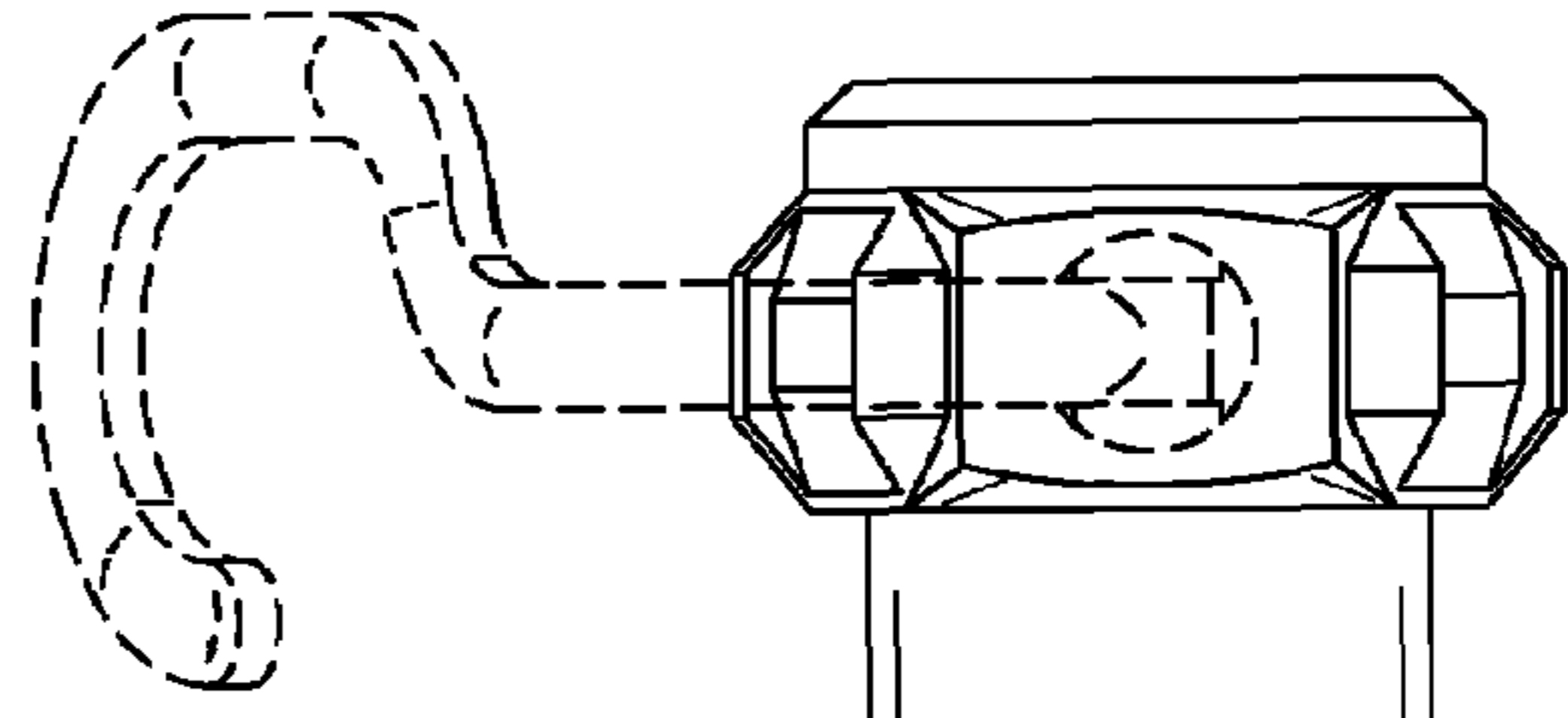
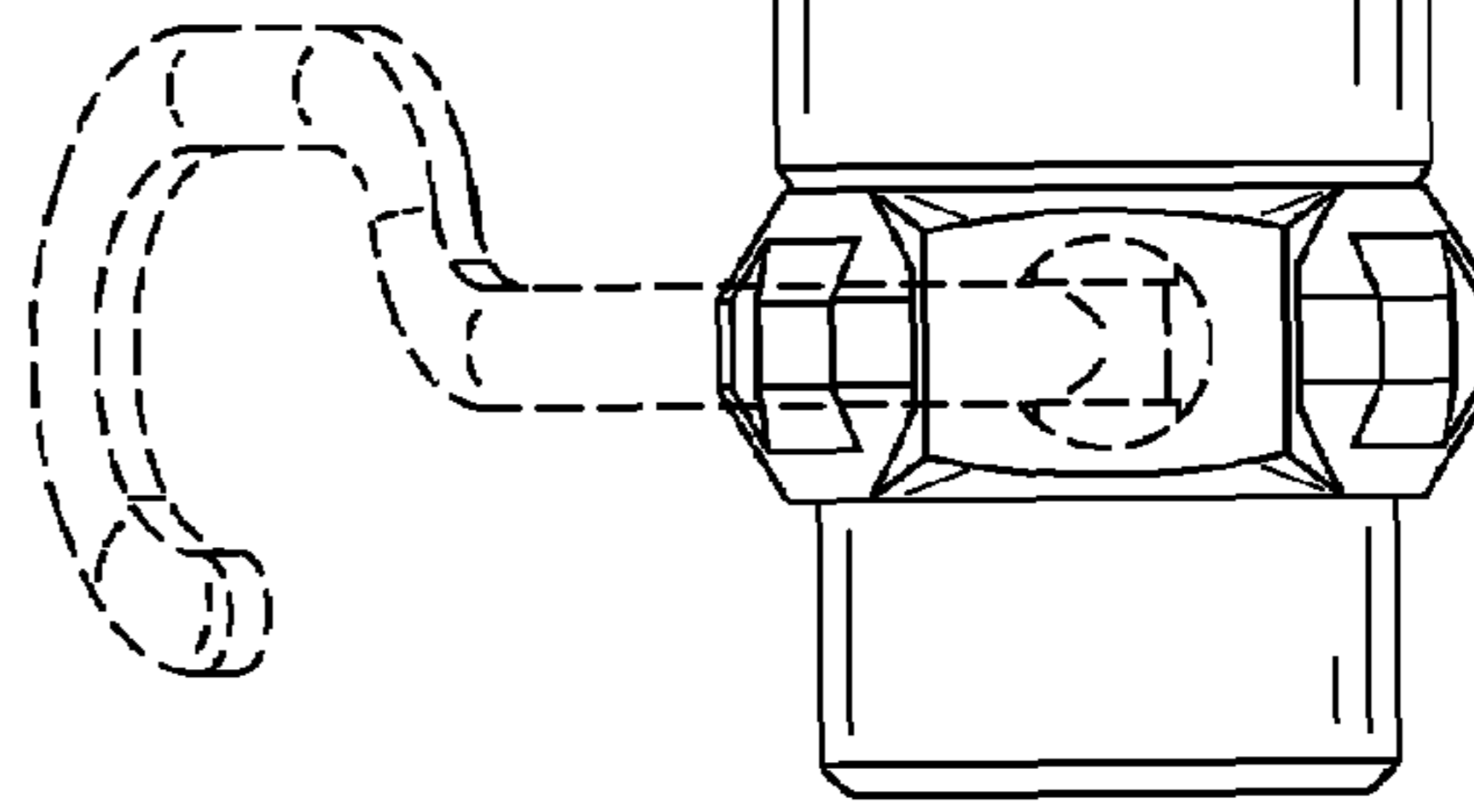
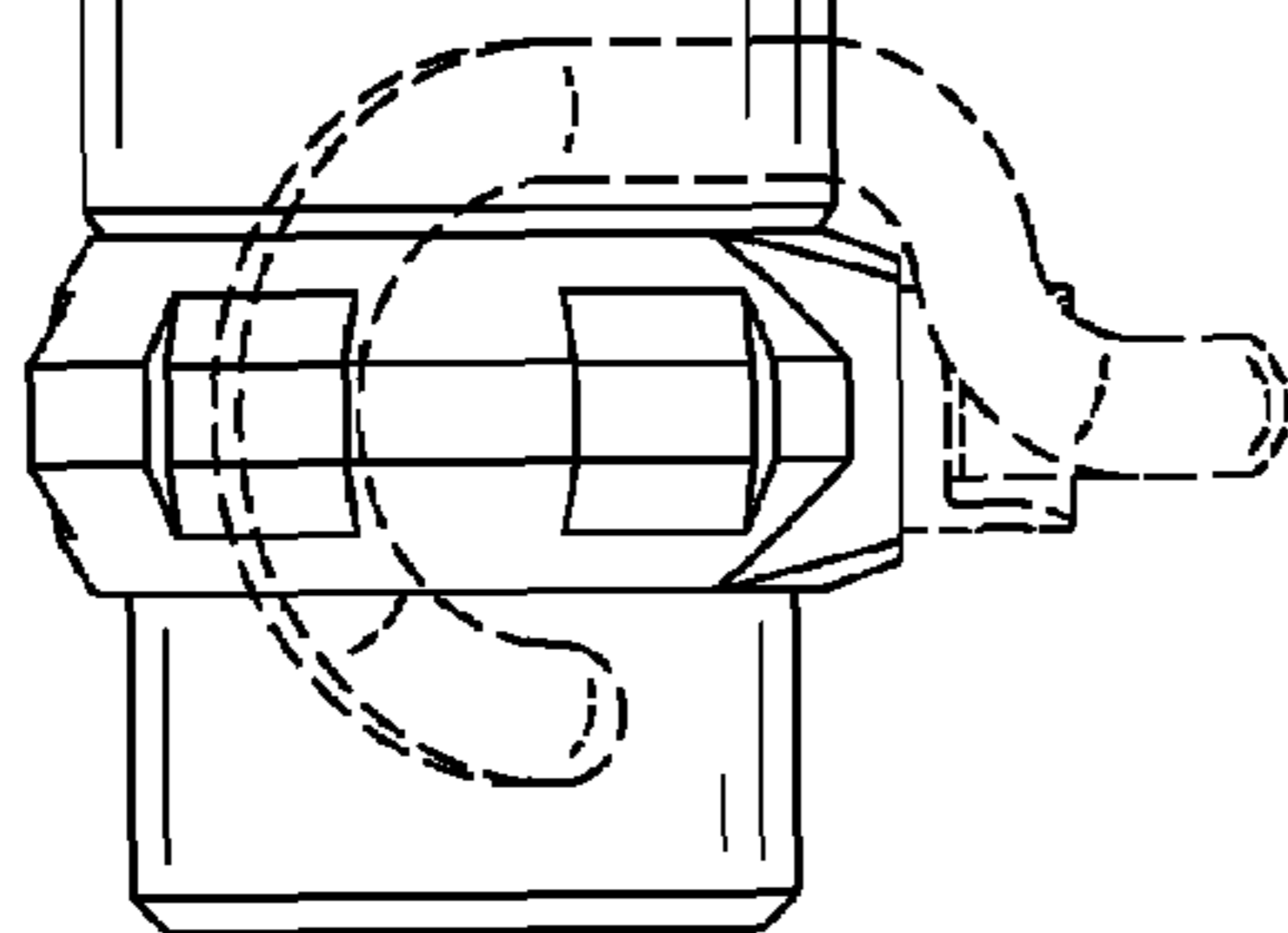
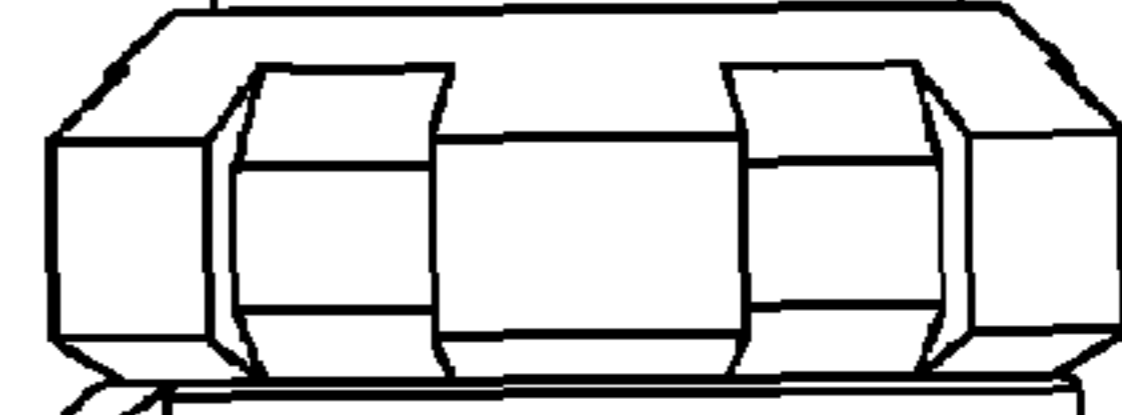
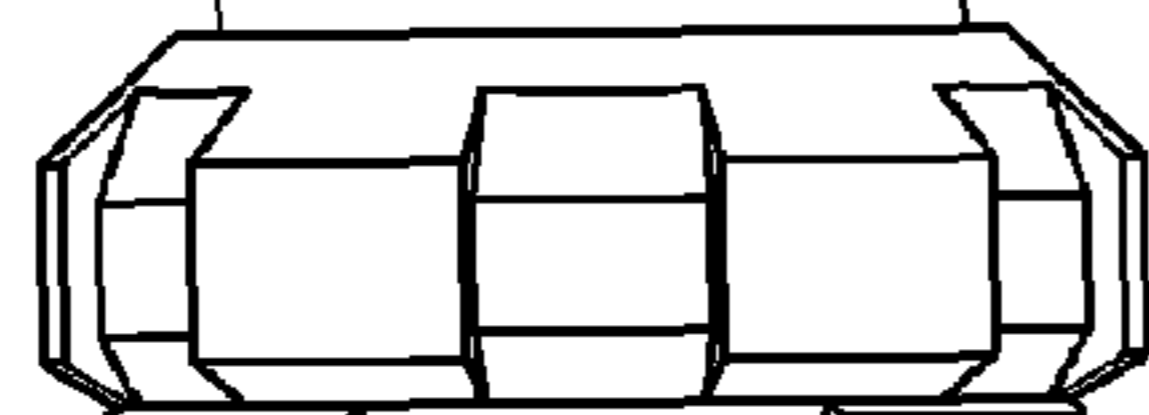


FIG. 5



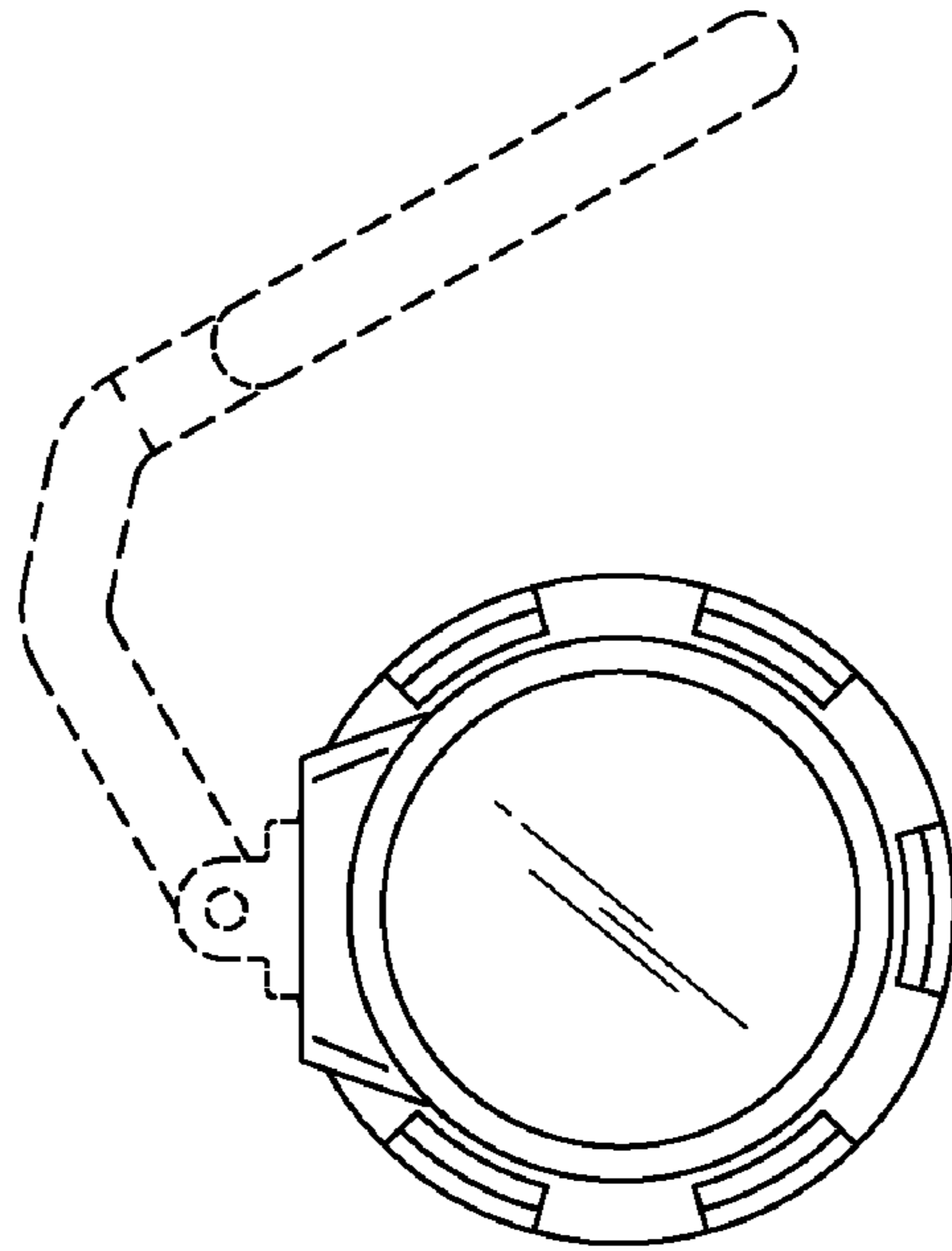


FIG. 6

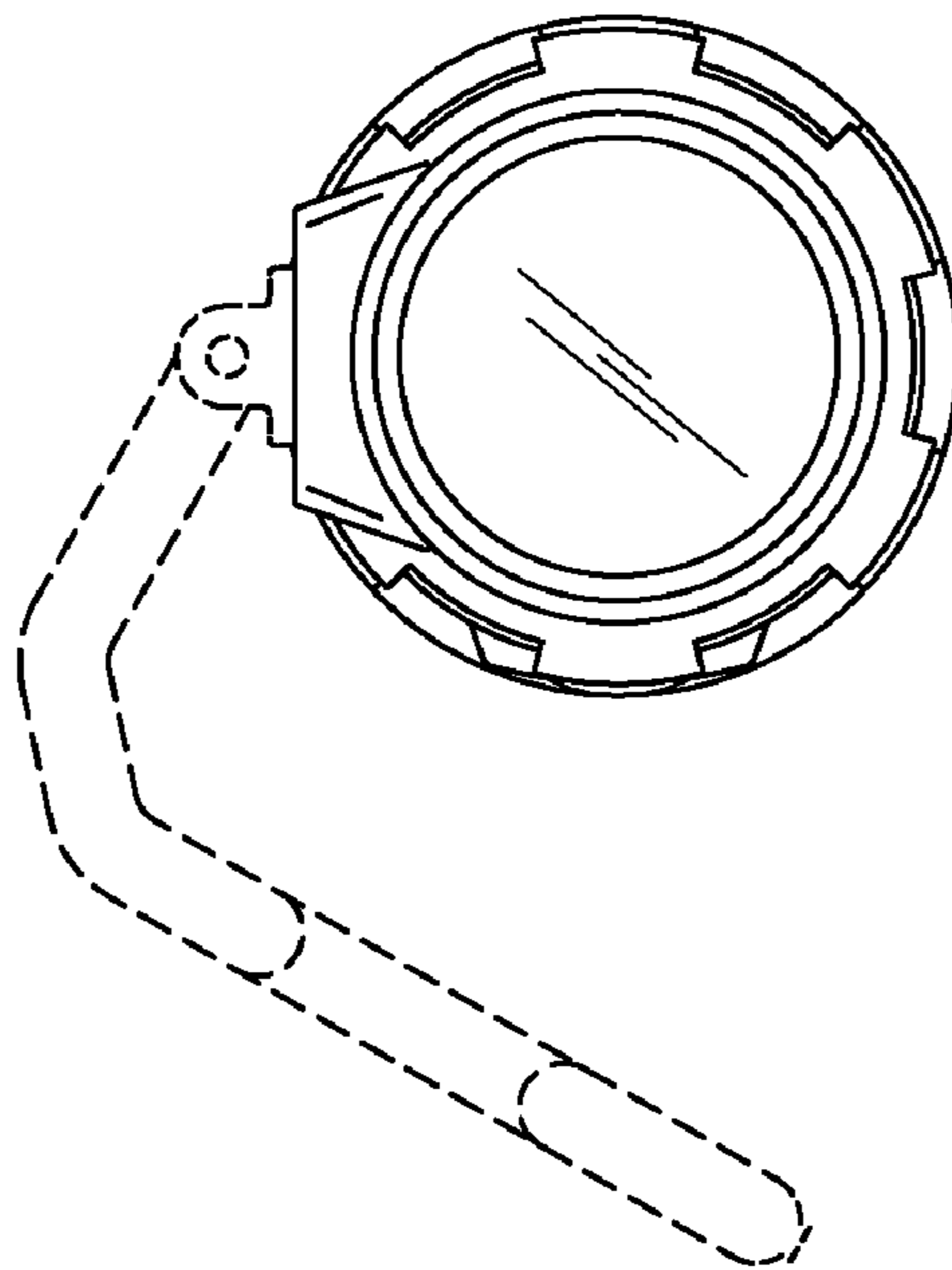


FIG. 7

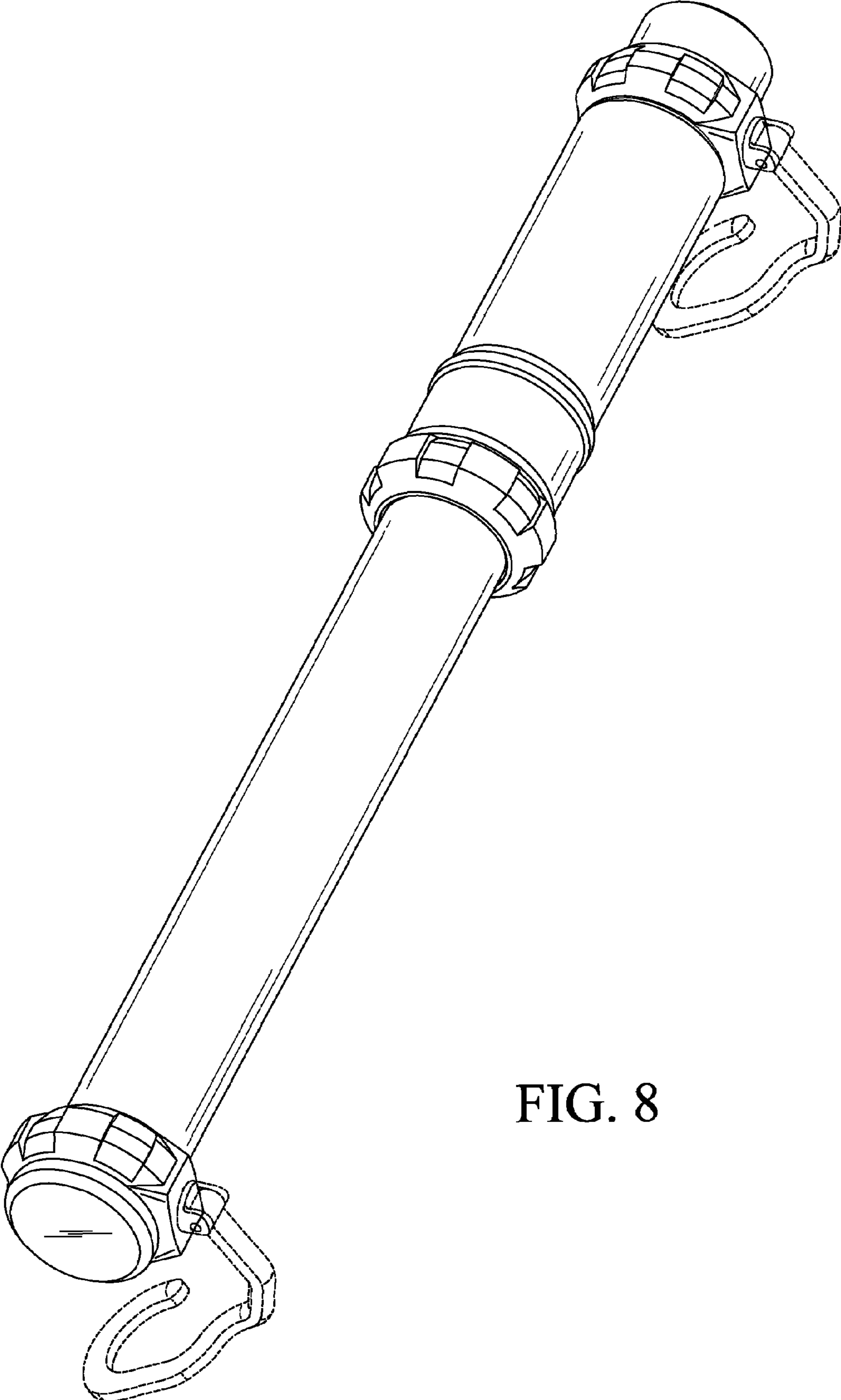


FIG. 8

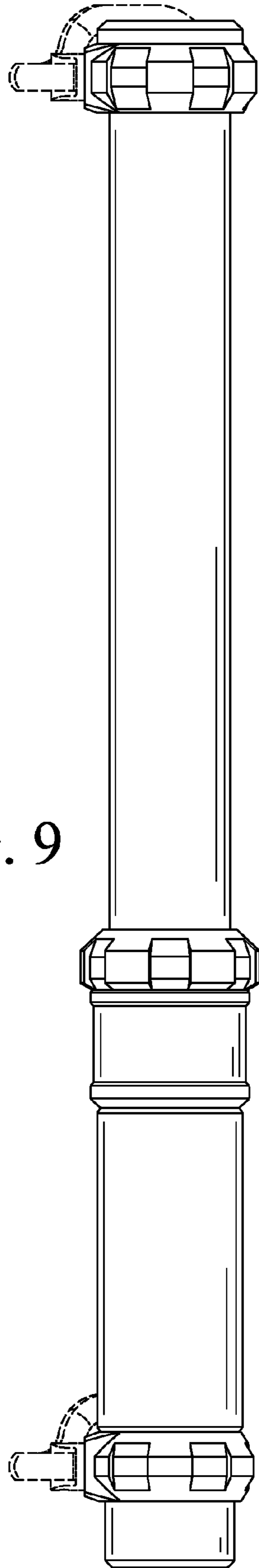


FIG. 9

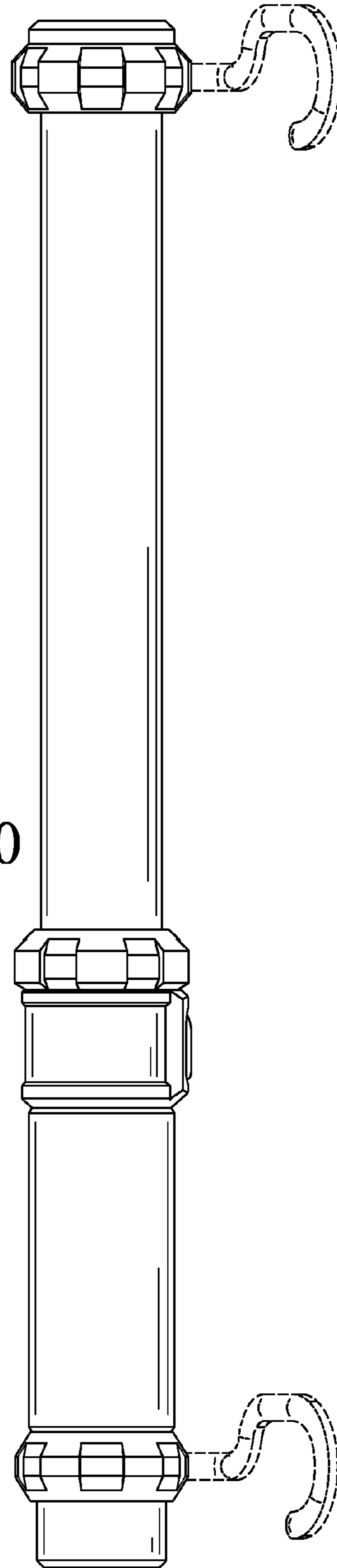


FIG. 10



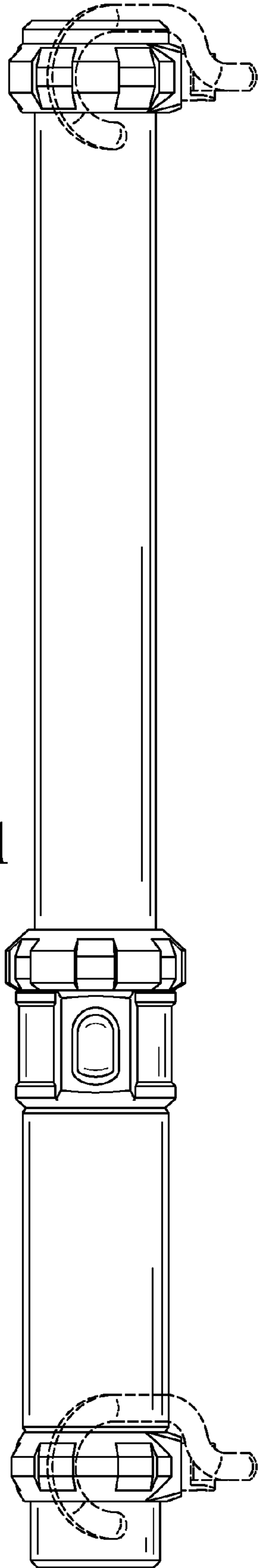


FIG. 11

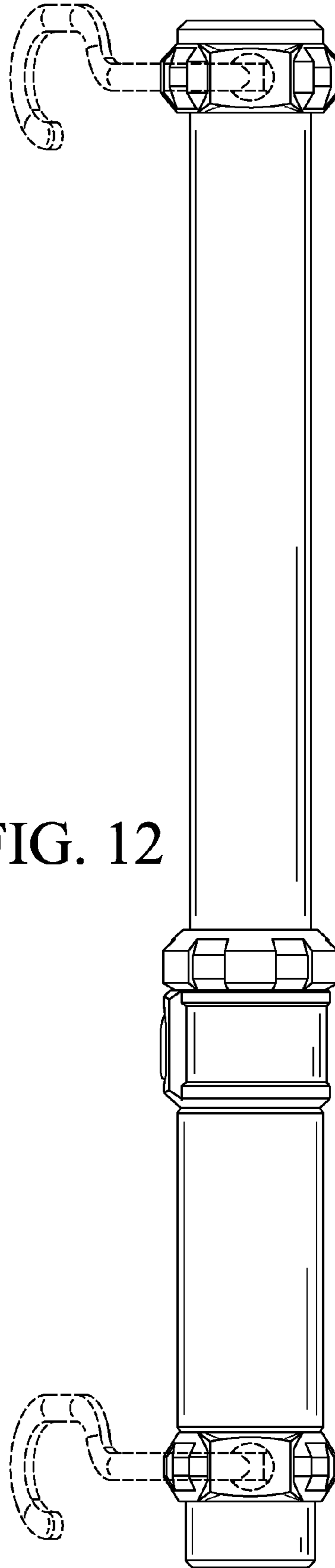


FIG. 12