



US00D611178S

(12) **United States Design Patent**
Waring

(10) **Patent No.:** **US D611,178 S**
(45) **Date of Patent:** **** Mar. 2, 2010**

(54) **RING LIGHT FIXTURE**

(76) Inventor: **Jennifer S. Waring**, MBW Motorcycle Products, Inc. 351 Liberty La., Unit 5-E, W. Kingstown, RI (US) 02892

(**) Term: **14 Years**

(21) Appl. No.: **29/310,115**

(22) Filed: **Jul. 25, 2008**

(51) **LOC (9) Cl.** **26-04**

(52) **U.S. Cl.** **D26/34**

(58) **Field of Classification Search** D26/1,
D26/24, 67, 68, 71, 72, 80, 34; 362/249.02,
362/249.03, 249.06, 294, 474; 438/28
See application file for complete search history.

(56) **References Cited**

U.S. PATENT DOCUMENTS

D167,357	S *	7/1952	Keane	D26/34
D191,074	S *	8/1961	Griparis	D26/34
4,729,070	A *	3/1988	Chiu	362/33
5,247,431	A *	9/1993	Liu	362/474
6,572,249	B2 *	6/2003	Bailey	362/473
6,663,260	B1 *	12/2003	Tieszzen	362/249.06
6,682,204	B2 *	1/2004	Mullally et al.	362/235
6,997,584	B1 *	2/2006	Rothan et al.	362/473
7,377,673	B1 *	5/2008	Hsiao	362/474
7,481,560	B1 *	1/2009	Jaw	362/474

* cited by examiner

Primary Examiner—Clare E Heflin

(74) *Attorney, Agent, or Firm*—Roger A. Gilcrest

(57) **CLAIM**

The ornamental design for a ring light fixture, as shown and described.

DESCRIPTION

FIG. 1 is an upper side perspective view of a light fixture of the present invention, with the portions of this Figure shown in phantom lines not forming a part of the claimed design;

FIG. 2 is a top plan view of a light fixture of the present invention, with the portions of this Figure shown in phantom lines not forming a part of the claimed design;

FIG. 3 is a bottom plan view of a light fixture of the present invention, with the portions of this Figure shown in phantom lines not forming a part of the claimed design;

FIG. 4 is a side elevation view of a first lateral side of the light fixture of the present invention, and of which FIG. 5 is the reverse side thereof, with the portions of this Figure shown in phantom lines not forming a part of the claimed design;

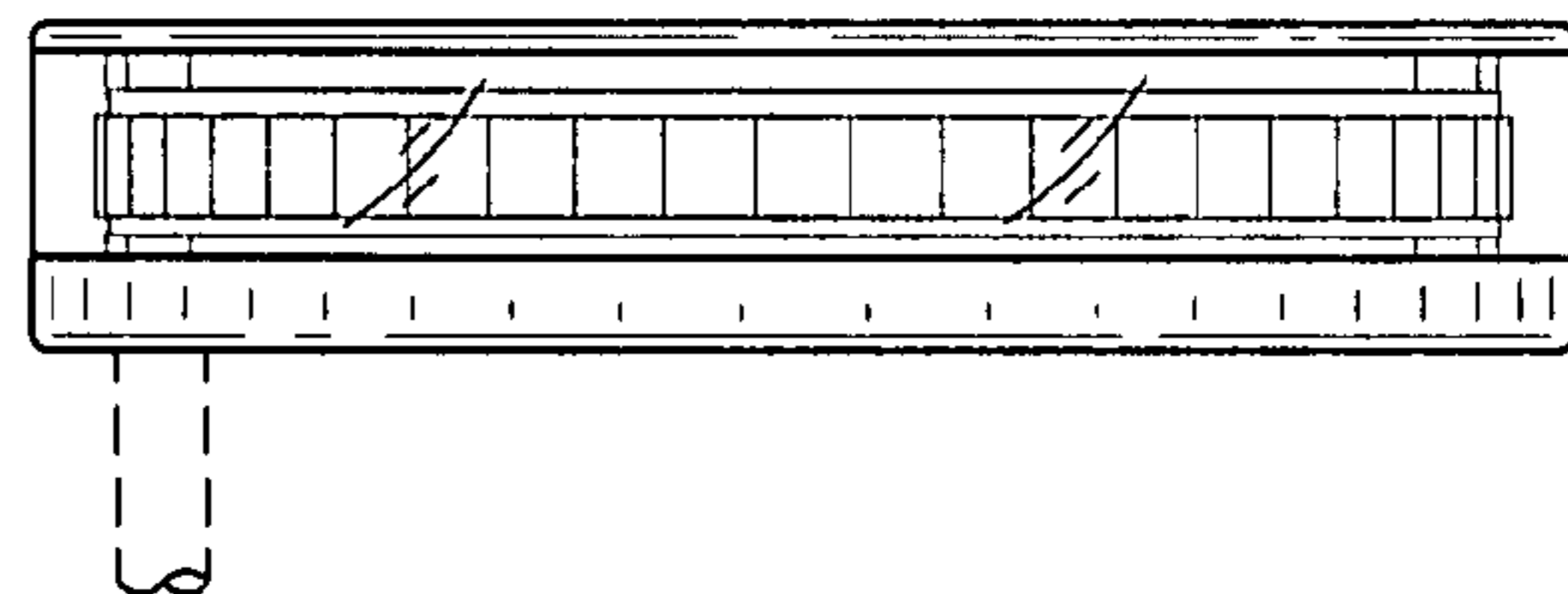
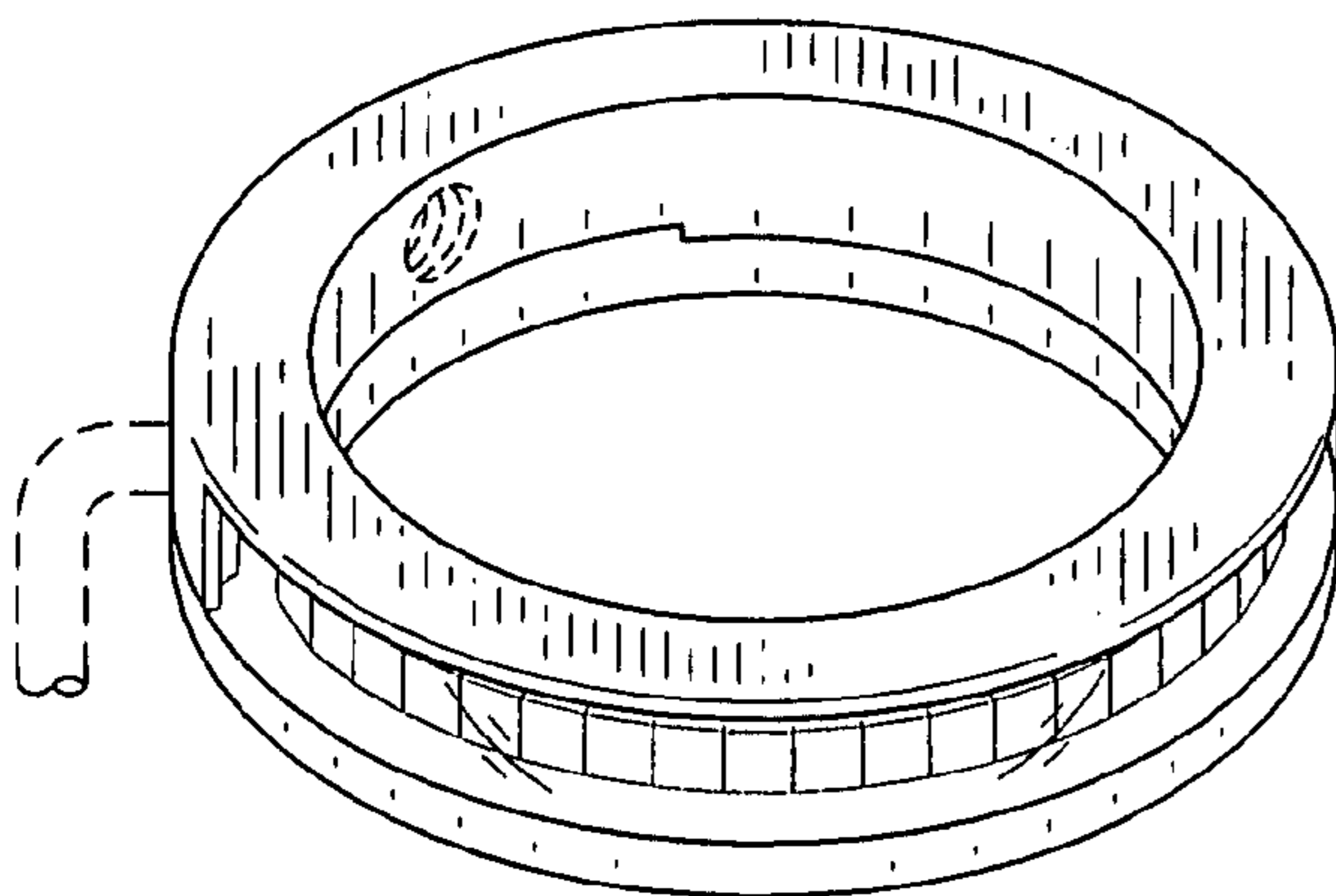
FIG. 5 is a side elevation view of a second lateral side of the light fixture of the present invention, and of which FIG. 4 is the reverse side thereof, with the portions of this Figure shown in phantom lines not forming a part of the claimed design;

FIG. 6 is a side elevation view of a third lateral side of the light fixture of the present invention, and of which FIG. 7 is the reverse side thereof, with the portions of this Figure shown in phantom lines not forming a part of the claimed design;

FIG. 7 is a side elevation view of a fourth lateral side of the light fixture of the present invention, and of which FIG. 6 is the reverse side thereof, with the portions of this Figure shown in phantom lines not forming a part of the claimed design; and,

FIG. 8 is an upper side perspective view of two of the light fixtures of the present invention with the portions of this Figure shown in phantom lines not forming a part of the claimed design, shown mounted on the front suspension fork of a motorcycle (shown in phantom), it being understood that the broken lines are for illustrative purposes only, and not forming a part of the claimed design. It is also understood that a second fixture is shown for illustrative purposes only and the claim is directed to only the single ring light fixture.

1 Claim, 3 Drawing Sheets



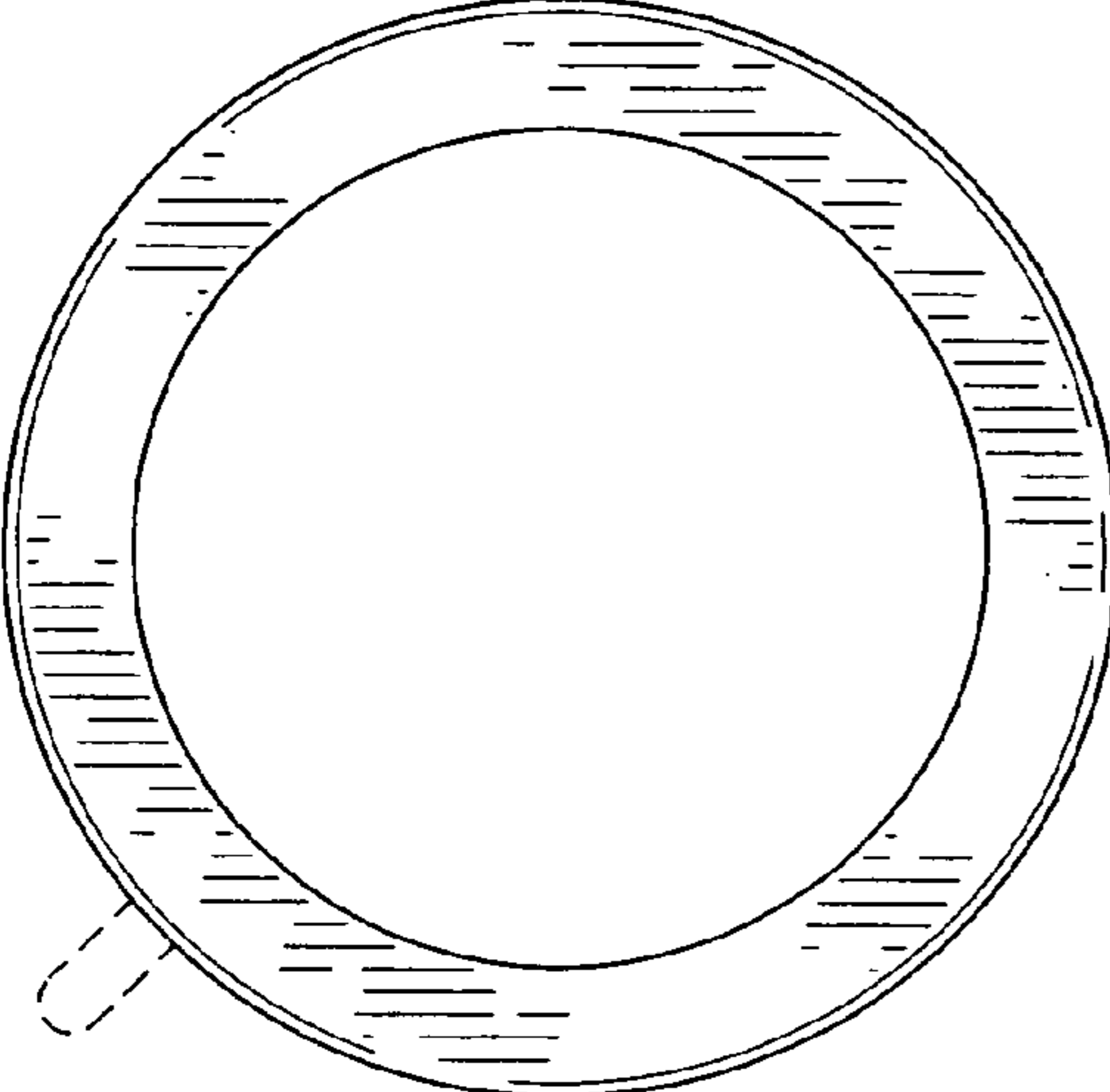


FIG-2

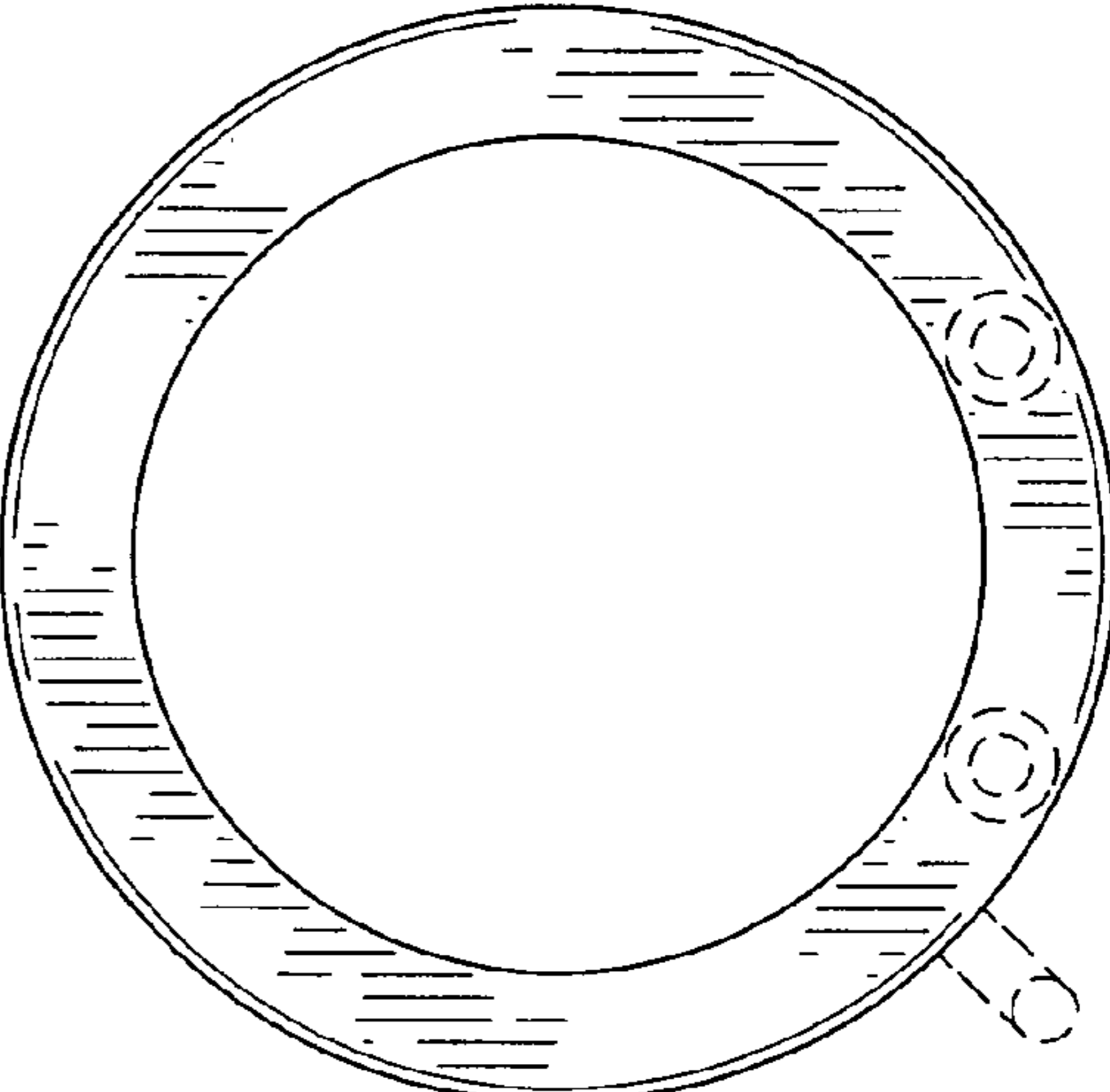


FIG-3

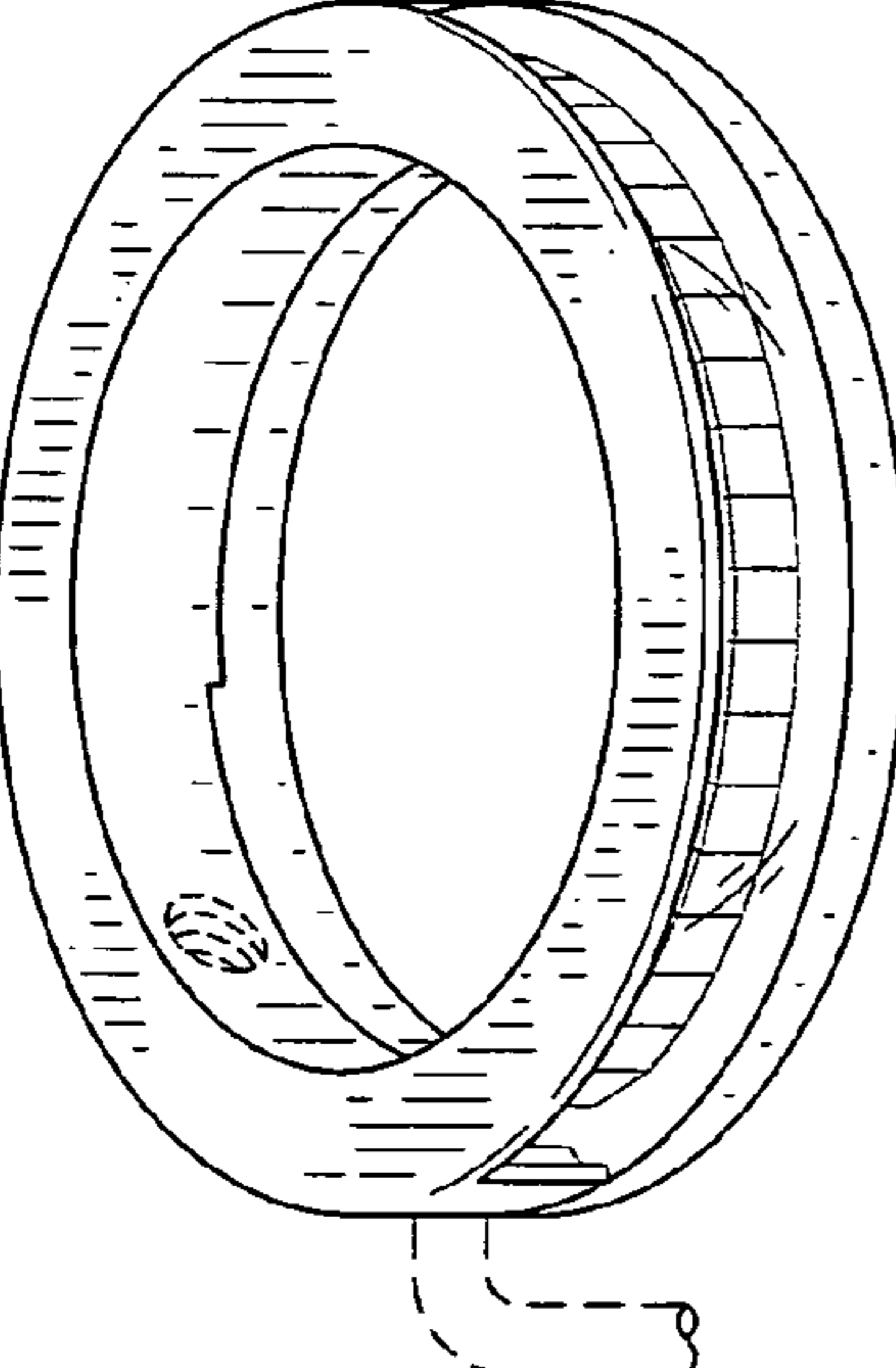


FIG-1

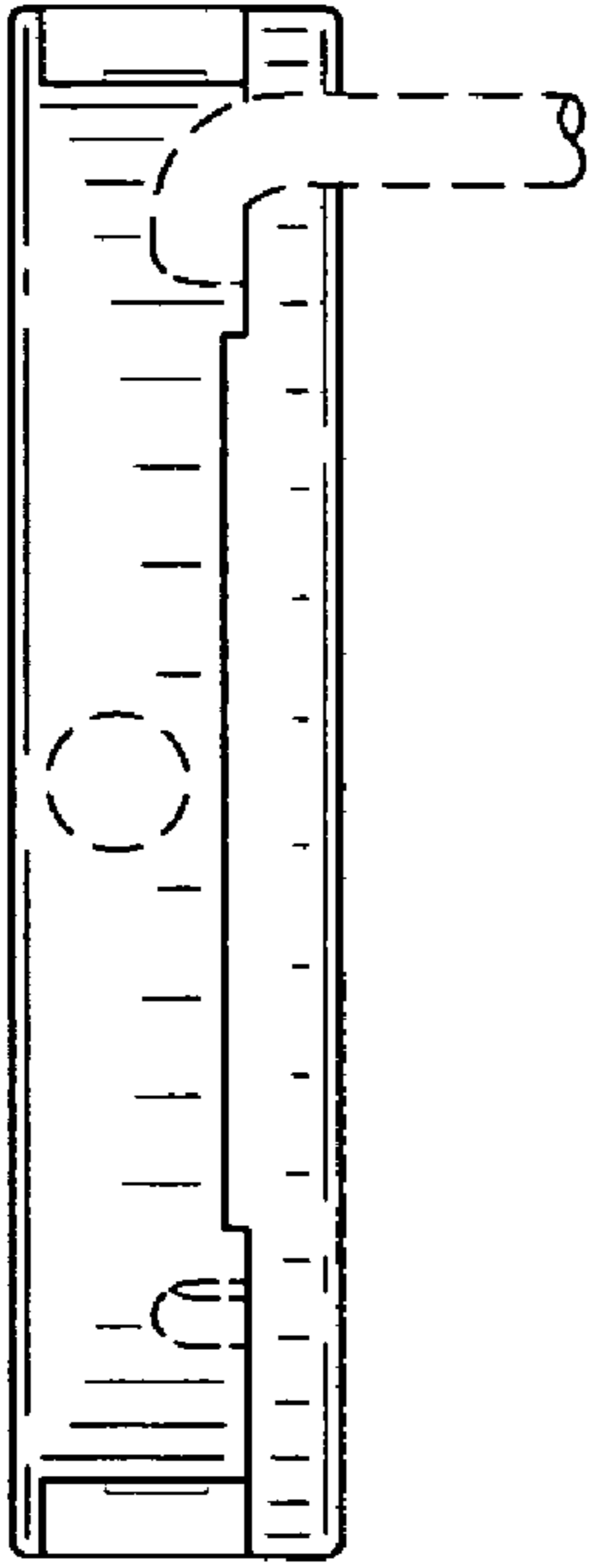


FIG-5

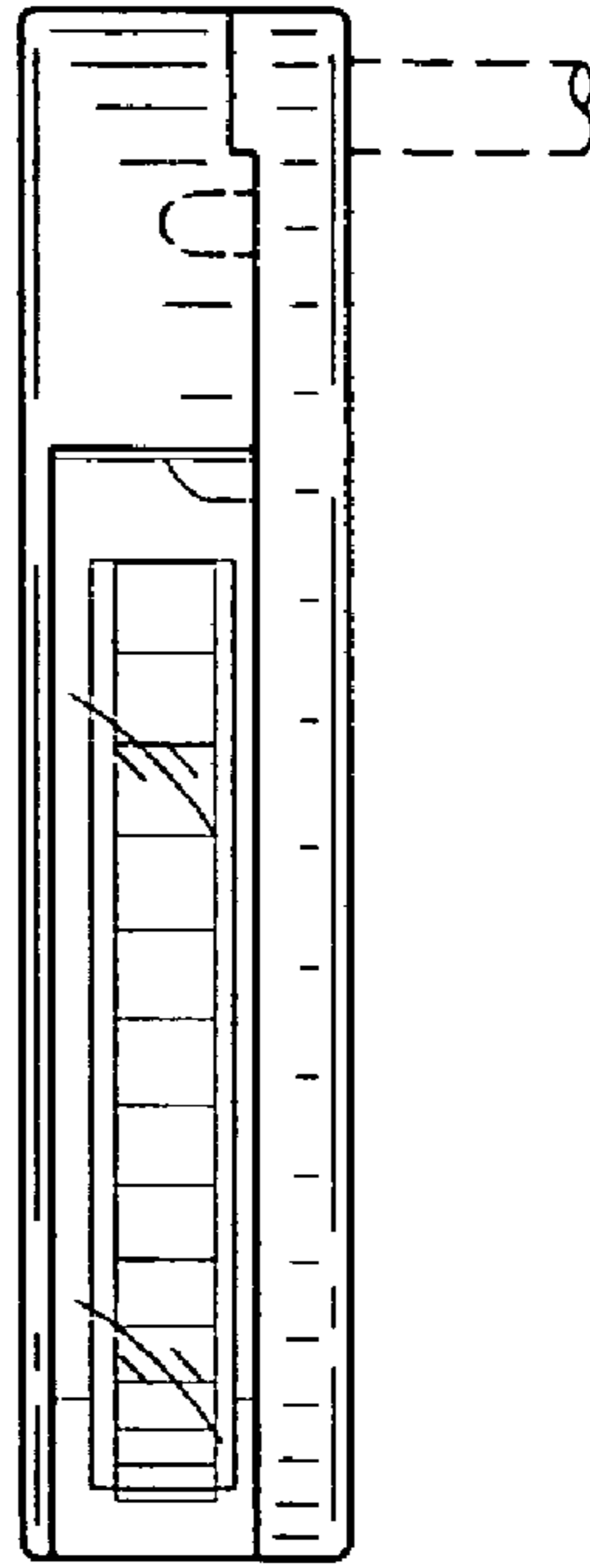


FIG-7

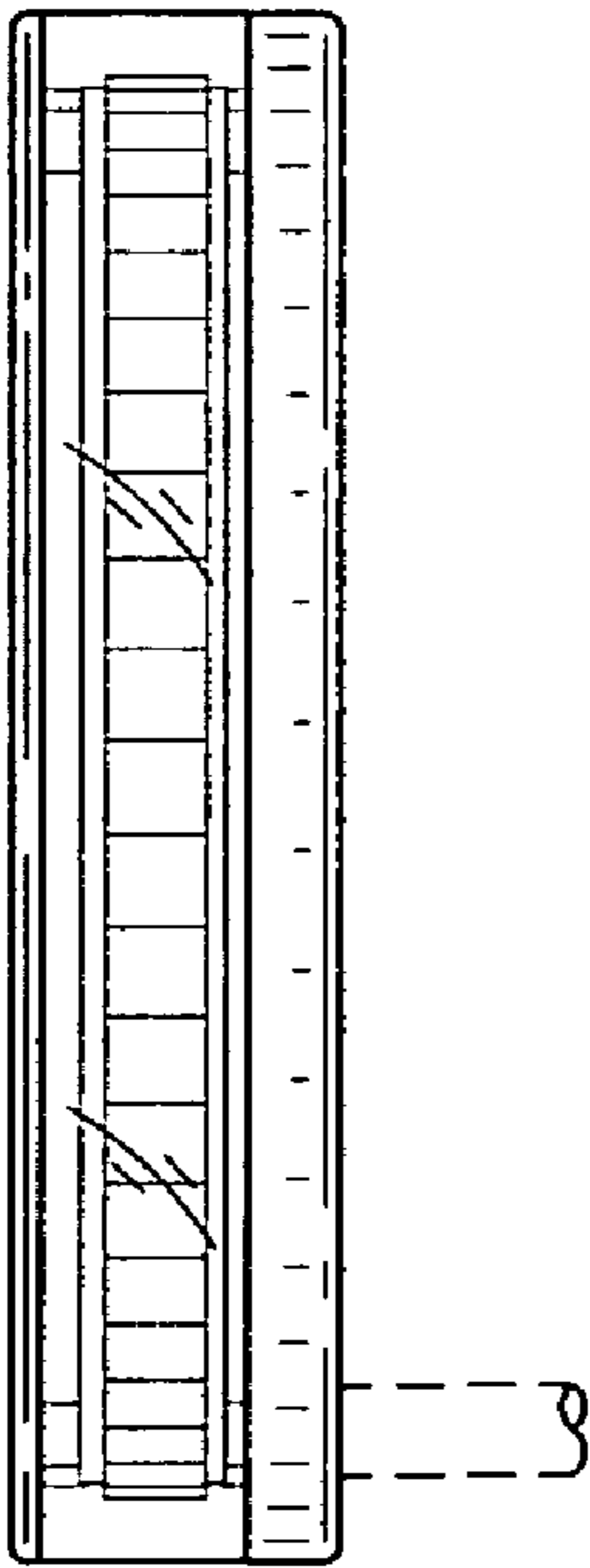


FIG-4

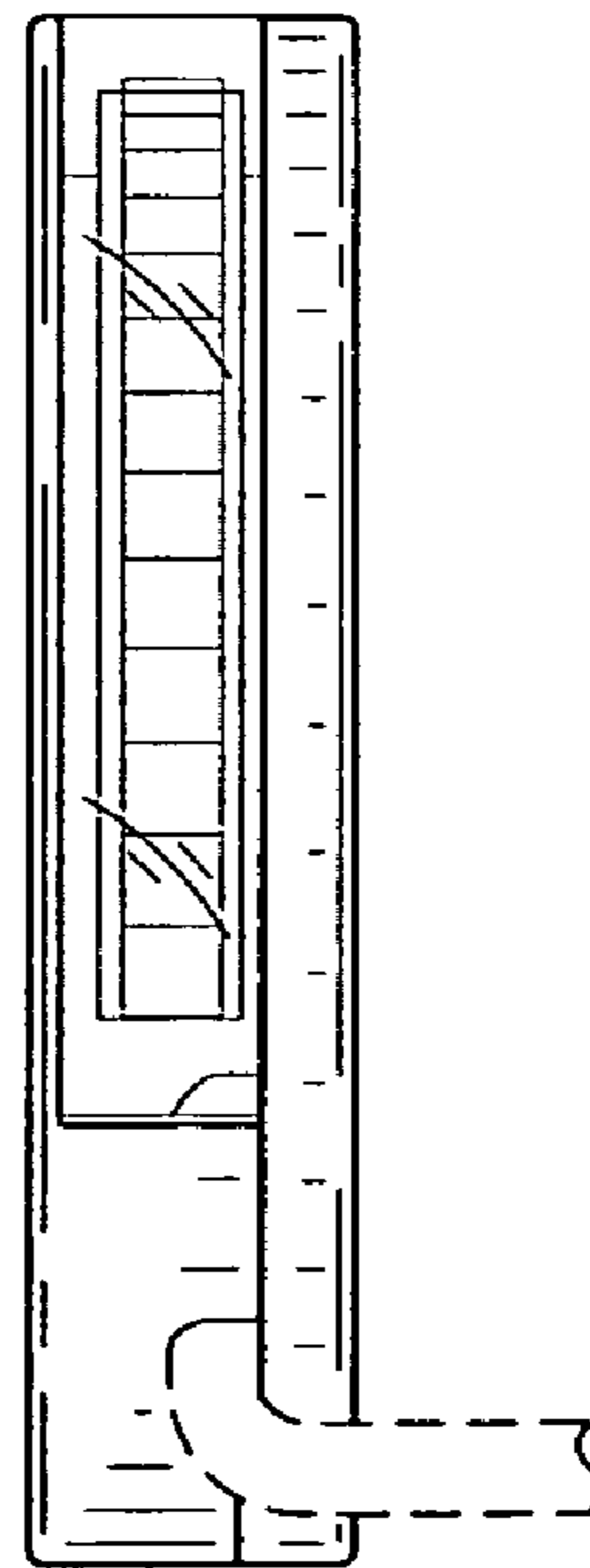


FIG-6

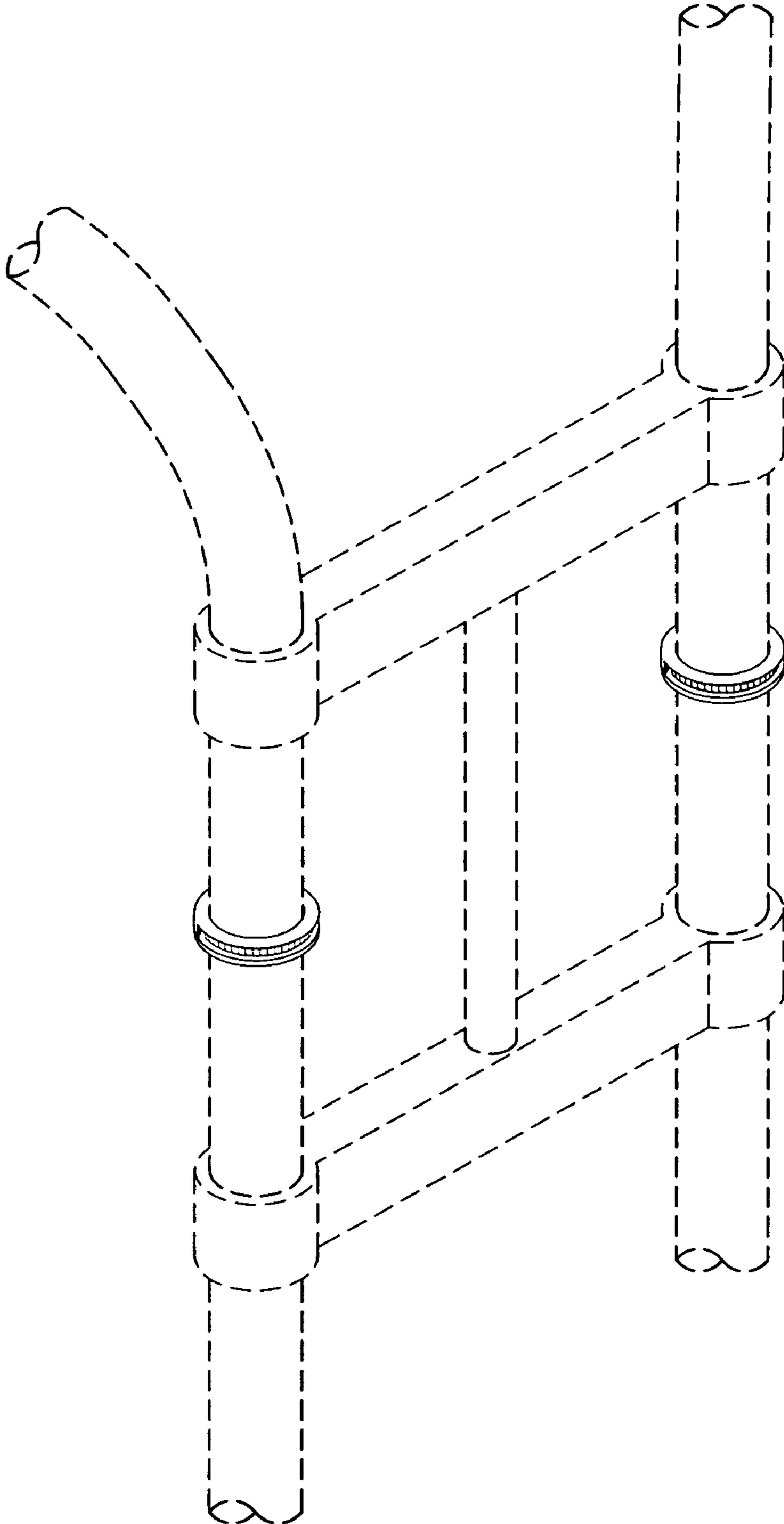


FIG-8