



US00D611177S

(12) **United States Design Patent**  
**Waring**

(10) **Patent No.:** **US D611,177 S**  
(45) **Date of Patent:** **\*\* Mar. 2, 2010**

(54) **RING LIGHT FIXTURE AND TUBULAR MOUNT COMBINATION**

(76) Inventor: **Jennifer S. Waring**, MBW Motorcycle Products, Inc. 351 Liberty La., Unit 5-E, W. Kingston, RI (US) 02892

(\*\*) Term: **14 Years**

(21) Appl. No.: **29/310,113**

(22) Filed: **Jul. 25, 2008**

(51) **LOC (9) Cl.** ..... **26-04**  
(52) **U.S. Cl.** ..... **D26/34**  
(58) **Field of Classification Search** ..... D26/1, D26/24, 67, 68, 71, 72, 80, 34; 362/249.02, 362/249.03, 249.06, 294, 474; 438/28  
See application file for complete search history.

(56) **References Cited**

**U.S. PATENT DOCUMENTS**

D167,357 S \* 7/1952 Keane ..... D26/34  
D191,074 S \* 8/1961 Griparis ..... D26/34

(Continued)

*Primary Examiner*—Clare E Heflin  
(74) *Attorney, Agent, or Firm*—Roger A. Gilcrest

(57) **CLAIM**

The ornamental design for a ring light fixture and tubular mount combination, as shown and described.

**DESCRIPTION**

FIG. 1 is an upper side perspective view of a light fixture and tubular mount of the present invention, with the portions of this Figure shown in phantom lines not forming a part of the claimed design;

FIG. 2 is a top plan view of a light fixture and tubular mount of the present invention, with the portions of this Figure shown in phantom lines not forming a part of the claimed design;

FIG. 3 is a bottom plan view of a light fixture and tubular mount of the present invention, with the portions of this Figure shown in phantom lines not forming a part of the claimed design;

FIG. 4 is a side elevation view of a first lateral side of the light fixture and tubular mount of the present invention, and of which FIG. 5 is the reverse side thereof, with the portions of this Figure shown in phantom lines not forming a part of the claimed design;

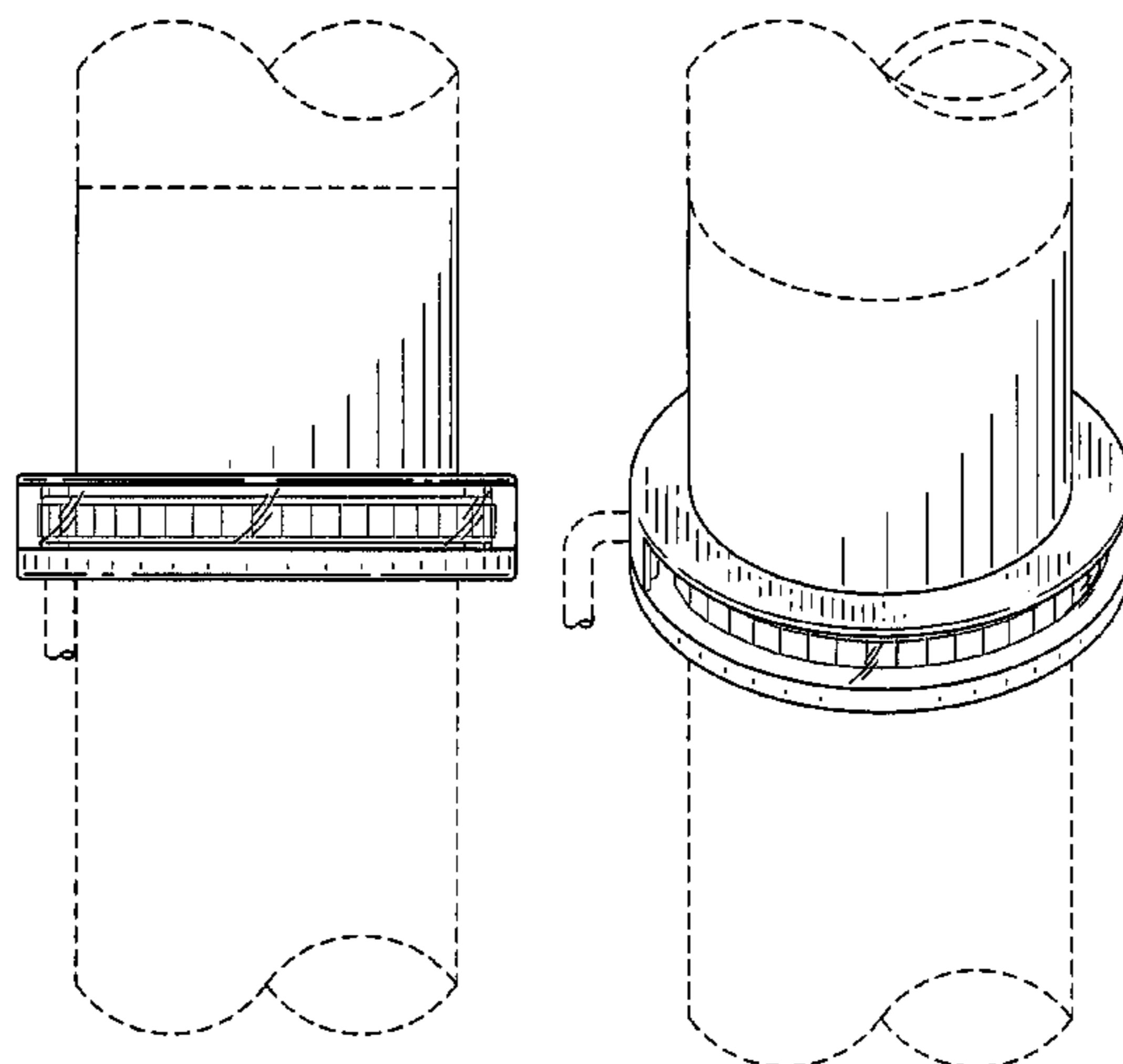
FIG. 5 is a side elevation view of a second lateral side of the light fixture and tubular mount of the present invention, and of which FIG. 4 is the reverse side thereof, with the portions of this Figure shown in phantom lines not forming a part of the claimed design;

FIG. 6 is a side elevation view of a third lateral side of the light fixture and tubular mount of the present invention, and of which FIG. 7 is the reverse side thereof, with the portions of this Figure shown in phantom lines not forming a part of the claimed design;

FIG. 7 is a side elevation view of a fourth lateral side of the light fixture and tubular mount of the present invention, and of which FIG. 6 is the reverse side thereof, with the portions of this Figure shown in phantom lines not forming a part of the claimed design; and,

FIG. 8 is an upper side perspective view of two of the light fixtures and tubular mounts of the present invention, in two orientations, with the portions of this Figure shown in phantom lines not forming a part of the claimed design, shown as part of the front suspension fork of a motorcycle (shown in phantom), it being understood that the broken lines are for illustrative purposes only, and not forming a part of the claimed design. It is also understood that a second fixture is shown for illustrative purposes only and the claim is directed to only the single ring light fixture and tubular mount combination.

**1 Claim, 4 Drawing Sheets**



# US D611,177 S

Page 2

---

U.S. PATENT DOCUMENTS			
4,729,070	A *	3/1988	Chiu ..... 362/33
5,247,431	A *	9/1993	Liu ..... 362/474
6,572,249	B2 *	6/2003	Bailey ..... 362/473
6,663,260	B1 *	12/2003	Tieszen ..... 362/249.06
6,682,204	B2 *	1/2004	Mullally et al. .... 362/235
6,997,584	B1 *	2/2006	Rothan et al. .... 362/473
7,377,673	B1 *	5/2008	Hsiao ..... 362/474
7,481,560	B1 *	1/2009	Jaw ..... 362/474

\* cited by examiner

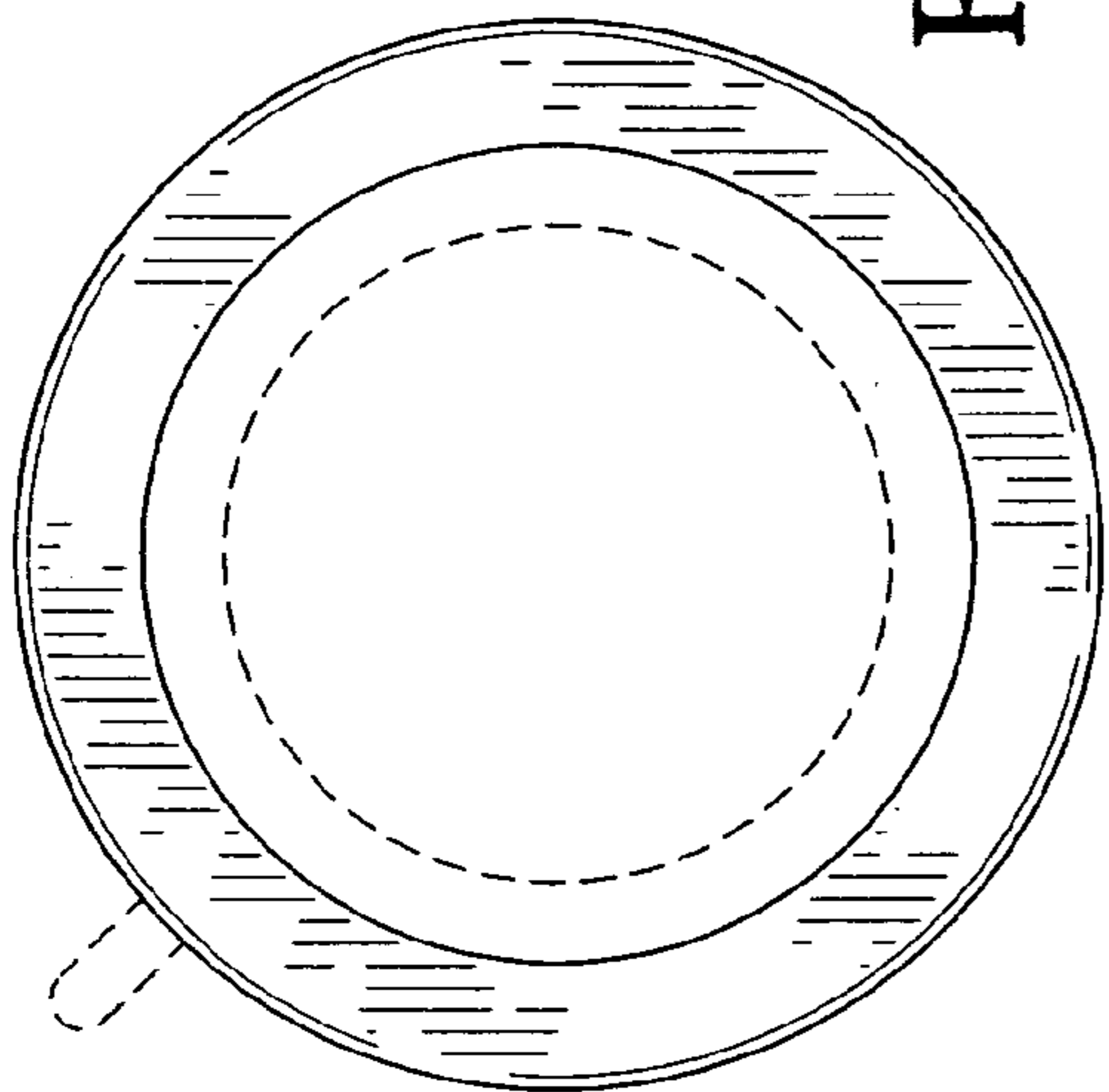


FIG-2

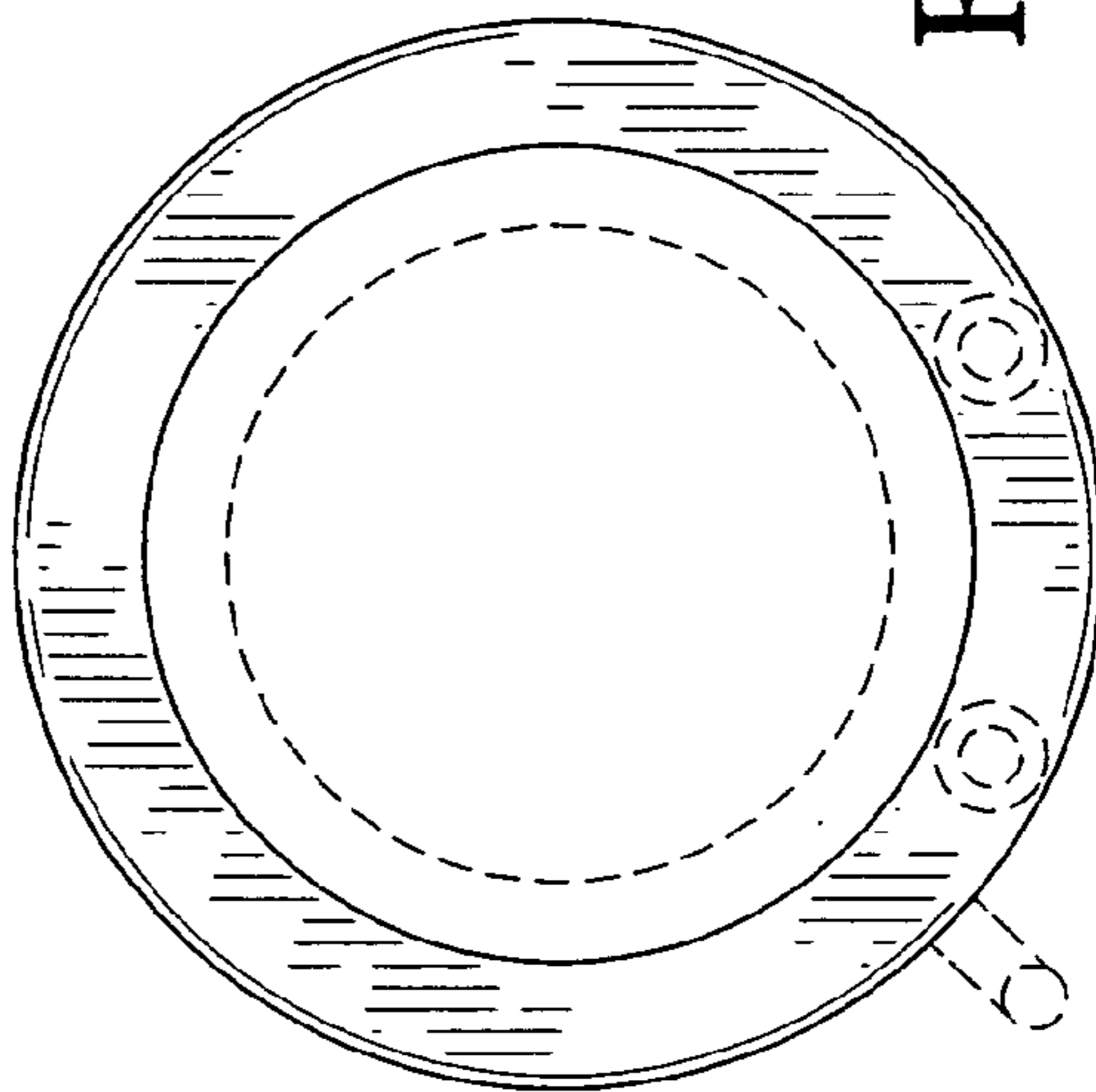


FIG-3

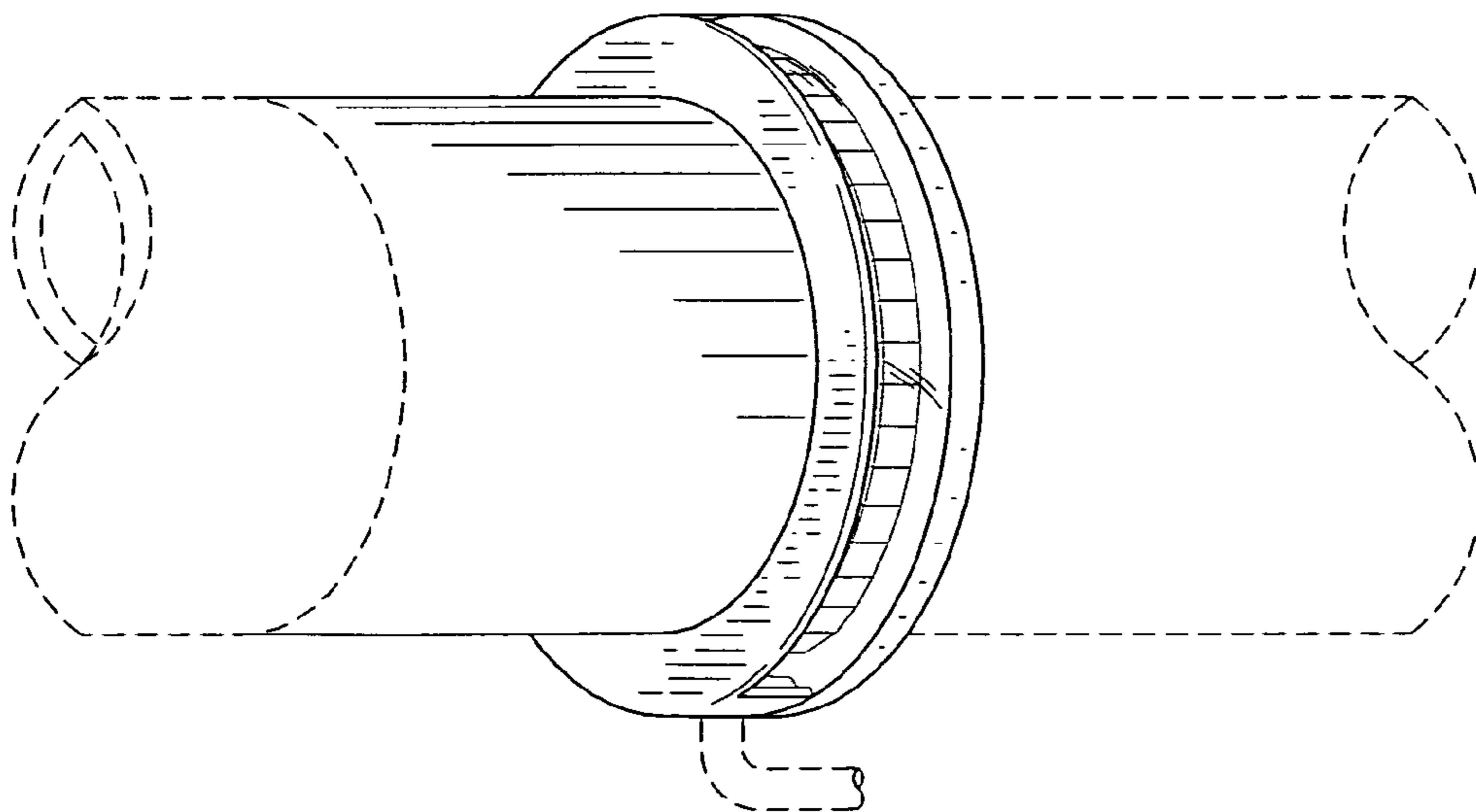


FIG-1

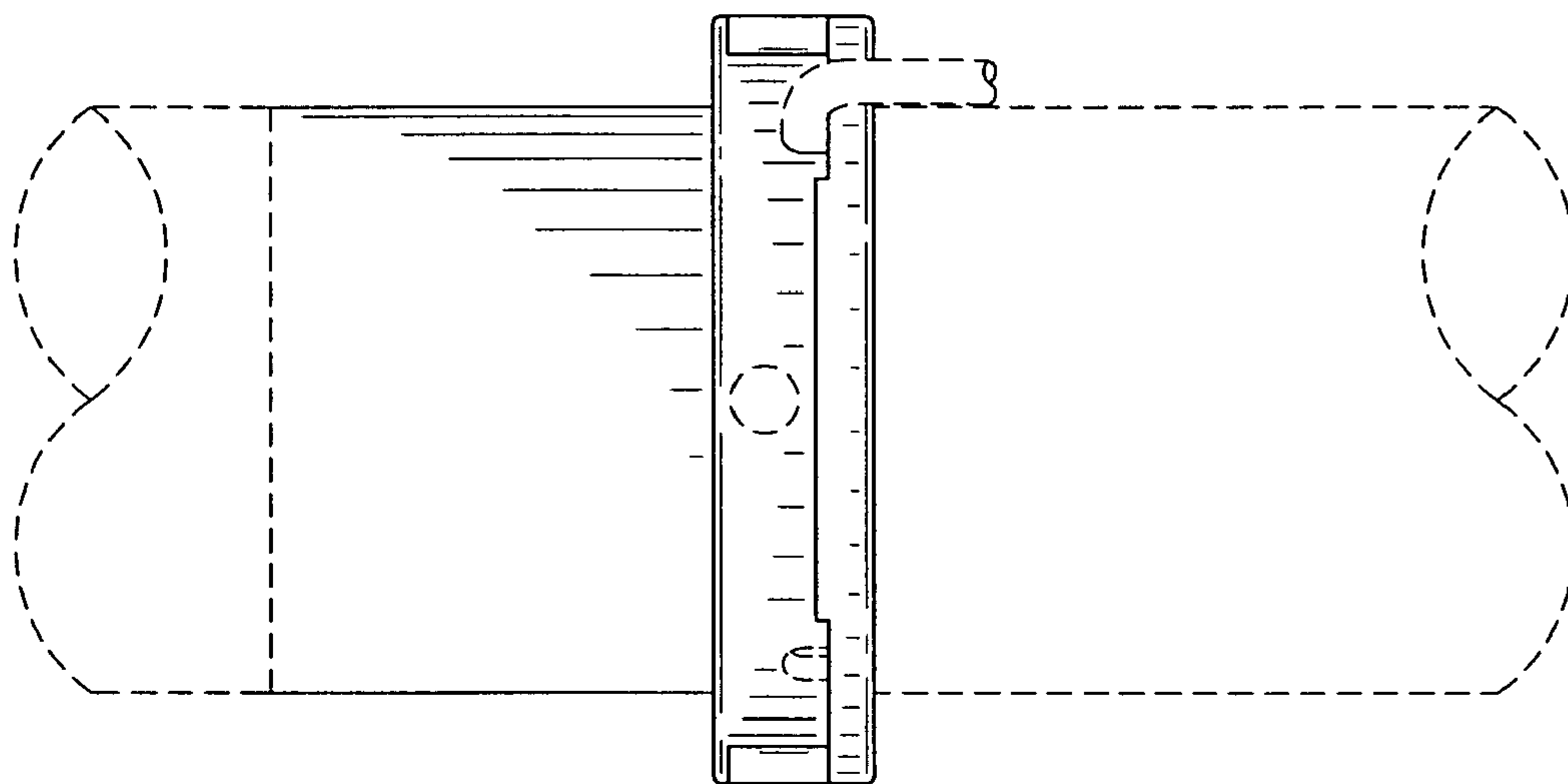


FIG-5

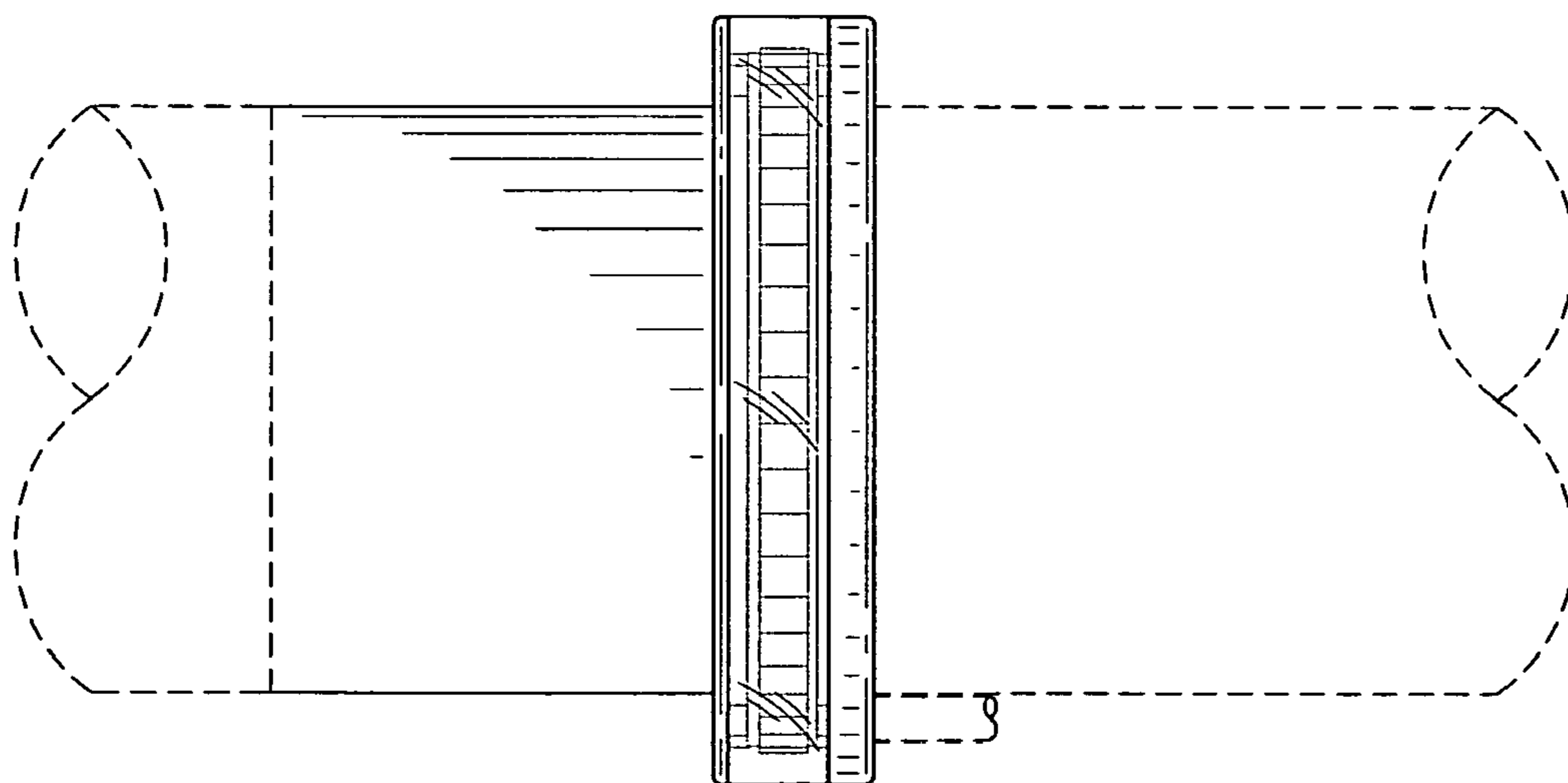


FIG-4

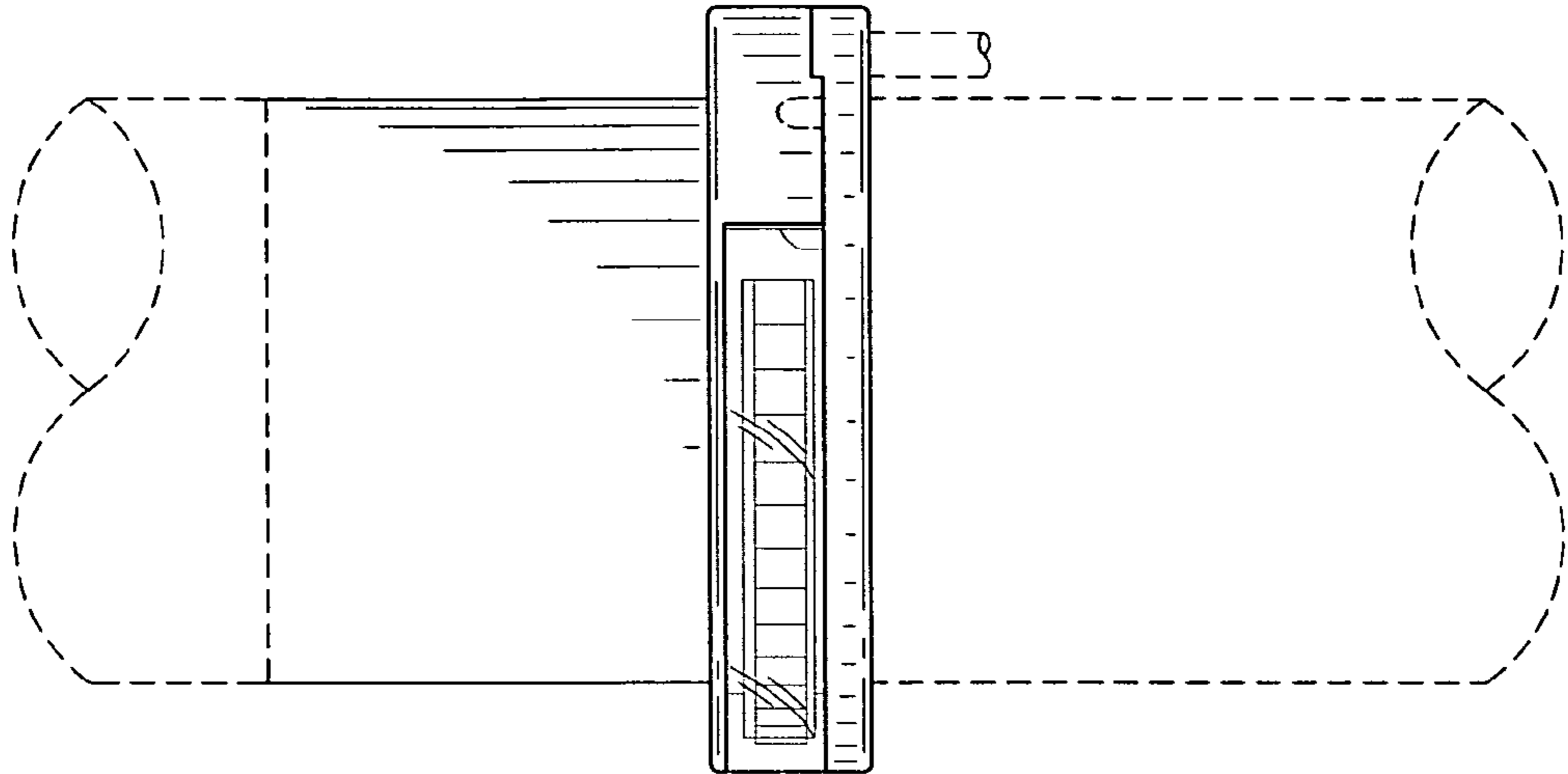


FIG-7

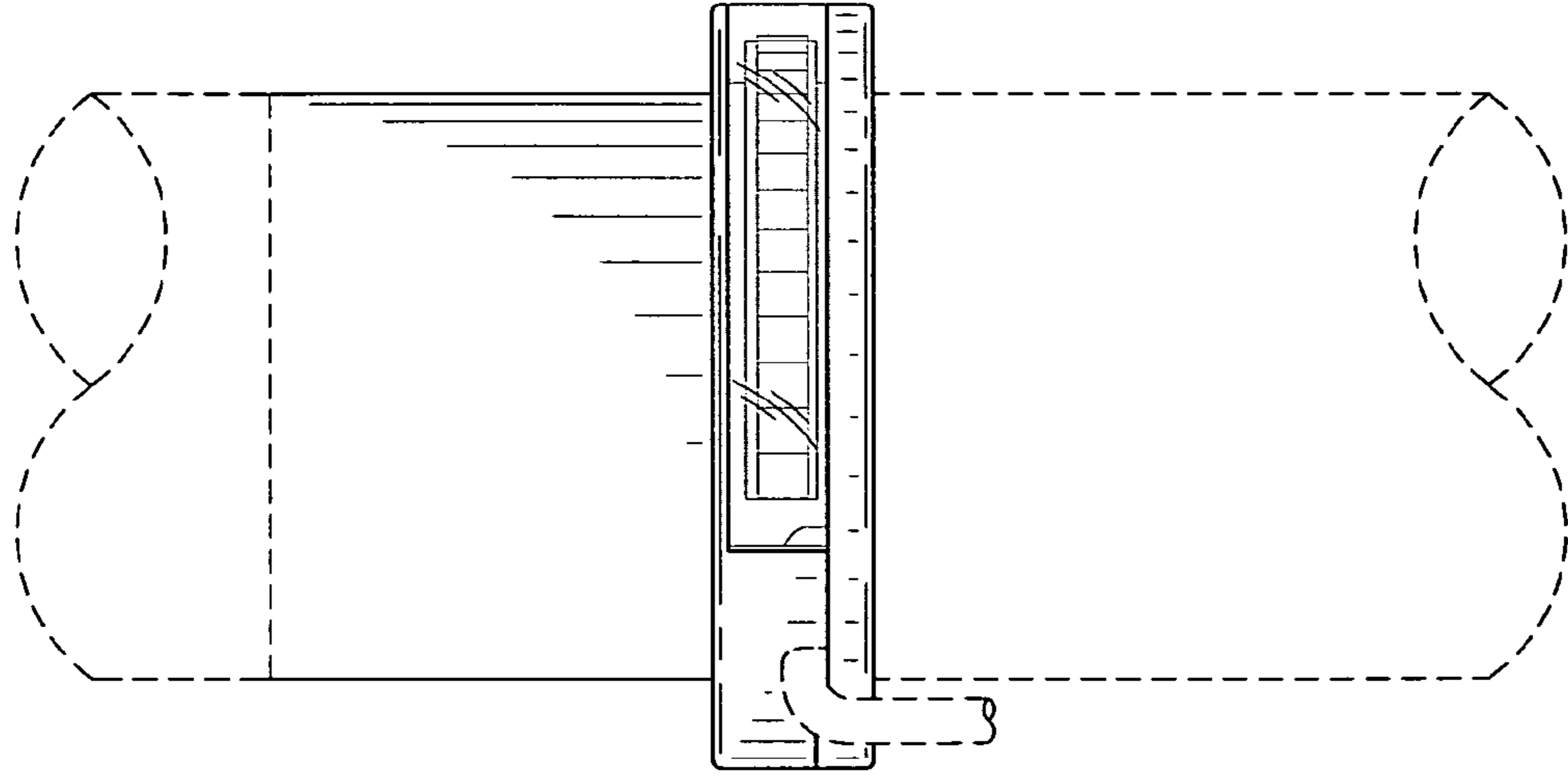


FIG-6

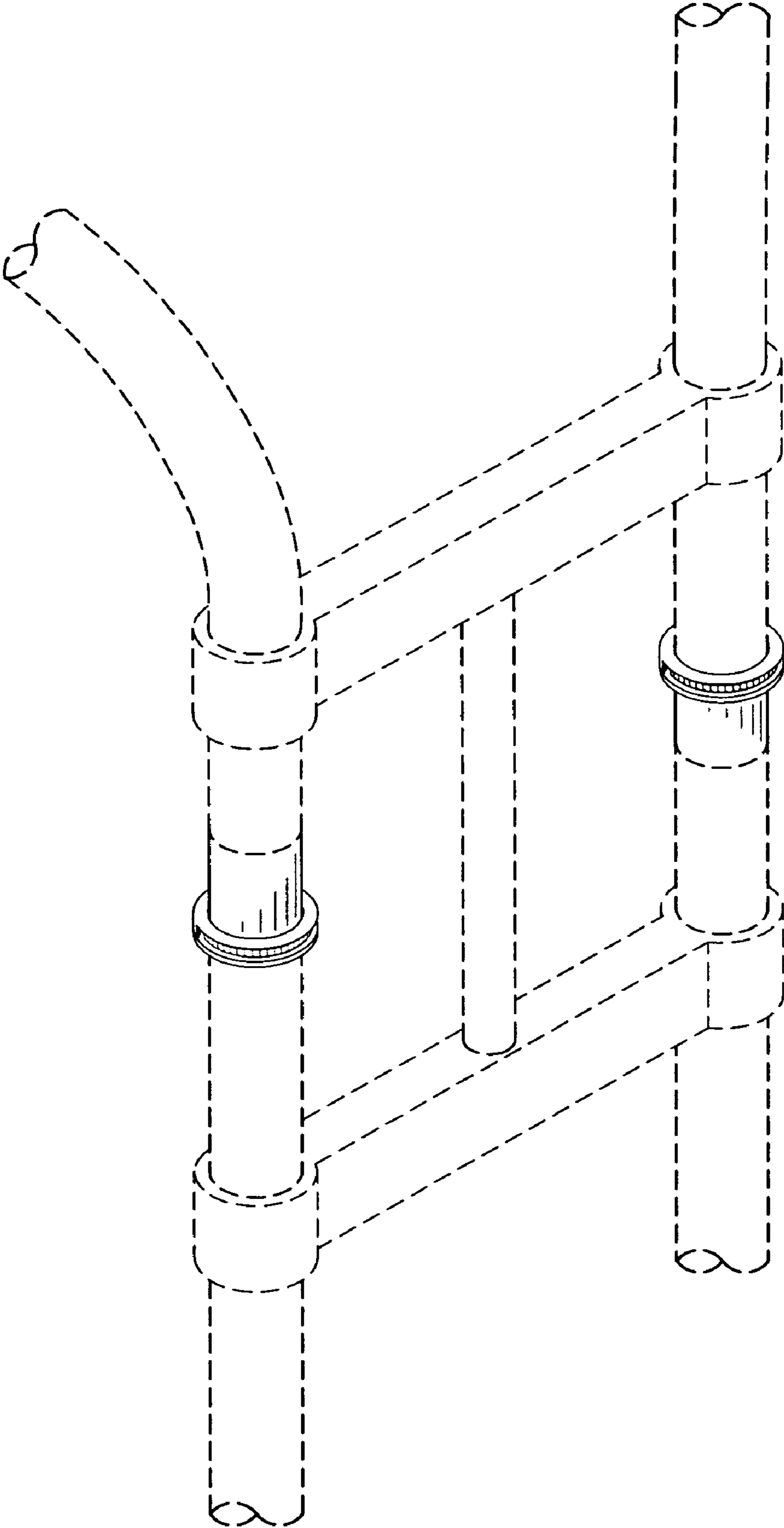


FIG-8