



US00D611172S

(12) **United States Design Patent**
Lin et al.

(10) **Patent No.:** **US D611,172 S**
(45) **Date of Patent:** **** Mar. 2, 2010**

(54) **LAMP TUBE**

(75) Inventors: **Yu-Chen Lin**, Yanchao Township,
Kaohsiung County (CN); **Eric Tsai**,
Yanchao Township, Kaohsiung County
(CN)

(73) Assignees: **Optrom, Inc.** (JP); **Great Top
Technology Co., Ltd.** (CN); **Optrom
(Hong Kong) International, Ltd.** (CN)

(**) Term: **14 Years**

(21) Appl. No.: **29/343,906**

(22) Filed: **Sep. 21, 2009**

(30) **Foreign Application Priority Data**

Apr. 16, 2009 (JP) 2009-008728

(51) **LOC (9) Cl.** **26-06**

(52) **U.S. Cl.** **D26/3**

(58) **Field of Classification Search** D26/1-4;
313/313, 315, 316, 317, 318, 493; 315/52,
315/53, 56, 57, 58

See application file for complete search history.

(56) **References Cited**

U.S. PATENT DOCUMENTS

D506,274 S * 6/2005 Moriyama et al. D26/3

D550,379 S * 9/2007 Hoshikawa et al. D26/25
D574,093 S * 7/2008 Kitagawa et al. D26/3
D576,749 S * 9/2008 Kitagawa et al. D26/3
D577,138 S * 9/2008 Kitagawa et al. D26/37

* cited by examiner

Primary Examiner—Marcus A Jackson
(74) *Attorney, Agent, or Firm*—Hayes Soloway P.C.

(57) **CLAIM**

We claim the ornamental design for a lamp tube, as shown and described.

DESCRIPTION

FIG. 1 is a right side elevational view of a lamp tube showing our design, the left side being identical;

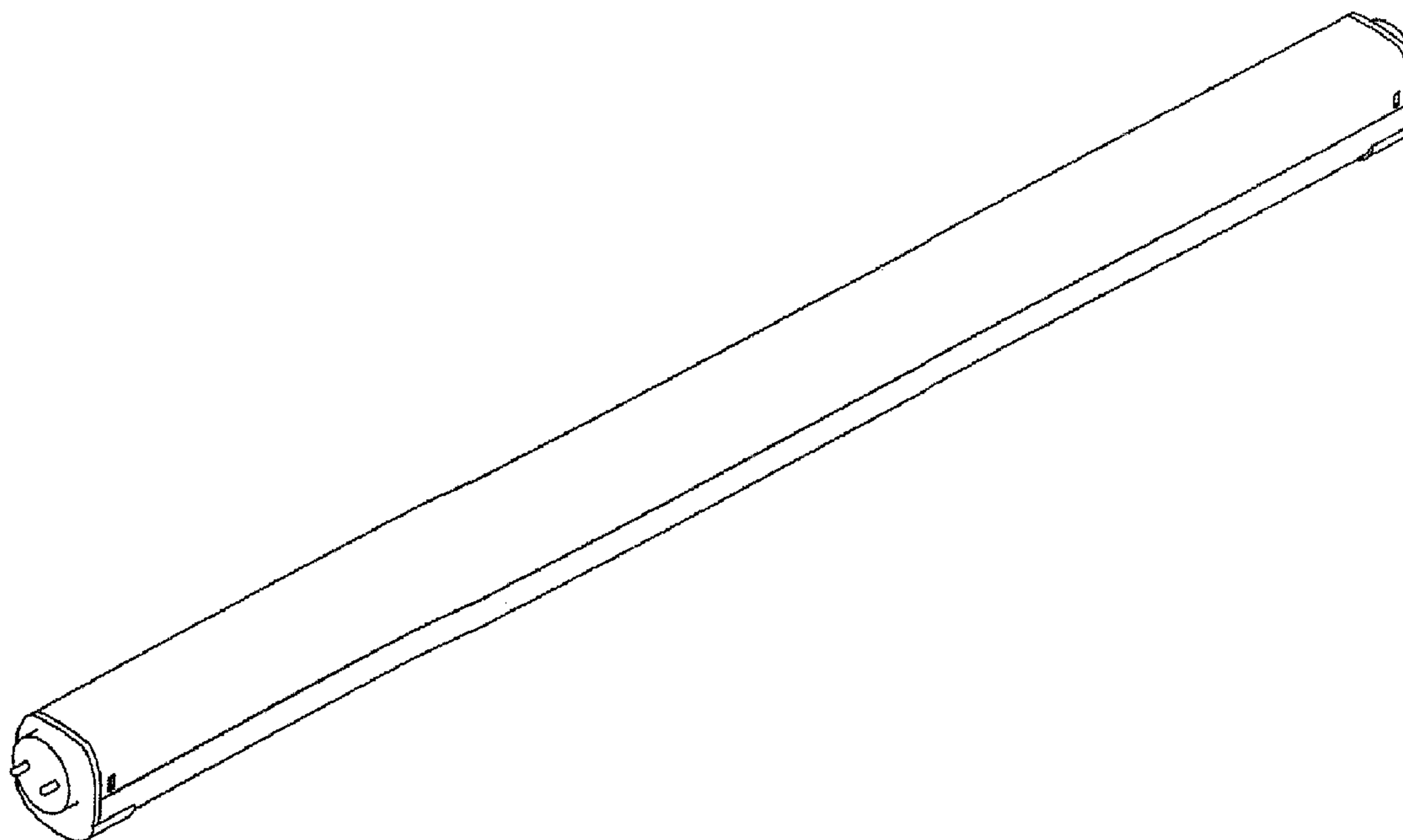
FIG. 2 is a top plan view thereof;

FIG. 3 is a right end elevational view thereof, the left end being identical;

FIG. 4 is a bottom plan view thereof; and,

FIG. 5 is a perspective view thereof.

1 Claim, 5 Drawing Sheets



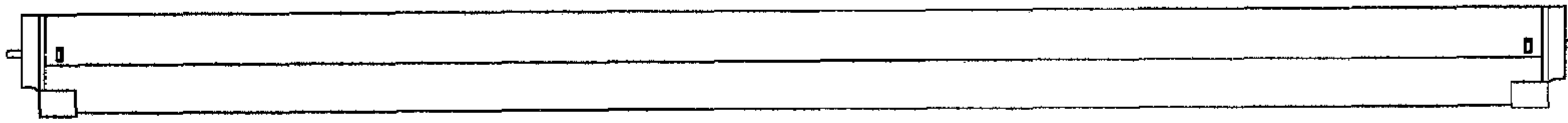


FIG. 1



FIG. 2



FIG. 3



FIG. 4

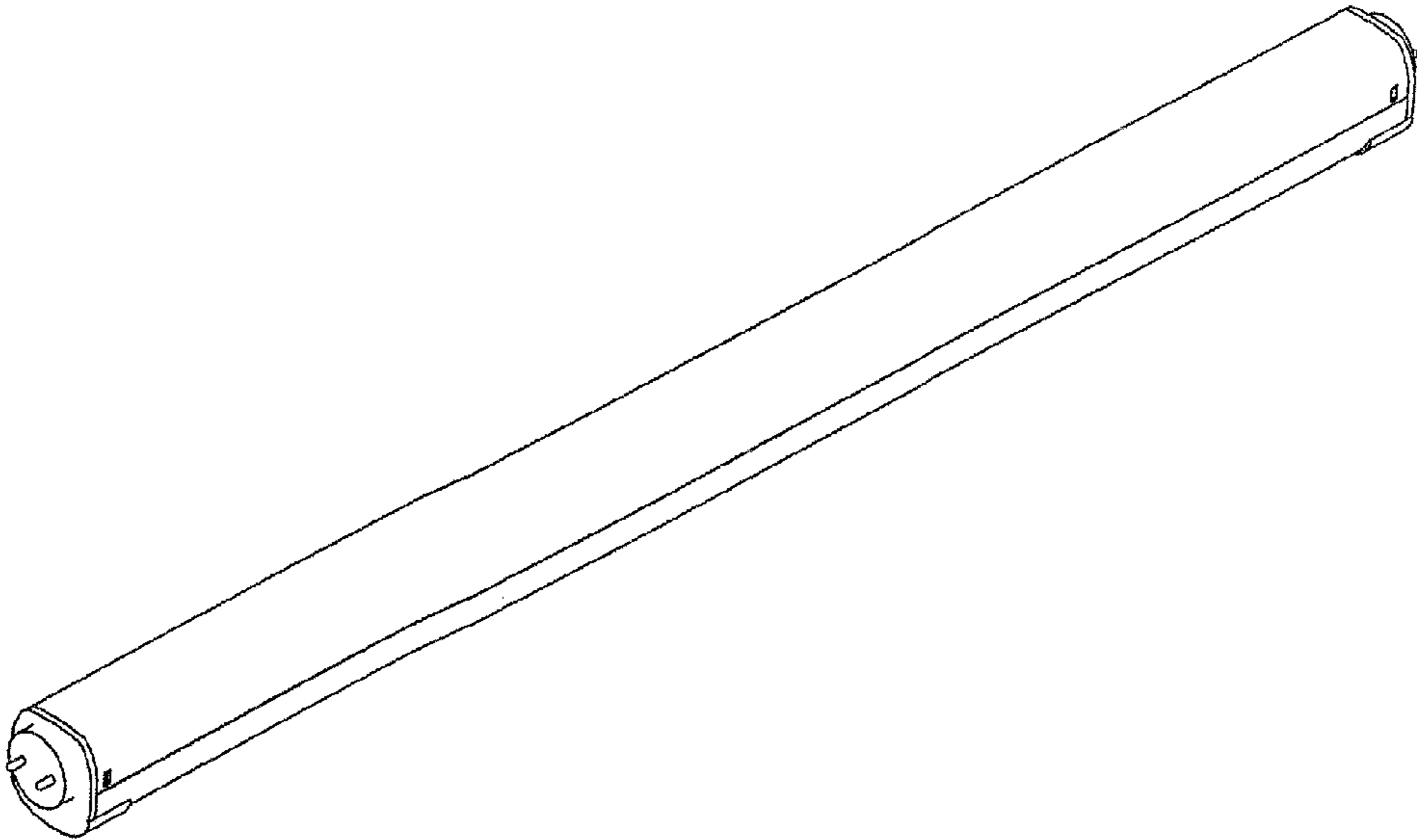


FIG. 5