



US00D611170S

(12) **United States Design Patent**
Hiner

(10) **Patent No.:** **US D611,170 S**
(45) **Date of Patent:** **** Mar. 2, 2010**

- (54) **ACCESS PANEL**
 - (75) **Inventor:** **Larry D. Hiner**, Sand Springs, OK (US)
 - (73) **Assignee:** **Diversified Plastics Industries, LLC**, Sand Springs, OK (US)
 - (**) **Term:** **14 Years**
 - (21) **Appl. No.:** **29/329,284**
 - (22) **Filed:** **Dec. 11, 2008**
 - (51) **LOC (9) Cl.** **25-01**
 - (52) **U.S. Cl.** **D25/138**
 - (58) **Field of Classification Search** D25/138, D25/48, 152, 156, 199; D8/353; 49/463, 49/464, 465; 52/20, 220.1, 220.7, 220.8, 52/205, 208, 476, 507, 511; 220/241; 40/611, 40/620, 768
- See application file for complete search history.

- 5,355,626 A * 10/1994 Sachs 49/436
- 5,361,541 A 11/1994 Szykowski
- D361,141 S * 8/1995 Ueki D25/125
- 5,653,061 A 8/1997 Hiner
- 5,669,190 A 9/1997 Szykowski
- 5,722,208 A 3/1998 Humphrey et al.
- 5,765,312 A 6/1998 Szykowski
- D436,926 S * 1/2001 Lew D13/152
- D441,719 S * 5/2001 Lew D13/152
- D446,317 S * 8/2001 Jackson et al. D25/48
- D479,008 S * 8/2003 Krieger D25/136
- 6,830,274 B2 * 12/2004 Burkhardt et al. 296/1.06
- D588,716 S * 3/2009 Meyer D25/142
- 2007/0204530 A1 * 9/2007 Janesky 52/169.14
- 2009/0025326 A1 * 1/2009 Celli 52/344

* cited by examiner

Primary Examiner—Stella M Reid
Assistant Examiner—Mark A Goodwin
(74) *Attorney, Agent, or Firm*—Head, Johnson & Kachigian, P.C.

(56) **References Cited**

U.S. PATENT DOCUMENTS

- 1,798,152 A 3/1931 Farley
- 1,818,269 A * 8/1931 Olley 49/465
- D94,281 S * 1/1935 Rocic D25/156
- 2,156,110 A 4/1939 Brukner
- 2,714,546 A 8/1955 Lesniak
- 2,766,856 A * 10/1956 Nelsson 49/246
- 3,286,412 A 11/1966 Greig et al.
- 3,491,486 A * 1/1970 Caruth 49/463
- 3,786,585 A * 1/1974 Delaquila et al. 40/611.05
- 4,776,484 A 10/1988 Hansen
- 4,890,418 A * 1/1990 Sachs 49/463
- 4,970,836 A 11/1990 Brown
- D316,905 S * 5/1991 Michaelsen D25/138
- D319,227 S * 8/1991 Albert et al. D14/308
- D334,809 S * 4/1993 Davlantes D25/48
- D342,326 S * 12/1993 Hansson D25/119
- 5,327,682 A * 7/1994 Holtz 49/463

(57) **CLAIM**

The ornamental design for an access panel, as shown and described.

DESCRIPTION

FIG. 1 is a top view of an access panel showing my new design;
FIG. 2 is a left side view thereof;
FIG. 3 is a back view thereof;
FIG. 4 is a front view thereof;
FIG. 5 is a bottom view thereof; and,
FIG. 6 is an enlarged back perspective view thereof.
The broken line showing of the walls in FIG. 2 is included for the purpose of illustrating environmental structure and forms no part of the claimed design.

1 Claim, 2 Drawing Sheets

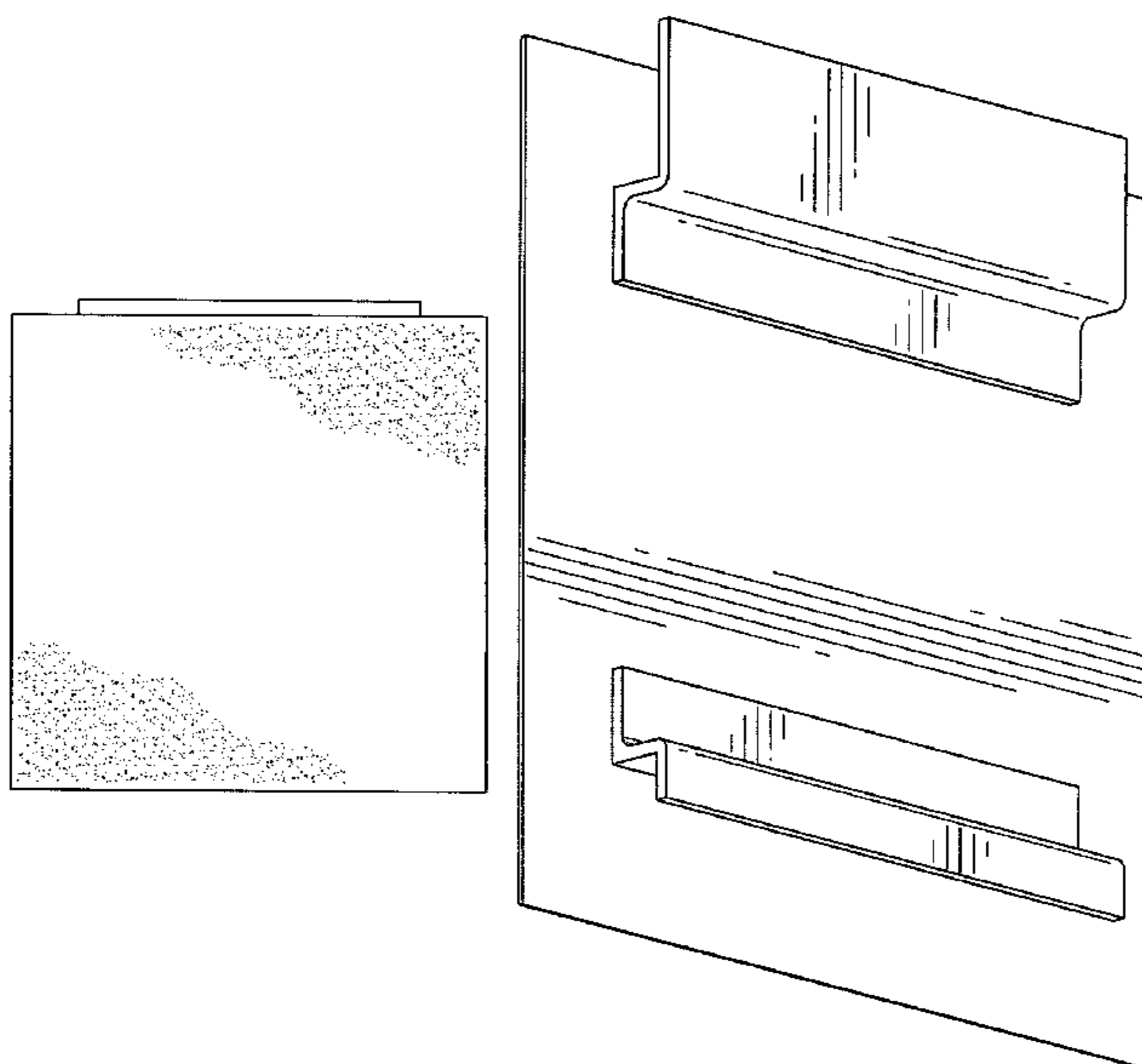




FIG. 1



FIG. 2

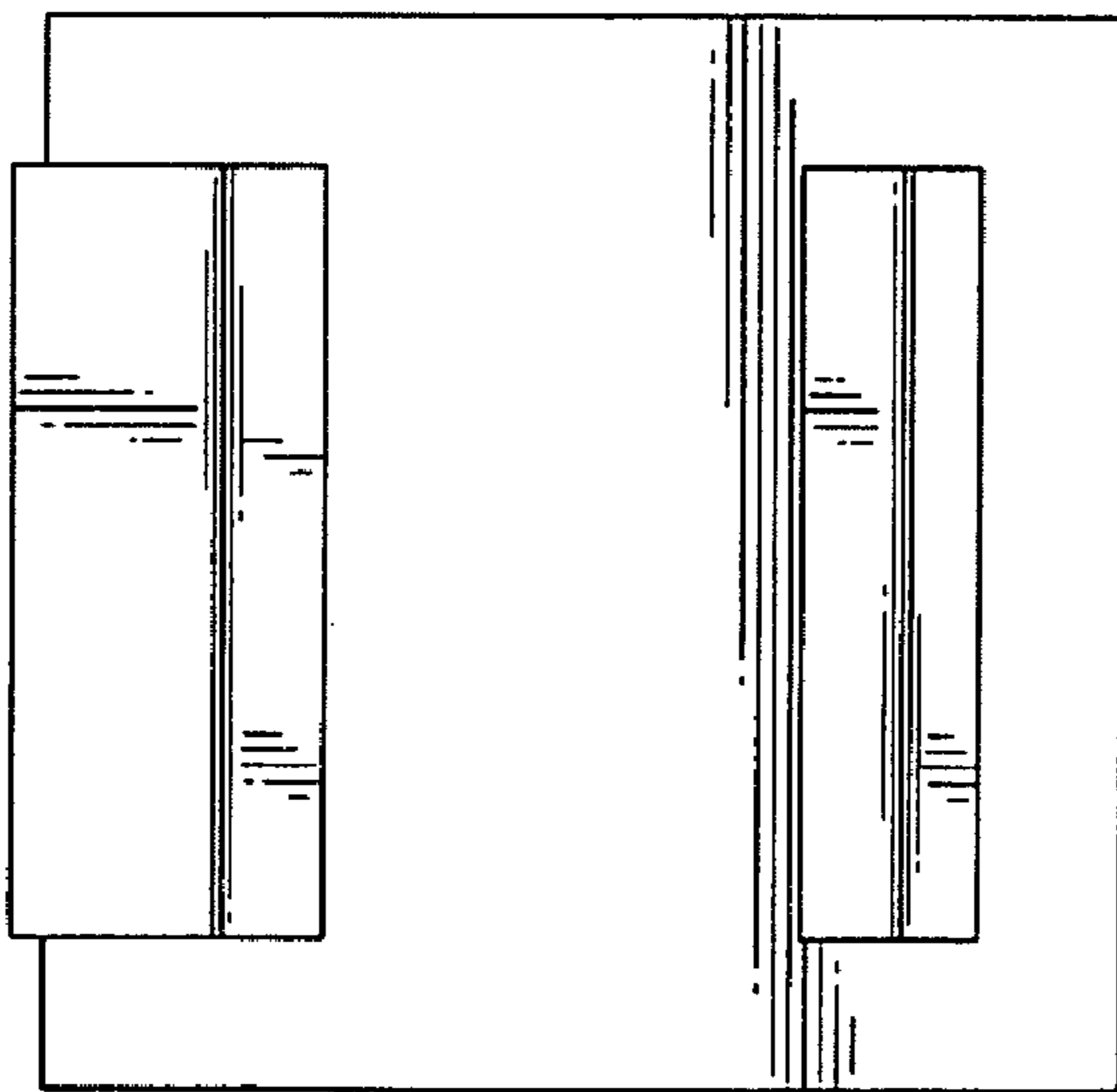


FIG. 3



FIG. 5

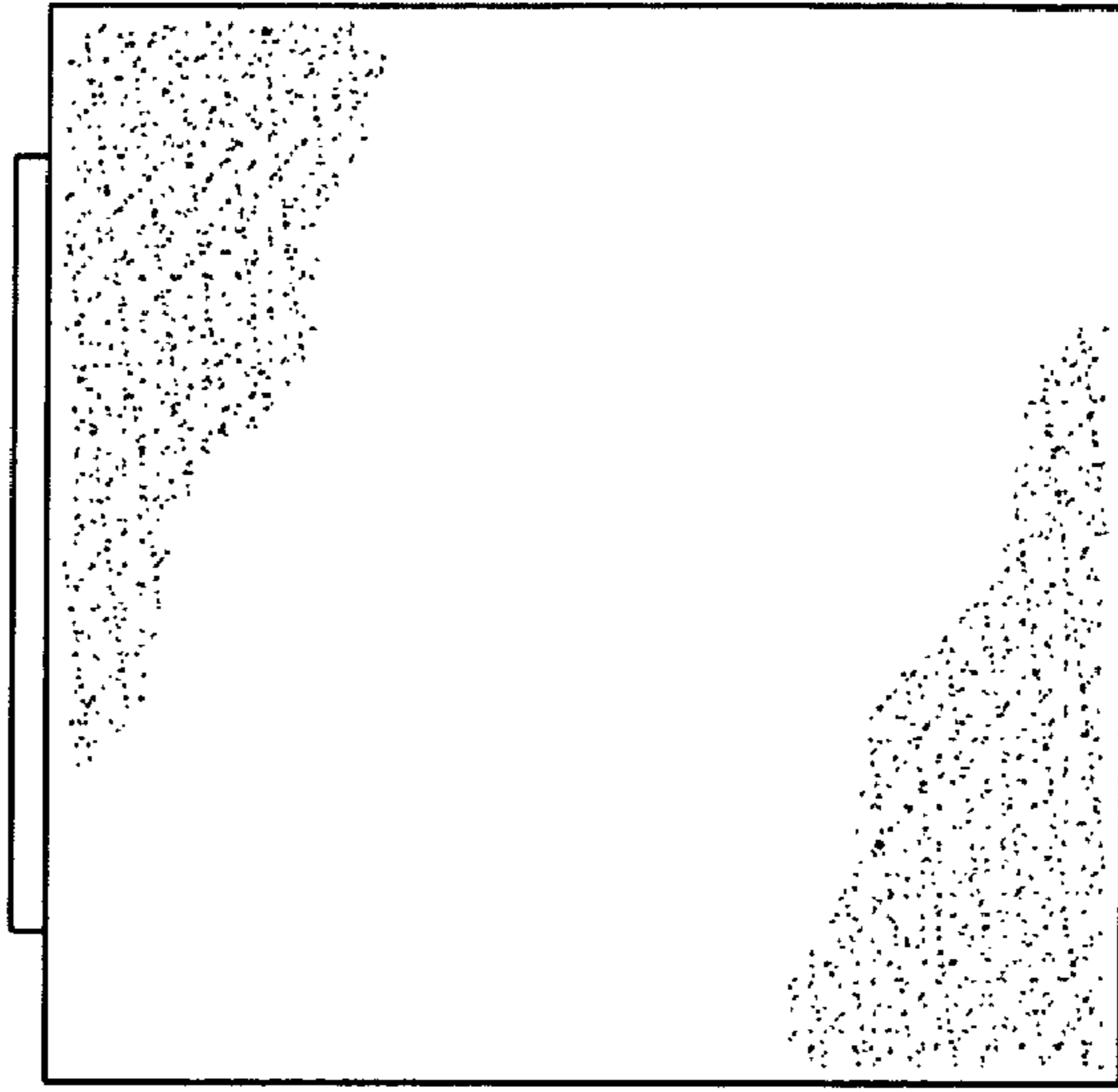


FIG. 4

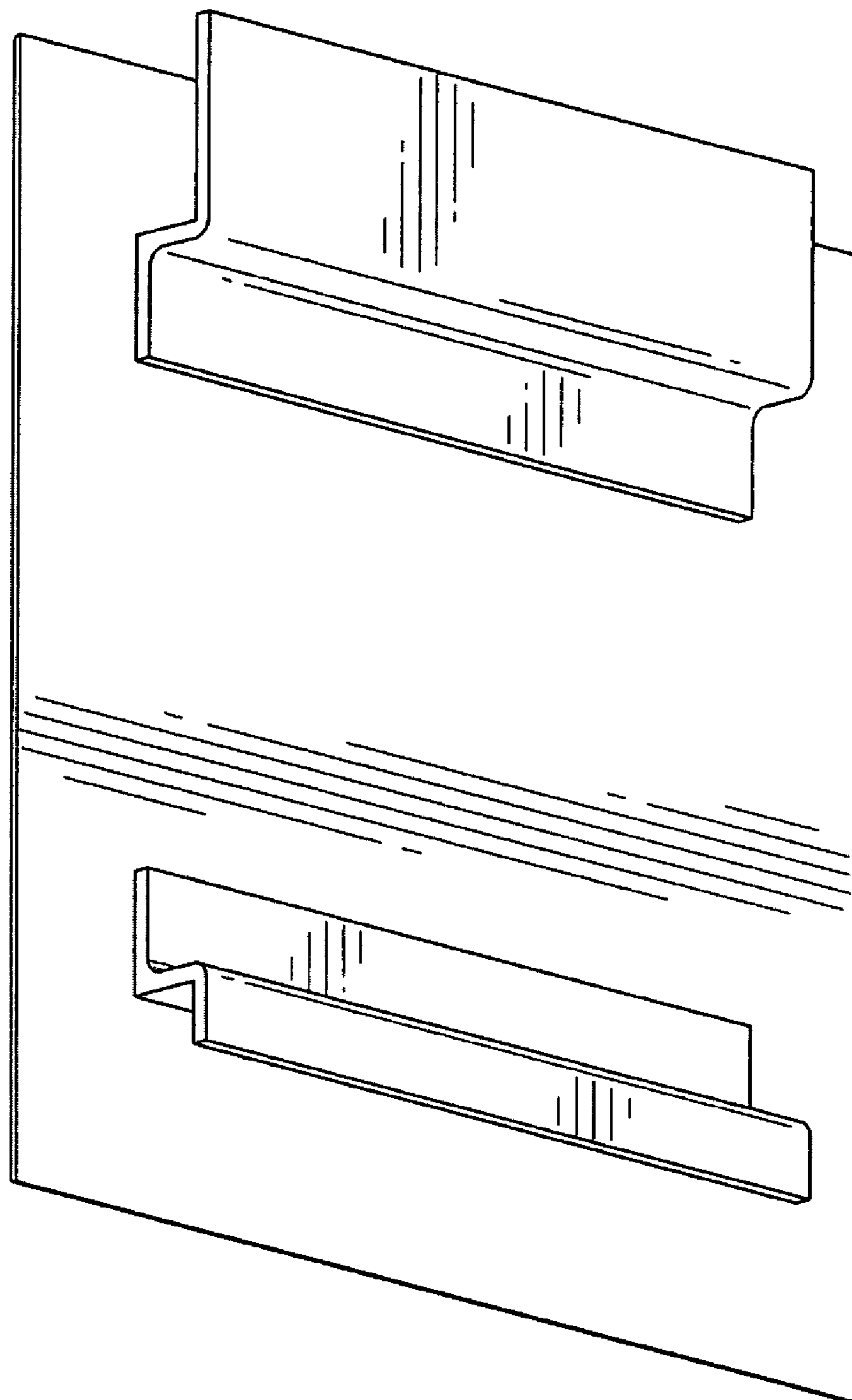


FIG. 6