



US00D611169S

(12) **United States Design Patent**
Harder

(10) **Patent No.:** **US D611,169 S**
(45) **Date of Patent:** **** Mar. 2, 2010**

(54) **DECK RAIL**

(76) **Inventor:** **Willard J. Harder**, 20355 Eaves Way,
Farmington, MN (US) 55024

(**) **Term:** **14 Years**

(21) **Appl. No.:** **29/313,764**

(22) **Filed:** **Feb. 9, 2009**

(51) **LOC (9) Cl.** **25-01**

(52) **U.S. Cl.** **D25/122**

(58) **Field of Classification Search** 52/579,
52/520, 87, 181, 177; 405/201, 4; D25/122;
256/59, 65.01

See application file for complete search history.

(56) **References Cited**

U.S. PATENT DOCUMENTS

- 5,313,756 A * 5/1994 Ways et al. 52/263
- D423,117 S * 4/2000 Chaney et al. D25/122
- D424,213 S * 5/2000 Chaney et al. D25/122
- 6,062,519 A * 5/2000 Baldassarre 248/311.2

- D541,953 S * 5/2007 Deleu D25/122
- 2002/0062606 A1 * 5/2002 Hystad 52/177

* cited by examiner

Primary Examiner—Doris Clark

(74) *Attorney, Agent, or Firm*—Richard John Bartz

(57) **CLAIM**

The ornamental design for a deck rail, as shown and described.

DESCRIPTION

FIG. 1 is a foreshortened perspective view of the deck rail of my design;

FIG. 2 is a foreshortened side elevational view thereof, the opposite side being a mirror image thereof;

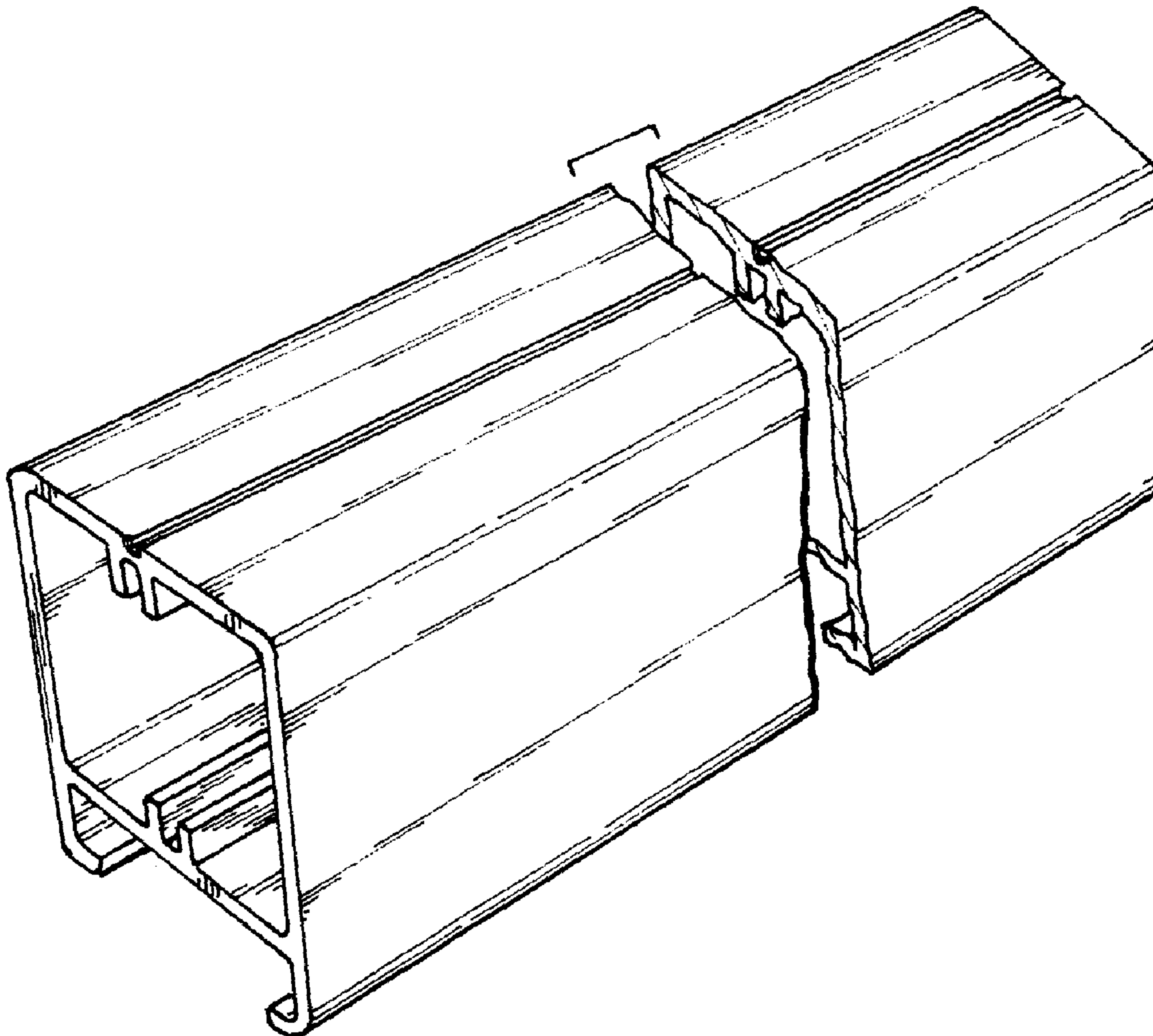
FIG. 3 is an end elevational view of the right end thereof;

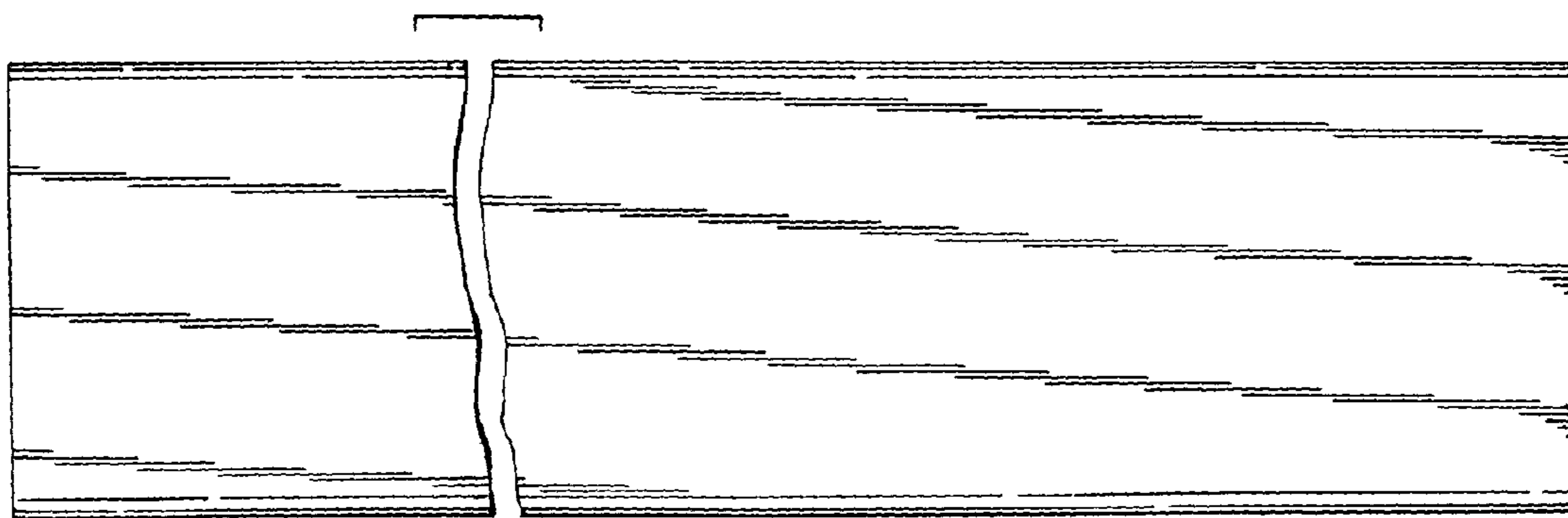
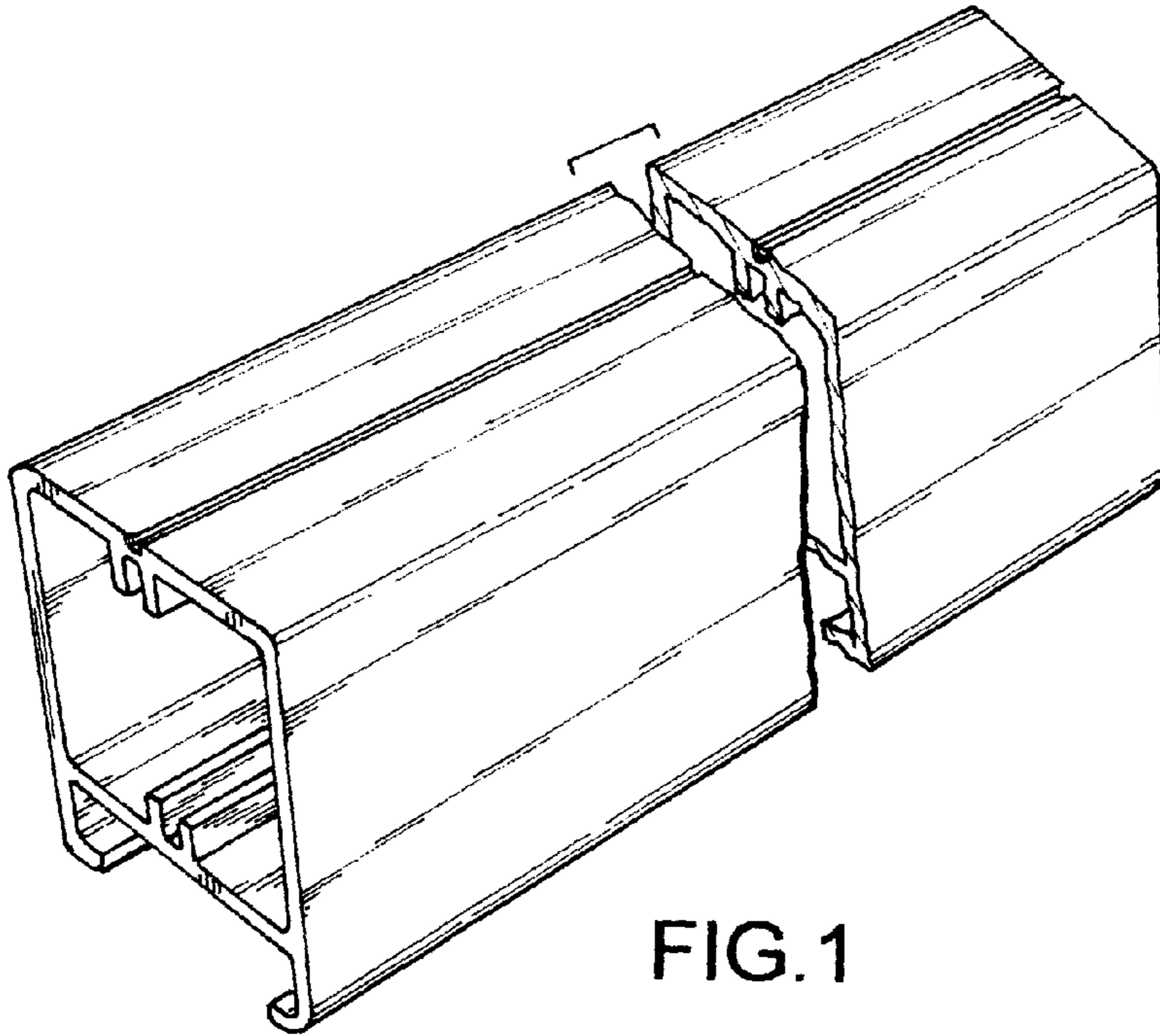
FIG. 4 is an end elevational view of the left end thereof;

FIG. 5 is a foreshortened top plan view thereof; and,

FIG. 6 is a foreshortened bottom plan view thereof.

1 Claim, 2 Drawing Sheets





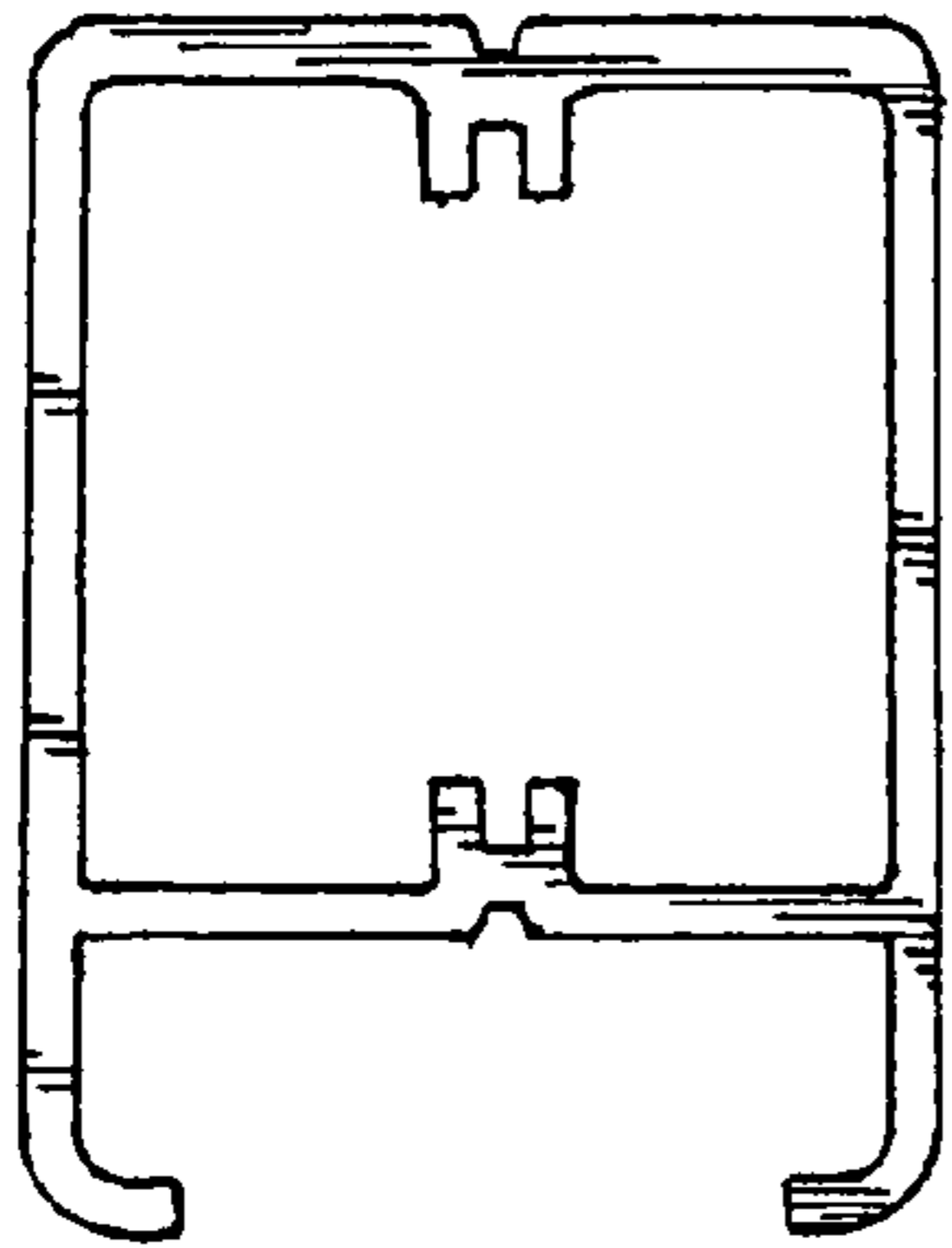


FIG.3

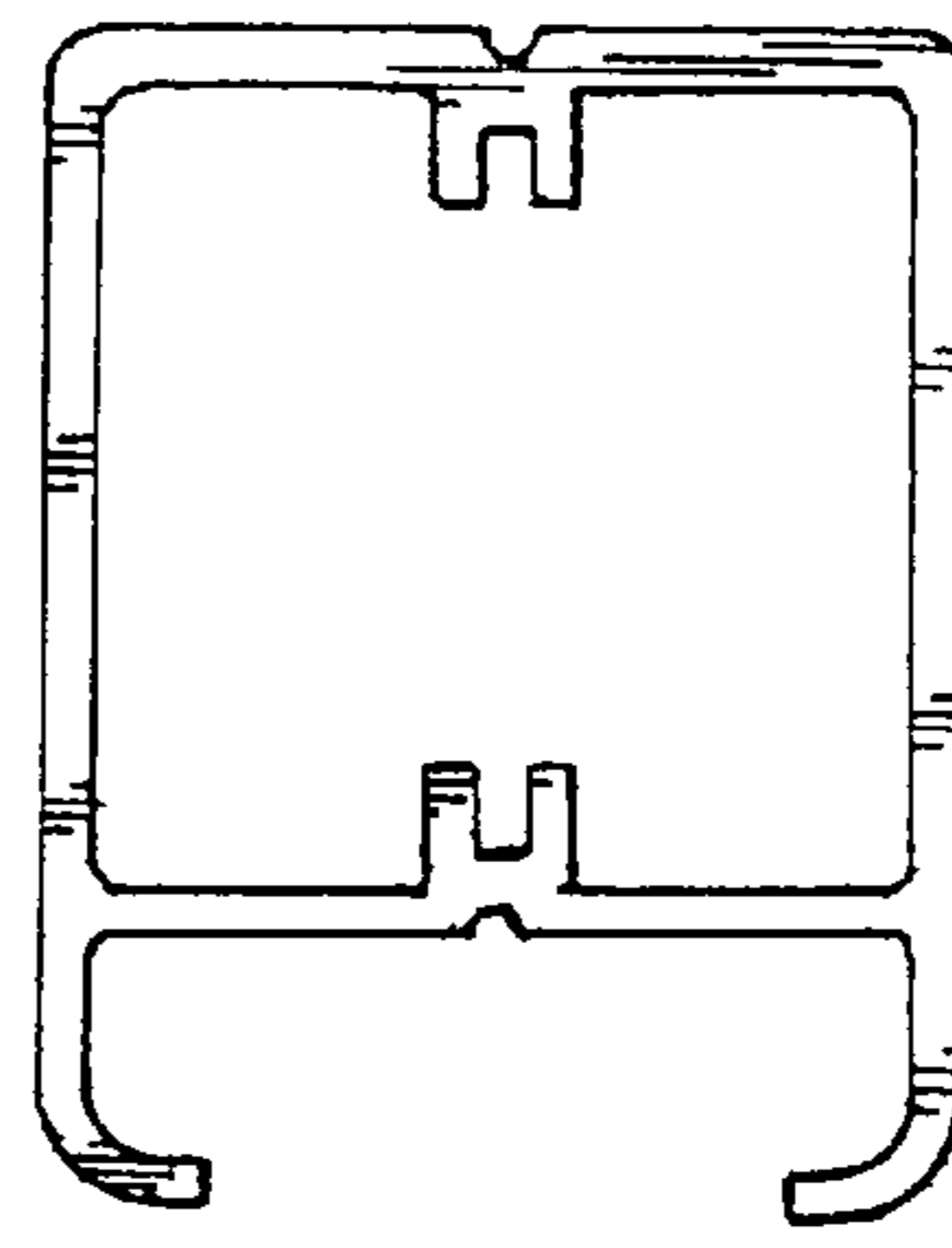


FIG.4

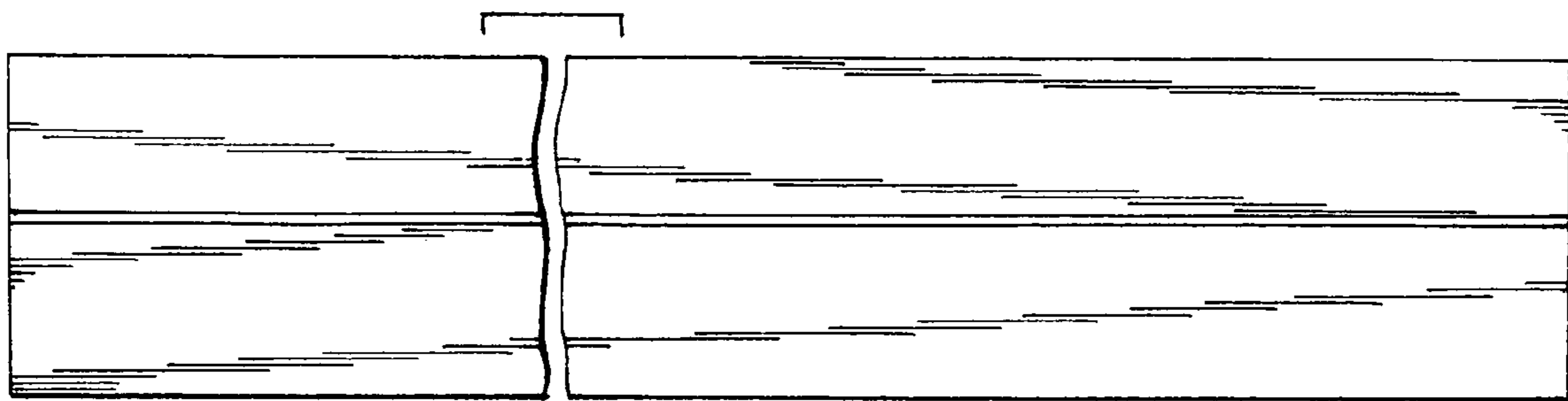


FIG.5

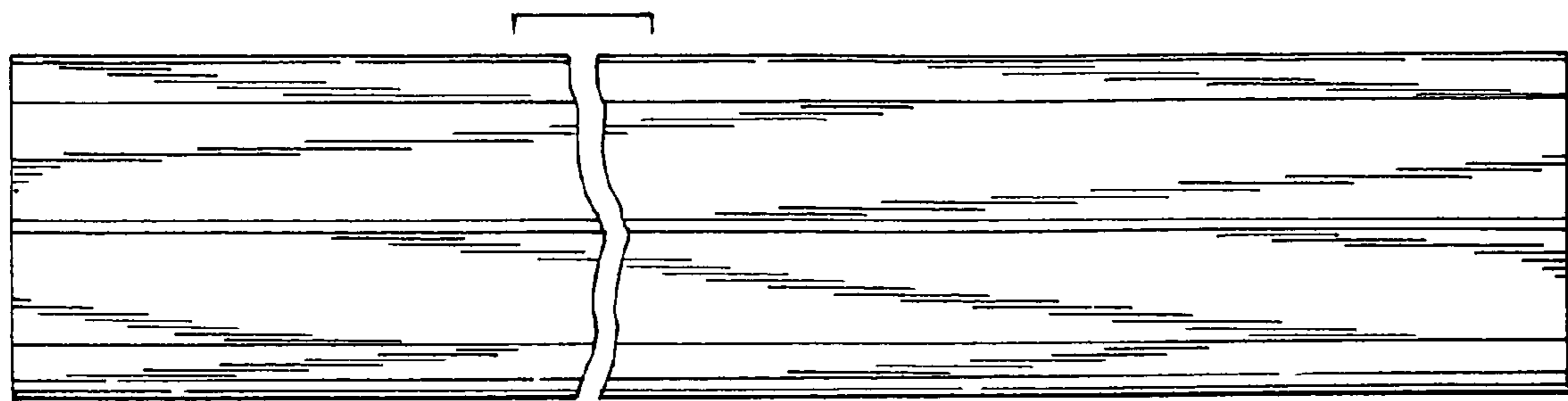


FIG.6