



US00D611162S

(12) **United States Design Patent**  
**Moon**

(10) **Patent No.:** **US D611,162 S**  
(45) **Date of Patent:** **\*\* Mar. 2, 2010**

(54) **ERGONOMIC HISTOLOGY STATION**

(76) Inventor: **Steven Franklin Moon**, 915 Portofino Dr., Brentwood, CA (US) 94513

(\*\*) Term: **14 Years**

(21) Appl. No.: **29/314,844**

(22) Filed: **May 5, 2009**

(51) **LOC (9) Cl.** ..... **24-01**

(52) **U.S. Cl.** ..... **D24/227**

(58) **Field of Classification Search** ..... D24/217,  
D24/227-232; D3/297; D6/432, 446, 448,  
D6/510, 632; 312/111; 422/102, 104; 108/2,  
108/3, 6, 8, 9, 10

See application file for complete search history.

(56) **References Cited**

**U.S. PATENT DOCUMENTS**

2,704,235	A	3/1955	Bion	
2,733,110	A	1/1956	Berner et al.	
3,094,948	A	6/1963	Clow	
3,358,620	A	12/1967	Parigi	
3,557,791	A	1/1971	Duffy	
D243,900	S *	4/1977	Boyd et al.	D6/510
D255,518	S *	6/1980	Logsdon	D6/446
4,248,161	A	2/1981	Adair et al.	
4,383,486	A	5/1983	Reineman et al.	
4,413,867	A *	11/1983	Mosebrook et al.	312/111
4,433,882	A *	2/1984	Brown	312/111
4,703,701	A	11/1987	Sema	
4,884,512	A	12/1989	Kelly et al.	
D360,778	S *	8/1995	Apt et al.	D6/448
5,483,898	A	1/1996	Seidl	
D372,378	S *	8/1996	Kruger	D6/448
D398,472	S *	9/1998	Worrell et al.	D6/632
D439,777	S *	4/2001	Laughton	D6/510

(Continued)

*Primary Examiner*—T. Chase Nelson  
*Assistant Examiner*—Mark Cavanna

(74) *Attorney, Agent, or Firm*—Adams Law Office; Sharon J. Adams

(57) **CLAIM**

The ornamental design for an ergonomic histology station, as shown and described.

**DESCRIPTION**

FIG. 1 is a perspective view of the histology station with the drawer open and the lid removed.

FIG. 2 is a top view of the histology station, with the lid removed, and the drawer closed.

FIG. 3 is a rear elevational view of the histology station, with the lid removed, and the drawer closed.

FIG. 4 is a front elevational view of the histology station, with the lid removed, and the drawer closed.

FIG. 5 is a right side elevational view of the histology station, with the lid removed and the drawer closed.

FIG. 6 is a left side elevational view of the histology station, with the lid removed and the drawer closed.

FIG. 7 is a bottom view of the histology station

FIG. 8 is a top view of the lid of the histology station.

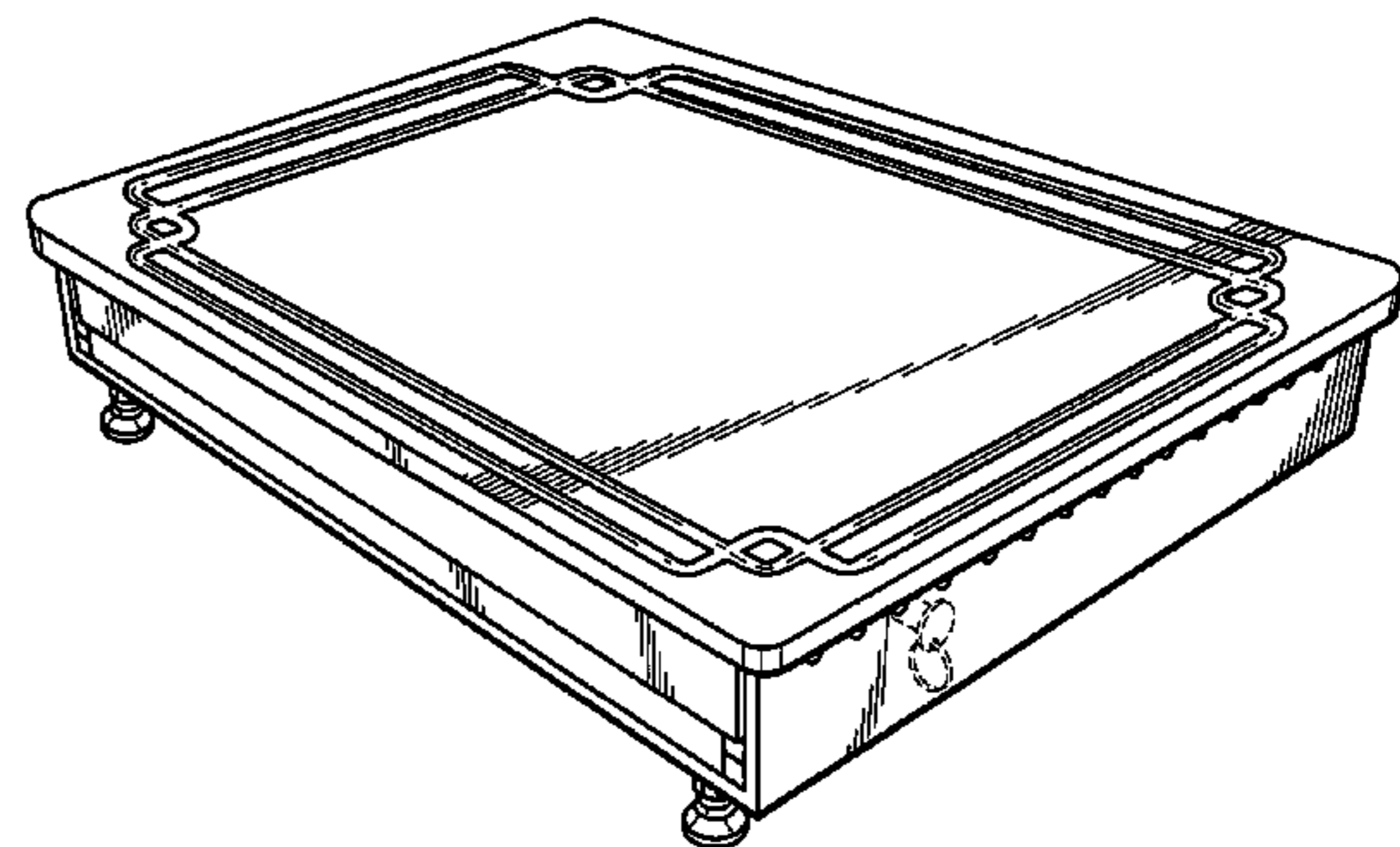
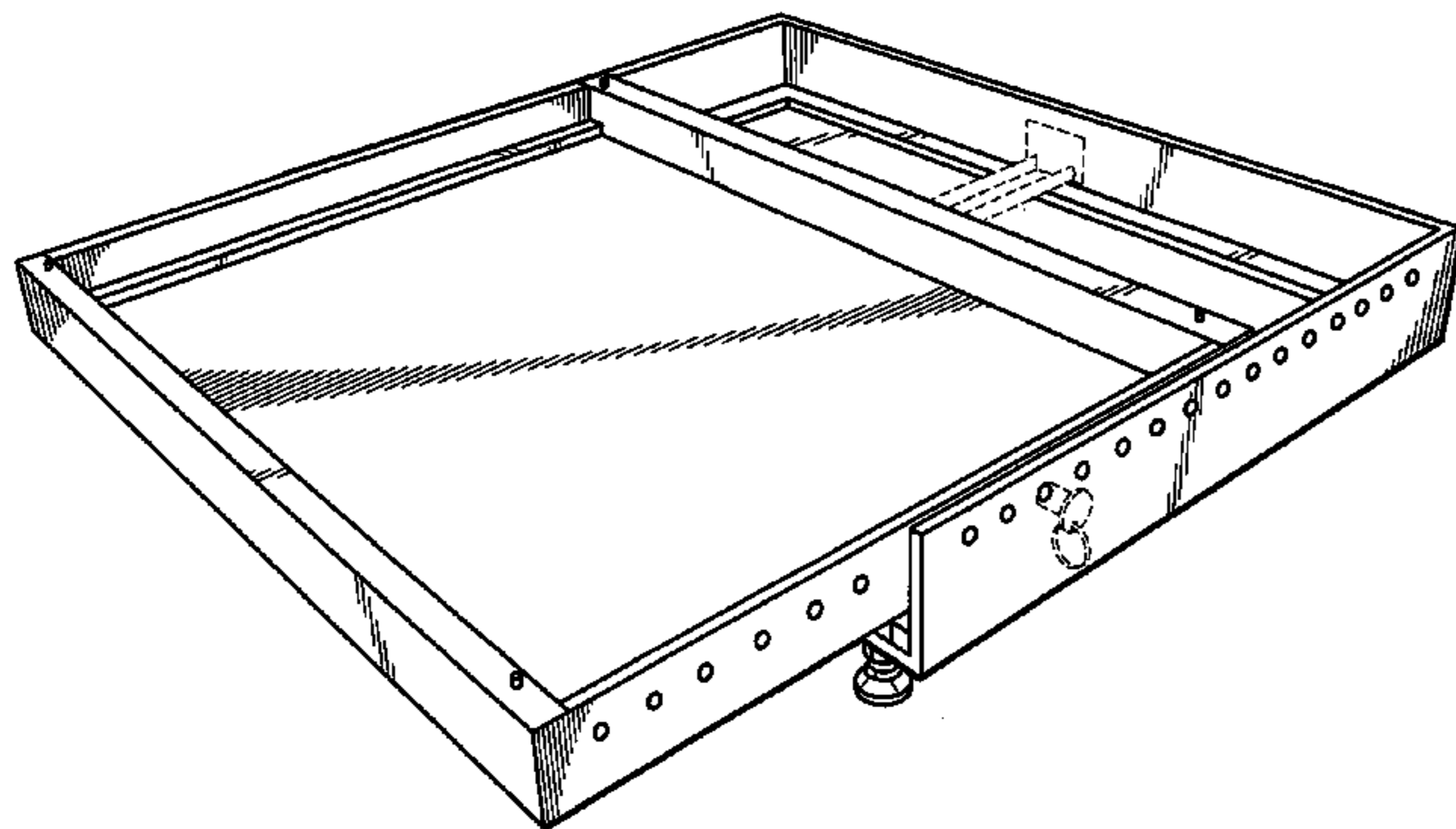
FIG. 9 is a bottom view of the lid of the histology station.

FIG. 10 is a perspective view of the histology station, with the lid on, and the drawer closed; and,

FIG. 11 is a right side elevational view of the histology station, with the lid removed, the drawer closed, and showing the station feet capable of swiveling.

The purpose of the broken lines in the drawings is to show the environmental structure, and form no part of the design to be patented.

**1 Claim, 9 Drawing Sheets**



# US D611,162 S

Page 2

---

## U.S. PATENT DOCUMENTS

D474,626 S *	5/2003	Landsberger et al. ....	D6/432	D504,772 S *	5/2005	Sanders .....	D3/297
D499,550 S *	12/2004	Sanders .....	D3/297	7,086,632 B2	8/2006	Hsieh	
D501,615 S *	2/2005	Chen .....	D6/446	D554,707 S *	11/2007	Hussaini et al. ....	D3/297
6,857,829 B2	2/2005	Newton et al.		D580,172 S *	11/2008	Perez .....	D3/297
D502,812 S *	3/2005	Zimmerman .....	D3/297	2008/0053340 A1	3/2008	Comeaux et al.	

\* cited by examiner

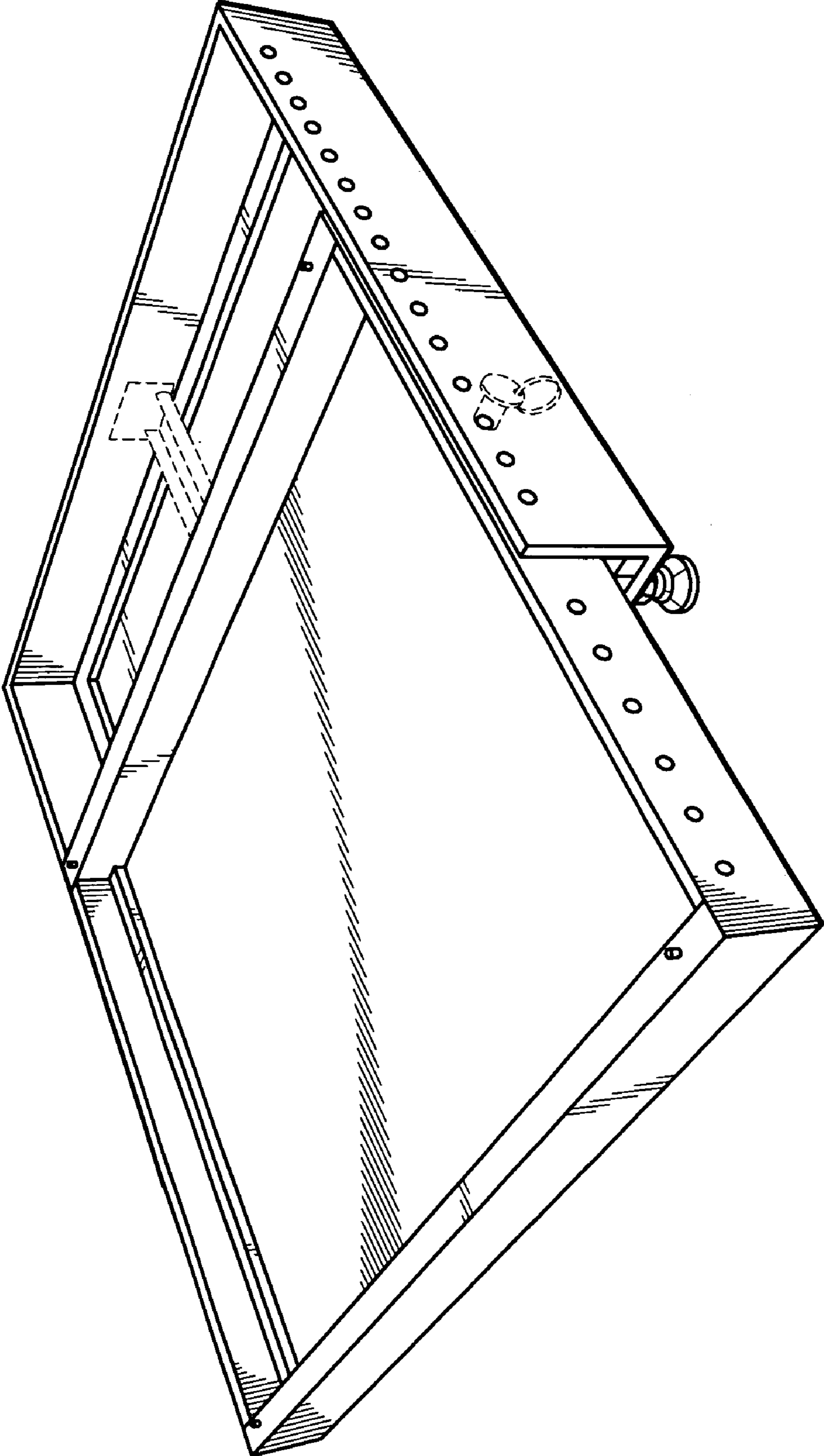


FIG. 1

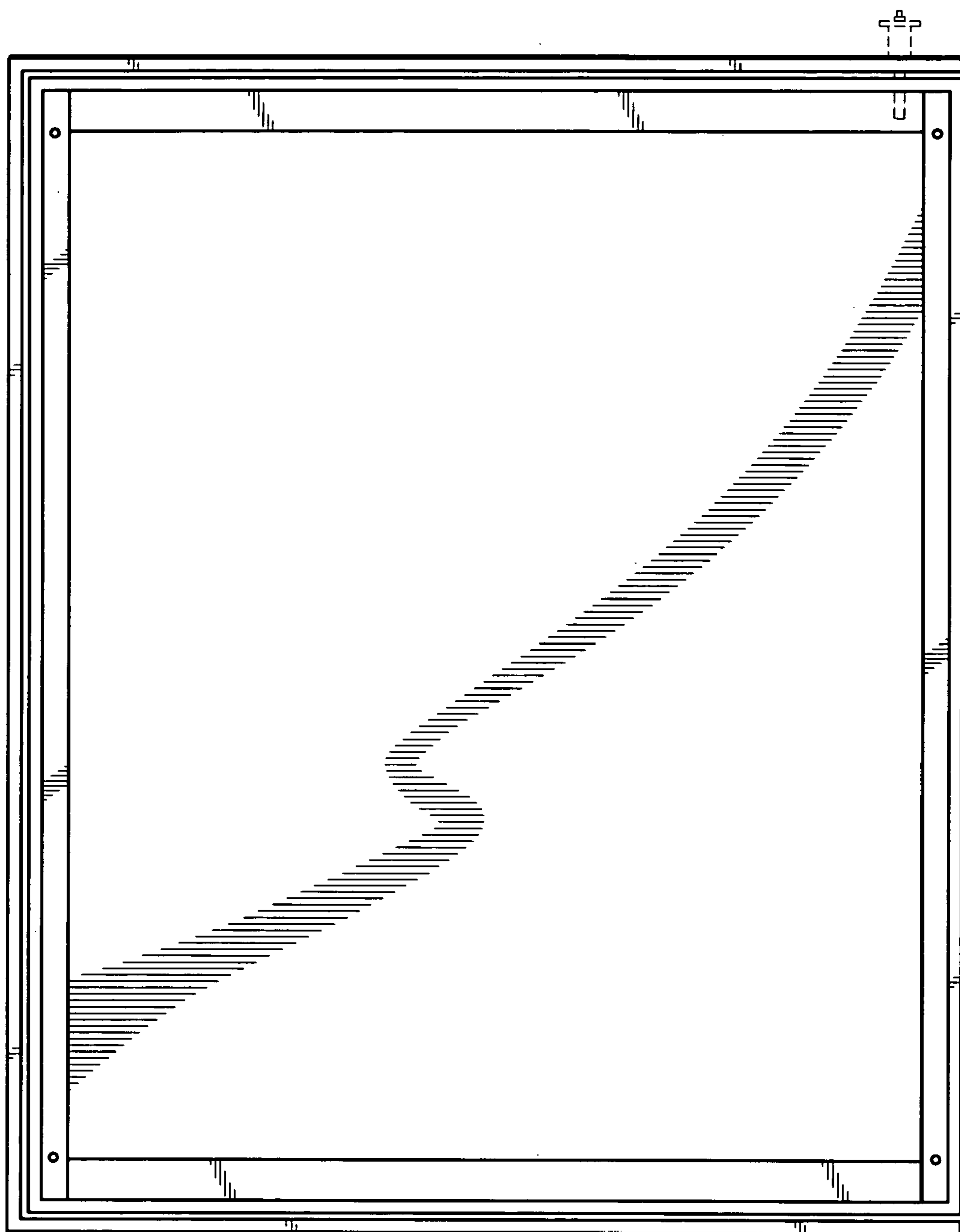


FIG. 2

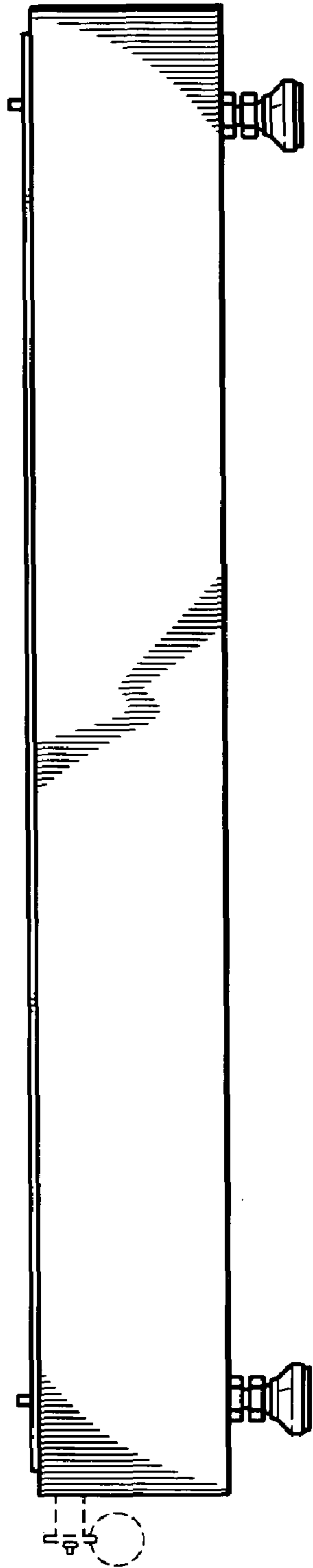


FIG. 3

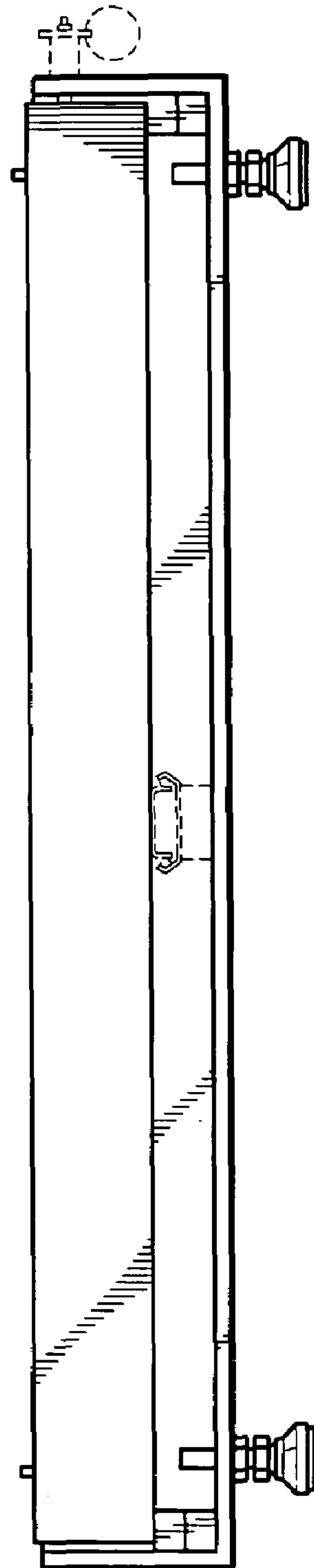
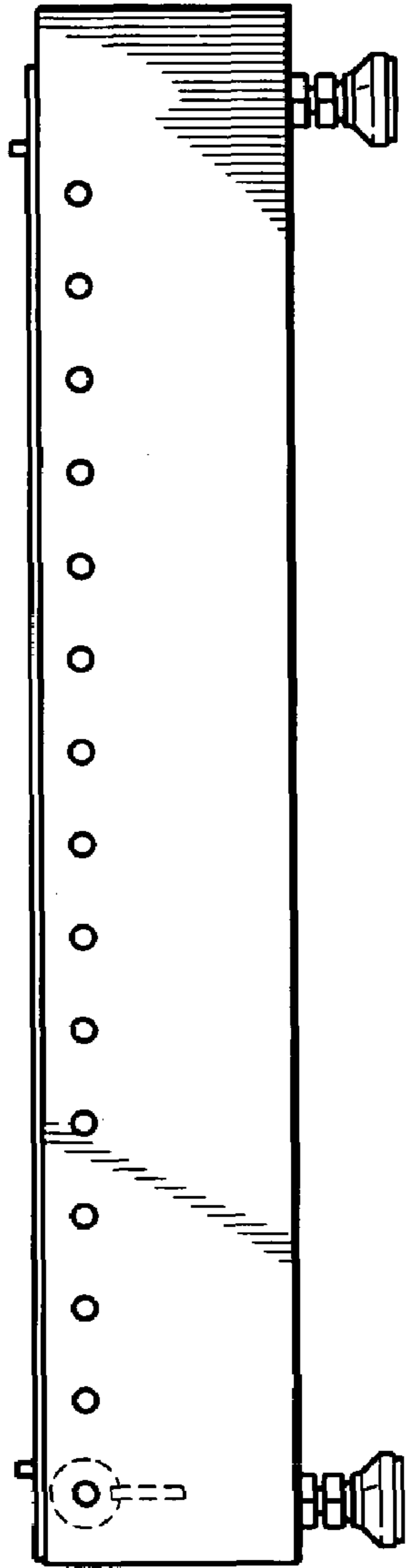
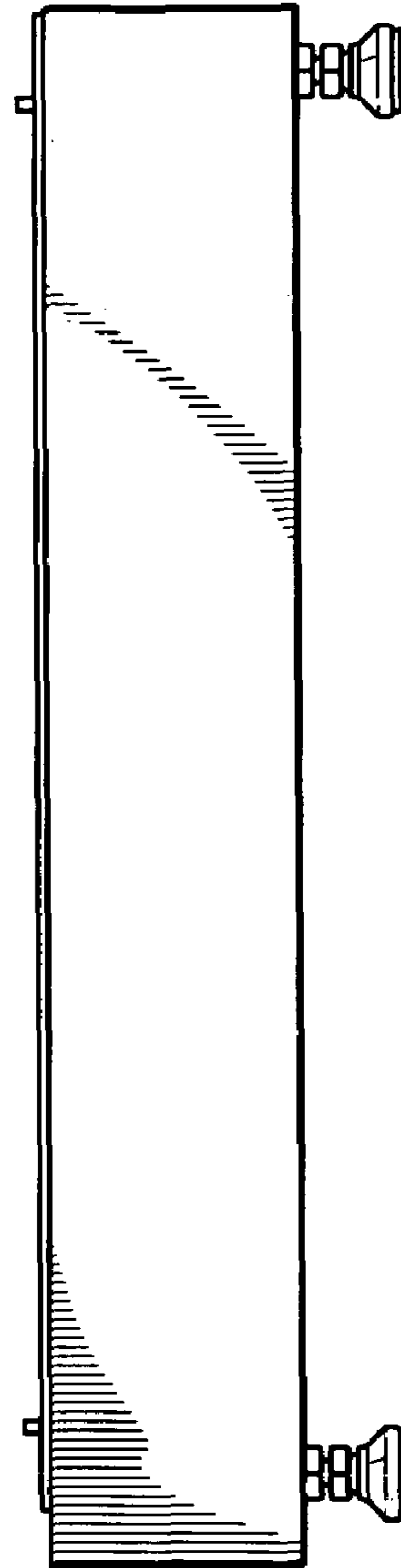


FIG. 4

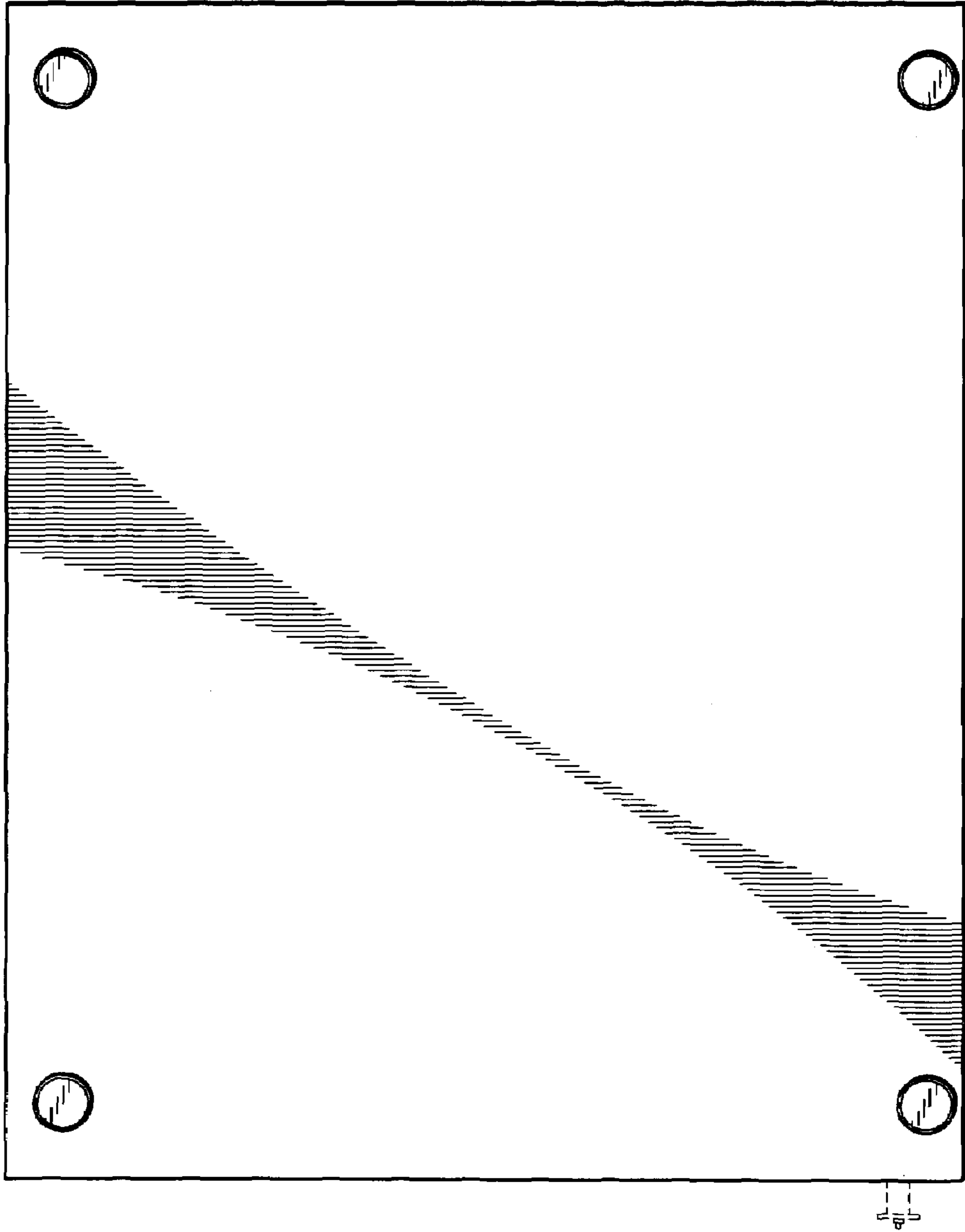


*FIG. 5*



*FIG. 6*

FIG. 7



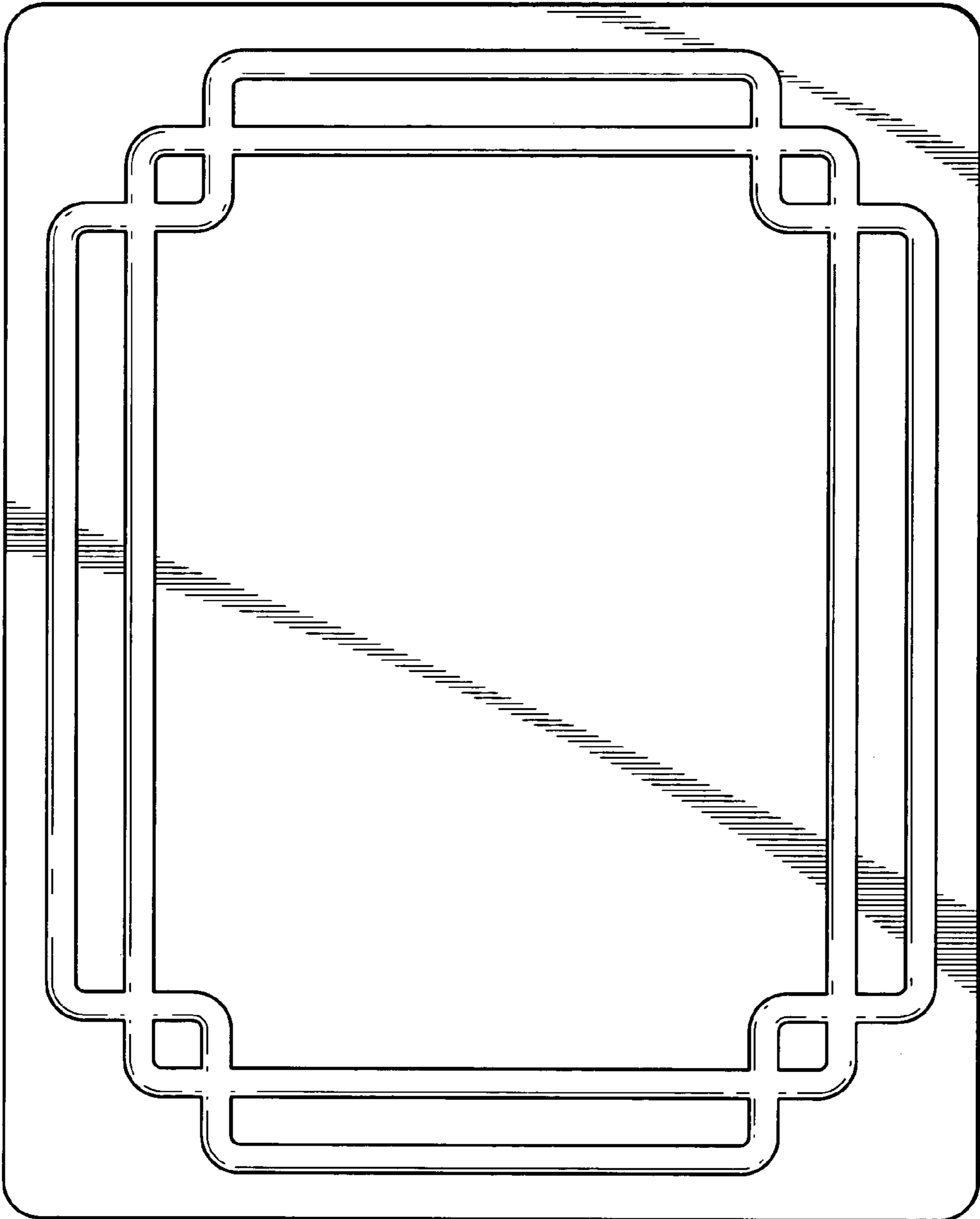
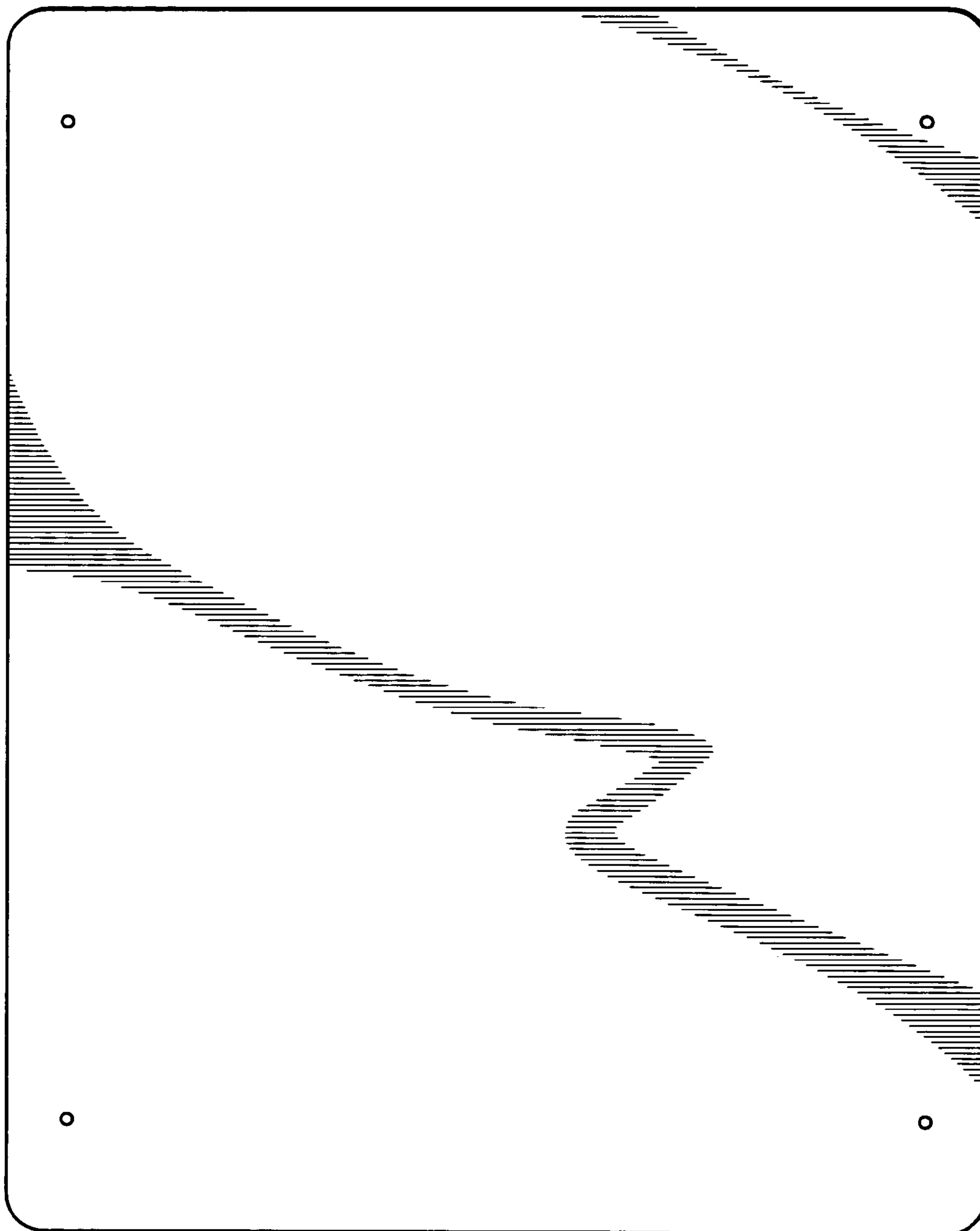
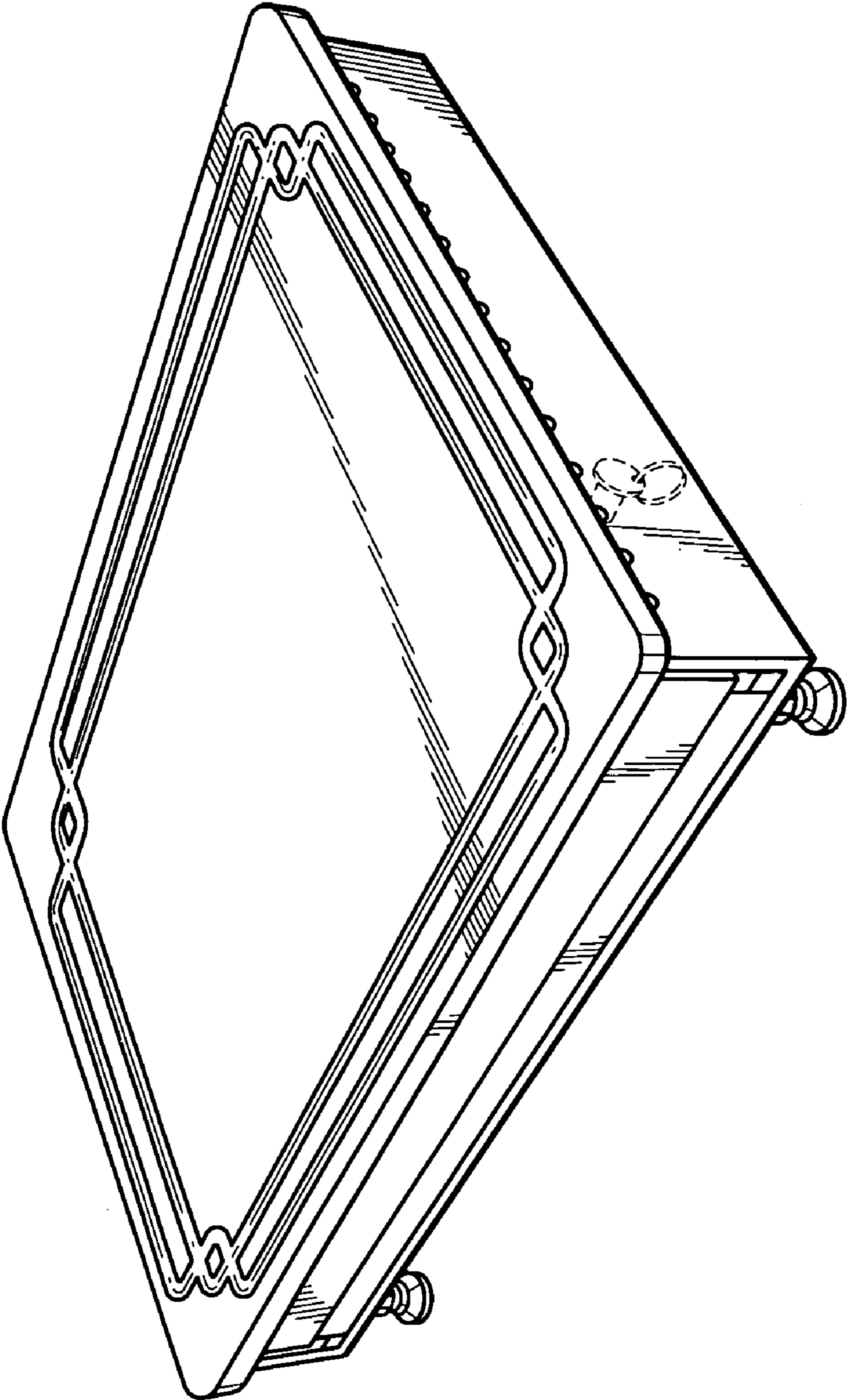


FIG. 8

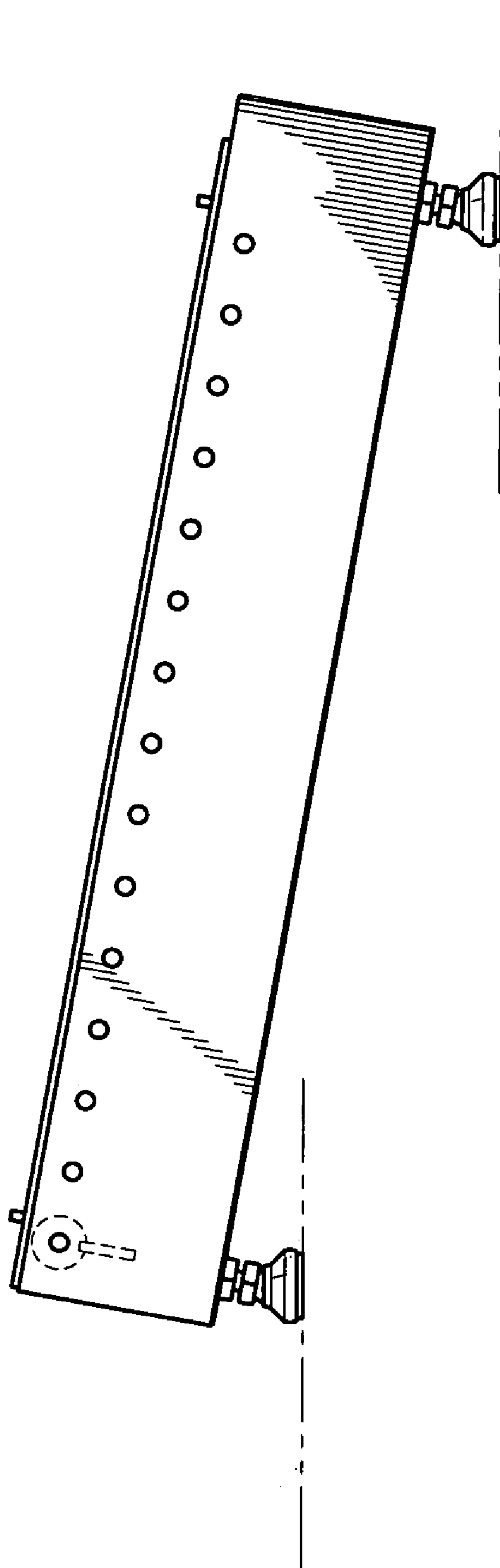




**FIG. 9**



**FIG. 10**



**FIG. 11**