



US00D611160S

(12) **United States Design Patent**
Fernie et al.

(10) **Patent No.:** **US D611,160 S**
(45) **Date of Patent:** **** Mar. 2, 2010**

(54) **LIGHT THERAPY APPARATUS**

(75) Inventors: **Douglas Fernie**, Cambridgeshire (GB);
Paul John Robbins, Norfolk (GB);
Nicholas Ian Harvey, Norfolk (GB);
Richard James Andrews, Norfolk (GB)

(73) Assignee: **Outside In (Cambridge) Ltd.**,
Cambridgeshire (GB)

(**) Term: **14 Years**

(21) Appl. No.: **29/328,634**

(22) Filed: **Nov. 26, 2008**

(30) **Foreign Application Priority Data**

Jul. 31, 2008 (EP) 00980032

(51) **LOC (9) Cl.** **28-03**

(52) **U.S. Cl.** **D24/209**

(58) **Field of Classification Search** D24/158,
D24/200, 209, 210; 362/555, 545, 800, 294,
362/249, 267; D26/28, 49, 67, 104; 606/2-4;
607/89-90

See application file for complete search history.

(56) **References Cited**

U.S. PATENT DOCUMENTS

D204,557 S * 4/1966 Bergmans D24/210
D480,480 S * 10/2003 Lomberg et al. D24/209
6,875,225 B1 * 4/2005 Pederson et al. 607/88
D510,627 S * 10/2005 Lomberg et al. D24/209
D545,973 S * 7/2007 Powell et al. D24/209
D599,485 S * 9/2009 Burrows et al. D24/209
2004/0249423 A1 * 12/2004 Savage 607/88

* cited by examiner

Primary Examiner—Cathron C Brooks

Assistant Examiner—Melanie Levy

(74) *Attorney, Agent, or Firm*—Knobbe, Martens, Olson &
Bear, LLP

(57) **CLAIM**

The ornamental design for a light therapy apparatus, as shown and described.

DESCRIPTION

FIG. 1 is a front side elevational view of an embodiment of the light therapy apparatus of the present design, with the stabilizer portion partially extended;

FIG. 2 is a rear side elevational view of the light therapy apparatus of FIG. 1, with the stabilizer portion partially extended;

FIG. 3 is a top side elevational view of the light therapy apparatus of FIG. 1, with the stabilizer portion partially extended;

FIG. 4 is a right side elevational view of the light therapy apparatus of FIG. 1, with the stabilizer portion partially extended;

FIG. 5 is a left side elevational view of the light therapy apparatus of FIG. 1, with the stabilizer portion partially extended;

FIG. 6 is a front side, right side, and top side perspective view of the light therapy apparatus of FIG. 1, with the stabilizer portion partially extended;

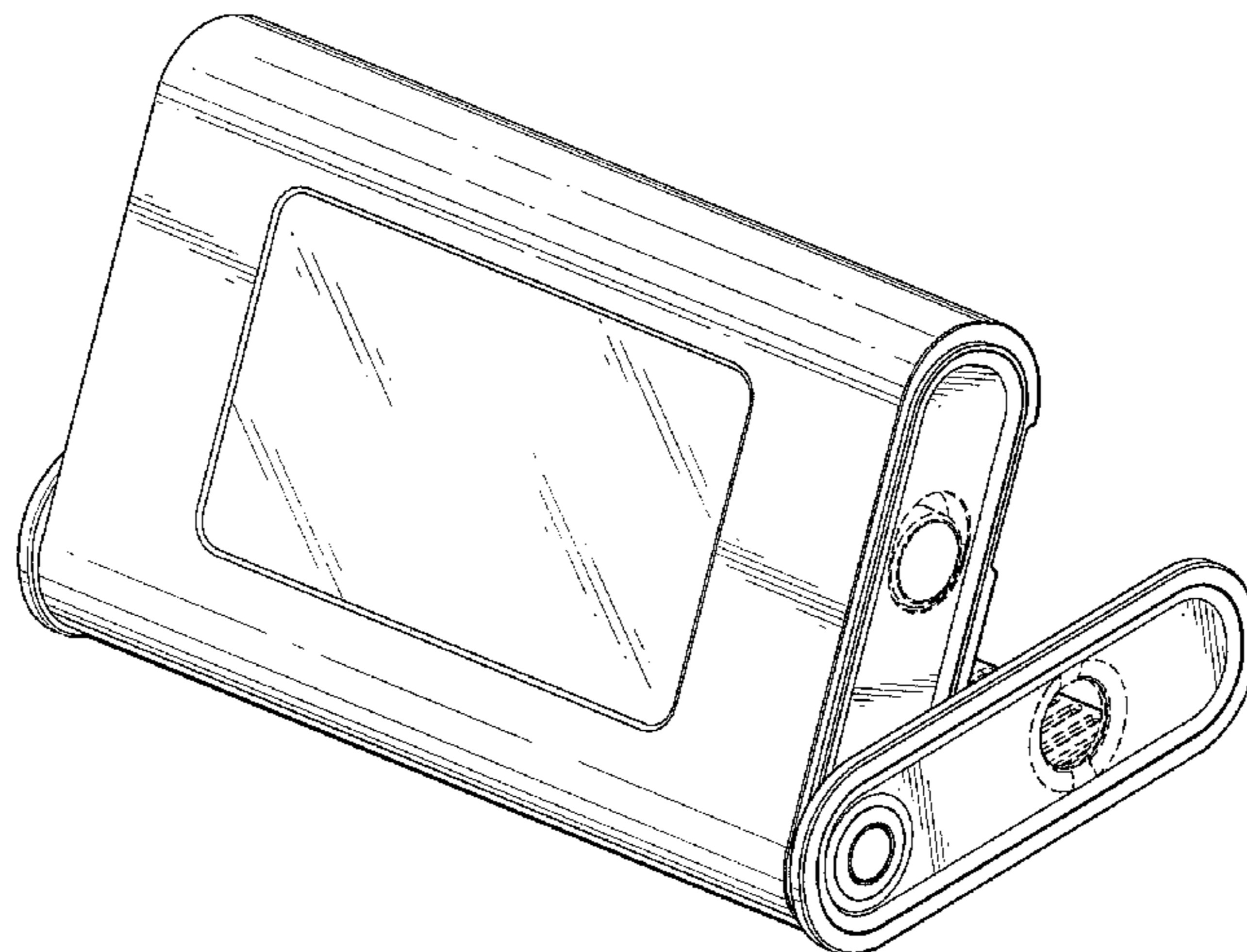
FIG. 7 is a front side, right side, and top side perspective view of the light therapy apparatus of FIG. 1, with the stabilizer portion not partially extended;

FIG. 8 is a right side elevational view of the light therapy apparatus of FIG. 1, with the stabilizer portion not partially extended; and,

FIG. 9 is a left side elevational view of the light therapy apparatus of FIG. 1, with the stabilizer portion not partially extended.

The broken lines of FIGS. 2-8 are for the purpose of illustrating structure of the light therapy apparatus that form no part of the claimed design and that are unclaimed subject matter.

1 Claim, 5 Drawing Sheets



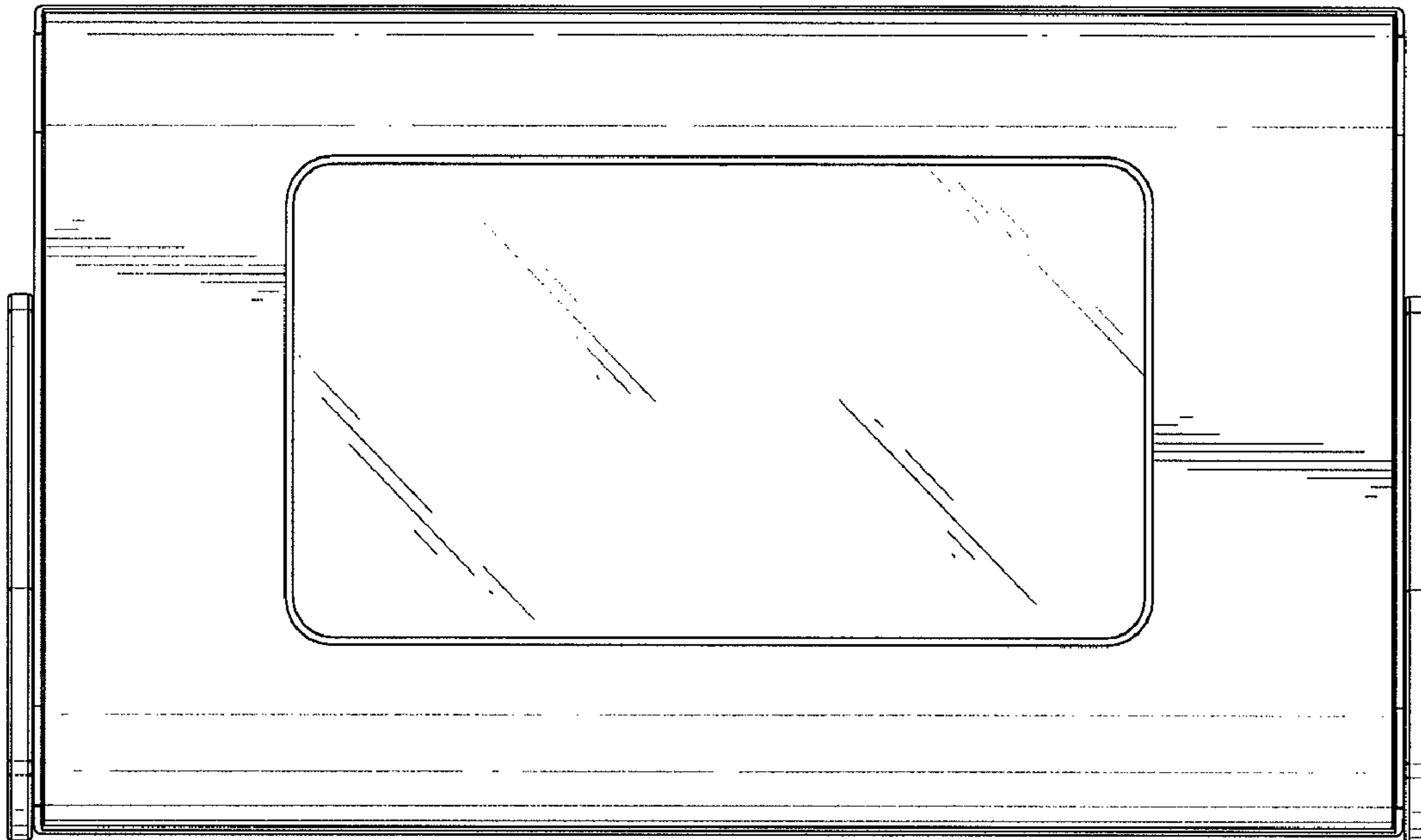


FIG. 1

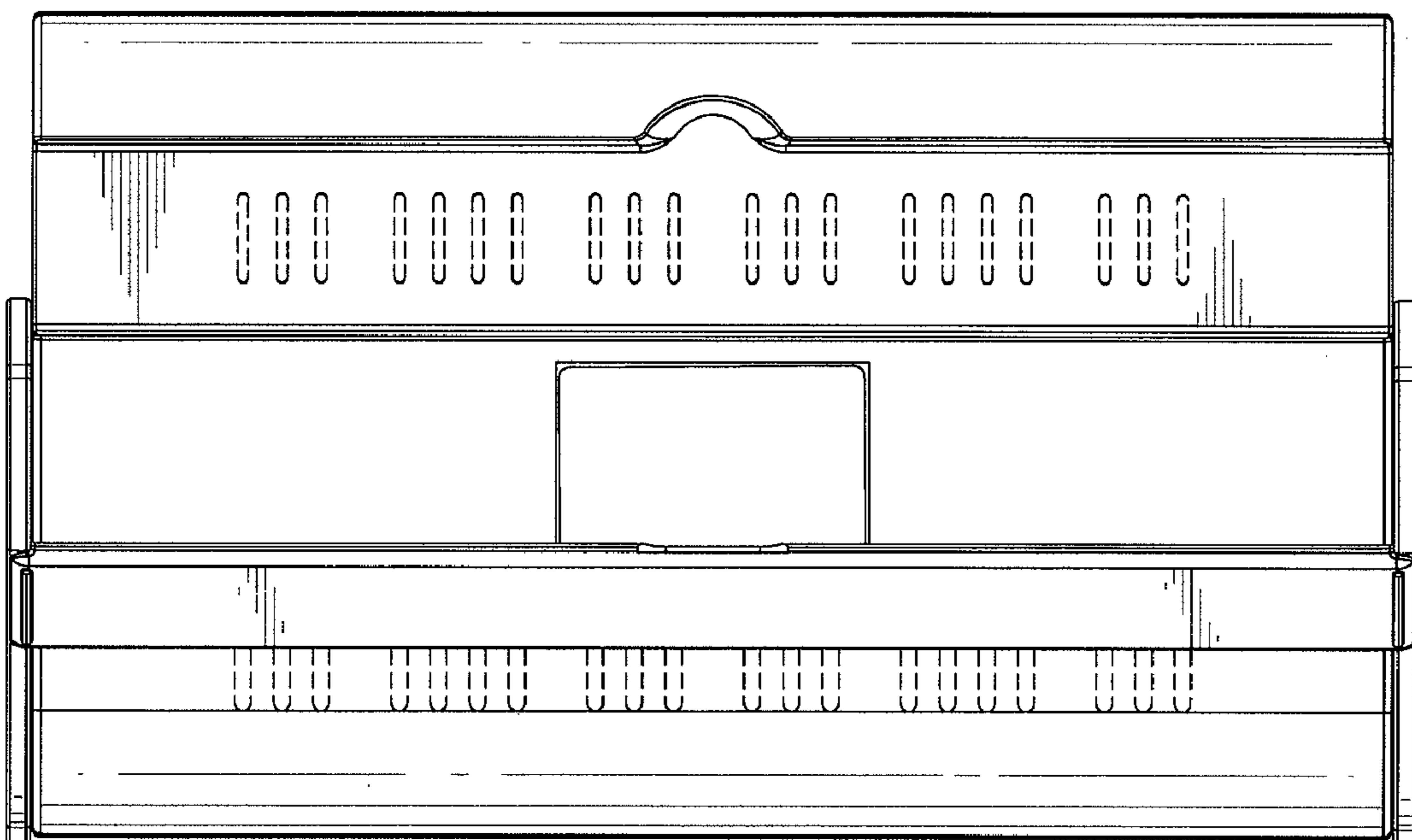


FIG. 2

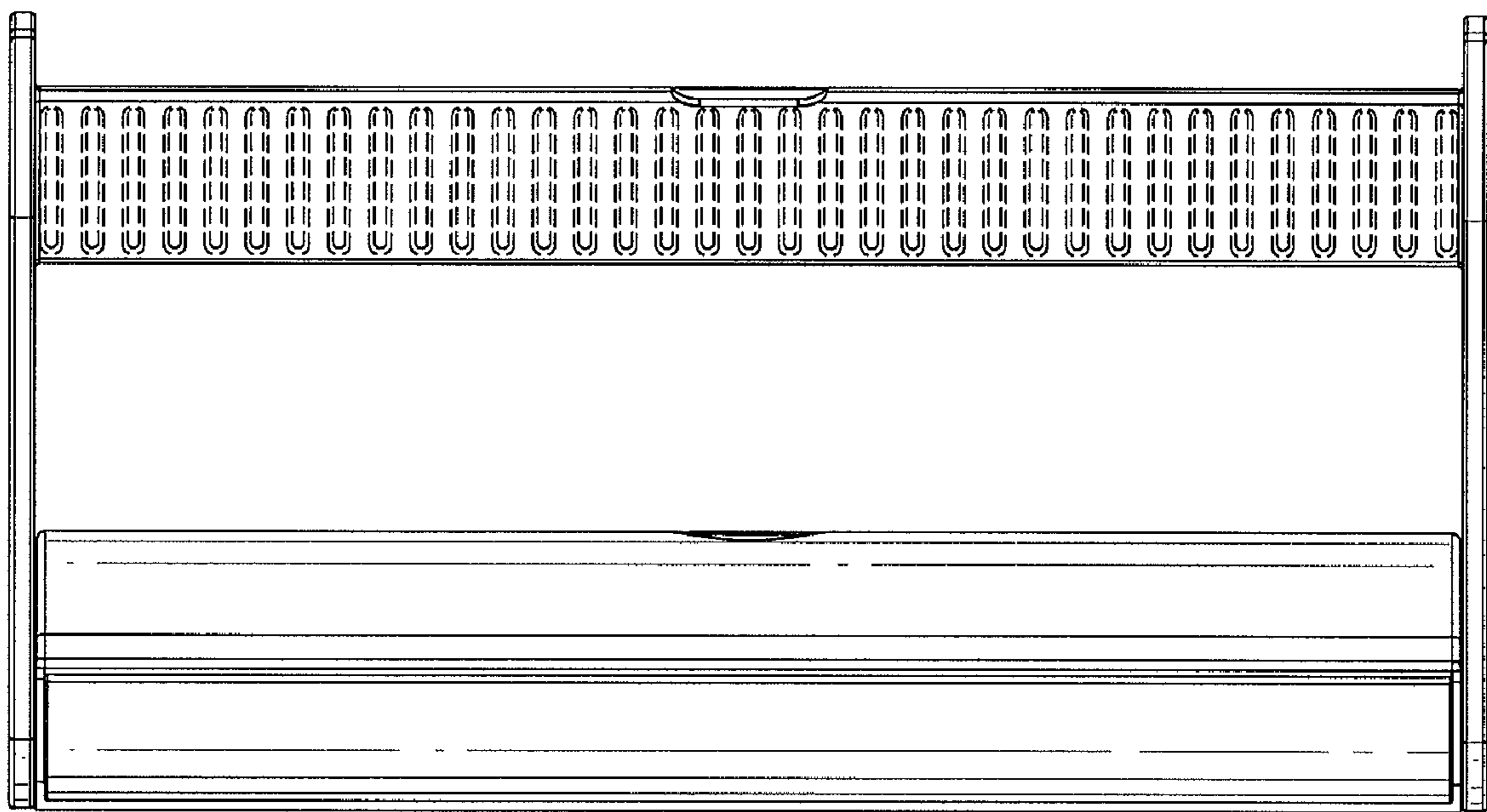


FIG. 3

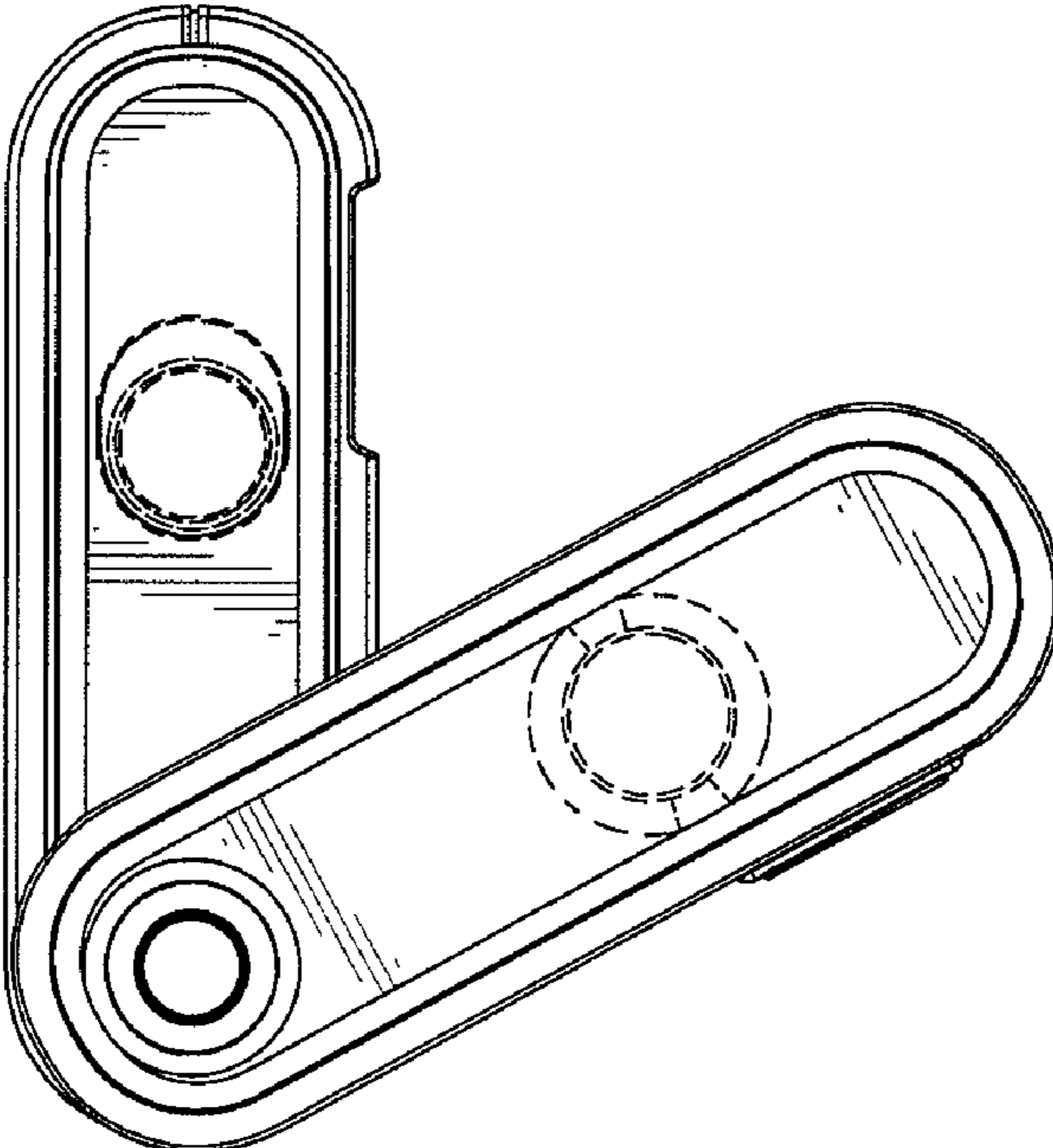


FIG. 4

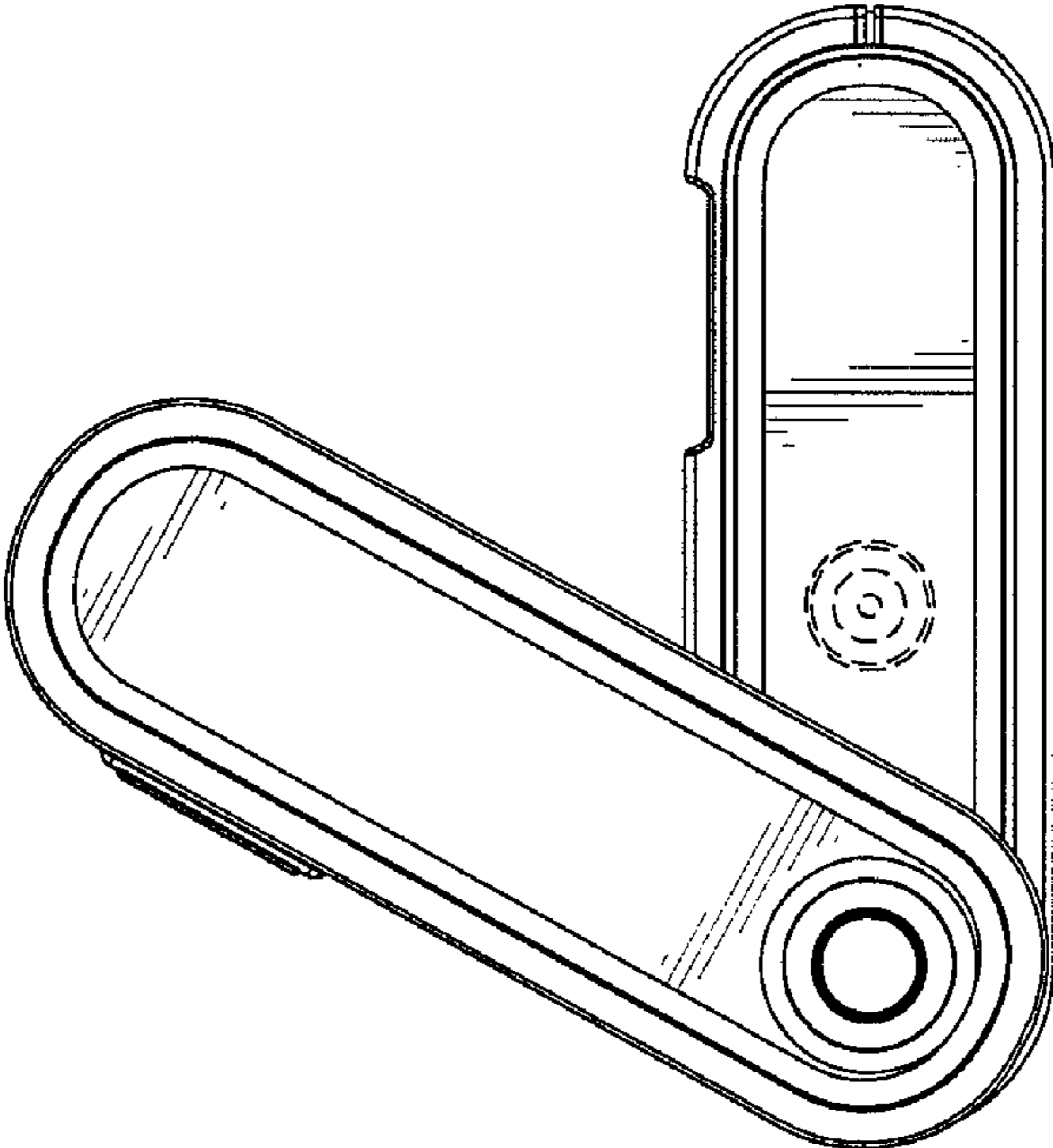


FIG. 5

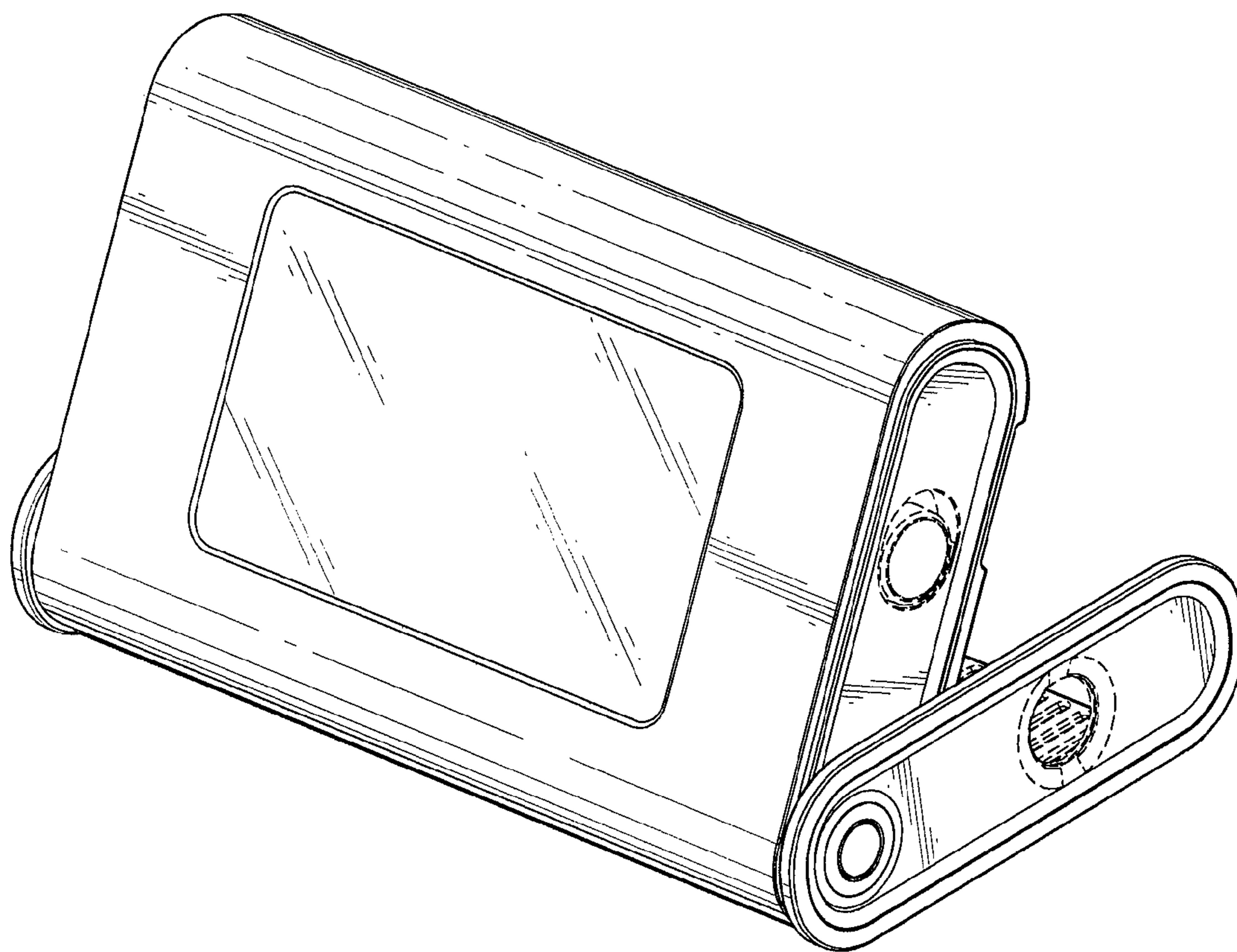


FIG. 6

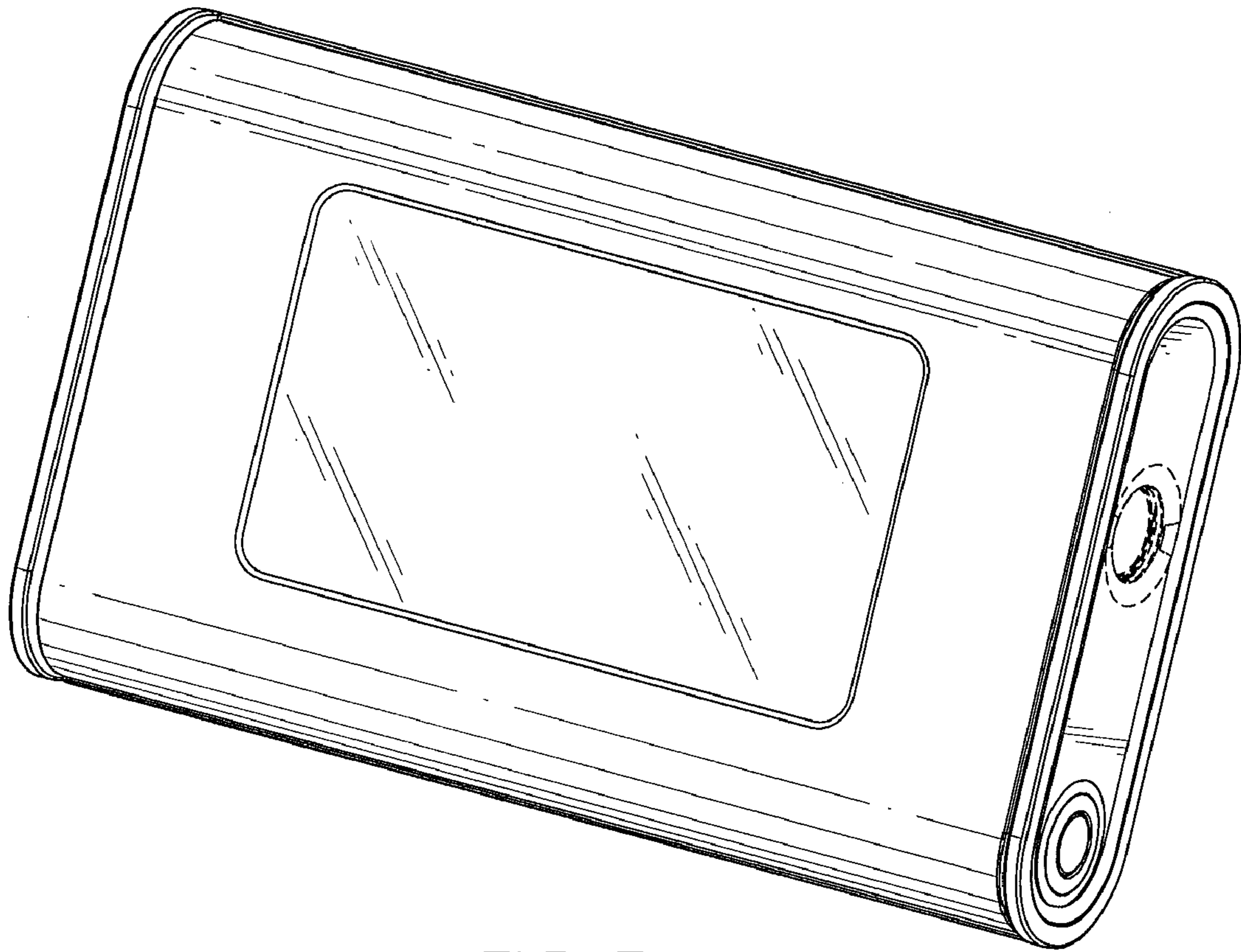


FIG. 7

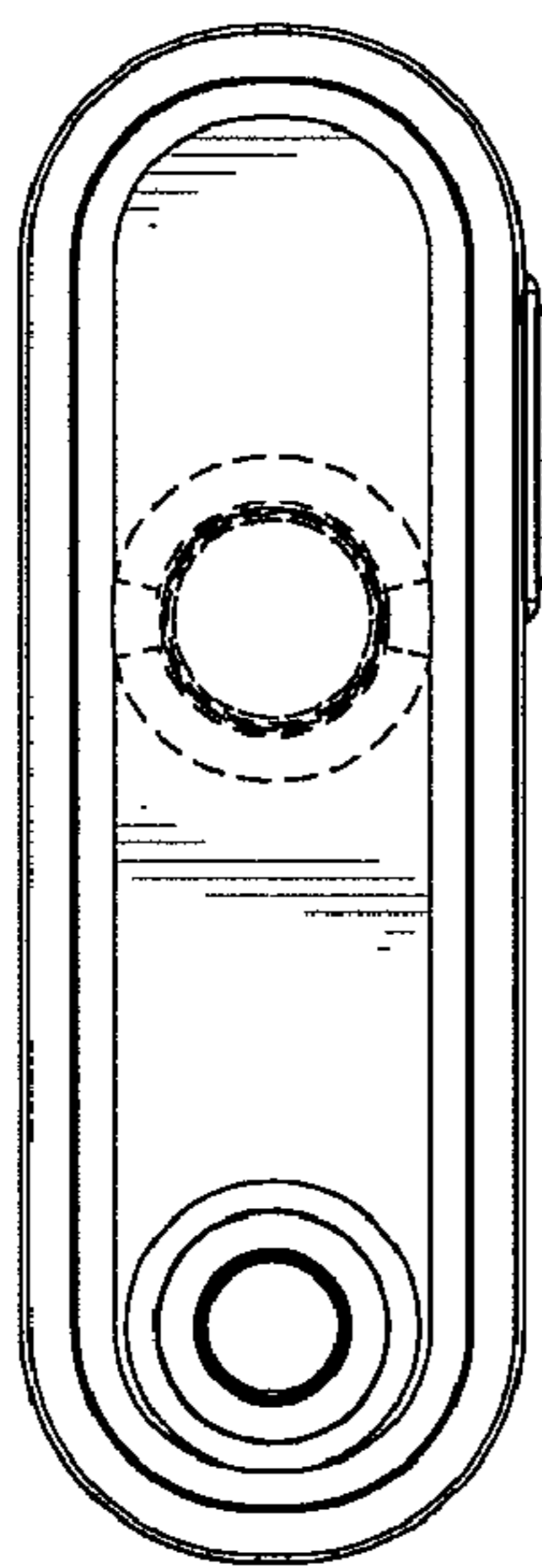


FIG. 8

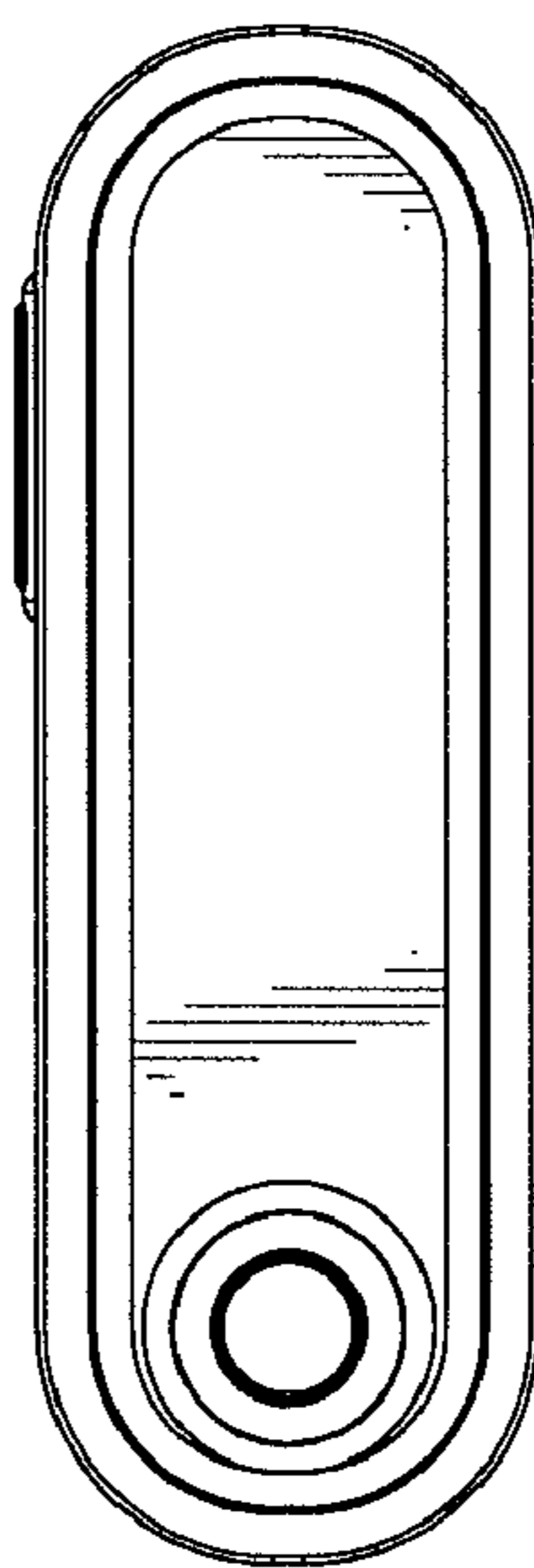


FIG. 9