



US00D611156S

(12) **United States Design Patent**
Dunshee

(10) **Patent No.:** **US D611,156 S**
(45) **Date of Patent:** **** Mar. 2, 2010**

(54) **BANDAGE**

2,823,673 A * 2/1958 Schladermundt et al. 602/57
2,826,200 A * 3/1958 Brien et al. 604/375

(75) Inventor: **Wayne K. Dunshee**, Maplewood, MN
(US)

(Continued)

(73) Assignee: **3M Innovative Properties Company**,
St. Paul, MN (US)

FOREIGN PATENT DOCUMENTS

CN 3530953D 5/2006

(Continued)

(**) Term: **14 Years**

OTHER PUBLICATIONS

(21) Appl. No.: **29/261,301**

Band-Aid®, Water Block Plus® Bandage, by Johnson & Johnson,
believed to have been on sale more than one year prior to the filing
date of the instant application.

(22) Filed: **Jun. 12, 2006**

(Continued)

(51) **LOC (9) Cl.** **24-04**

(52) **U.S. Cl.** **D24/189**

(58) **Field of Classification Search** D24/188,
D24/189; 602/41-47, 48, 54-56, 57, 58,
602/59; 424/630-638; 514/499, 500; 600/9-15;
428/40.1, 43, 57, 139, 343, 352; 206/438,
206/440, 441

Primary Examiner—T. Chase Nelson
Assistant Examiner—Michelle E Wilson
(74) *Attorney, Agent, or Firm*—Lisa P. Fulton

See application file for complete search history.

(57) **CLAIM**

(56) **References Cited**

The ornamental design for a bandage, as shown and
described.

U.S. PATENT DOCUMENTS

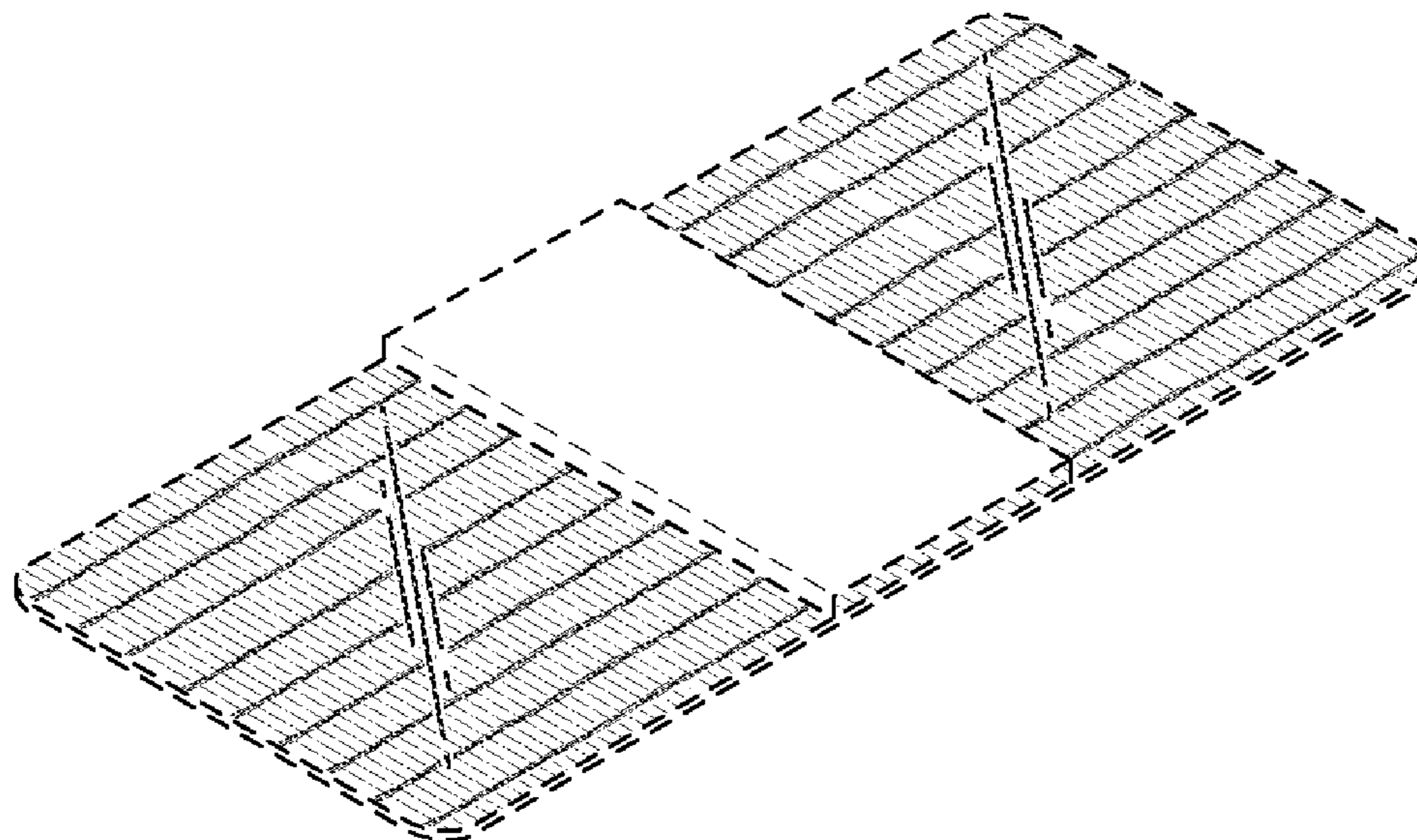
DESCRIPTION

1,949,271 A	2/1934	Duhamel	
2,068,703 A	1/1937	Powdermaker	
2,172,455 A	9/1939	Samuel	
2,280,506 A *	4/1942	Betts	128/894
2,402,982 A	7/1946	Steenbergen	
2,432,541 A	12/1947	Peck	
2,529,060 A	11/1950	Trillich	
2,532,011 A	11/1950	Dahlquist et al.	
2,627,341 A	2/1953	Morgan	
2,676,702 A	4/1954	Whitefoot, Jr.	
2,703,083 A	3/1955	Gross	
2,721,550 A	10/1955	Banff	
2,734,503 A	2/1956	Doyle	
2,752,038 A	6/1956	Abbott	
2,806,593 A	9/1957	Abbott	

FIG. 1 is a perspective view of a bandage showing my new
design;
FIG. 2 is a bottom view of the invention of FIG. 1;
FIG. 3 is a side view of the invention of FIG. 1 (the view from
the other side is a mirror image);
FIG. 4 is an end view of the invention of FIG. 1 (the view from
the other end is a mirror image); and,
FIG. 5 is top view of the invention of FIG. 1.

The broken lines depict portions of the bandage that form no
part of the claimed design.

1 Claim, 1 Drawing Sheet



EP	0 066 899	12/1982	Límová et al.; "Clinical Evaluation of Two Hydrocolloid Dressings in the Management of Venous Insufficiency Ulcers"; 3M Health Care; Form No. 70-200809650-7(76.25)ii; 1996.
EP	0 081 990	6/1983	
EP	0 161 865	11/1985	Brochure "3M Tegaserb™ Hydrocolloid Dressing 3M Tegaserb™ Thin Hydrocolloid Dressing Product Profile"; 3M Health Care; Form No. 70-2008-3817-8(861)ii; 1996.
EP	0 236 104	9/1987	
EP	0 303 422	2/1989	
EP	0 465 023	1/1992	Flyer "Tegaserb™ Ulcer Dressing"; Medical-Surgical Division 3M Health Care; Form No. 70-2008-2728-8 (301)ii; 1990.
EP	0 541 251	5/1993	Flyer "3M Tegaserb™ Thin hydrocolloid dressing"; 3M Health Care; Form No. 70-2008-6475-2(43.5)ii; 1993.
GB	2 120 104	11/1983	
GB	2 131 299	6/1984	Flyer "3M Tegaderm™ ulcer dressing" Medical-Surgical Division 3M Health Care; Form No. 70-2008-4530-6(5115)VP; 1991.
JP	59-214449	12/1984	Brochure "Wound Care"; Medical-Surgical Division 3M Health Care; Form No. 70-2008-4526-4(70.8)VP; 2-90.
JP	0907566	9/1994	Flyer "3M Tegaderm™ 1624W transparent dressing"; 3M Health Care; Form No, 70-2008-6769-8(73.75)ii; 1993.
JP	D1038068	5/1999	Flyer "3M Tegaderm Transparent Dressing"; 3M Health Care; Form No. 70-2008-7408-2(644)ii; 1994.
JP	D1264231	3/2006	Brochure "Tegaderm™ Transparent Dressing—Suggested Applications and Special Techniques"; 3M Health Care; Form No. 70-2008-5413-4(321.5)11; Oct. 1991.
KR	30-0335503	10/2003	
TW	552061	10/1991	
TW	D 100649	6/1992	
WO	WO 94/21207	9/1994	
WO	WO 98/00080	1/1998	
WO	2005/112852	12/2005	

OTHER PUBLICATIONS

Fey et al., "Chapter 18—Silicone Release Coatings"; Handbook of Pressure-Sensitive Adhesive Technology; 1982; pp. 384-403.

* cited by examiner

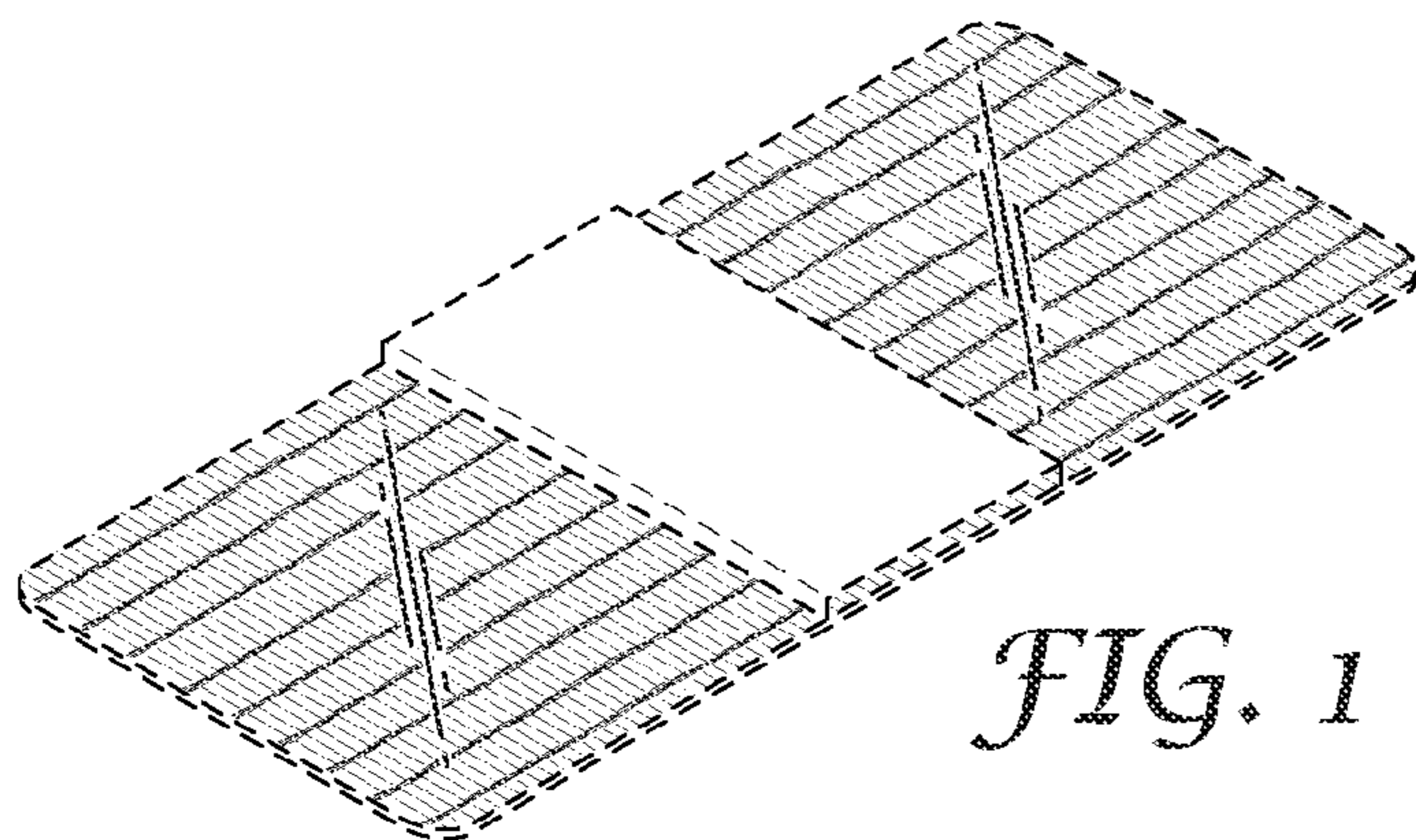


FIG. 1

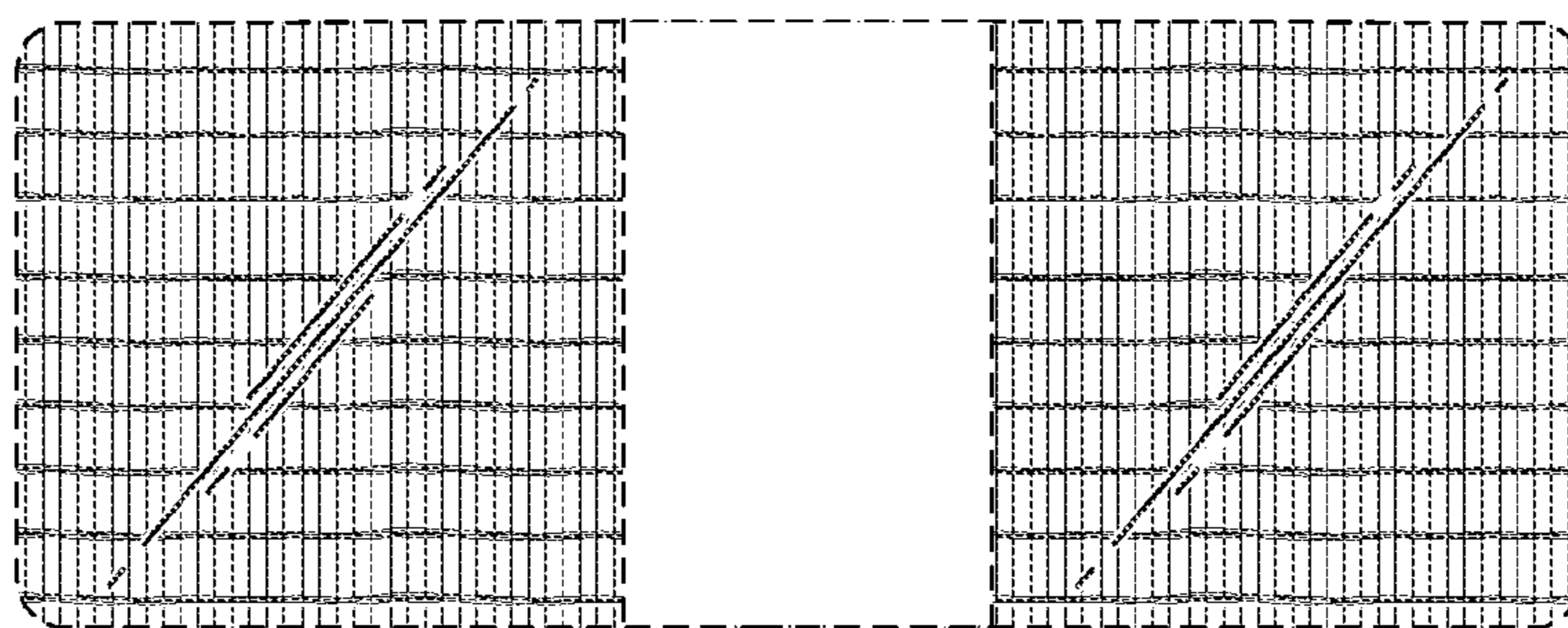


FIG. 2

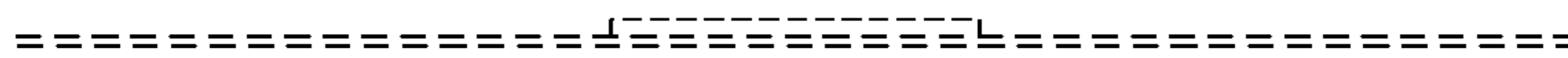


FIG. 3

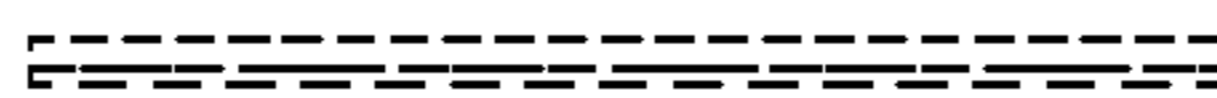


FIG. 4

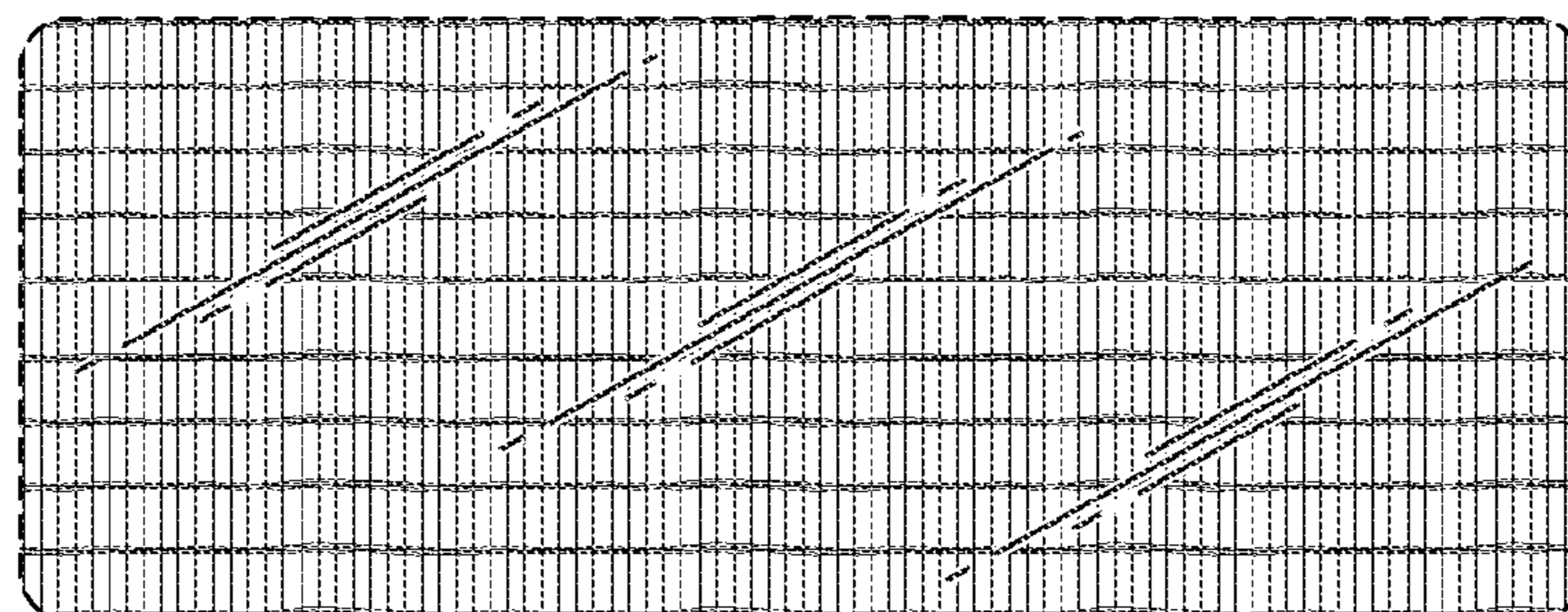


FIG. 5