



US00D611154S

(12) **United States Design Patent**
Kopf

(10) **Patent No.:** **US D611,154 S**
(45) **Date of Patent:** **** Mar. 2, 2010**

(54) **MEDICAL TRAINING APPARATUS**

(75) Inventor: **Peter Kopf**, Eberhardzell (DE)

(73) Assignee: **Medica-Medizintechnik GmbH**,
Hochdorf (DE)

(**) Term: **14 Years**

(21) Appl. No.: **29/307,207**

(22) Filed: **Apr. 4, 2008**

(30) **Foreign Application Priority Data**

Nov. 5, 2007 (EM) 000820402

(51) **LOC (9) Cl.** **24-04**

(52) **U.S. Cl.** **D24/188**

(58) **Field of Classification Search** D24/188;
601/24, 23; 482/148, 142, 130; D21/191,
D21/194

See application file for complete search history.

(56) **References Cited**

U.S. PATENT DOCUMENTS

4,602,619 A * 7/1986 Wolf et al. 606/241
4,637,604 A * 1/1987 Burt DuPont 482/148
4,662,361 A * 5/1987 Patterson 601/24
4,944,506 A * 7/1990 Keller et al. 482/54

D316,297 S * 4/1991 Neumeister D24/107
D362,911 S * 10/1995 Helms D24/188
D399,567 S * 10/1998 Affholter D24/188
D475,757 S * 6/2003 Silverman et al. D21/673
D513,438 S * 1/2006 McNeice D24/188

* cited by examiner

Primary Examiner—Holly H Baynham
Assistant Examiner—Michelle E Wilson
(74) *Attorney, Agent, or Firm*—Collard & Roe, P.C.

(57) **CLAIM**

The ornamental design for a medical training apparatus, as shown and described.

DESCRIPTION

FIG. 1 shows a perspective view of my design for a medical training apparatus;

FIG. 2 shows a rear view thereof;

FIG. 3 shows a front view thereof;

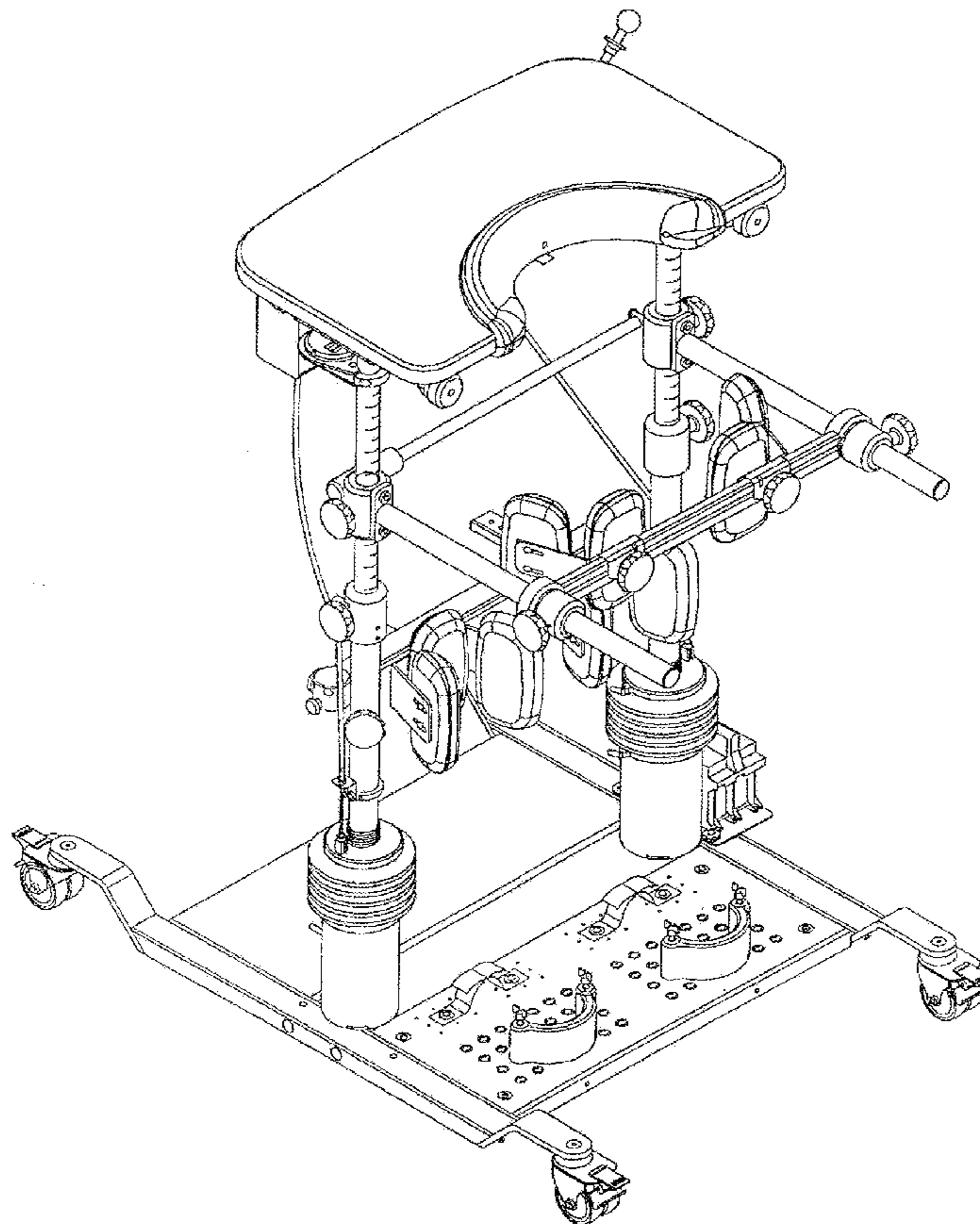
FIG. 4 shows a left side view thereof;

FIG. 5 shows a right side view thereof;

FIG. 6 shows a top view thereof; and,

FIG. 7 shows a bottom view thereof.

1 Claim, 7 Drawing Sheets



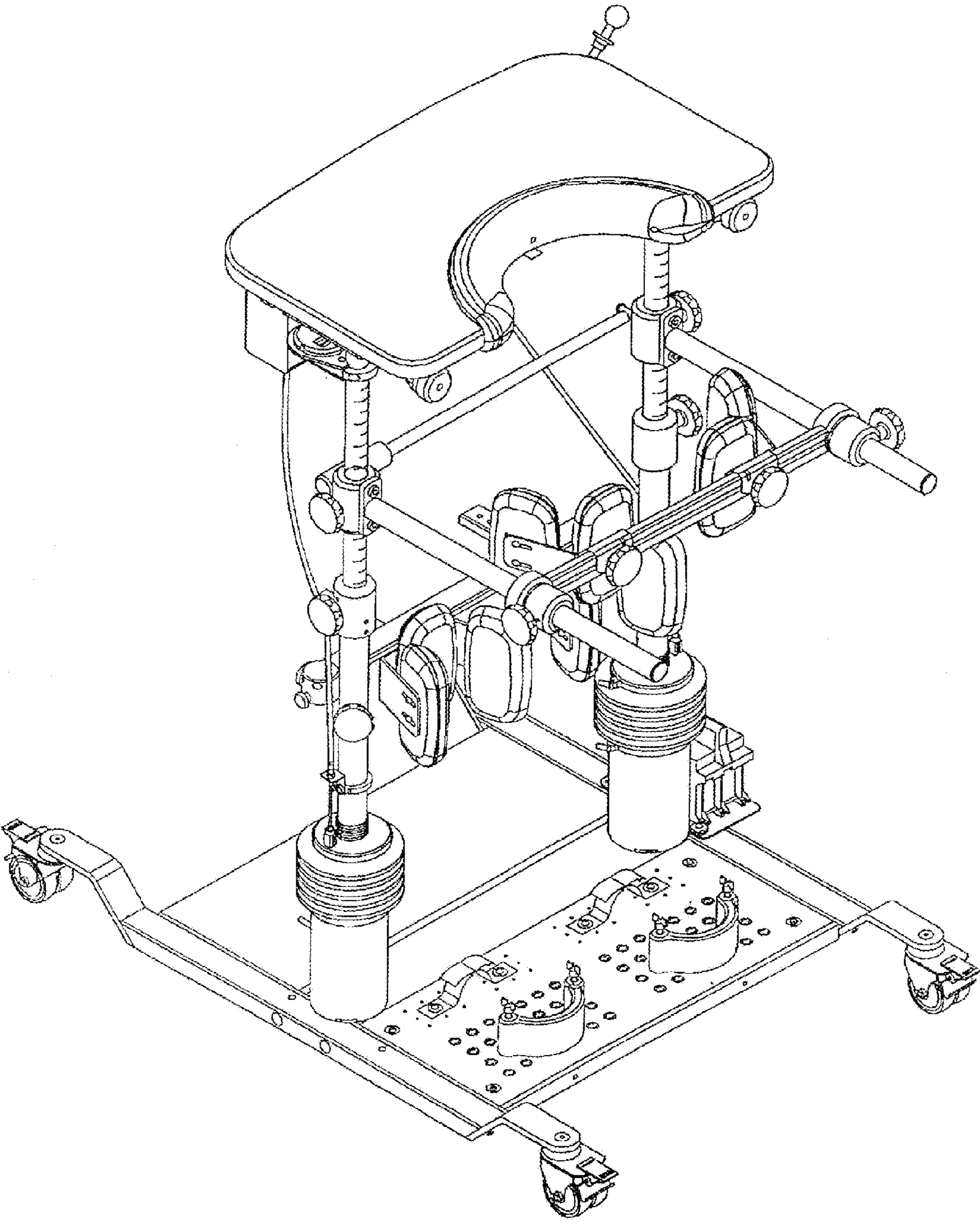


FIG. 1

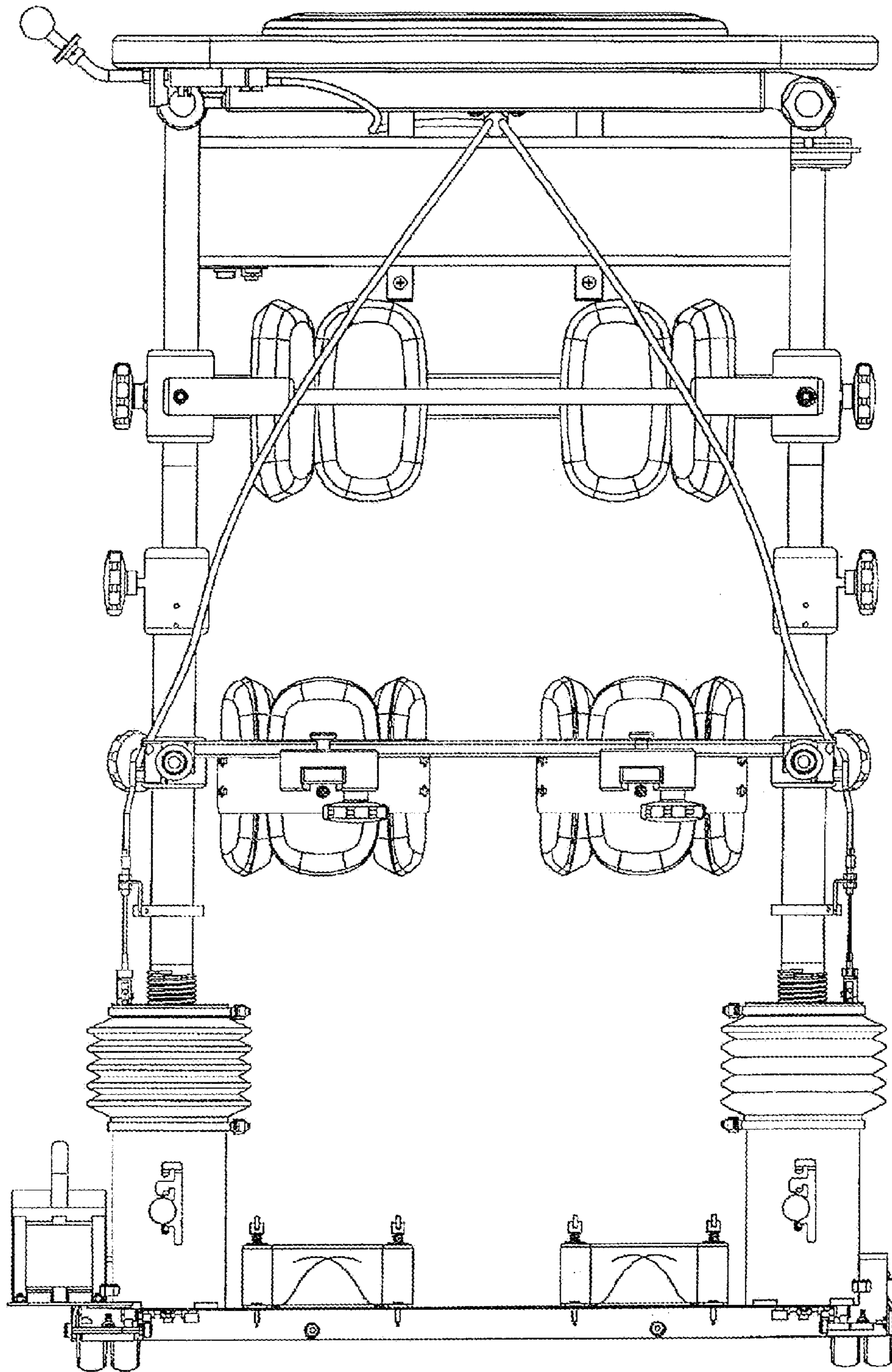


FIG. 2

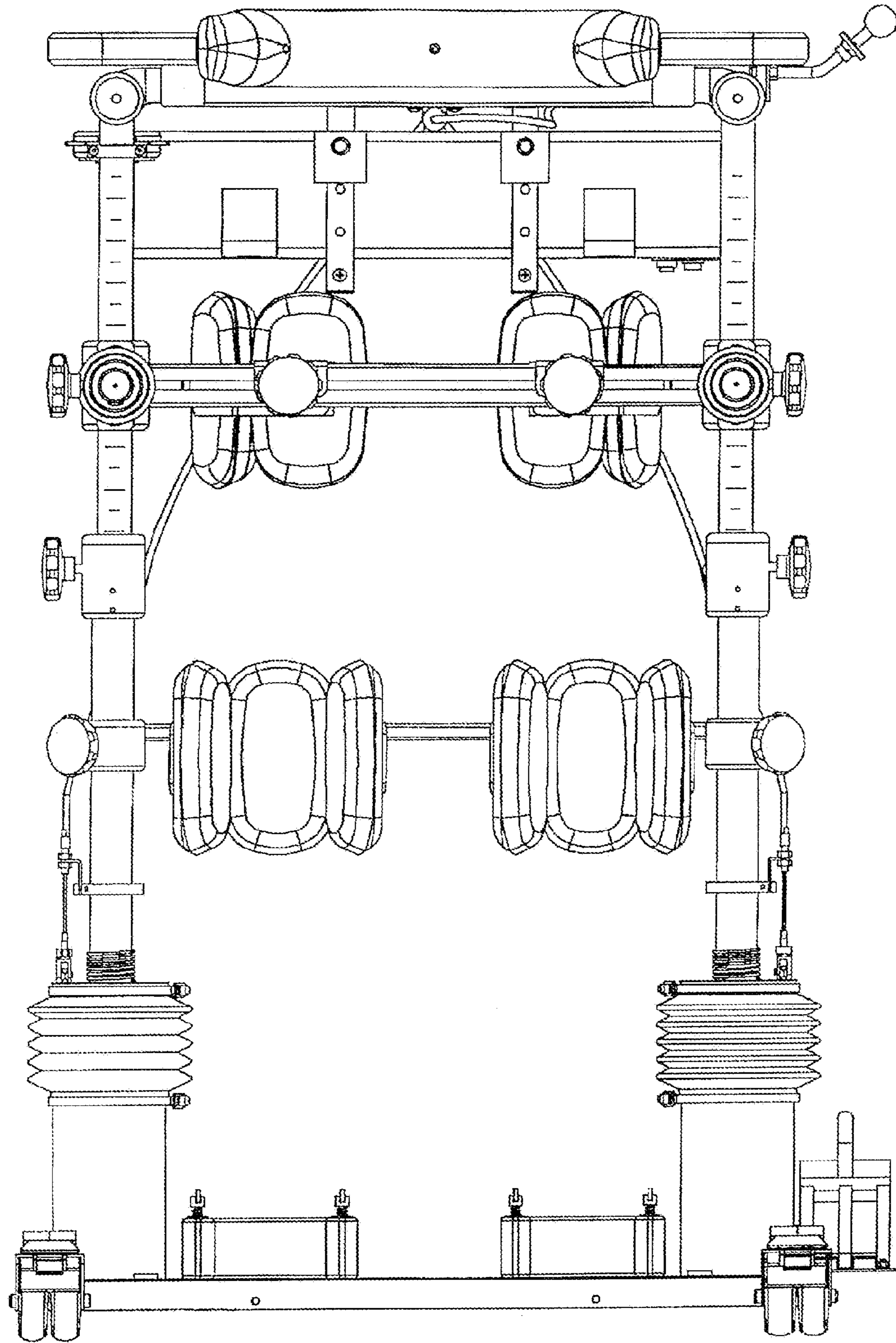


FIG. 3

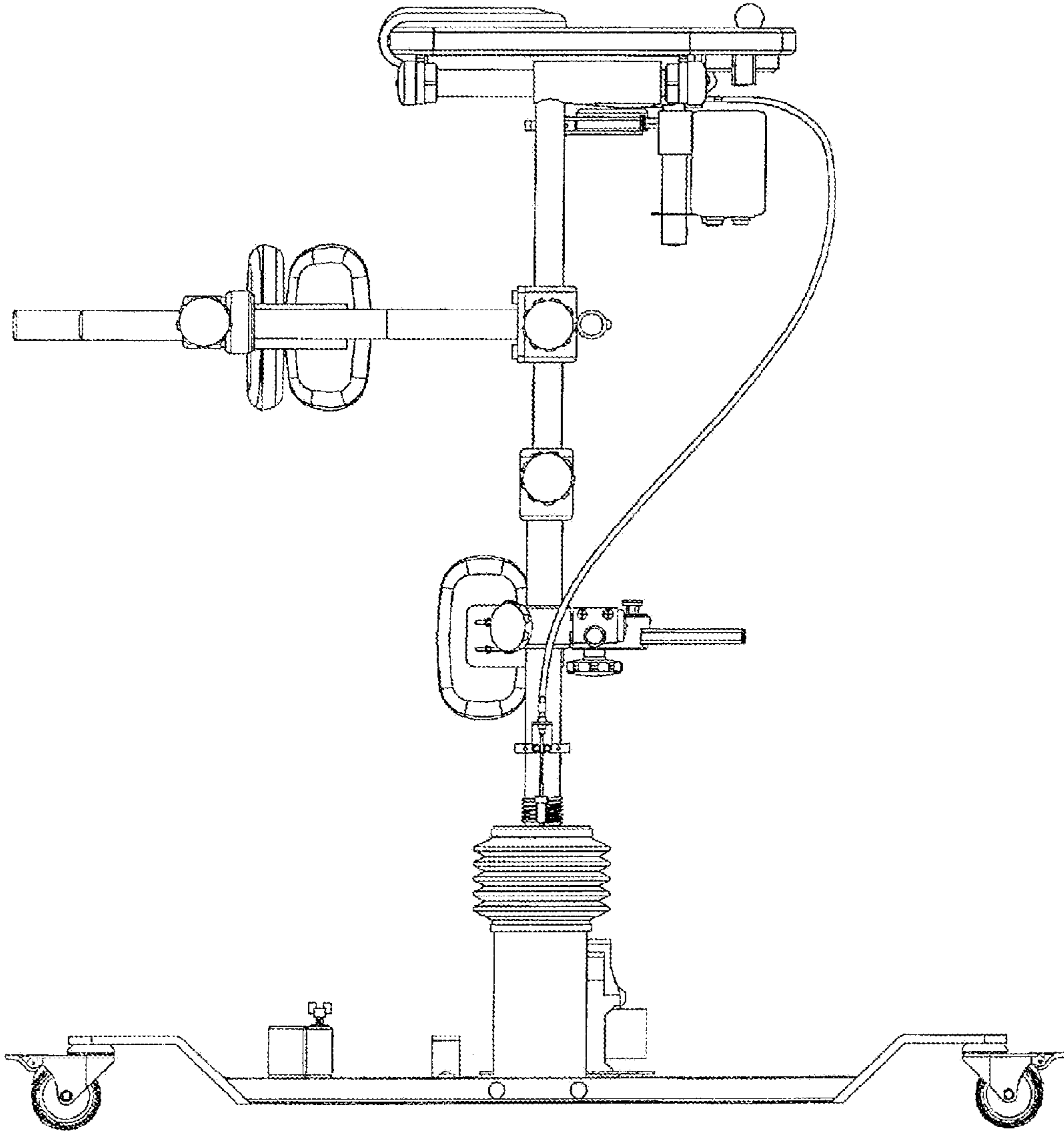


FIG. 4

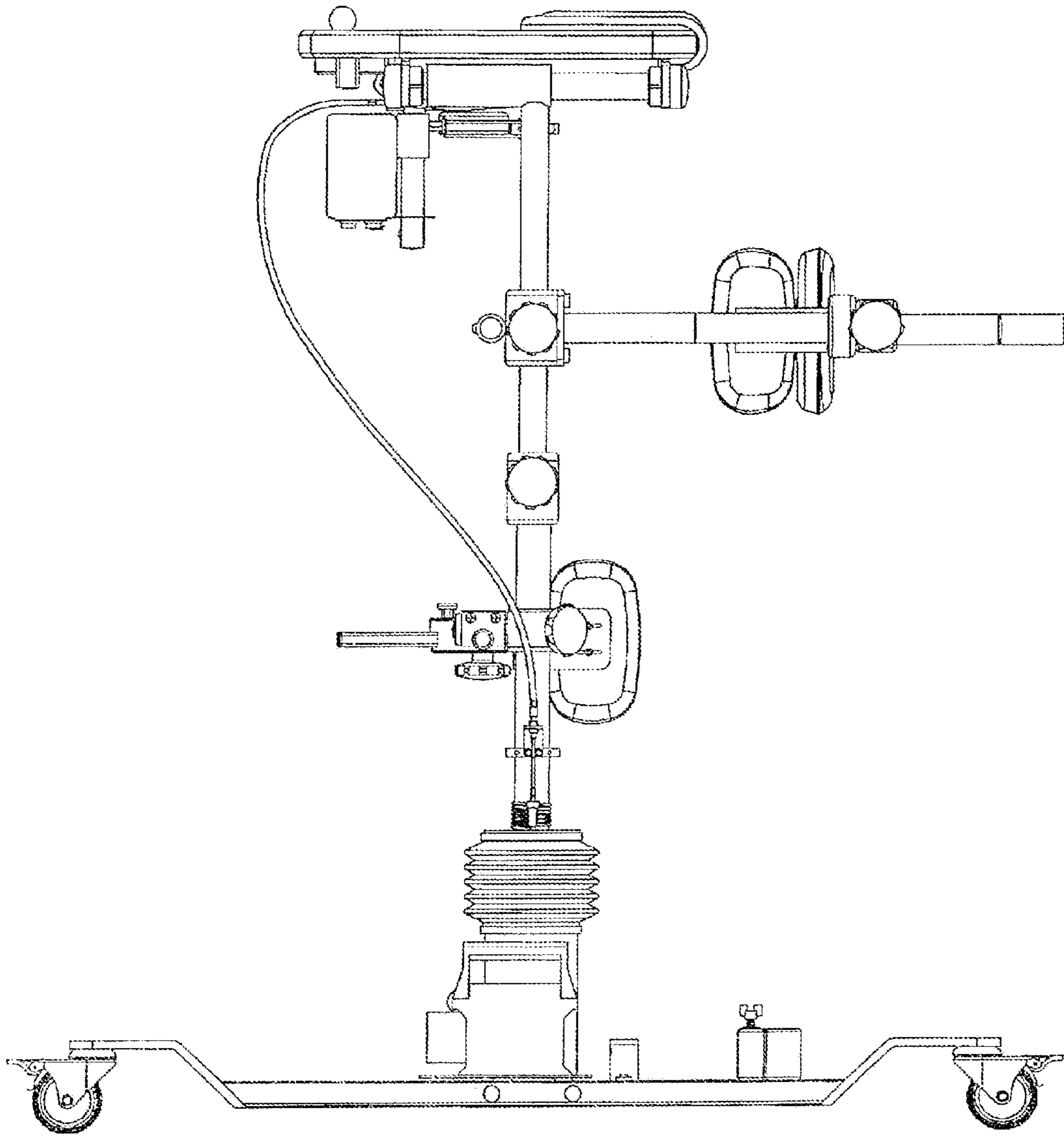


FIG. 5

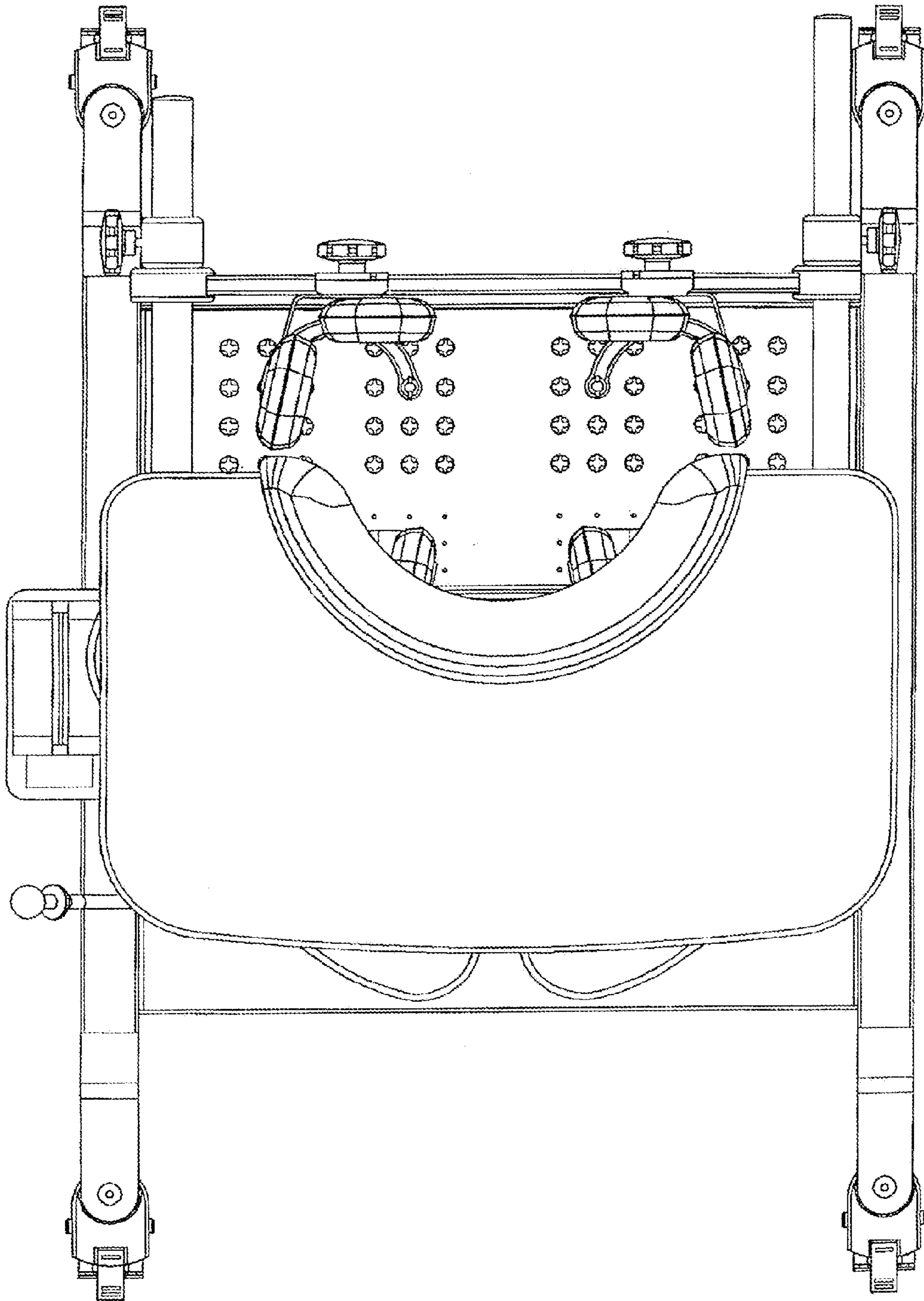


FIG. 6

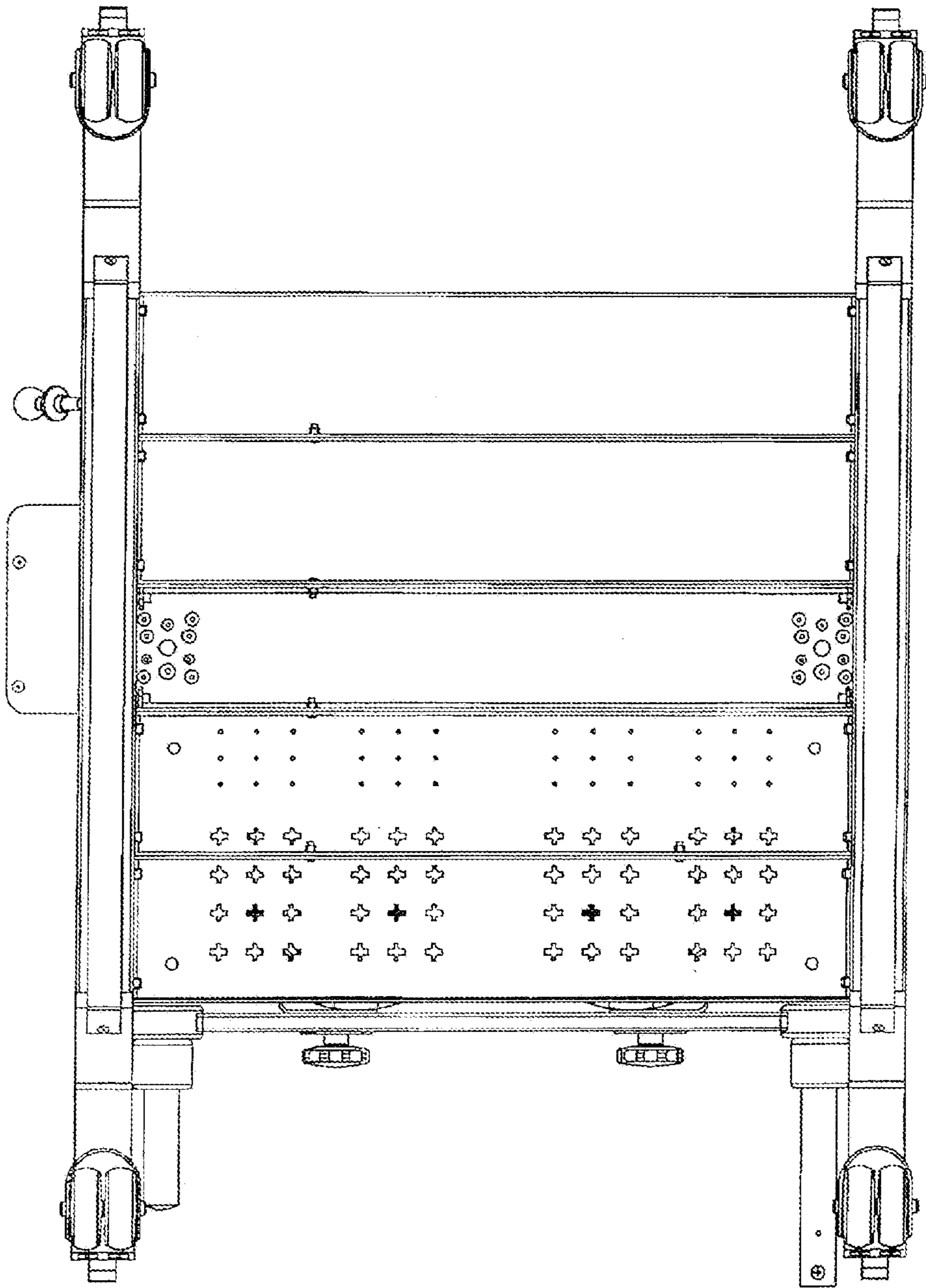


FIG. 7