



US00D611152S

(12) **United States Design Patent**  
**Updyke et al.**

(10) **Patent No.:** **US D611,152 S**  
(45) **Date of Patent:** **\*\* Mar. 2, 2010**

(54) **DIALYSIS SYSTEM SORBENT CARTRIDGE MOUNT**

FOREIGN PATENT DOCUMENTS

EP 0 278 100 8/1988

(Continued)

(75) Inventors: **Palmer David Updyke**, Walnut Creek, CA (US); **James Matthew Mullner**, Hudson, OH (US); **David Robert Sauers**, Rural Ridge, PA (US); **John Anthony Triolo**, Pittsburgh, PA (US); **Douglas Mark Zatezalo**, Allison Park, PA (US)

OTHER PUBLICATIONS

"*RX Guide to Custom Dialysis*," COBE Renal Care Inc., Revision E. Sep. 1993.

(Continued)

(73) Assignee: **Fresenius Medical Care Holdings, Inc.**, Waltham, MA (US)

*Primary Examiner*—T. Chase Nelson

*Assistant Examiner*—Anhdao Doan

(74) *Attorney, Agent, or Firm*—Fish & Richardson P.C.

(\*\*) Term: **14 Years**

(21) Appl. No.: **29/337,248**

(22) Filed: **May 18, 2009**

(57) **CLAIM**

The ornamental design for a dialysis system sorbent cartridge mount, substantially as shown and described.

(51) **LOC (9) Cl.** ..... **24-01**

(52) **U.S. Cl.** ..... **D24/169**

(58) **Field of Classification Search** ..... D24/107, D24/164, 165, 169, 185, 186, 231, 232, 127, D24/128; D10/78, 81; 210/252, 321.65, 210/645, 646; 604/28, 29, 65, 131; D13/107, D13/108

**DESCRIPTION**

FIG. 1 is a perspective view of a dialysis system sorbent cartridge mount showing our new design.

FIG. 2 is a front view thereof.

FIG. 3 is a rear view thereof.

FIG. 4 is a first side view thereof.

FIG. 5 is a second side view thereof.

FIG. 6 is a top view thereof.

FIG. 7 is a bottom view thereof.

FIG. 8 is a perspective view of the dialysis system sorbent cartridge mount in a folded configuration; and,

FIG. 9 is a perspective view of the dialysis system sorbent cartridge mount in condition of use.

The broken lines in FIGS. 3, 6 and 8 are included for the purpose of illustrating portions of the dialysis system sorbent cartridge mount that form no part of the claimed design. The broken lines in FIG. 9 represent environmental subject matter. None of the broken lines form a part of the claimed design.

See application file for complete search history.

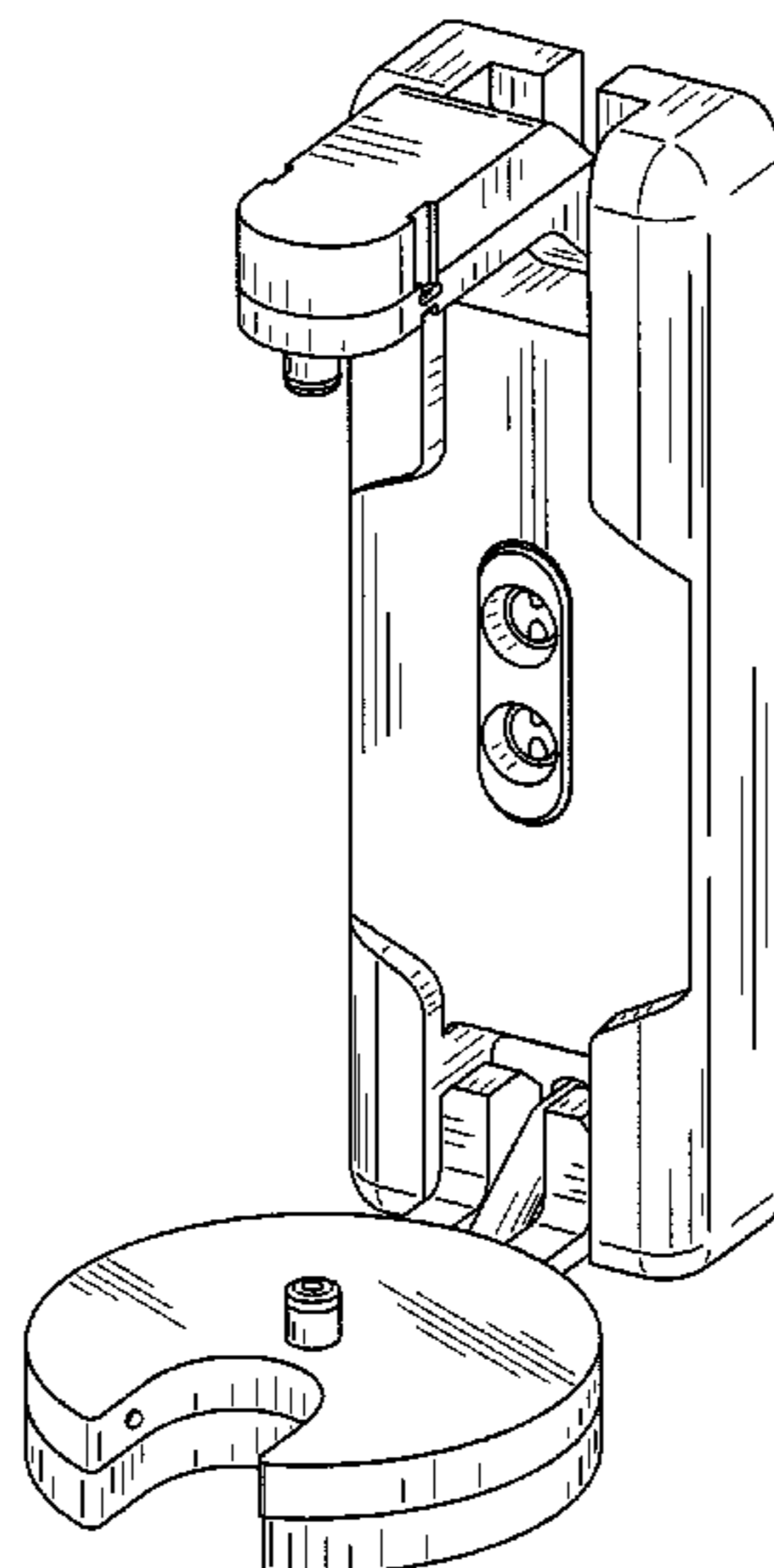
(56) **References Cited**

U.S. PATENT DOCUMENTS

3,871,913	A	3/1975	Shaldon	
D246,465	S *	11/1977	Bruni et al.	D24/169
D251,440	S *	3/1979	Inoue	D24/169
4,174,231	A	11/1979	Hobgood	
4,191,351	A	3/1980	Goyne	
D260,118	S *	8/1981	Hill	D24/164
D274,467	S *	6/1984	Preussner	D24/169
4,581,141	A	4/1986	Ash	
4,666,598	A	5/1987	Heath et al.	
4,684,460	A	8/1987	Issautier	
4,728,496	A	3/1988	Petersen et al.	

(Continued)

**1 Claim, 7 Drawing Sheets**



# US D611,152 S

Page 2

## U.S. PATENT DOCUMENTS

4,770,787 A 9/1988 Heath et al.  
 4,784,495 A 11/1988 Jonsson et al.  
 4,789,467 A 12/1988 Lindsay et al.  
 D308,267 S \* 5/1990 Bradd ..... D32/31  
 4,997,577 A 3/1991 Stewart  
 5,256,371 A 10/1993 Pippert  
 5,262,068 A 11/1993 Bowers et al.  
 5,277,820 A 1/1994 Ash  
 5,304,349 A 4/1994 Polaschegg  
 5,409,612 A 4/1995 Maltais et al.  
 5,421,813 A 6/1995 Ohnishi  
 5,536,412 A 7/1996 Ash  
 5,589,070 A 12/1996 Maltais et al.  
 5,591,344 A 1/1997 Kenley et al.  
 5,603,902 A 2/1997 Maltais et al.  
 5,605,630 A 2/1997 Shibata  
 5,713,125 A 2/1998 Watanabe et al.  
 5,788,099 A 8/1998 Treu et al.  
 5,919,369 A 7/1999 Ash  
 5,944,684 A 8/1999 Roberts et al.  
 6,000,567 A 12/1999 Carlsson et al.  
 6,036,858 A 3/2000 Carlsson et al.  
 6,086,753 A 7/2000 Ericson et al.  
 D434,495 S \* 11/2000 Whalen et al. .... D24/128  
 6,143,181 A 11/2000 Falkvall et al.  
 6,170,785 B1 1/2001 Lampropoulos  
 6,190,855 B1 2/2001 Herman et al.  
 6,277,277 B1 8/2001 Jacobi et al.  
 6,280,632 B1 8/2001 Polaschegg  
 6,308,721 B1 10/2001 Bock et al.  
 6,409,699 B1 6/2002 Ash  
 6,416,293 B1 7/2002 Bouchard et al.  
 6,428,706 B1 8/2002 Rosenqvist et al.  
 6,755,976 B2 6/2004 Rosenqvist et al.  
 6,878,283 B2 4/2005 Thompson  
 7,033,498 B2 4/2006 Wong  
 7,077,956 B2 7/2006 Rovatti  
 7,241,272 B2 7/2007 Karoor et al.  
 D569,981 S \* 5/2008 Collins ..... D24/186  
 D579,553 S \* 10/2008 Crnkovich et al. .... D24/111

D592,304 S \* 5/2009 Kuehfuss ..... D24/128  
 2002/0079695 A1 6/2002 Campbell et al.  
 2004/0019312 A1 1/2004 Childers et al.  
 2004/0050789 A1 3/2004 Ash  
 2005/0274658 A1 12/2005 Rosenbaum et al.  
 2007/0158247 A1 7/2007 Carr et al.  
 2007/0158249 A1 7/2007 Ash  
 2007/0158268 A1 7/2007 DeComo  
 2007/0161113 A1 7/2007 Ash  
 2007/0161941 A1 7/2007 Ash et al.  
 2007/0181499 A1 8/2007 Roberts et al.  
 2008/0149563 A1 6/2008 Ash  
 2008/0177216 A1 7/2008 Ash  
 2009/0127193 A1 5/2009 Updyke et al.

## FOREIGN PATENT DOCUMENTS

EP	0 673 658	9/1995
EP	1 342 480	9/2003
EP	1 096 991	6/2004
WO	WO 97/02055	1/1997
WO	WO 97/02056	1/1997
WO	WO 98/17333	4/1998
WO	WO 99/37342	7/1999
WO	WO 02/30267	4/2002
WO	WO 02/43859	12/2005
WO	WO 2005/123230	12/2005
WO	WO 2007/028056	3/2007
WO	WO 2007/081383	7/2007
WO	WO 2007/081384	7/2007
WO	WO 2007/081565	7/2007
WO	WO 2007/081576	7/2007

## OTHER PUBLICATIONS

“*Sorbent Dialysis Pimer*,” COBE Renal Care, Inc., Sep. 4, 1993 Ed.  
 Blumenkrantz et al., “*Artif Organs*,” 3(3):230-236, 1978.  
 Operator’s Manual—Fresenius 2008K Hemodialysis Machine  
 (2000).  
 International Search Report and Written Opinion, PCT/US2008/  
 083554, mailed Jul. 24, 2009.

\* cited by examiner

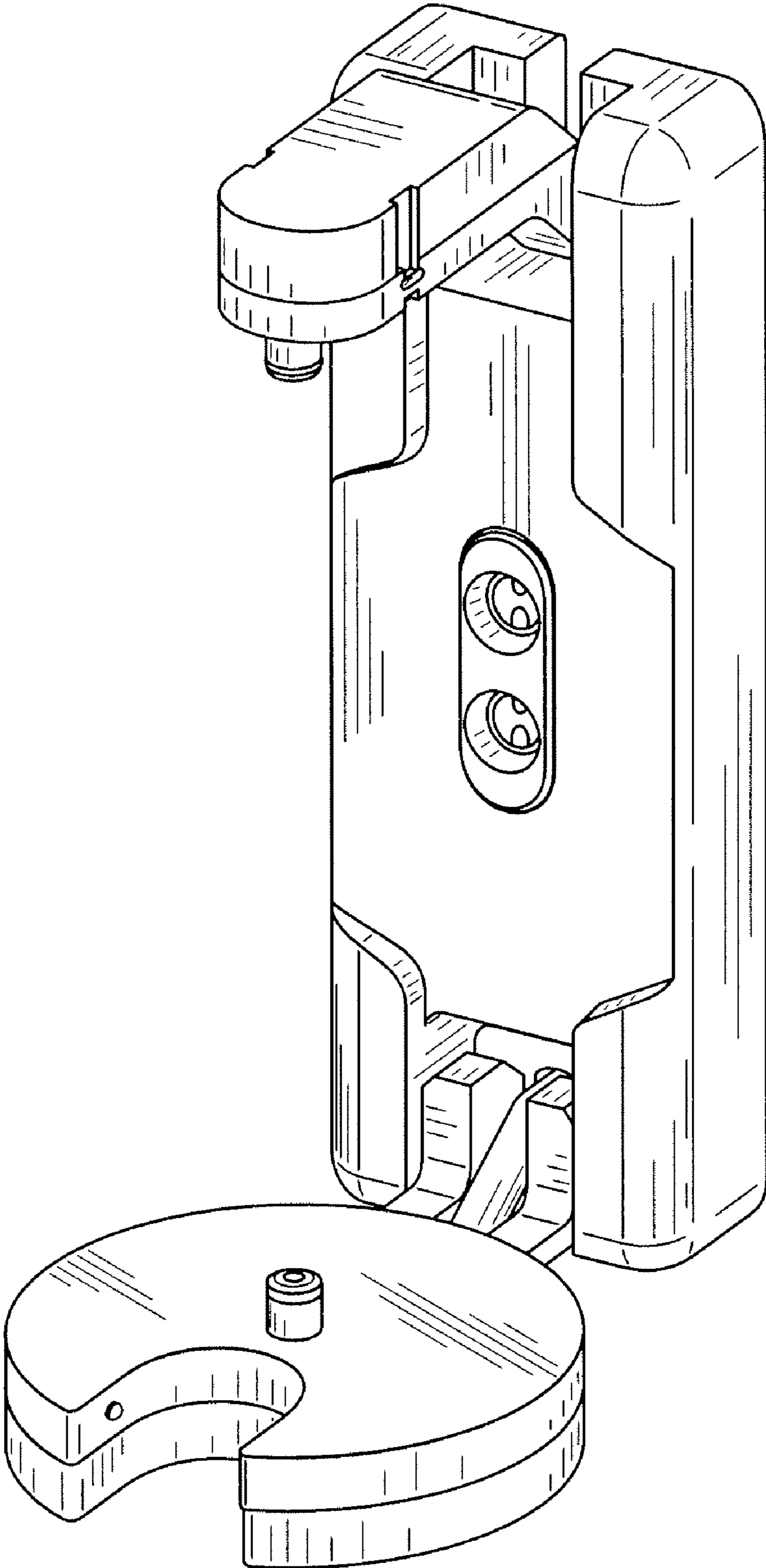


FIG. 1

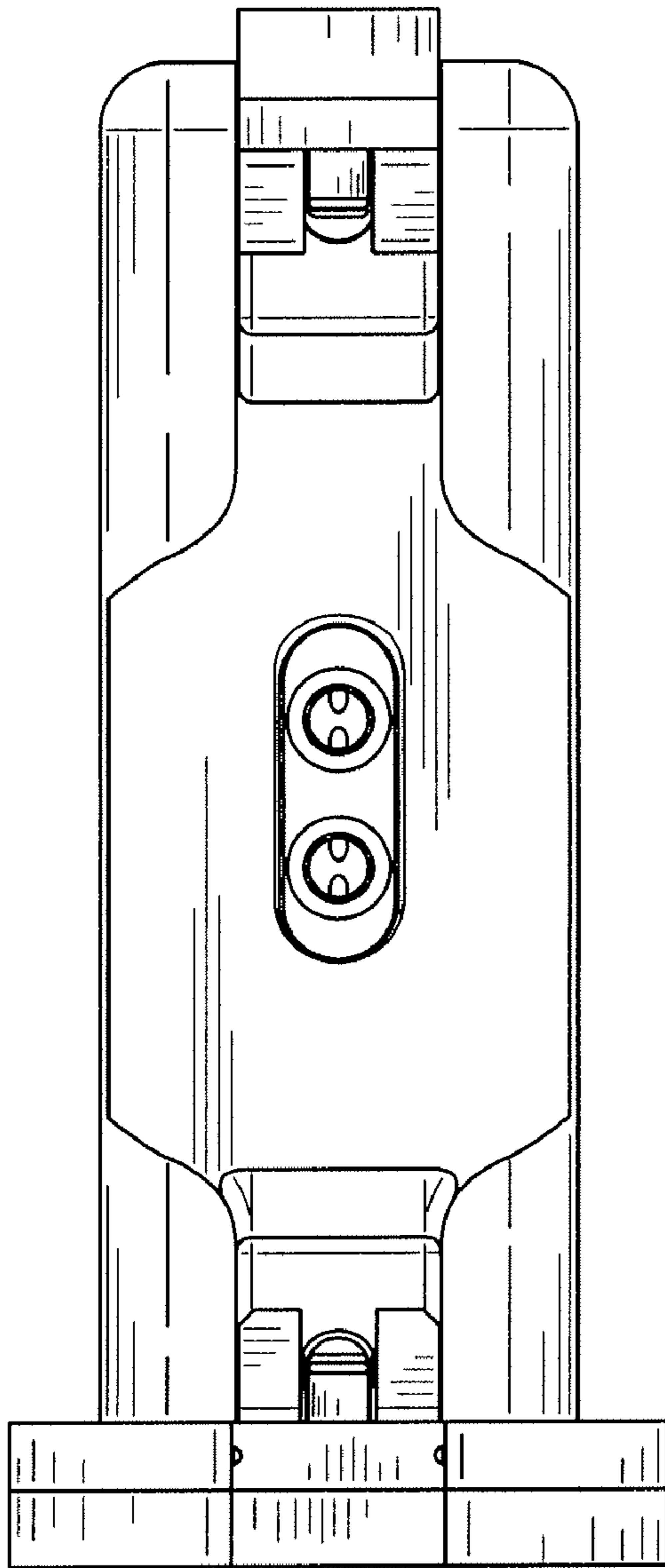


FIG. 2

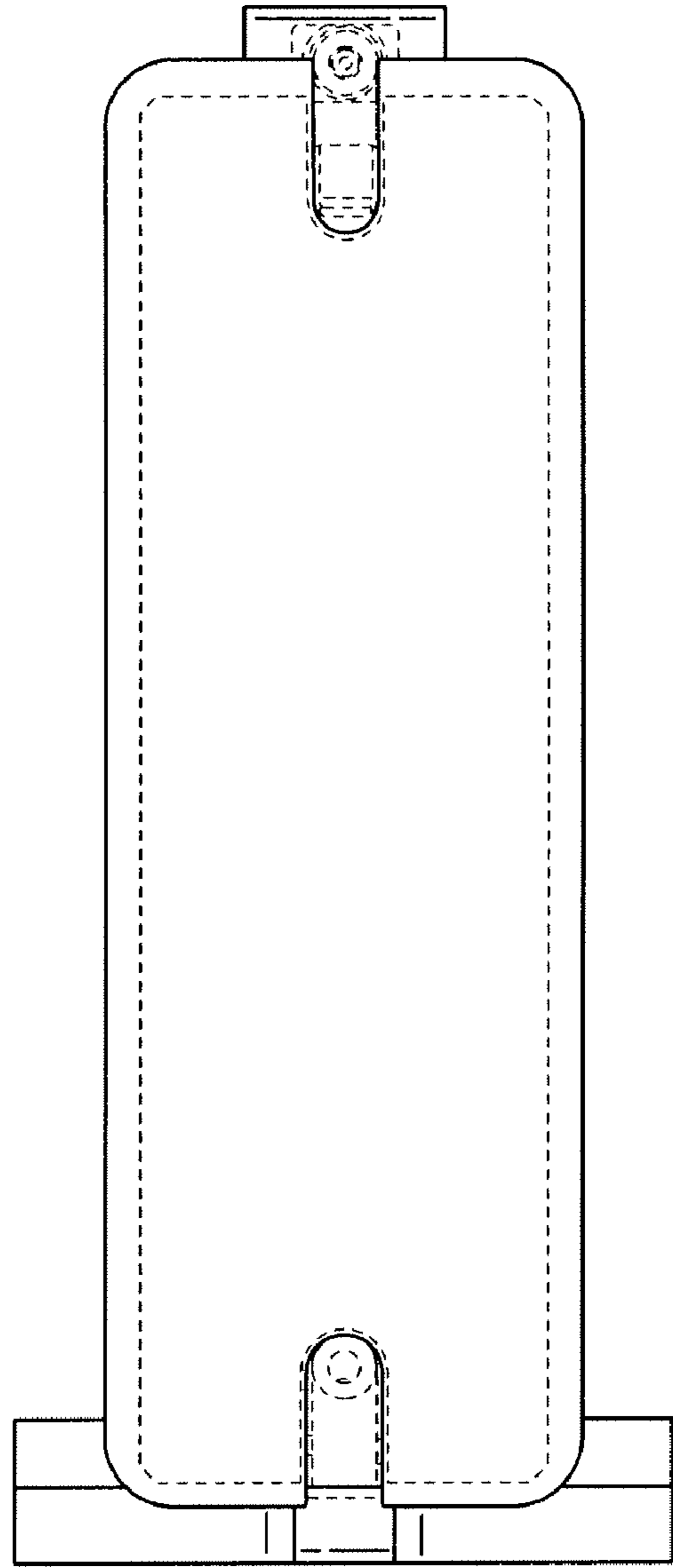


FIG. 3

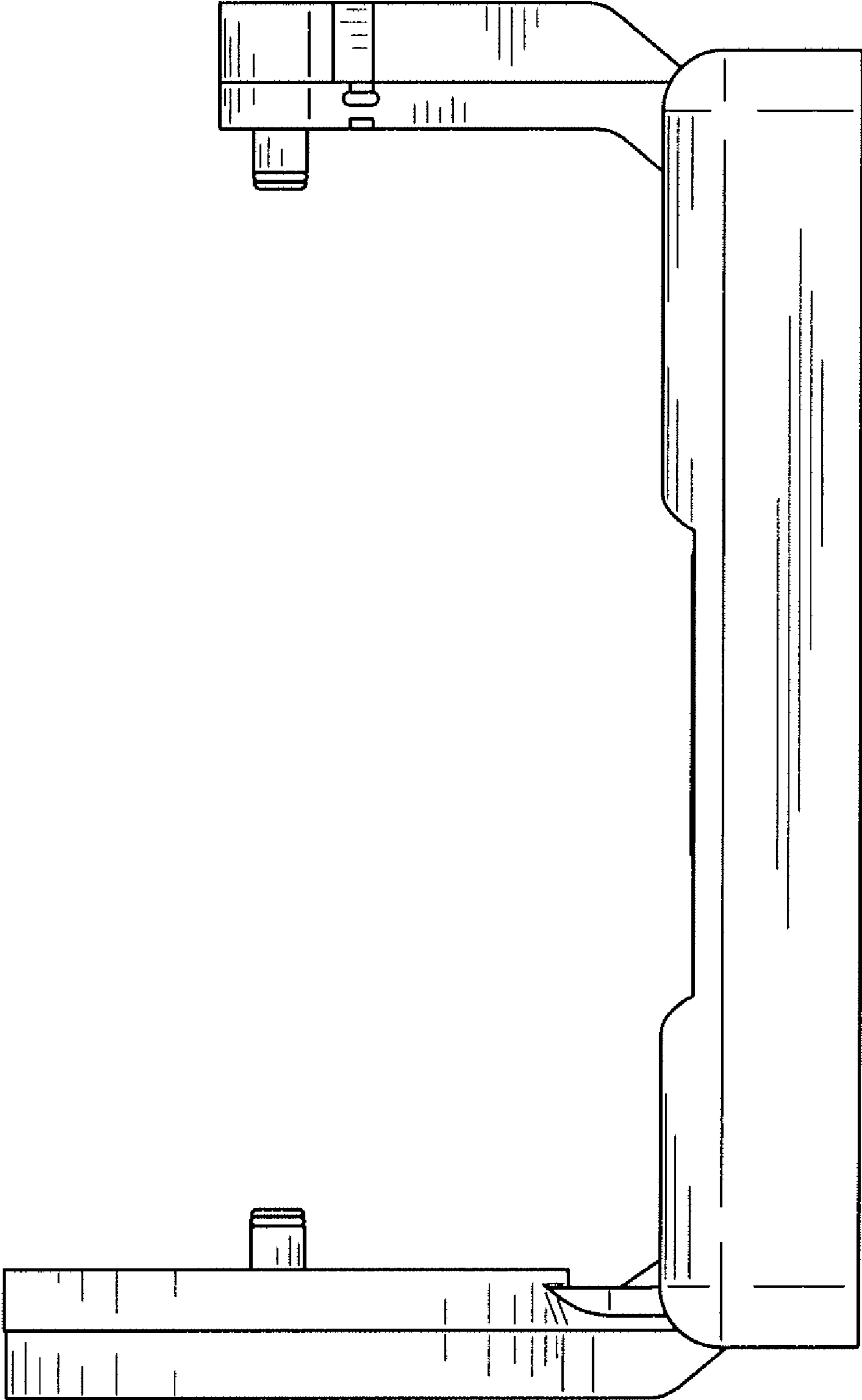


FIG. 4

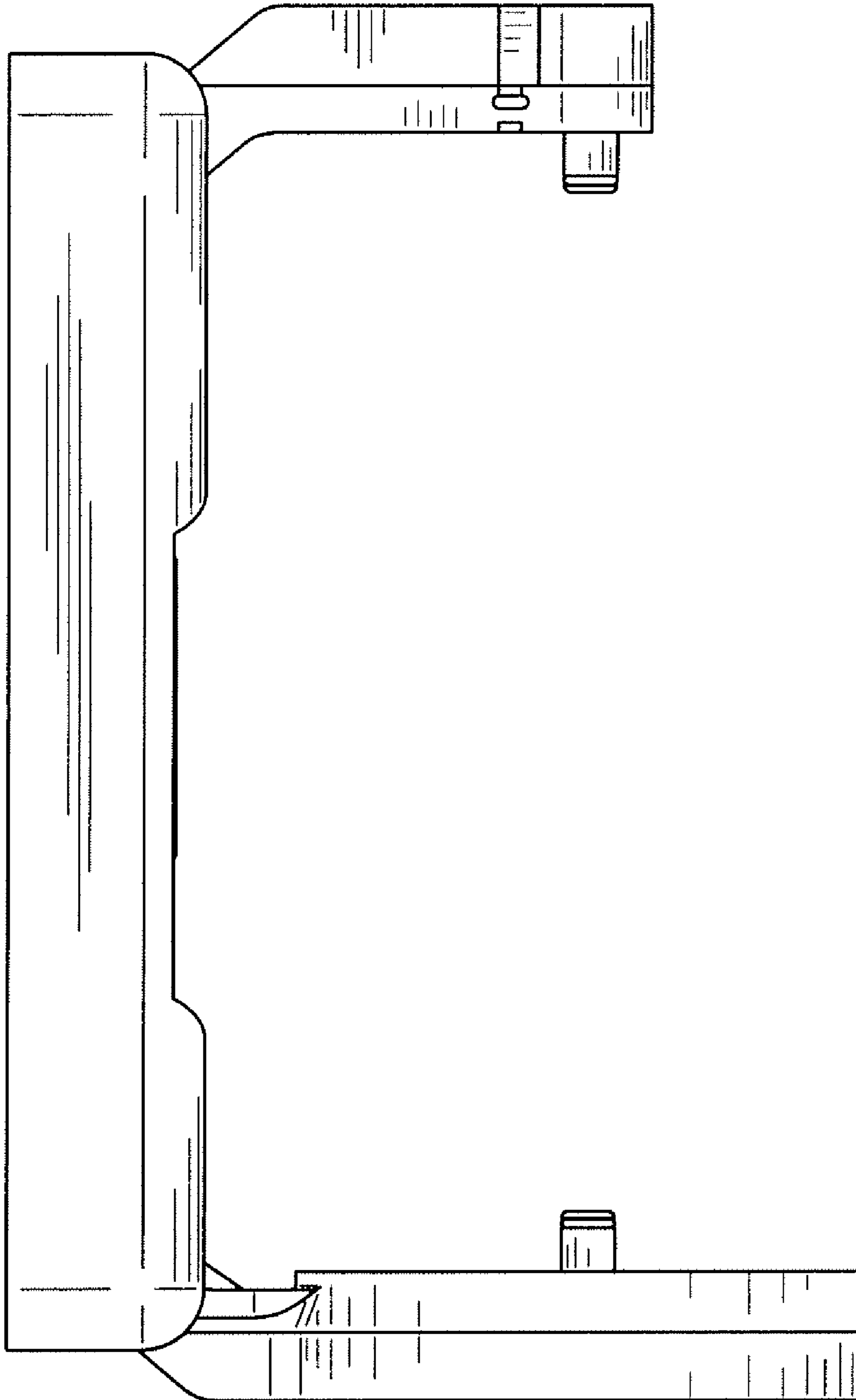


FIG. 5

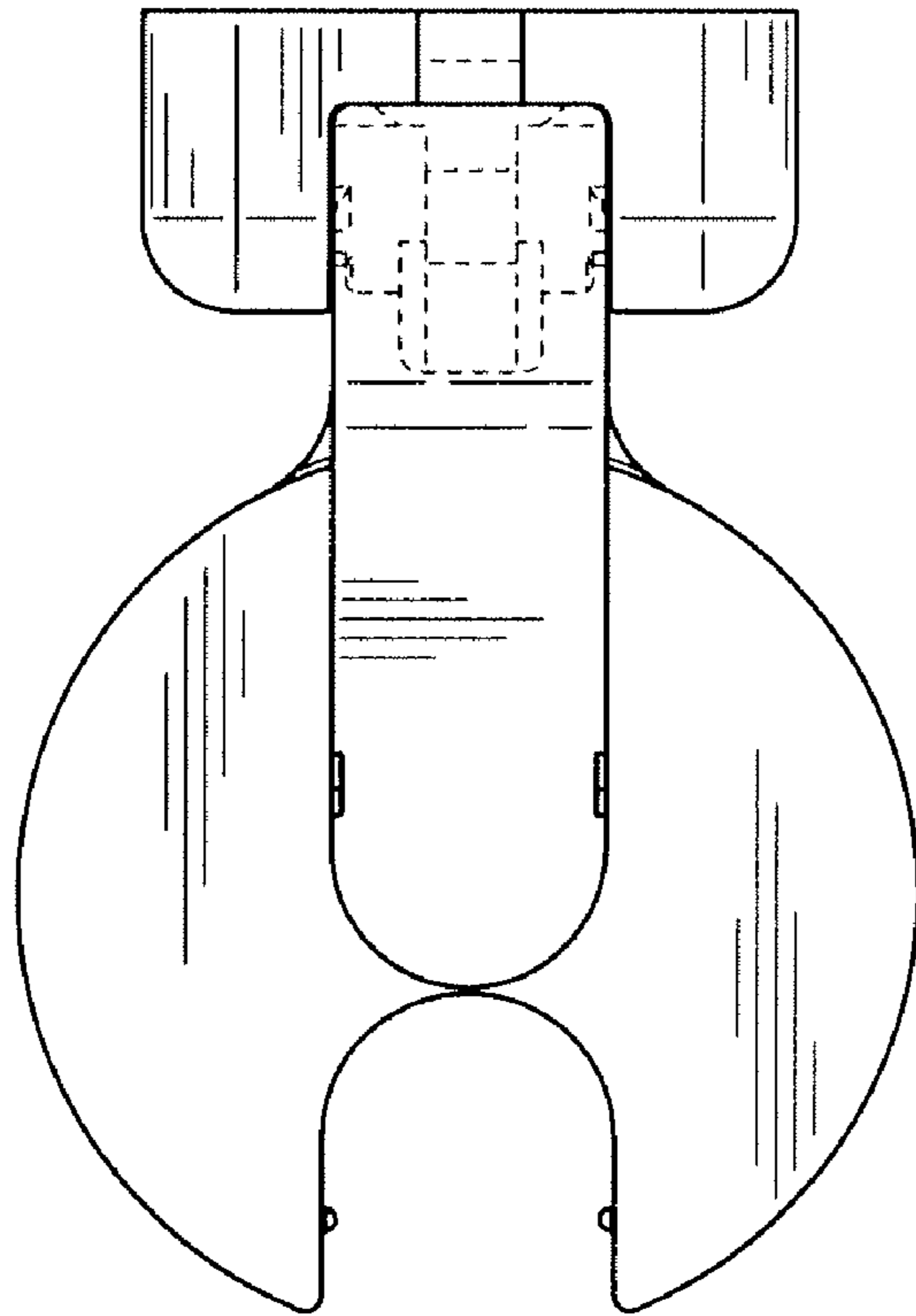


FIG. 6

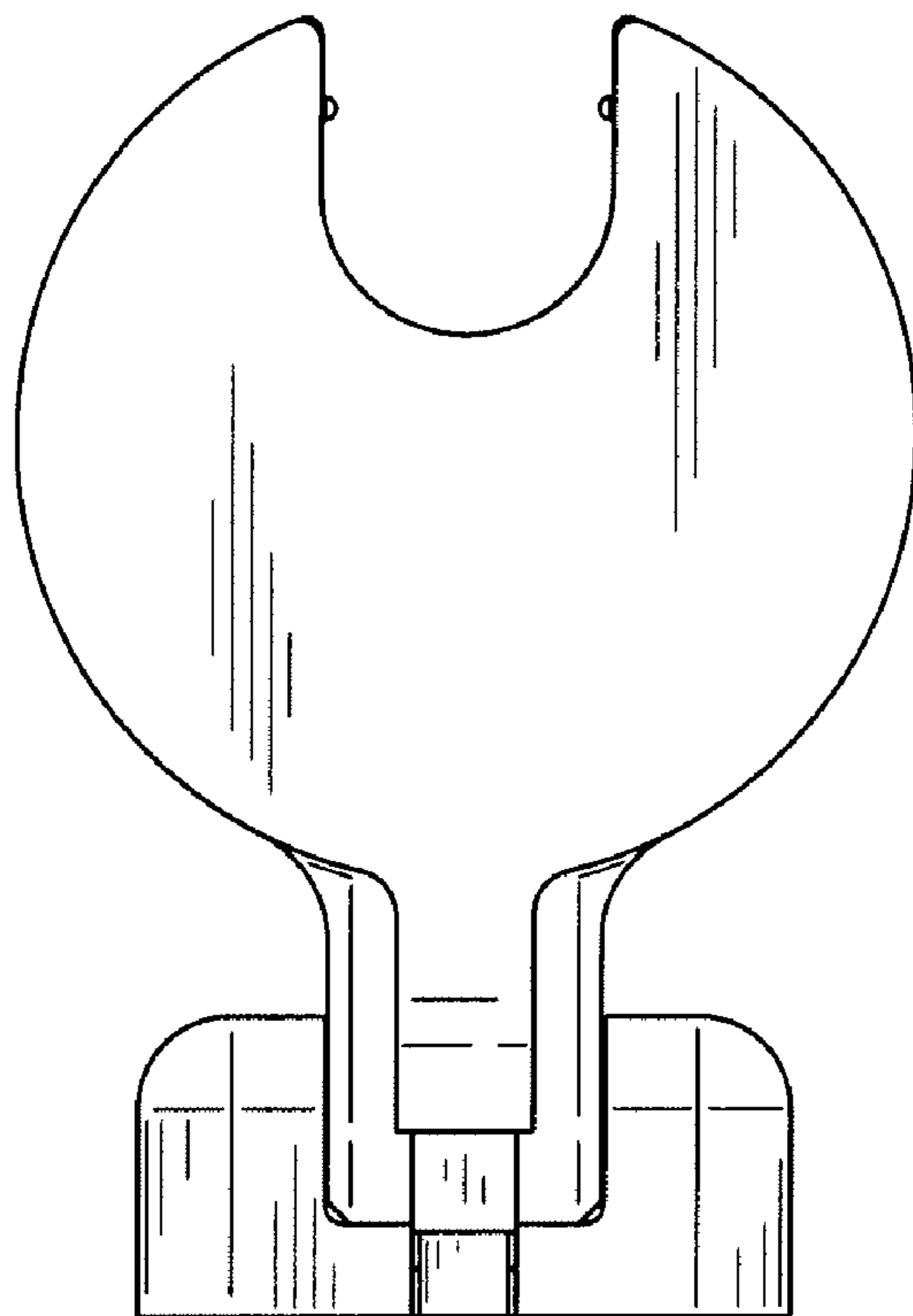


FIG. 7

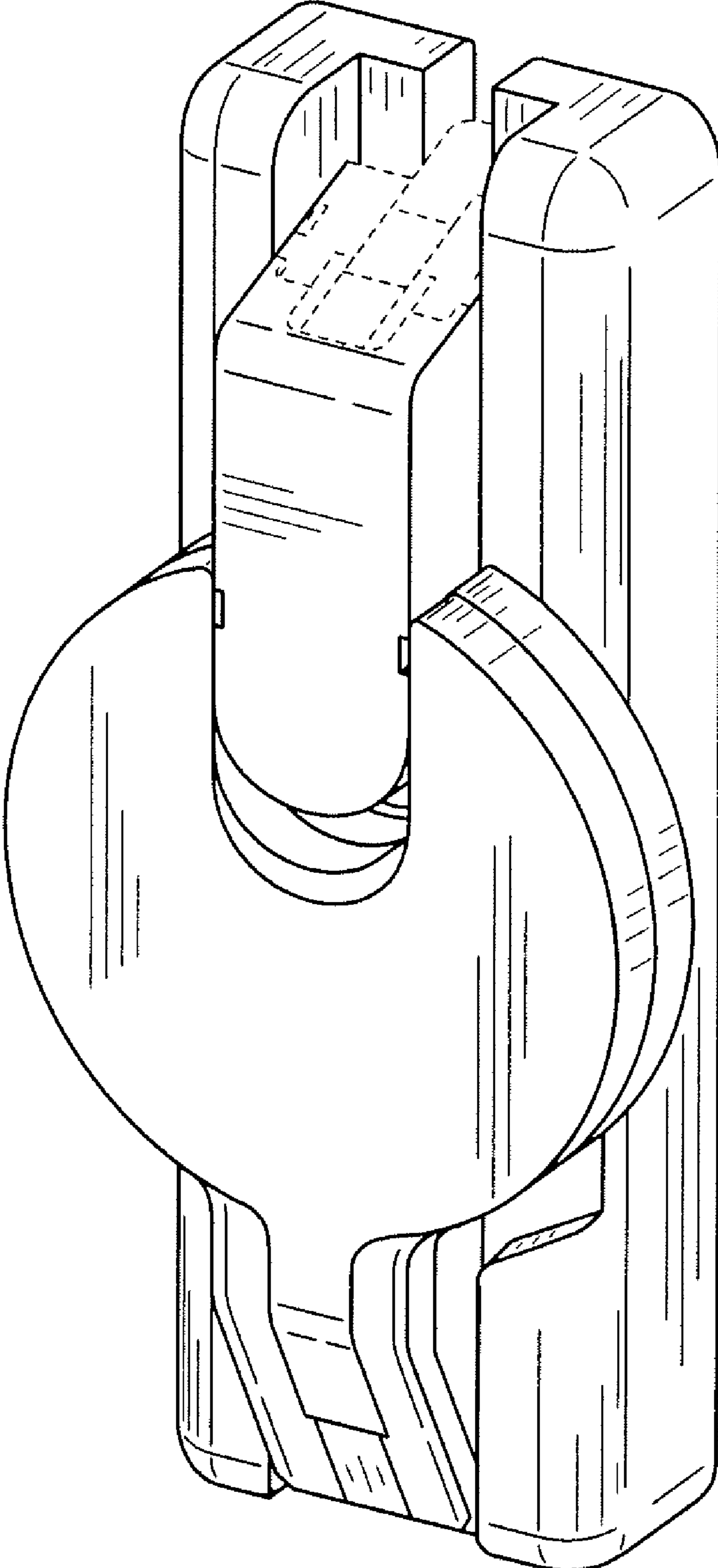


FIG. 8



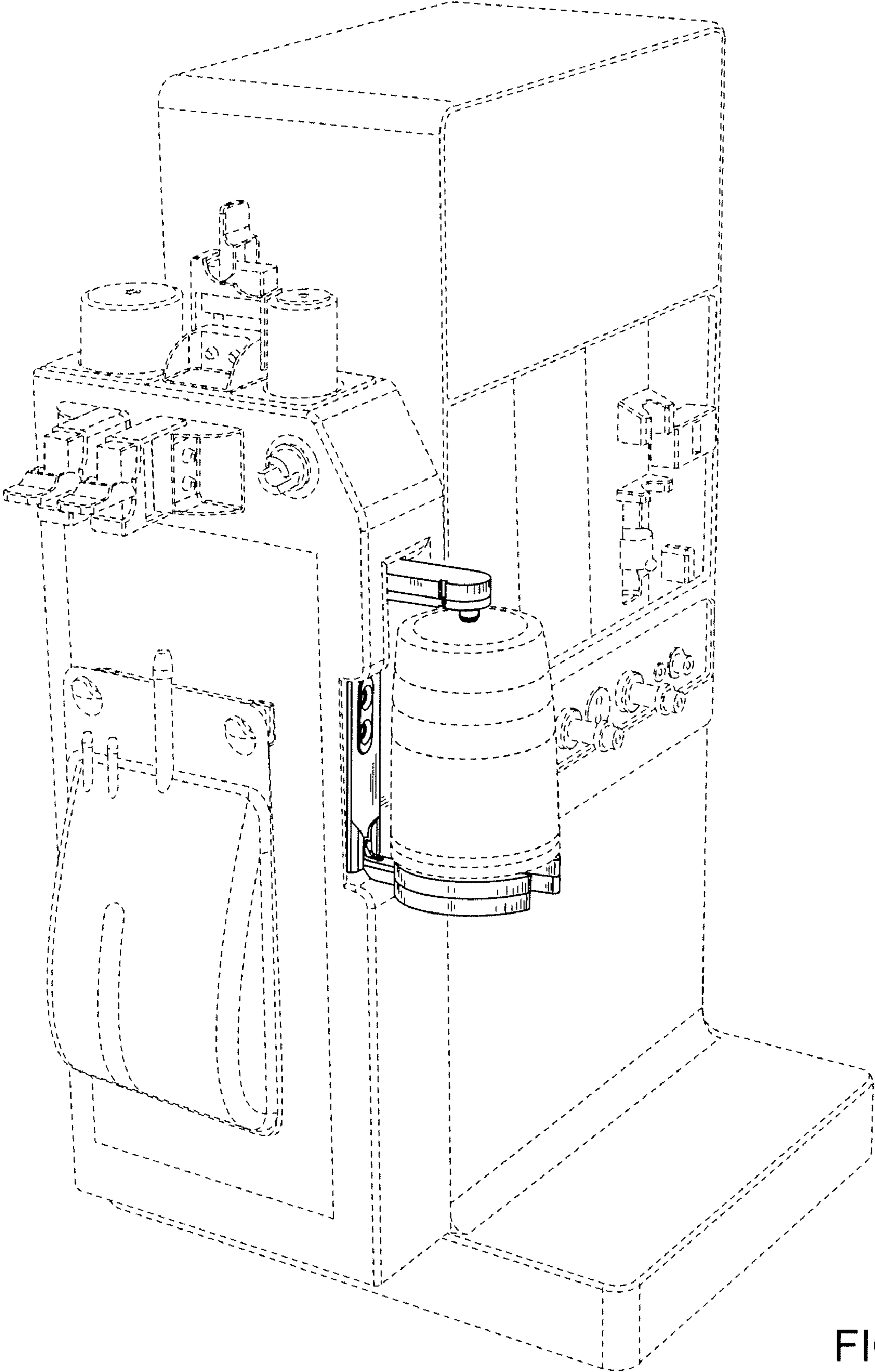


FIG. 9