



US00D611149S

(12) **United States Design Patent**
Riley

(10) **Patent No.:** **US D611,149 S**
(45) **Date of Patent:** **** Mar. 2, 2010**

(54) **STAND UPON PROTECTOR FOR
RADIOLOGICAL CARTRIDGE**

7,581,885 B2 * 9/2009 Ertel et al. 378/206
2008/0292059 A1 * 11/2008 Dobrusskin et al. 378/167

(76) Inventor: **Thomas J. Riley**, 811 Bromfield Ter.,
Manchester, MO (US) 63021

* cited by examiner

Primary Examiner—Ian Simmons

Assistant Examiner—Wan Laymon

(74) *Attorney, Agent, or Firm*—Charles McCloskey

(**) Term: **14 Years**

(21) Appl. No.: **29/302,412**

(57) **CLAIM**

(22) Filed: **Jan. 16, 2008**

The ornamental design for a stand upon protector for radio-
logical cartridge, as shown.

(51) **LOC (9) Cl.** **24-01**

(52) **U.S. Cl.** **D24/158; D24/107**

(58) **Field of Classification Search** D24/107,
D24/158, 183–184, 192, 161; 5/601, 611,
5/618, 624; 378/98.1, 167, 177–178, 192,
378/208, 205; D10/87–92; 177/177, 239–240,
177/245

DESCRIPTION

See application file for complete search history.

FIG. 1 is an isometric view of the stand upon protector for
radiological cartridge of the present invention;

FIG. 2 is a front view of the stand upon protector for radio-
logical cartridge of the present invention;

FIG. 3 is a rear view of the stand upon protector for radio-
logical cartridge of the present invention;

FIG. 4 is a left side view of the stand upon protector for
radiological cartridge of the present invention;

(56) **References Cited**

U.S. PATENT DOCUMENTS

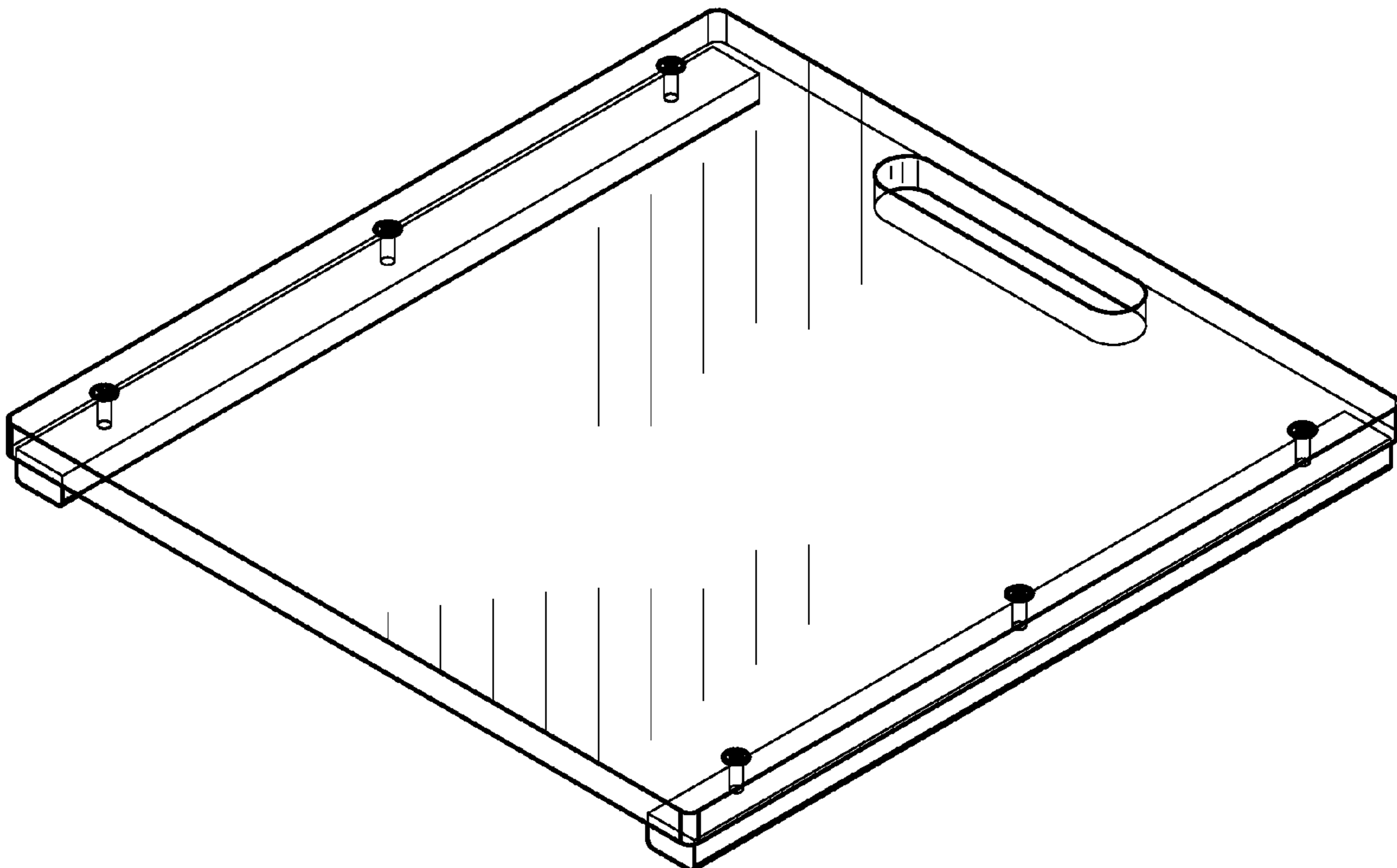
4,095,110	A *	6/1978	Bunch	378/26
D267,513	S *	1/1983	Weigel et al.	D24/183
D289,745	S *	5/1987	Busse	D10/92
5,920,606	A *	7/1999	Sohr	378/177
D450,848	S *	11/2001	Hayashi	D24/158
6,700,126	B2 *	3/2004	Watanabe	250/370.09
6,934,361	B2 *	8/2005	Ohkoda	378/98.8
7,429,131	B2 *	9/2008	Watanabe	378/205
7,478,947	B2 *	1/2009	Kobayashi	378/181
7,527,428	B2 *	5/2009	Riley	378/177

FIG. 5 is a right side view opposite FIG. 4 of the stand upon
protector for radiological cartridge of the present invention;

FIG. 6 is a top view of the stand upon protector for radiologi-
cal cartridge of the present invention; and,

FIG. 7 is a bottom view of the stand upon protector for
radiological cartridge of the present invention.

1 Claim, 5 Drawing Sheets



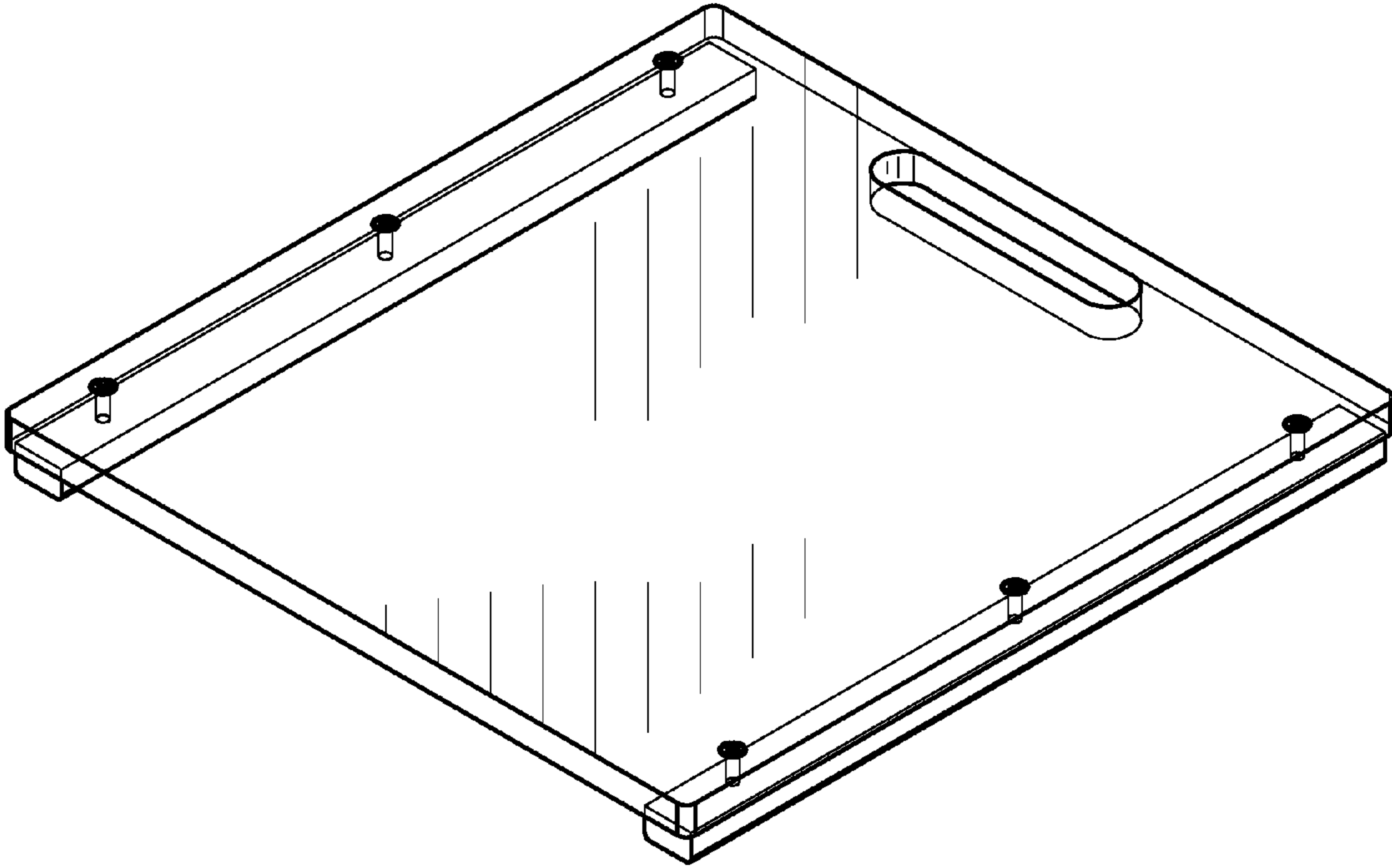


Fig. 1

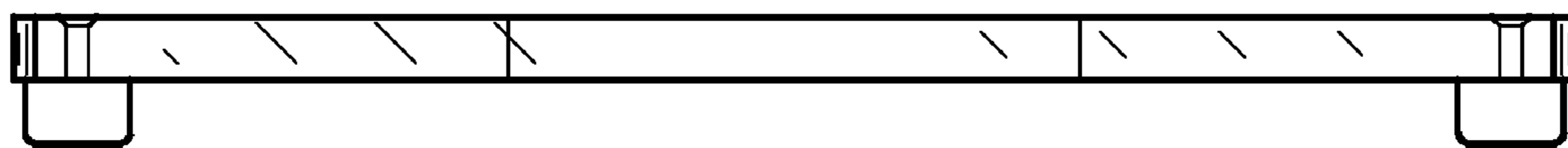


Fig. 2

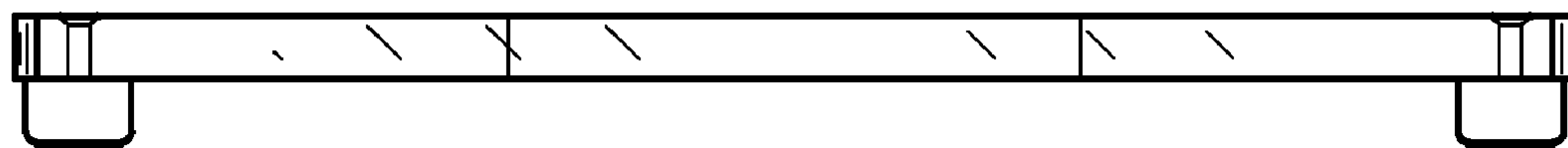


Fig. 3

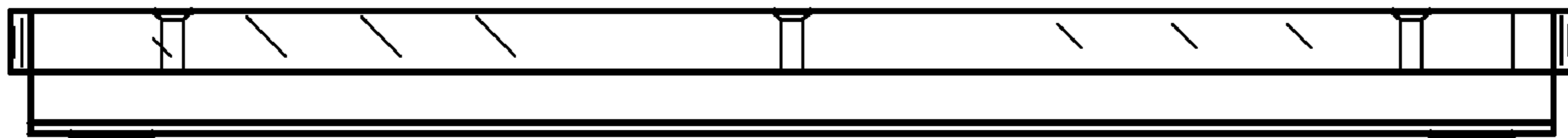


Fig. 4

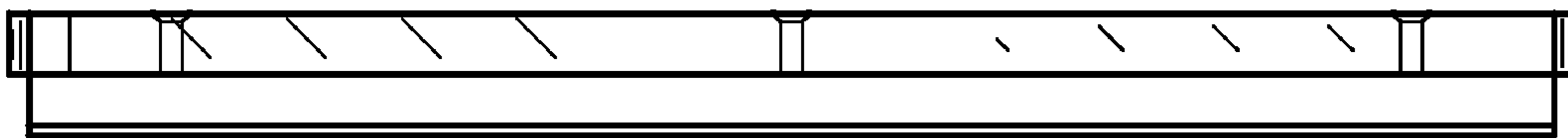


Fig. 5

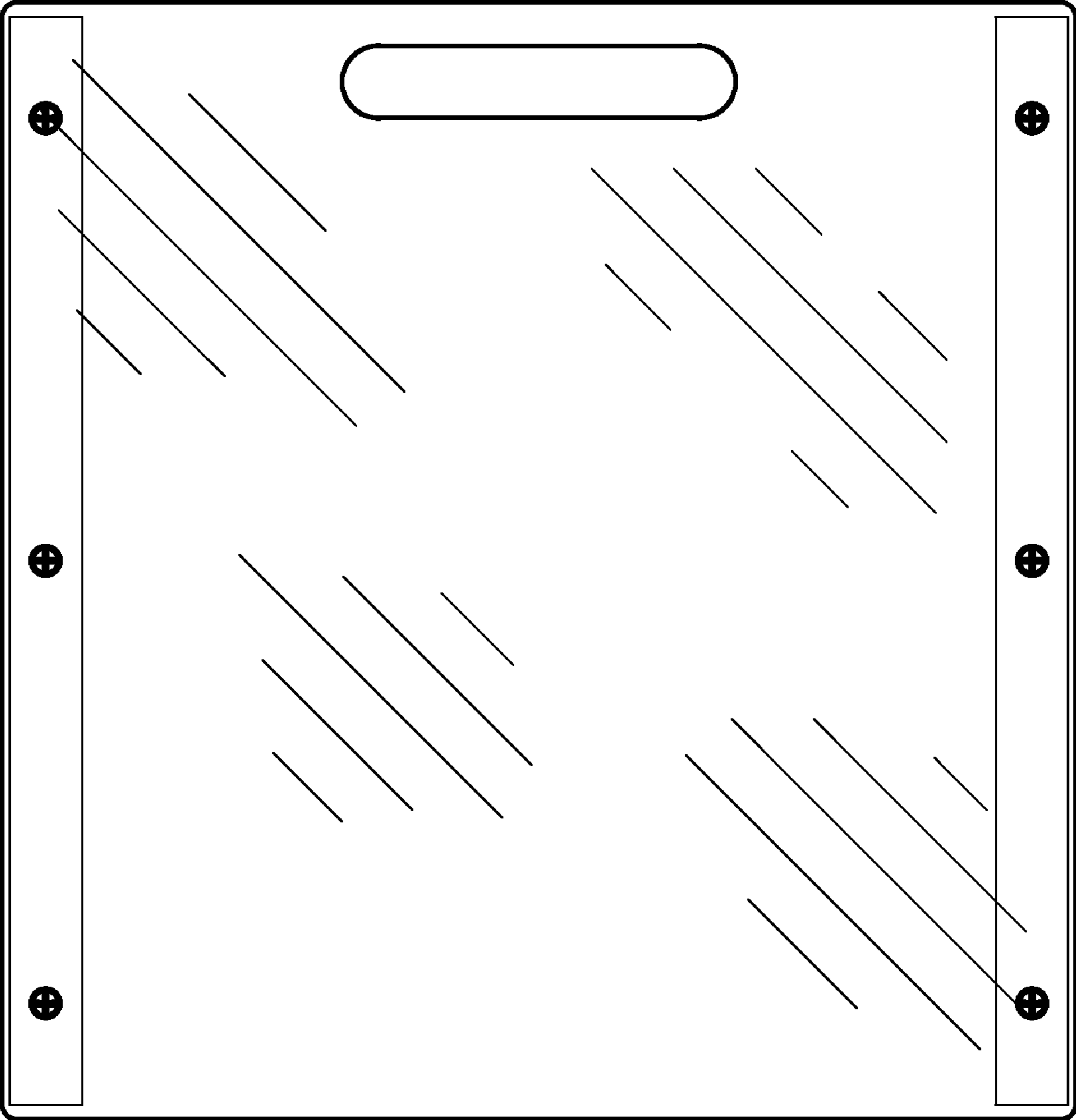


Fig. 6

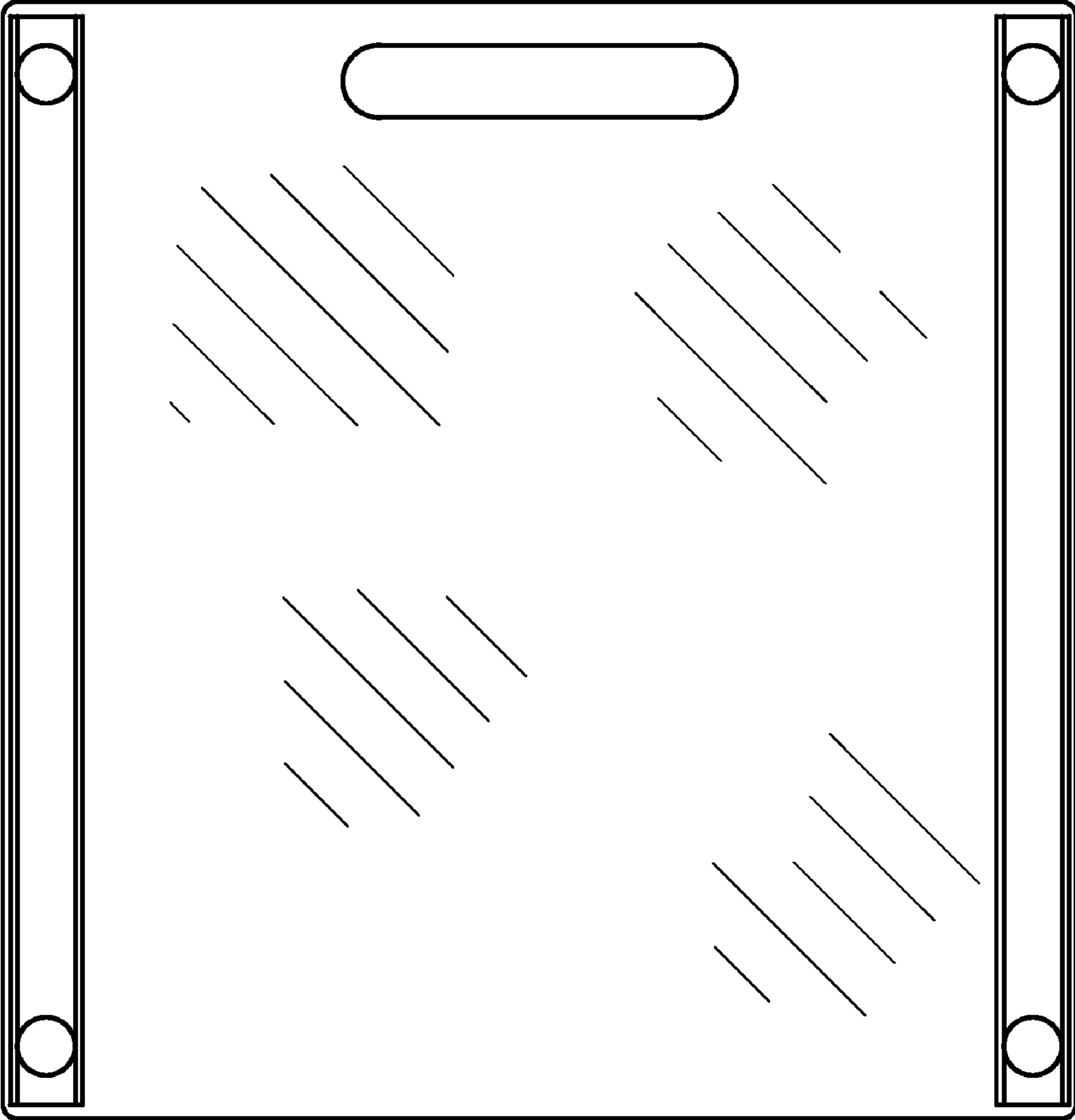


Fig. 7