



US00D611145S

(12) **United States Design Patent**
Khalil et al.

(10) **Patent No.:** **US D611,145 S**
(45) **Date of Patent:** **** Mar. 2, 2010**

(54) **INTRAMEDULLARY MEDICAL DEVICE**

(75) Inventors: **Heidi F. Khalil**, Atlanta, GA (US);
Kenneth A. Gall, Atlanta, GA (US);
James Kurt Jacobus, Atlanta, GA (US)

(73) Assignee: **Medshape Solutions, Inc.**, Atlanta, GA (US)

(**) Term: **14 Years**

(21) Appl. No.: **29/330,286**

(22) Filed: **Jan. 2, 2009**

(51) **LOC (9) Cl.** **24-02**

(52) **U.S. Cl.** **D24/146**

(58) **Field of Classification Search** D24/133,
D24/145-147, 155; 606/53, 60, 62, 64, 67,
606/95

See application file for complete search history.

(56) **References Cited**

U.S. PATENT DOCUMENTS

5,034,013	A *	7/1991	Kyle et al.	606/62
5,505,734	A *	4/1996	Caniggia et al.	606/64
D379,855	S *	6/1997	Perry	D24/145
5,658,287	A *	8/1997	Hofmann et al.	606/64
5,766,174	A *	6/1998	Perry	606/62
5,855,579	A *	1/1999	James et al.	606/62
6,123,708	A *	9/2000	Kilpela et al.	606/62
6,168,595	B1 *	1/2001	Durham et al.	606/64

6,261,290	B1 *	7/2001	Friedl	606/64
6,488,684	B2 *	12/2002	Bramlet et al.	606/62
6,808,527	B2 *	10/2004	Lower et al.	606/62
6,921,400	B2 *	7/2005	Sohngen	606/64
D604,846	S *	11/2009	Hintermann	D24/146
2008/0287949	A1 *	11/2008	Keith et al.	606/62
2008/0300597	A1 *	12/2008	Morgan et al.	606/62

* cited by examiner

Primary Examiner—Ian Simmons

Assistant Examiner—Wan Laymon

(74) *Attorney, Agent, or Firm*—Greenberg Traurig, LLP

(57) **CLAIM**

The ornamental design for an intramedullary medical device, as shown and described.

DESCRIPTION

FIG. 1 is a perspective view of a new design for an intramedullary medical device;

FIG. 2 is an enlarged fragmentary perspective view of the proximal head thereof taken from "FIG. 2" in FIG. 1;

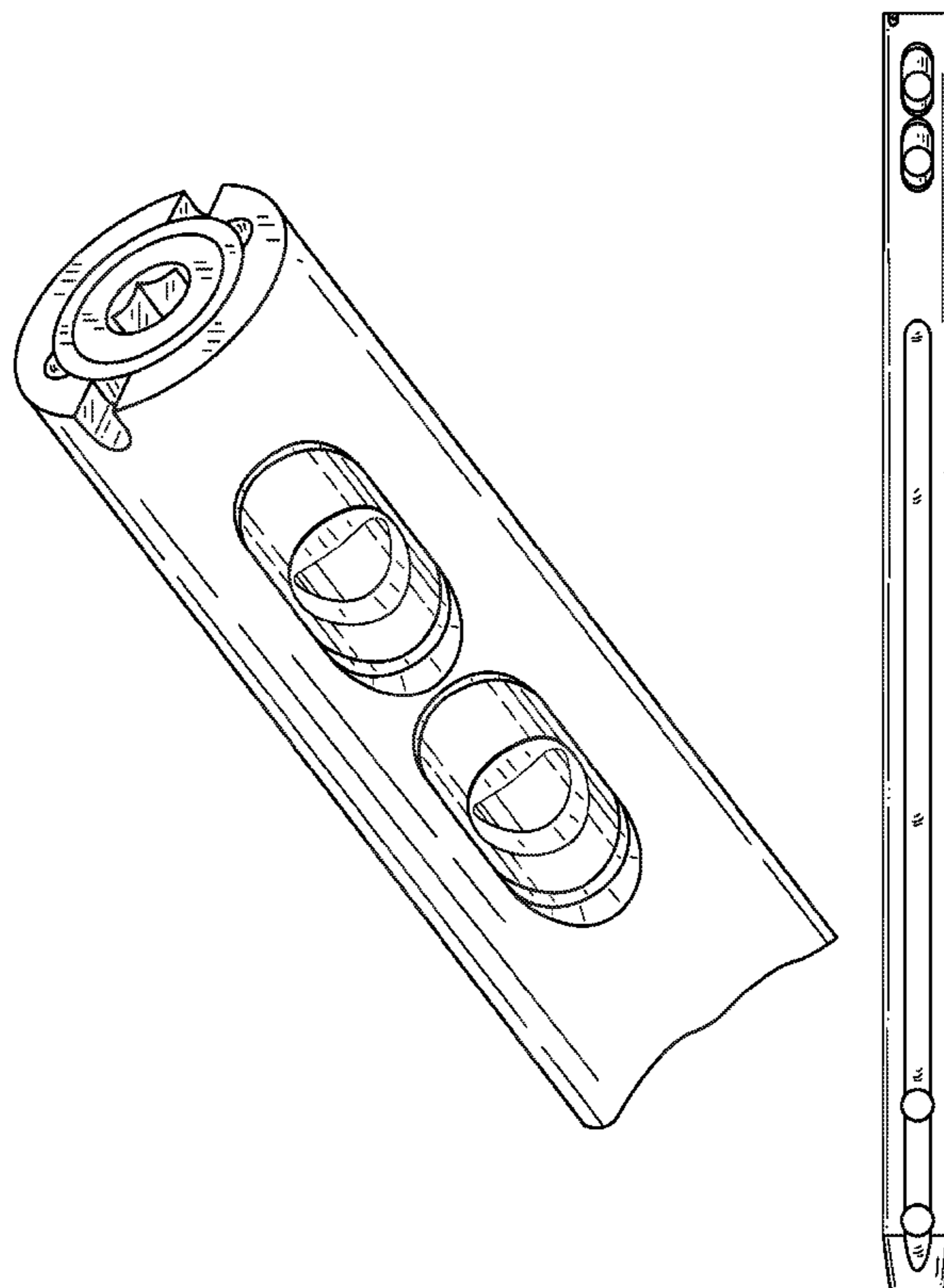
FIG. 3 is a front side view thereof, the rear side view thereof being identical in appearance;

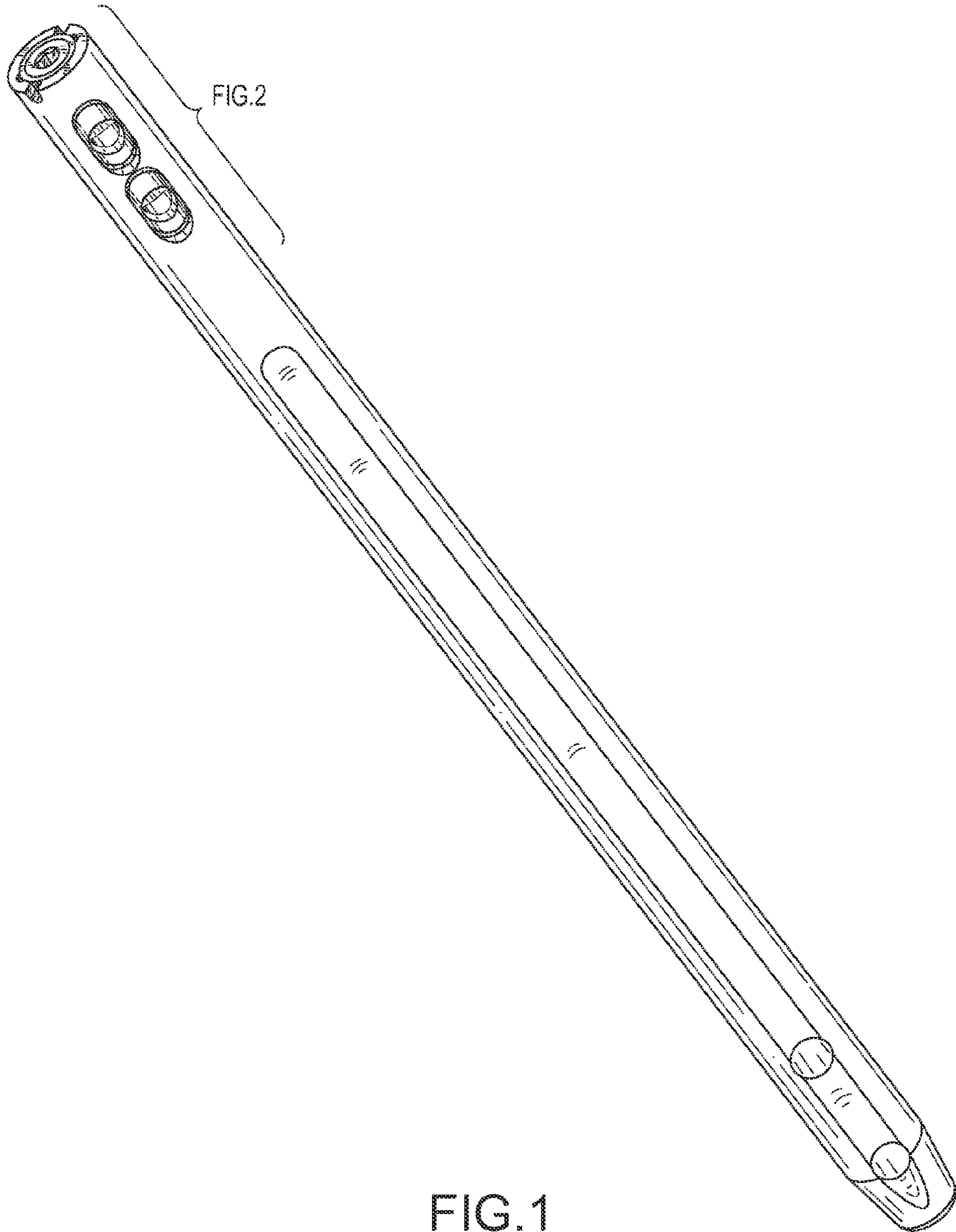
FIG. 4 is a right side view thereof, the left side view thereof being identical in appearance;

FIG. 5 is an enlarged bottom view thereof; and,

FIG. 6 is an enlarged top view thereof.

1 Claim, 4 Drawing Sheets





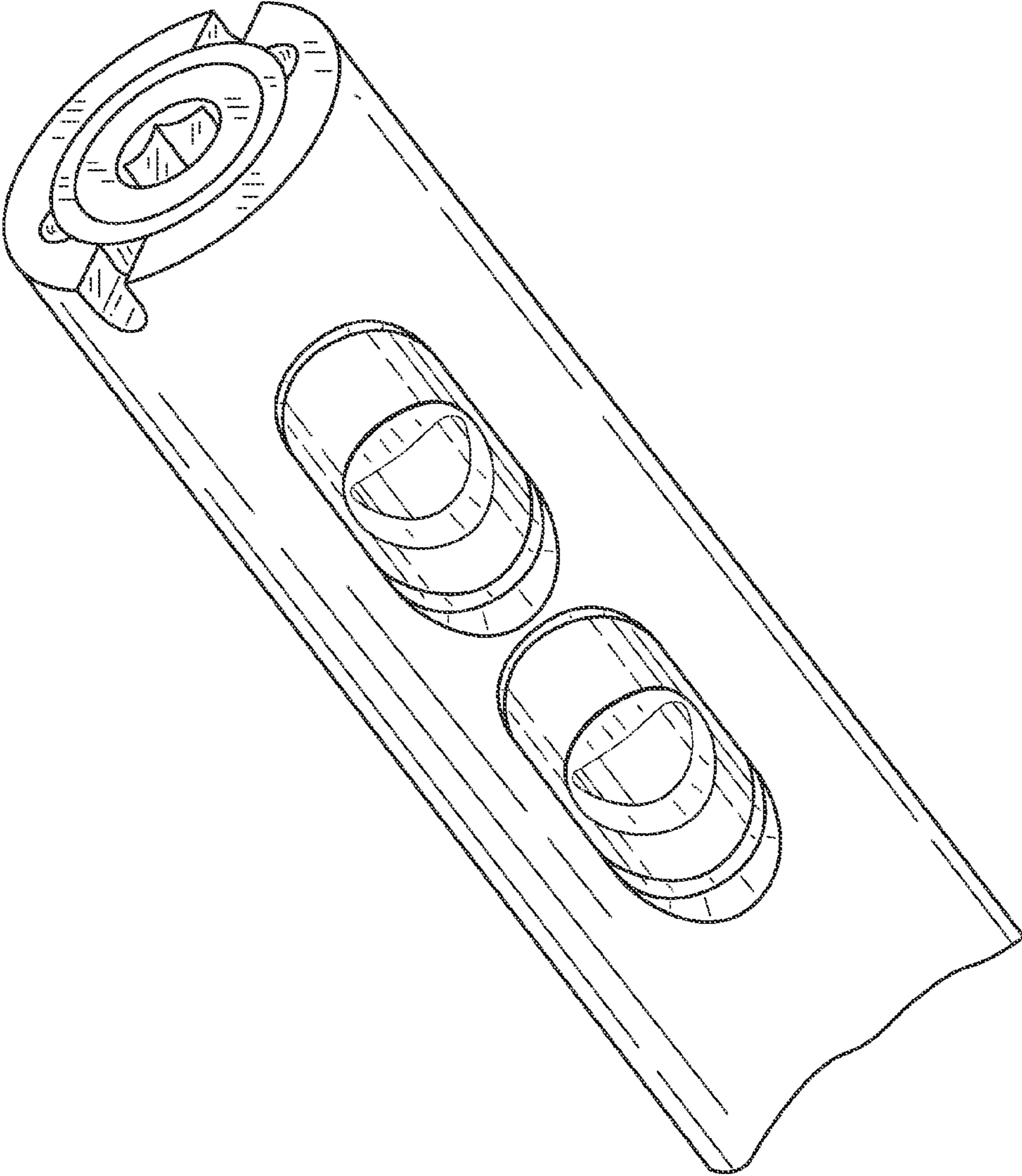


FIG.2

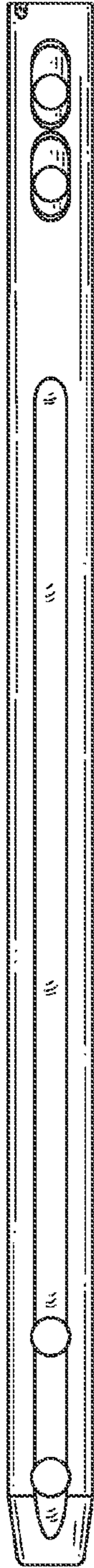


FIG.3



FIG.4

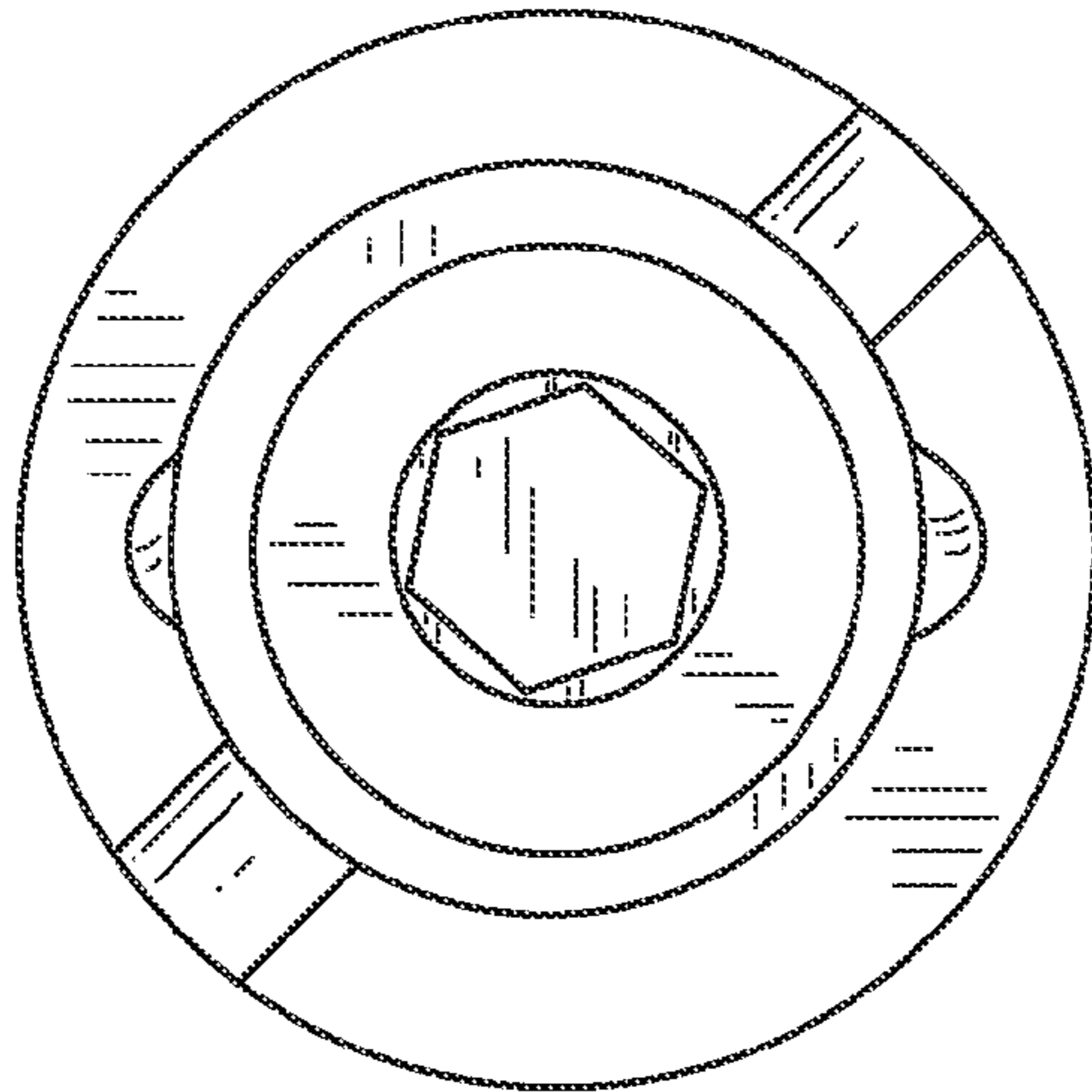


FIG. 5

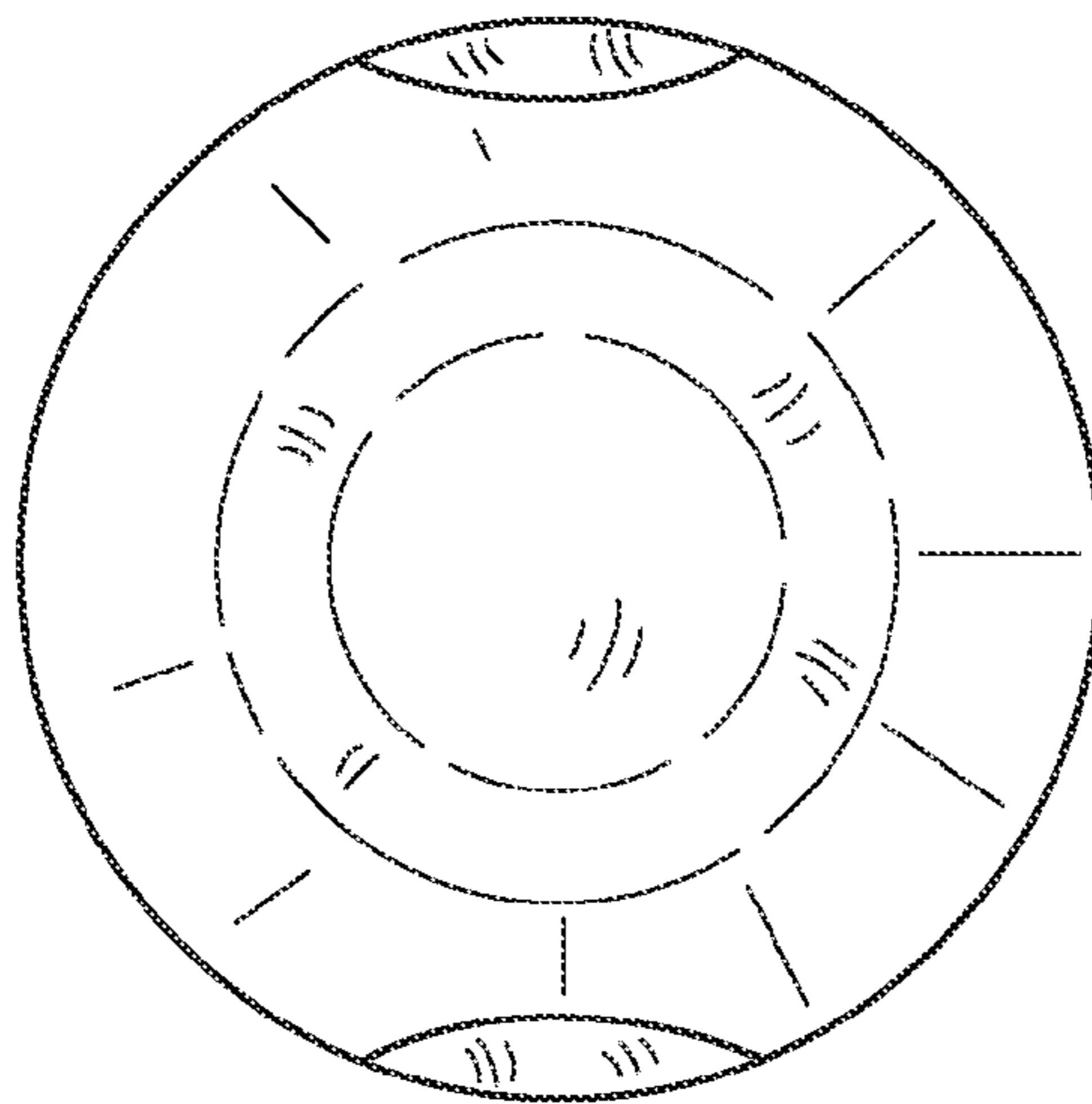


FIG. 6